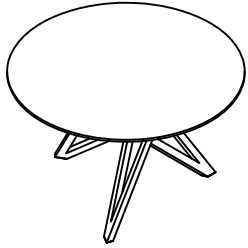
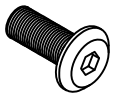


INSTALLATION INSTRUCTION

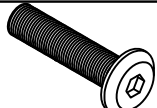
PRODUCT NAME



HARDWARE



M8*20 Screw
(A)*3

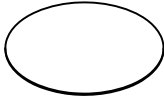



M8*40 Screw
(B)*3

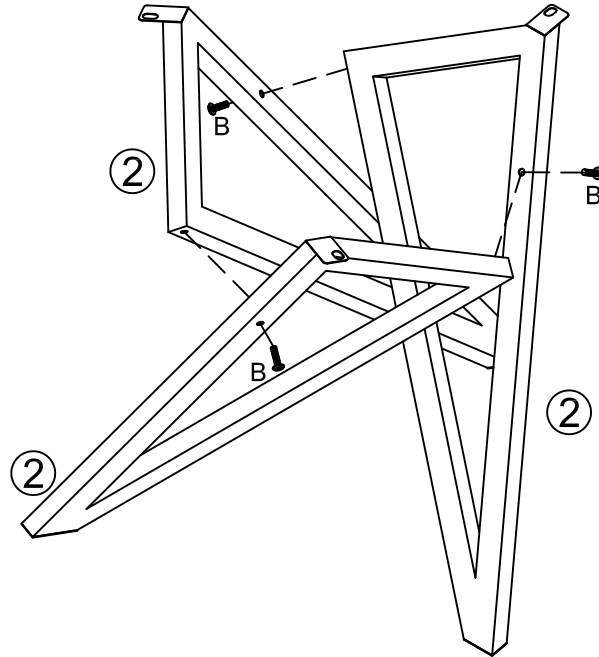


M5 Wrench
(C)*1

COMPONENTS

①	Desktop		1pcs
②	Foot		3pcs

STEP 1:



STEP 2:

