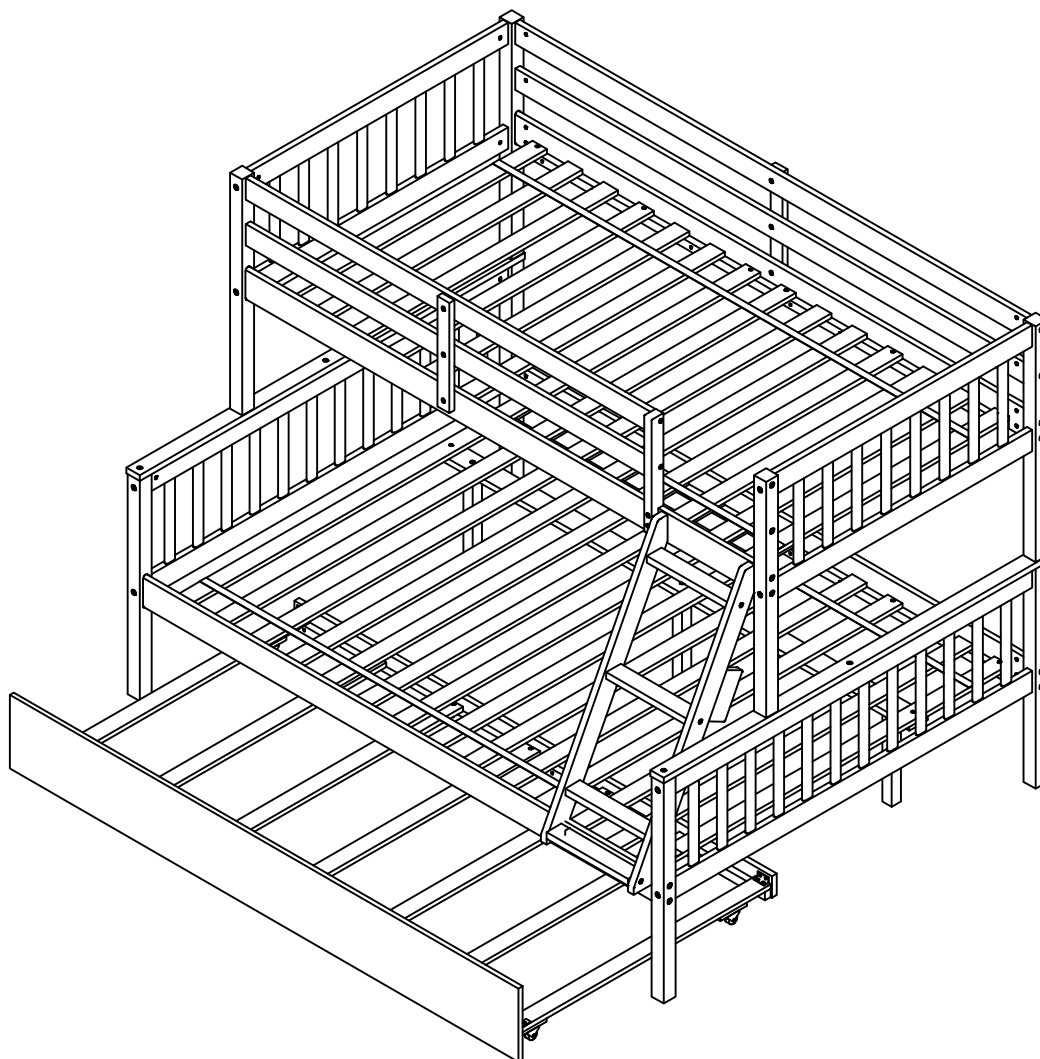


ASSEMBLY INSTRUCTIONS

TWIN/FULL BUNK BED WITH TRUNDLE



DN11715



SAFETY WARNING



1. This bed is designed for use only mattress (es) meeting the following specifications on the upper bunk, and lower bunk:

Down bed

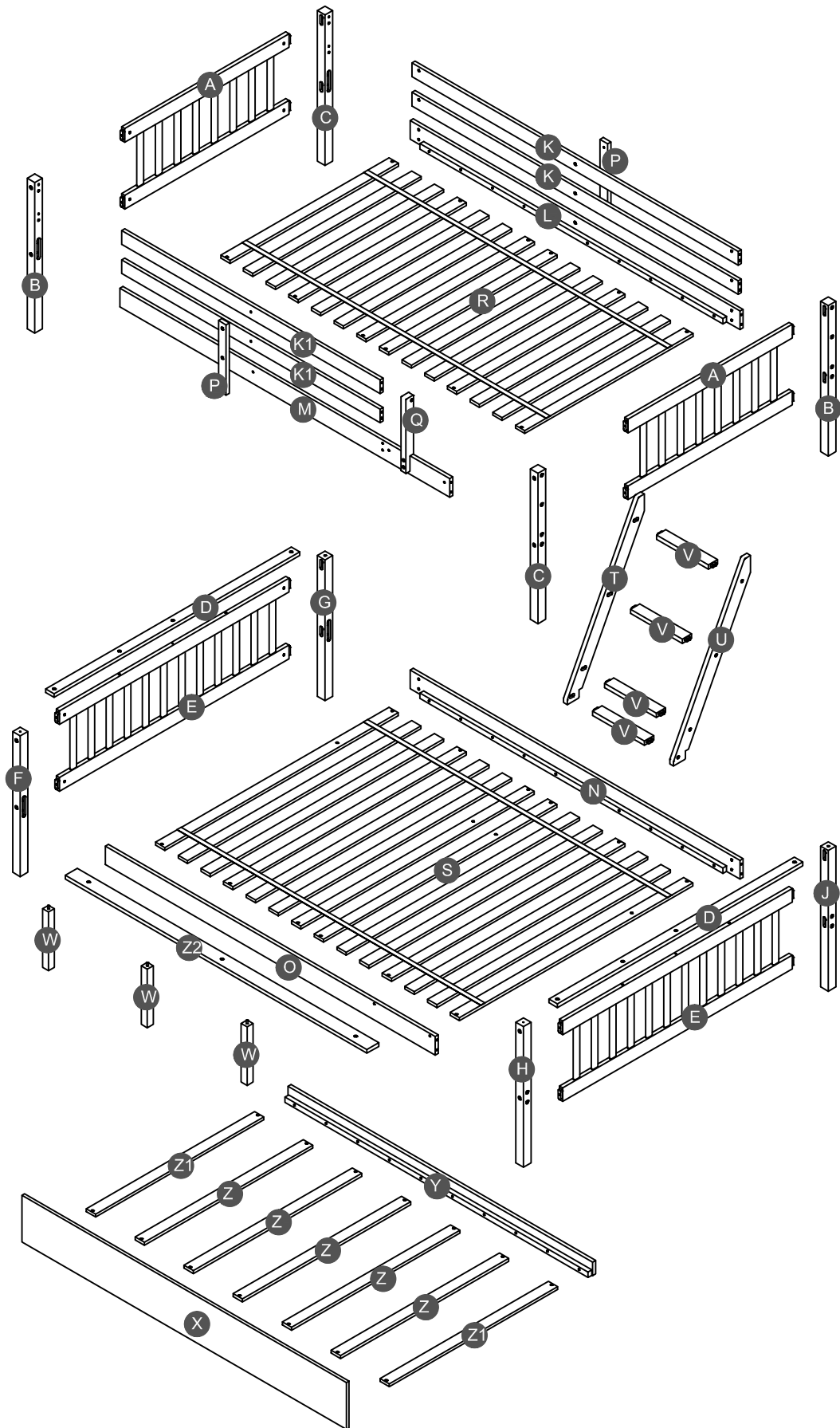
| Bed type | Length | With | Thickness |
|---------------|---------|---------|-----------|
| Full Standard | 74"-75" | 53 1/2" | 8" max |

Up bed (Bunk bed and tribed included)

| Bed type | Length | With | Thickness |
|---------------|---------|---------|-----------|
| Twin Standard | 74"-75" | 38 1/2" | 6" max |

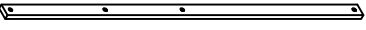
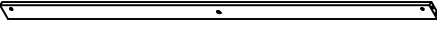
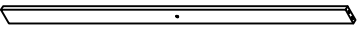

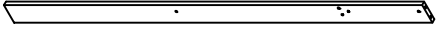


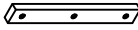
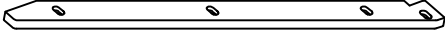
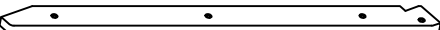
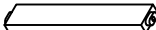
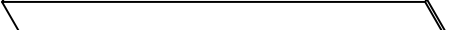

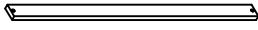
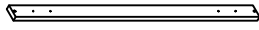
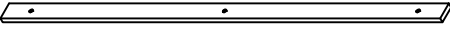
2. Replacement parts, including additional guardrails, maybe obtained from any of our FREIGHTMAN EC CO.,LTD.
3. Follow the information on the warnings appearing on the upper bunk bed end structure and on the carton. Do not remove warning label from bed.
4. Always use the recommended size mattresses or mattress supports, or both, to help prevent the likelihood of entrapment or falls.
5. Surface of mattress must be at least 5" (127mm) below the upper edge of guardrails.
6. Do not allow children under 6 years of age to use the upper bunk.
7. Periodically check and ensure that the guardrail, ladder, and other components are in their proper position, free from damage, and that all connectors are tight.
8. Do not allow horseplay on or under the bed and prohibit jumping on the bed.
9. Always use the ladder for entering and leaving the upper bunk.
10. Do not use substitute part. Contact the manufacture or dealer for replacement part.
11. Use of a night light may provide added safety precaution for a child using the upper bunk.
12. Always use guardrails on both long sides of the upper bunk. If the bunk bed will be placed next to the wall, the guardrail that runs the full length of the bed should be placed against the wall to prevent entrapment between the bed and wall.
13. The use of water or sleep flotation mattresses is prohibited.
14. STRANGULATION HAZARD - Never attach or hang items to any part of the bunk bed that are not designed for use with the bed; for example, but not limited to, hook, belts and jump ropes.
15. Keep these instruction for future reference.

Detail View

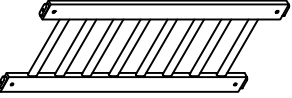


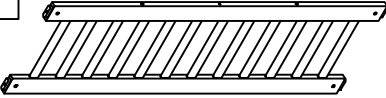


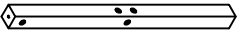

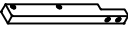
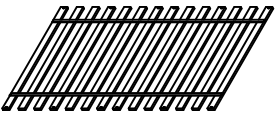
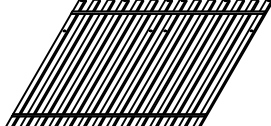
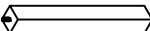


Part List

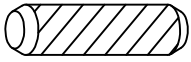
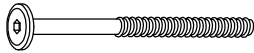
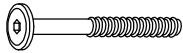






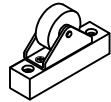
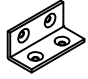
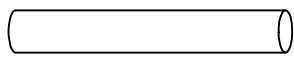

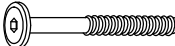

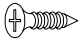
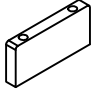
DN11715(2-1)

| | | |
|---|---|---|
| D  Cap for lower HB&FB - 2pcs | K  Long guard rail (back) - 2pcs | K1  Short guard rail (front) - 2pcs |
| L  Upper side rail (Back) -1pc | M  Upper side rail (Front) -1pc | N  Lower side rail (Back) -1pc |
| O  Lower side rail (Front) -1pc | P  Vertical guard rail - 2pcs | T  Ladder (Left) - 1pc |
| U  Ladder (Right) - 1pc | V  Step ladder - 4pcs | X  Front panel of trundle - 1pc |
| Y  Back panel of trundle - 1pc | Z  Trundle slats - 5pcs | Z1  Trundle slats - 2pcs |
| Z2  Lower support slat - 1pc | | |

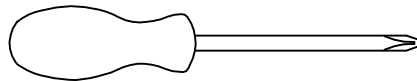
Hardware List DN11715(2-2)

| | | |
|--|---|--|
| A  Upper (HB/FB) - 2pcs | B  Upper leg(Left Front /Right Back) - 2pcs | C  Upper leg (Left Back/Right Front)- 2pcs |
| E  Lower (HB/FB) - 2pcs | F  Lower leg (Left Front) - 1pc | G  Lower leg (Left Back) - 1pc |
| H  Lower leg (Right Front) - 1pc | J  Lower leg (Right Back) - 1pc | Q  Support guard rail - 1pc |
| R  Upper slats - 14pcs | S  Lower slats - 14pcs | W  Leg support- 3pcs |

Hardware List

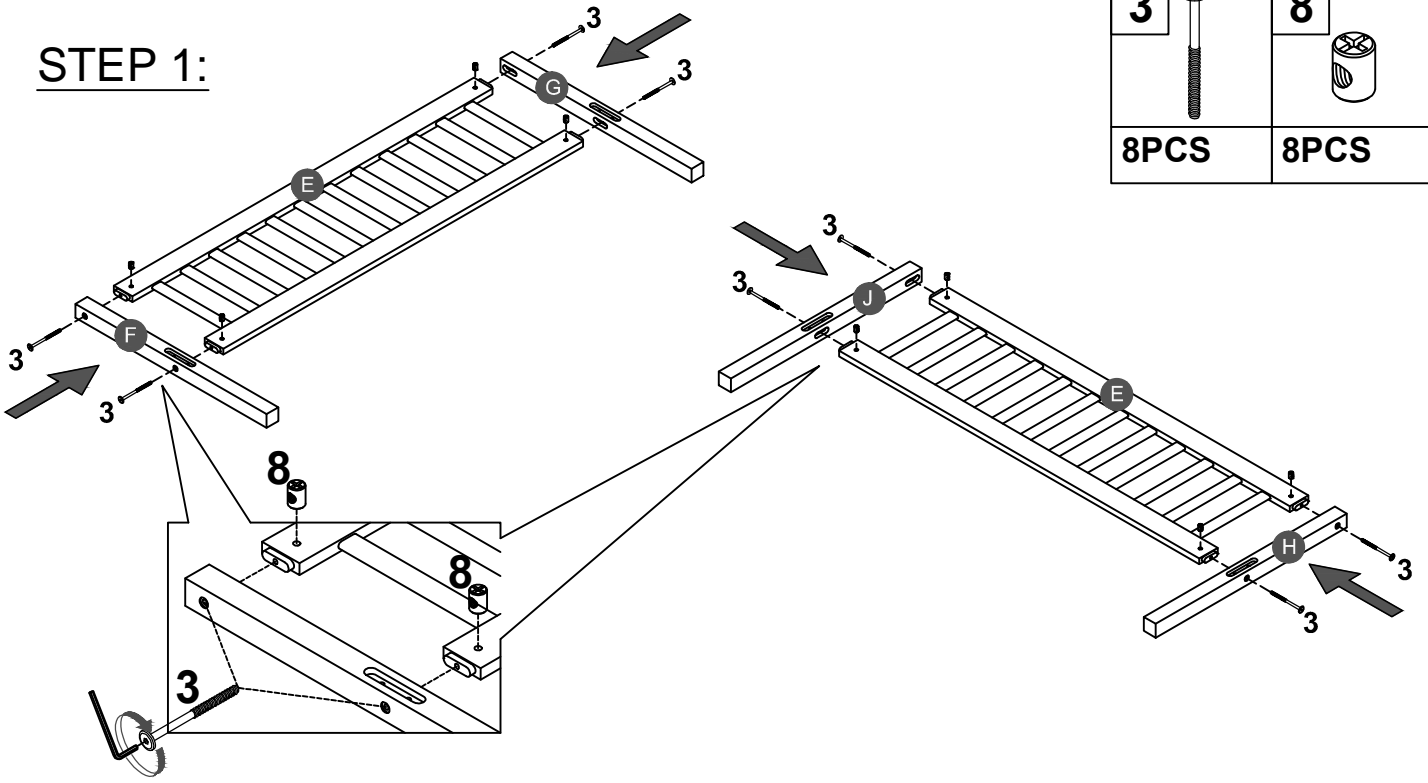
| | | | | | |
|-----------|--|-----------|--|-----------|--|
| 1 |  Ø10*40mm Wood dowel (8pcs) | 2 |  (Ø15)1/4"*100mm Hex-Head bolts (22pcs) | 3 |  (Ø15)1/4"*80mm Hex-Head bolts (18pcs) |
| 4 |  (Ø12)1/4"*40mm Hex-Head bolts (4pcs) | 5 |  (Ø12)1/4"*30mm Hex-Head bolts (6pcs) | 6 |  (1/4")4.5*58mm Allen key (1pc) |
| 7 |  (Ø12)1/4"*40mm Hex-Head bolts (4pcs) | 8 |  1/4"*15 (9.5mm) Horizontal-Hole bolts(48pcs) | 9 |  Ø4*30mm Wood screws (50pcs) |
| 10 |  100*63*20mm Wheels (4pcs) | 11 |  40*18*18*2mm Metal bracket (2pcs) | 12 |  Ø9*90mm Metal connector (4pcs) |
| 13 |  95*95*18*3mm Metal bracket (2pcs) | 14 |  (Ø12)1/4"*60mm Hex-Head bolts (10pcs) | 15 |  (Ø12)1/4"*35mm Hex-Head bolts (2pcs) |
| 17 |  Ø3.5*15mm Wood screws (16pcs) | 18 |  150*70*19mm Ladder stopper (1pc) | | |



ASSEMBLY TOOLS REQUIRED (NOT INCLUDED)



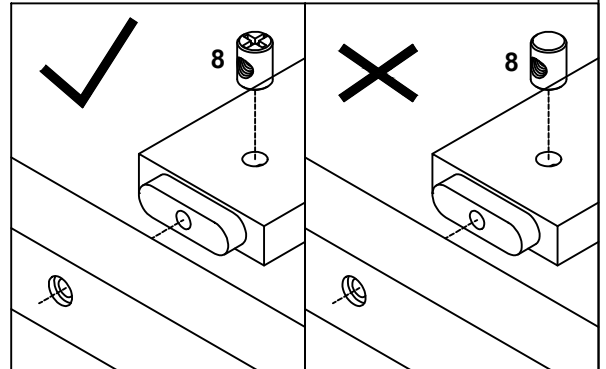
PLEASE BE CAREFUL DO NOT DAMAGE THE HOLE POSITION WHEN YOU USE POWER TOOLS !

STEP 1:

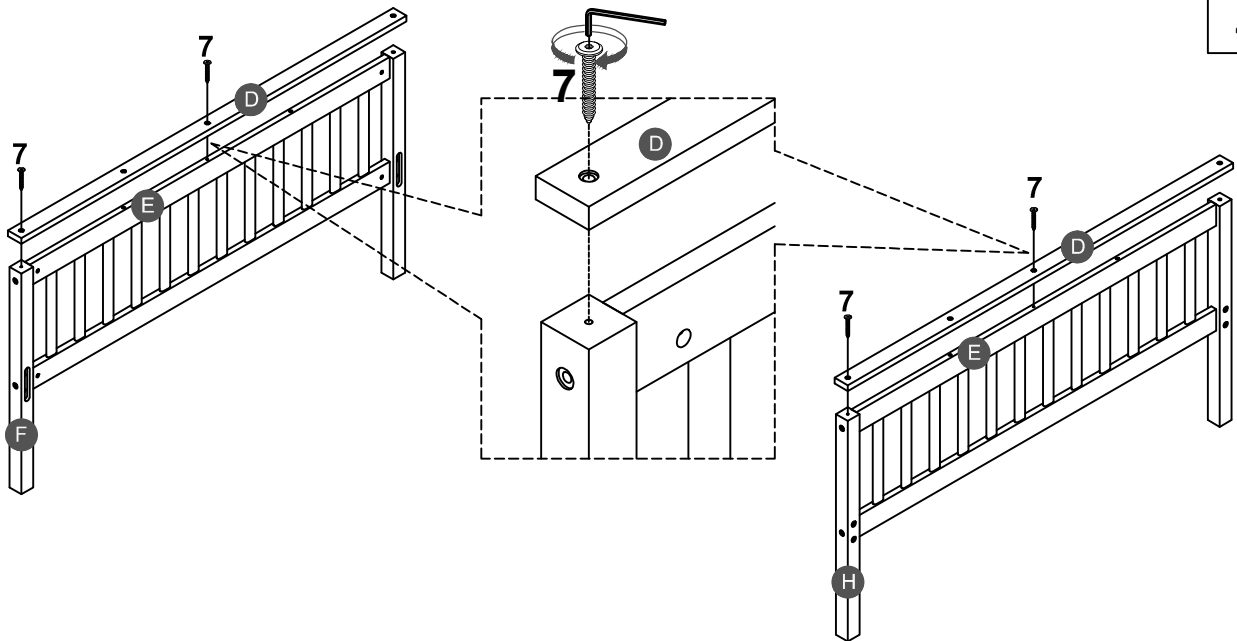



| | |
|--|---|
| 3 | 8 |
|  |  |
| 8PCS | 8PCS |

Note: Part 8 will face up with the "x" mark on it, otherwise it cannot be tightened

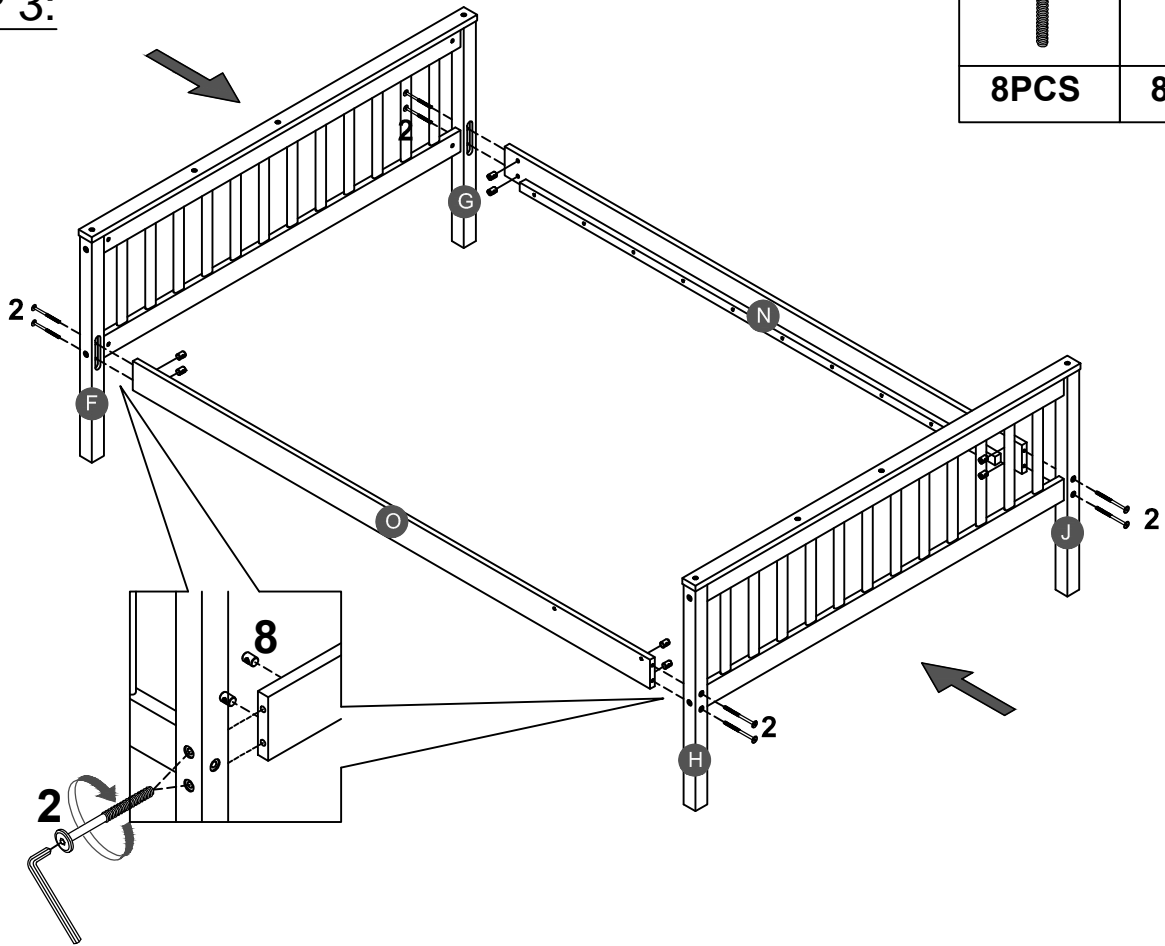




STEP 2:



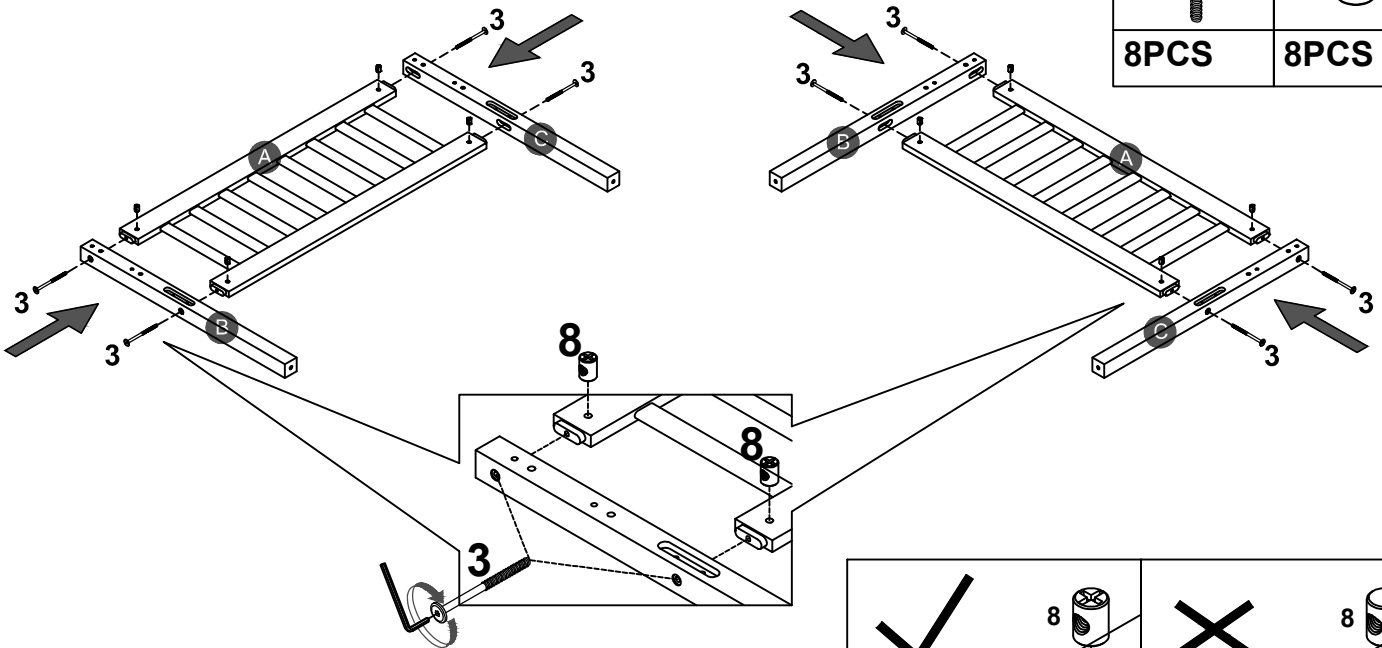
| | |
|-------------|---|
| 7 |  |
| 4PCS | |



STEP 3:



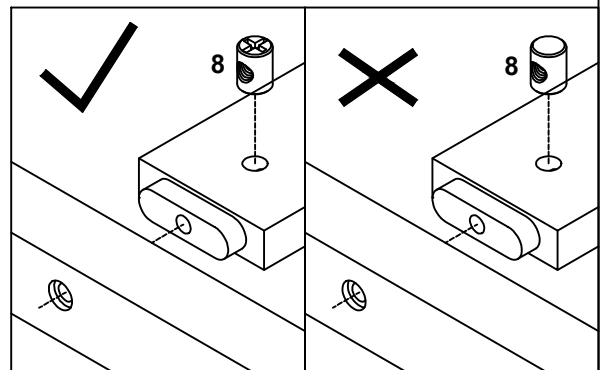
| | | | |
|-------------|--|-------------|---|
| 2 |  | 8 |  |
| 8PCS | | 8PCS | |

STEP 4:

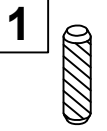
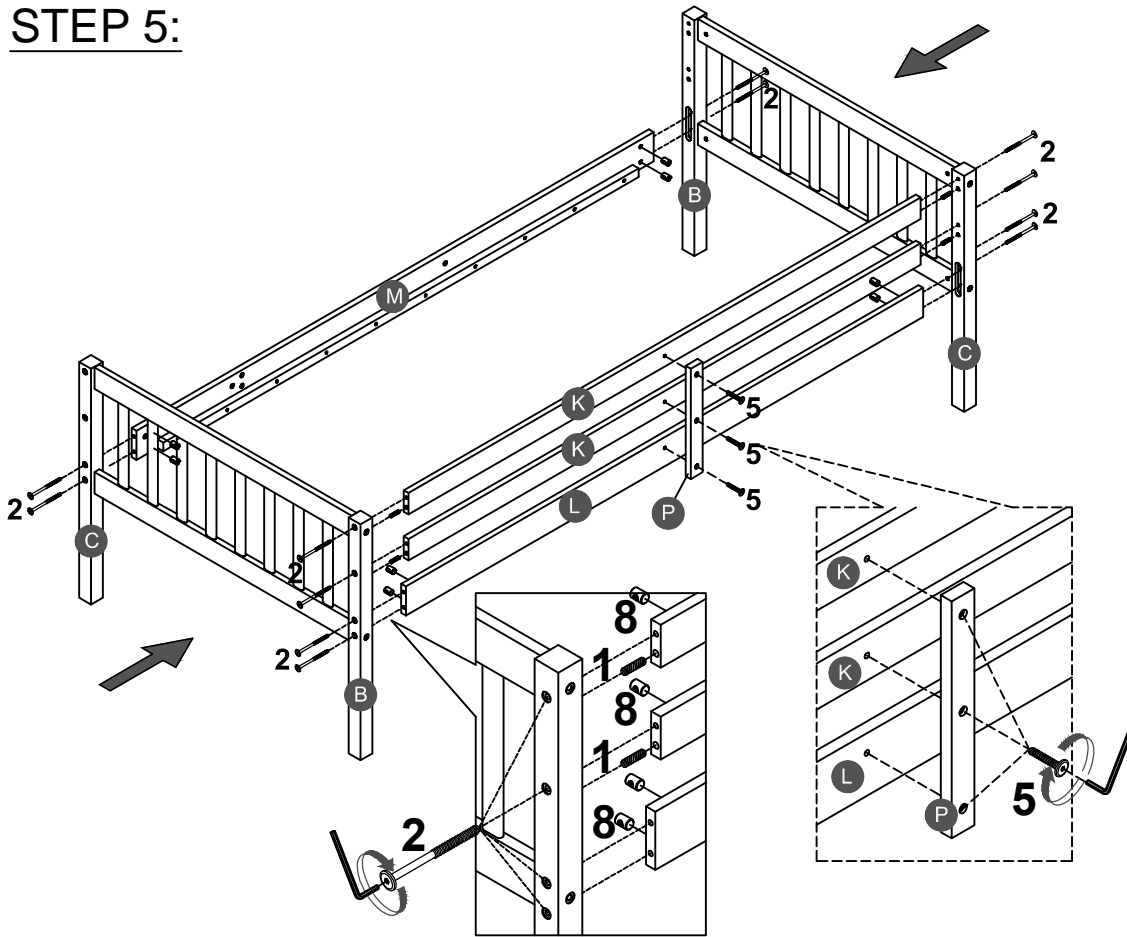


| | | | |
|-------------|---|-------------|---|
| 3 |  | 8 |  |
| 8PCS | | 8PCS | |

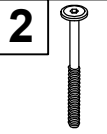
Note: Part 8 will face up with the "x" mark on it, otherwise it cannot be tightened



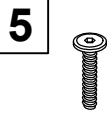
STEP 5:



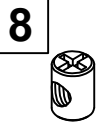
4PCS



12PCS

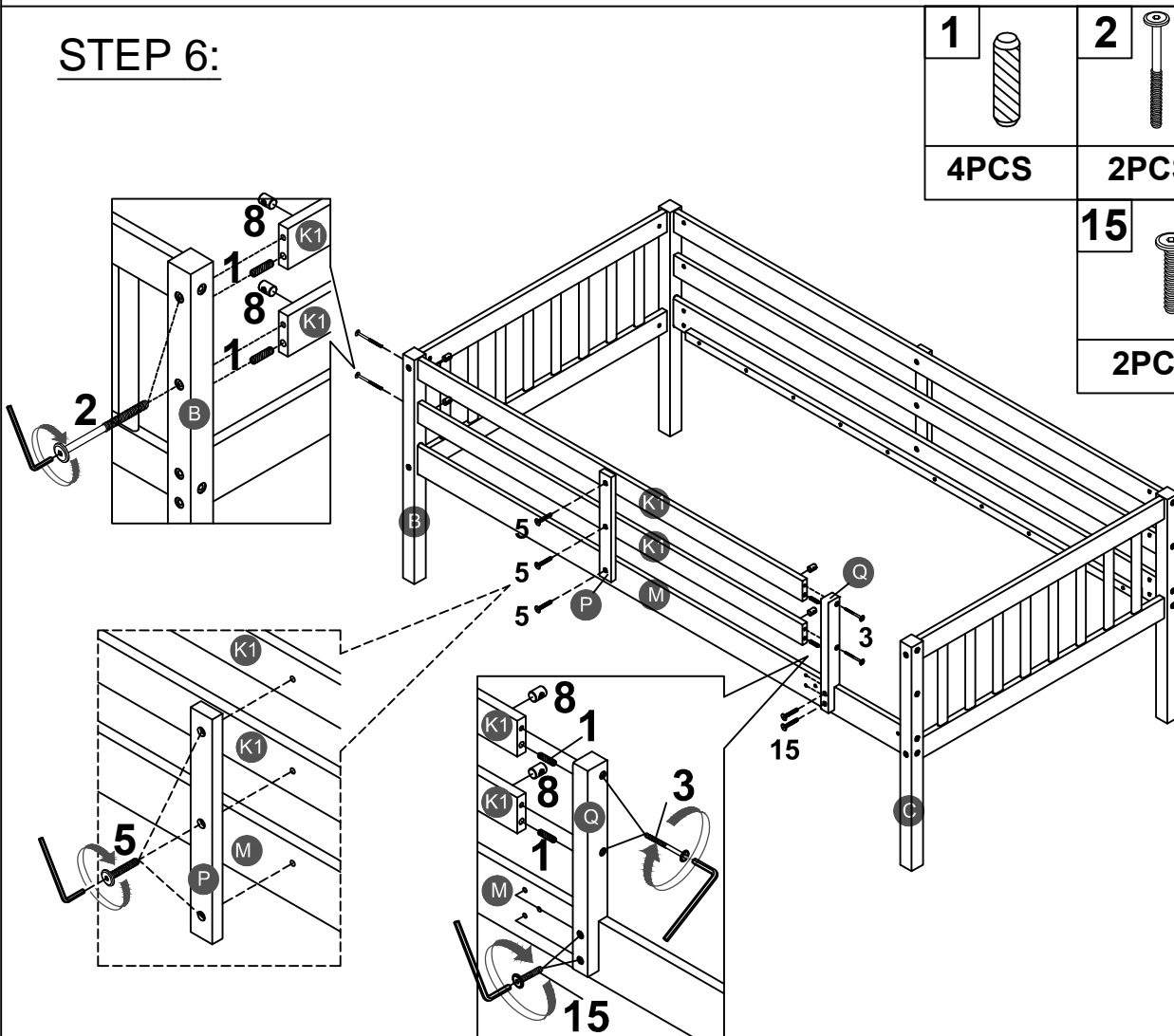


3PCS

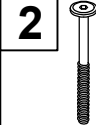


12PCS

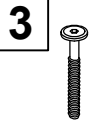
STEP 6:



4PCS



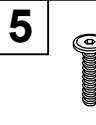
2PCS



2PCS



2PCS

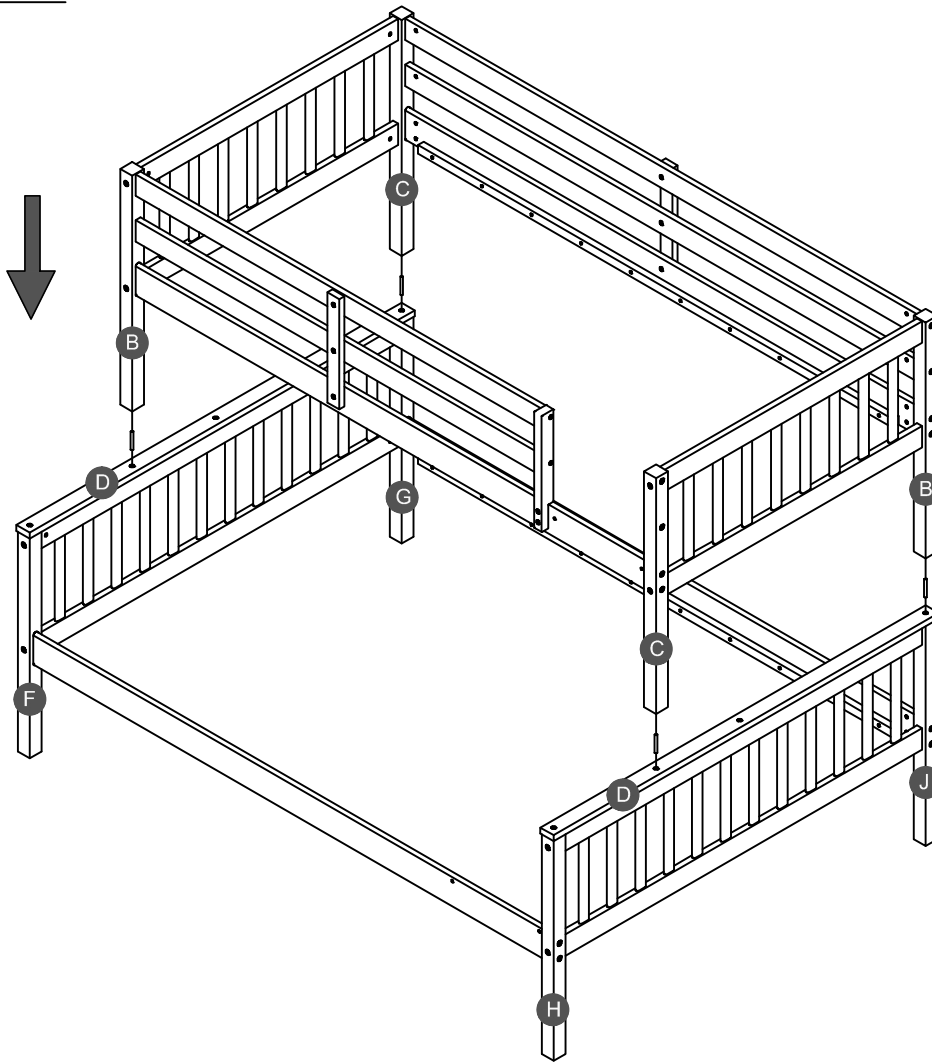


3PCS



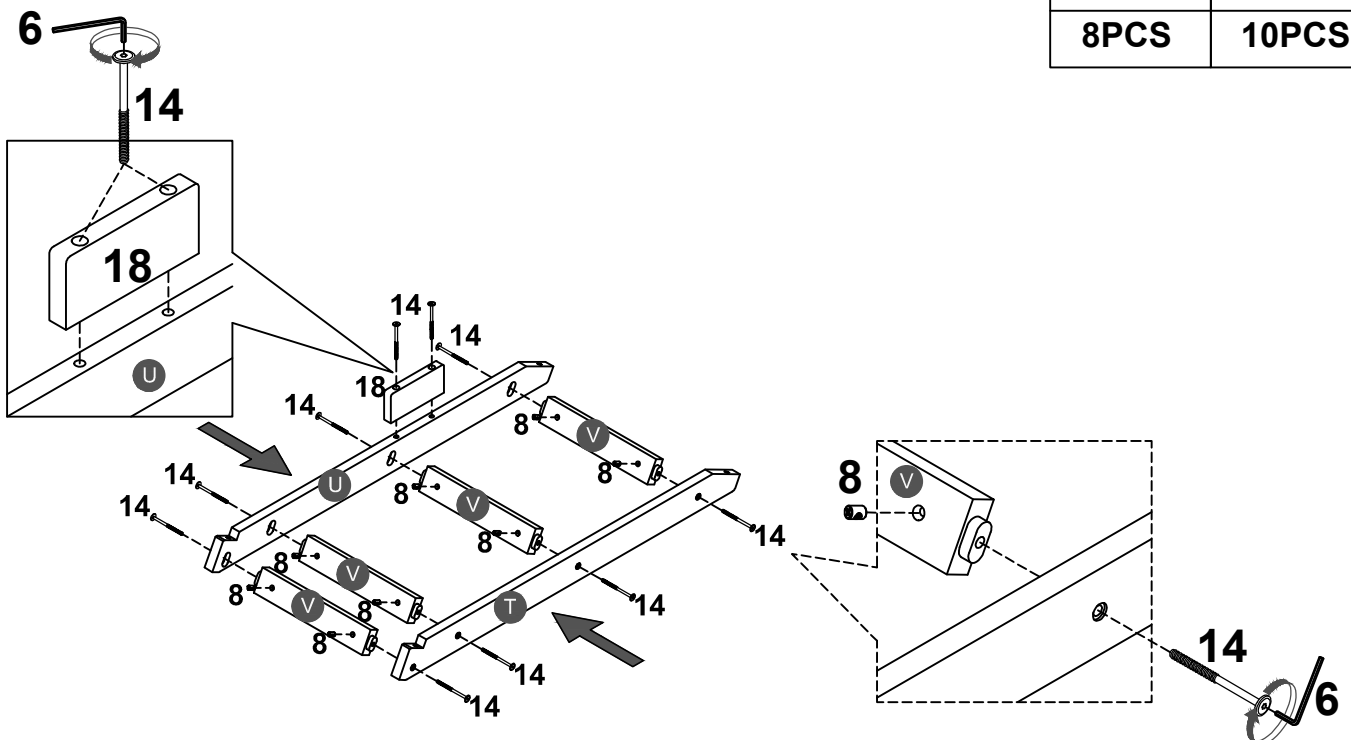
4PCS

STEP 7:



| | |
|-------------|--|
| 12 | |
| 4PCS | |

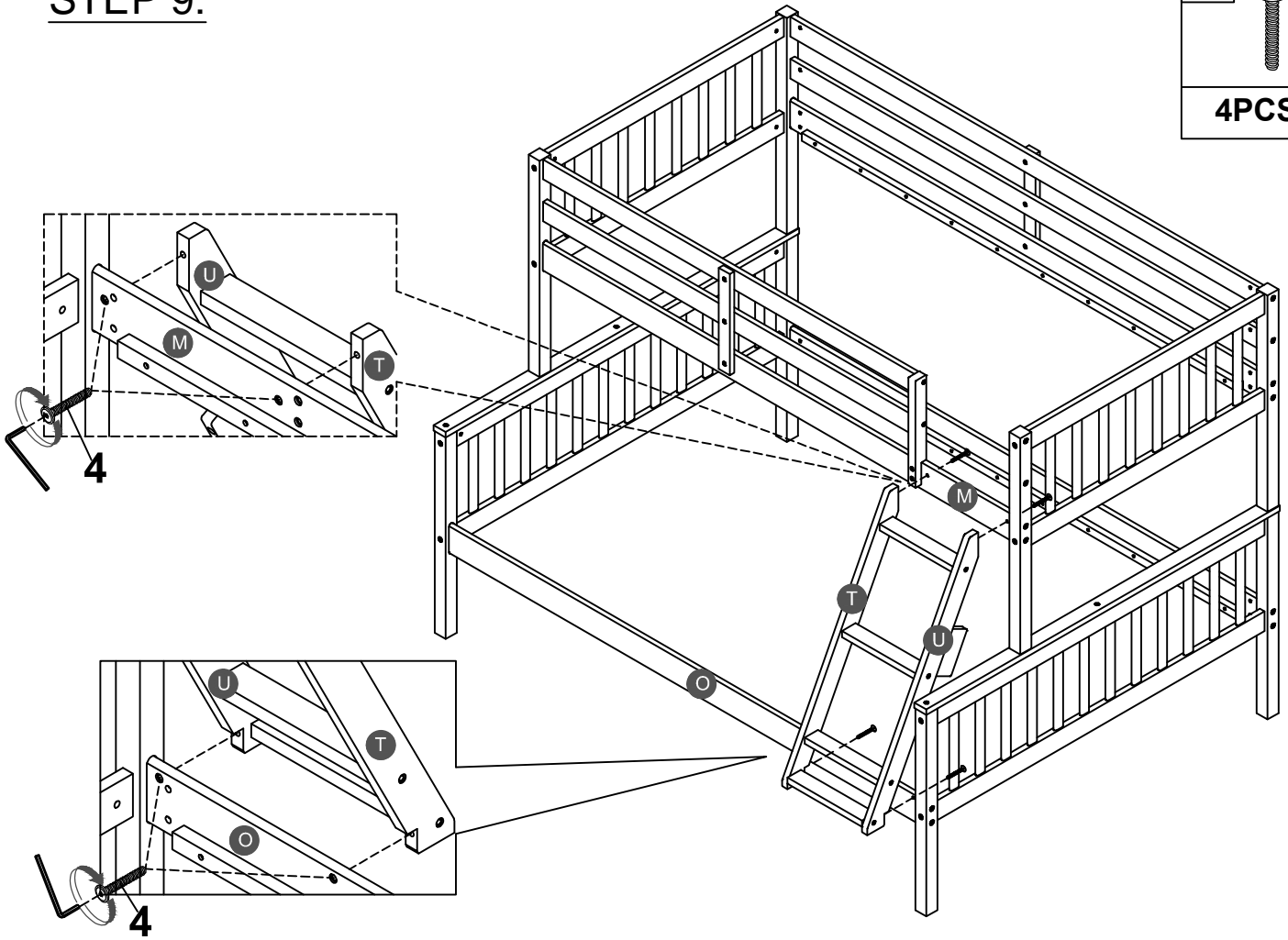
STEP 8:



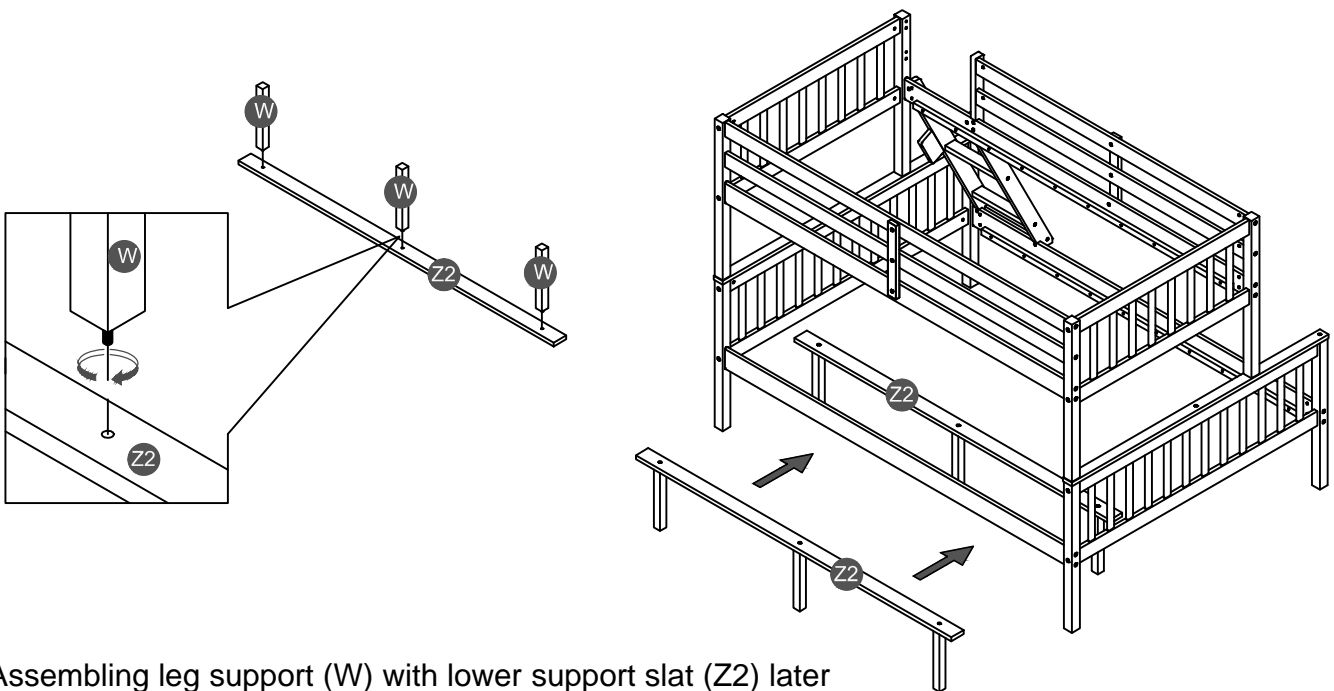
| | | | |
|-------------|--|--------------|--|
| 8 | | 14 | |
| 8PCS | | 10PCS | |

STEP 9:

4
4PCS



STEP 10:



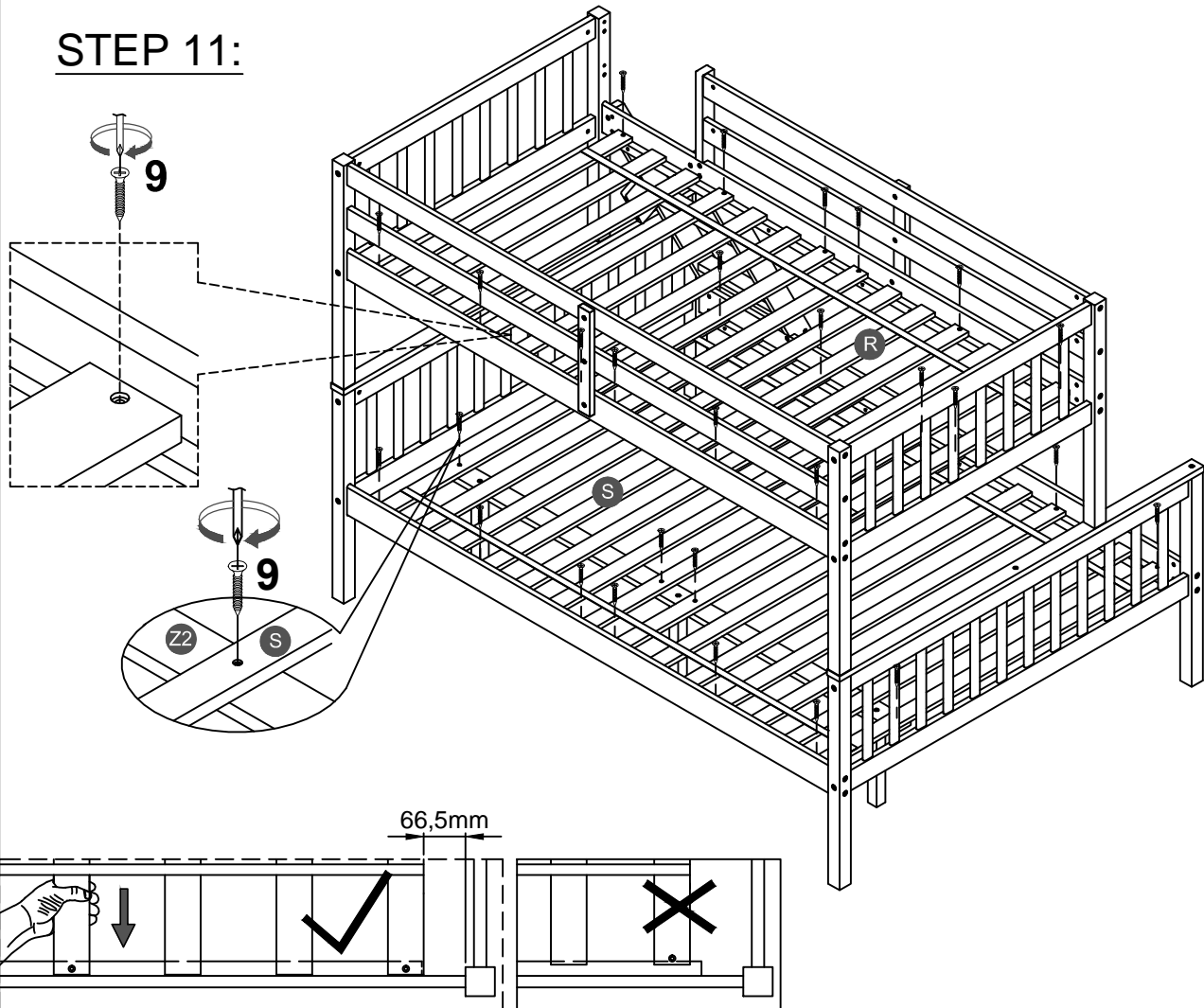
Assembling leg support (W) with lower support slat (Z2) later rotate, Move support slat inside Full bunkbed.

STEP 11:

9



28PCS



Note: Do not lock the screws of the bed slats to the outermost edge of the bed slats, you need to leave a certain space at the edges, otherwise it will cause the board to break. Do not lock the bed slats on the edge of the wood, please hold firmly before screwing, hold it in place with one hand, then lock the screw.

STEP 12:

10

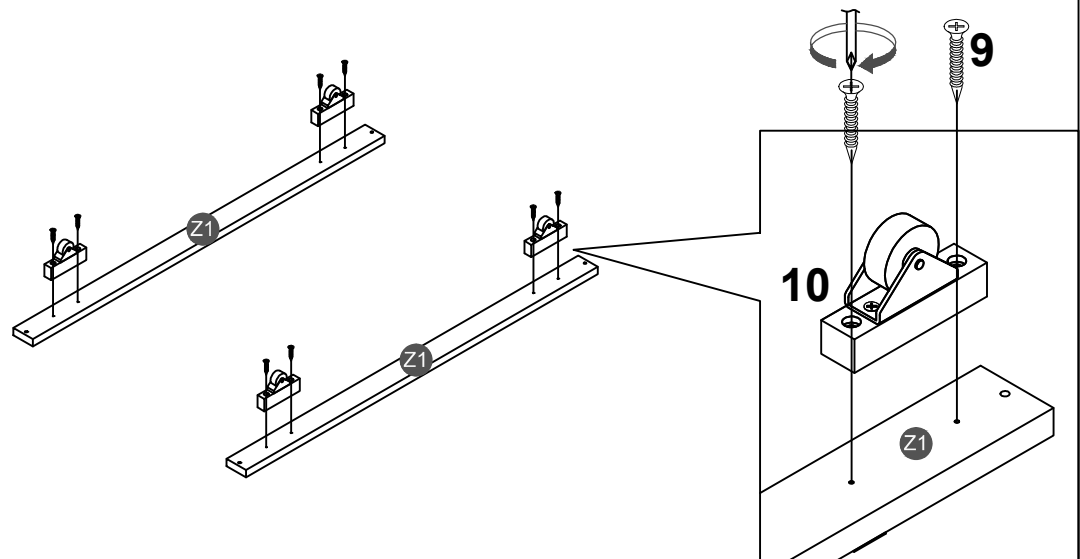


4PCS

9



8PCS

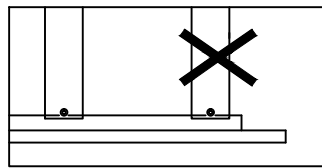
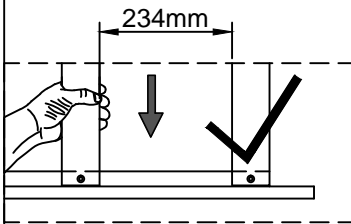
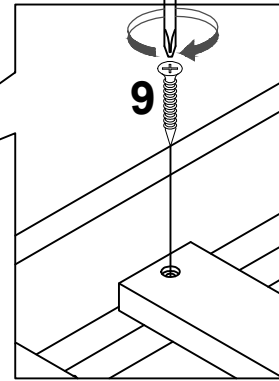
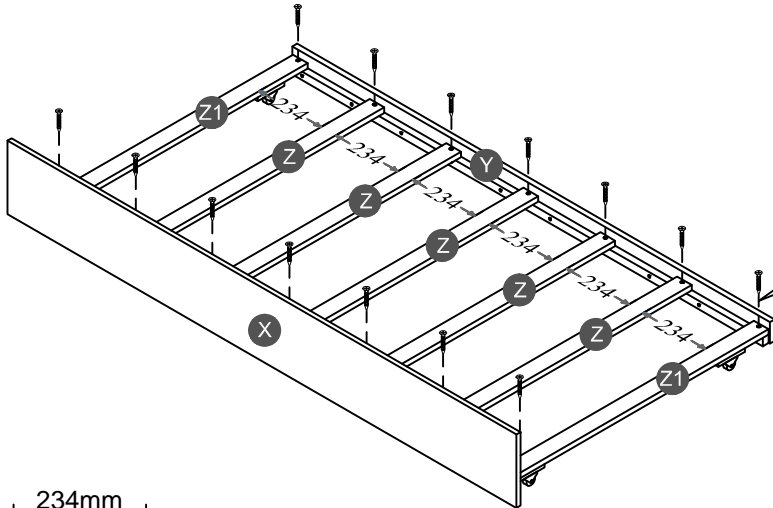


STEP 13:

9



14PCS



Note: Do not lock the screws of the bed slats to the outermost edge of the bed slats, you need to leave a certain space at the edges, otherwise it will cause the board to break.
Do not lock the bed slats on the edge of the wood, please hold firmly before screwing, hold it in place with one hand, then lock the screw.

STEP 14:

13

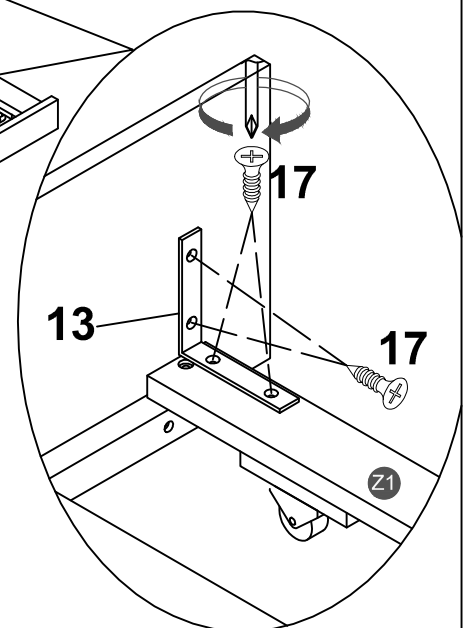
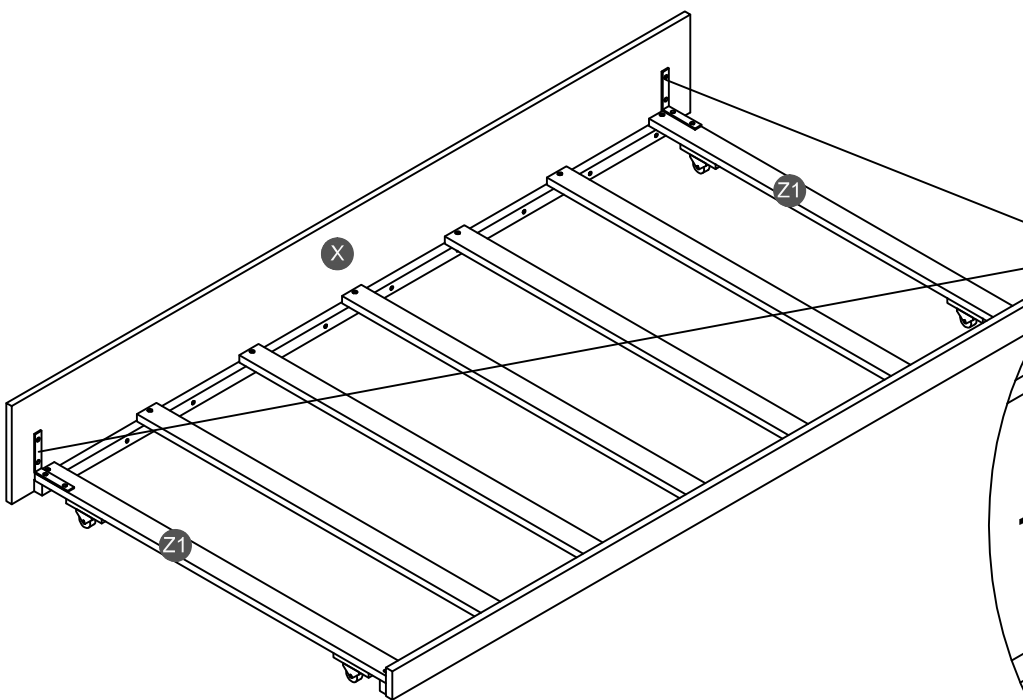


2PCS

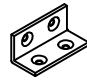

17

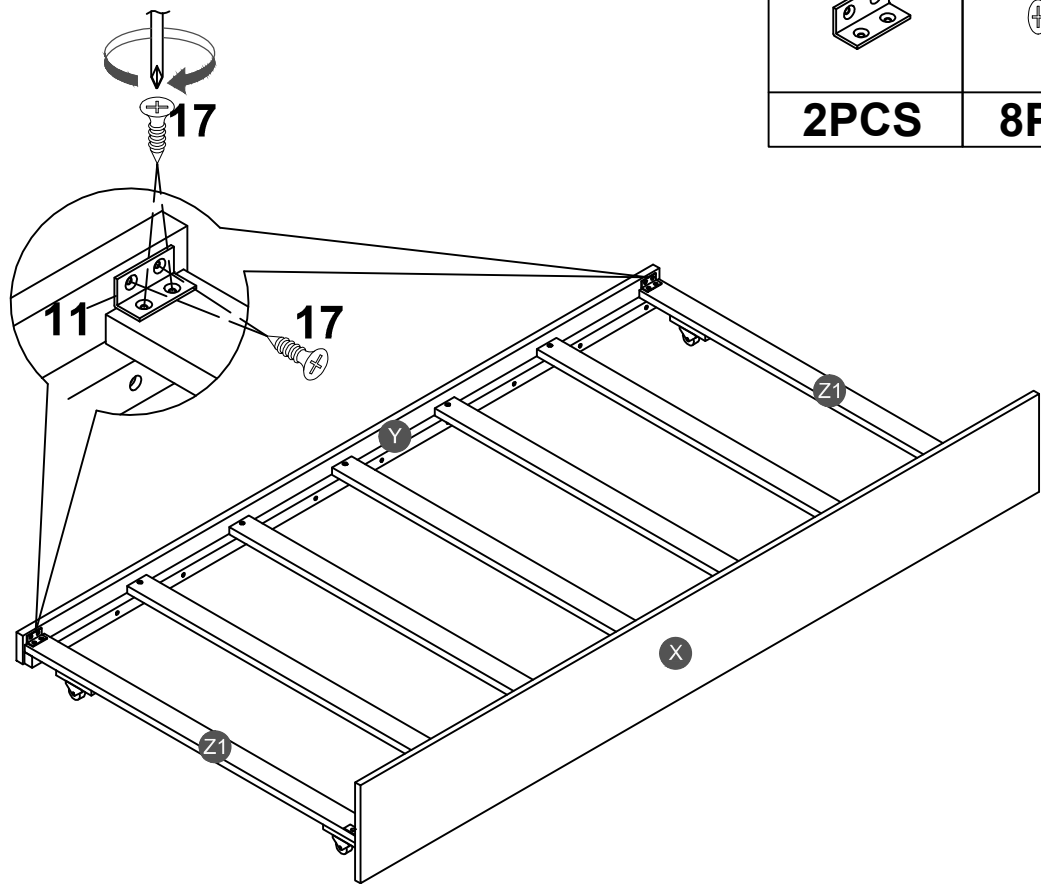


8PCS

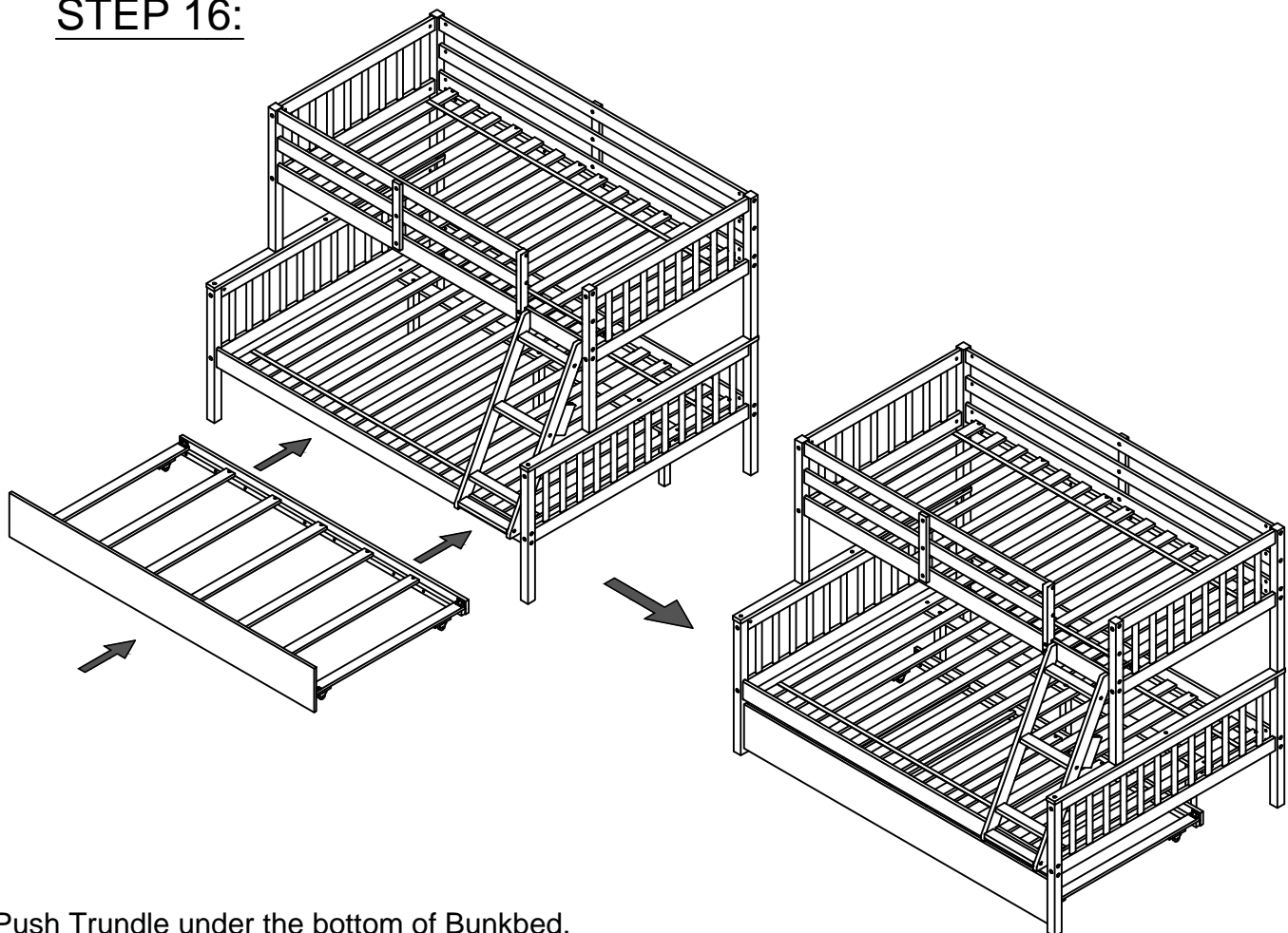


STEP 15:

| | | | |
|-------------|---|-------------|---|
| 11 |  | 17 |  |
| 2PCS | | 8PCS | |



STEP 16:



Push Trundle under the bottom of Bunkbed.