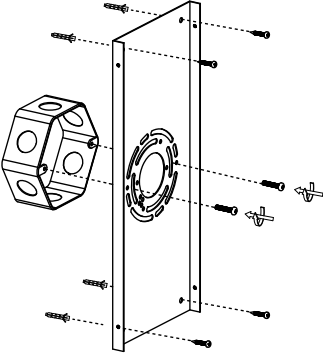


Wall Sconce installation

STEP 1
Use the mounting screws to attach the mounting unit to the junction box



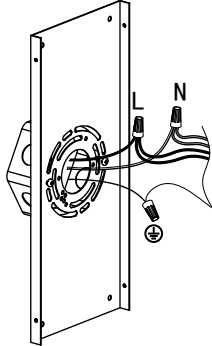
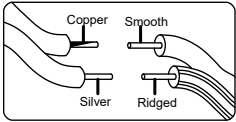
STEP 2
Make the electrical connection from the junction box to the fixture. Connect the ground wire to the mounting unit using the preinstalled green ground screw. Then, connect the positive, negative and ground wires with the supplied wire nuts. Secure with electrical tape

Connect Clear, Brown, Gold or Black Parallel Wire without tracer (round & smooth) or Black Fixture Wire to:

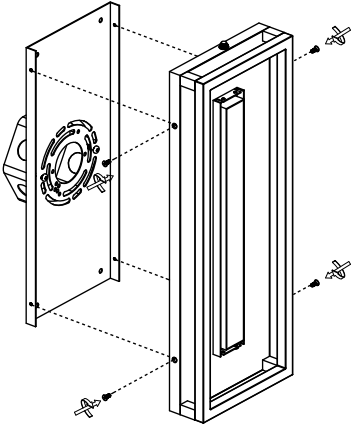
Black or Red Supply Wire or Insulated Wire (other than green) with copper conductor.

Connect Clear, Brown, Gold or Black *Parallel Wire with tracer (square & ridged) or White Fixture Wire to:

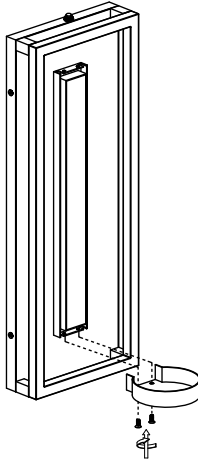
White Supply Wire or Insulated Wire (other than green) with silver conductor



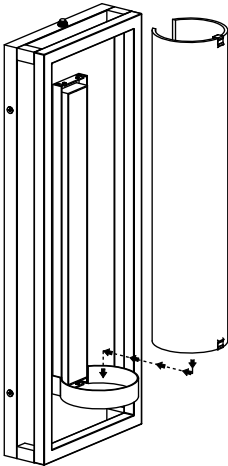
STEP 3
Secure the clamp to the mounting unit, tightening it with side screws



STEP 4
Screw the round metal cover under the light frame



STEP 5
Place the glass in the metal lid of the light frame



STEP 6
Screw another metal round cap over the light frame to secure the glass

