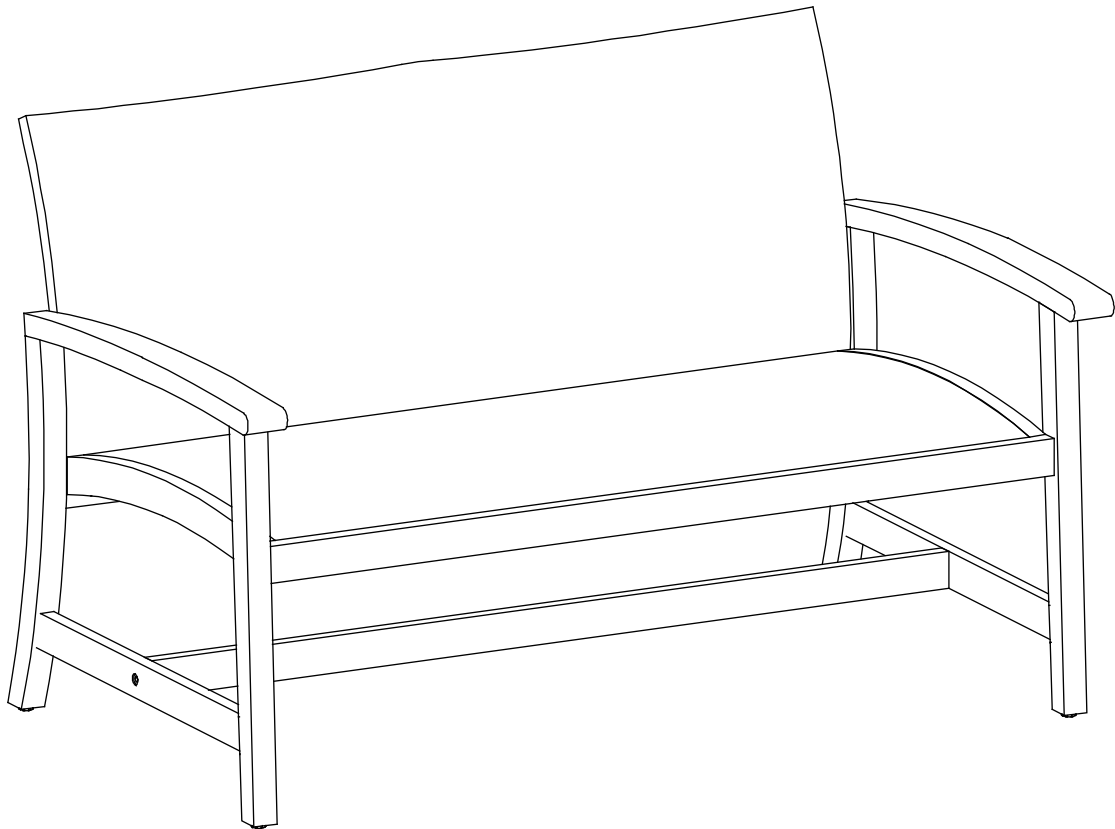


Assembly Instructions

2 SEATER CHAIR

Caution: You must read this before you proceed

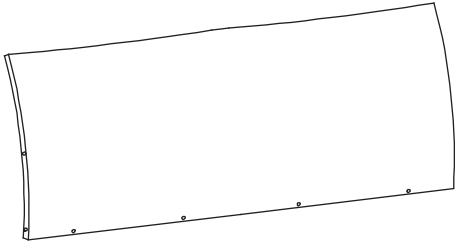
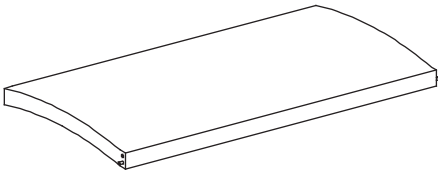
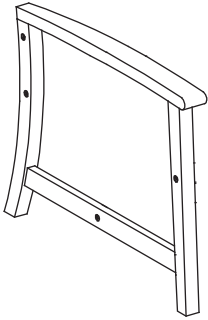
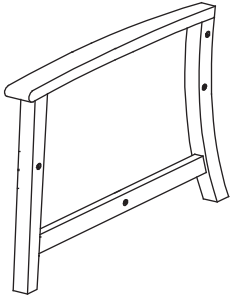
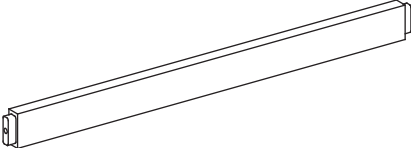
Please look underneath the foldable seat panel for hardware packs



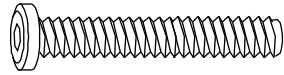

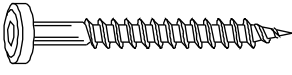


CAUTION: This 2 Seater Chair is NOT a TOY.

Keep your child / children at bay during the assembly process of assembly.
For turning the 2 Seater Chair and to prevent damage to the 2 Seater Chair,
02 persons may be needed to execute this action

Parts List

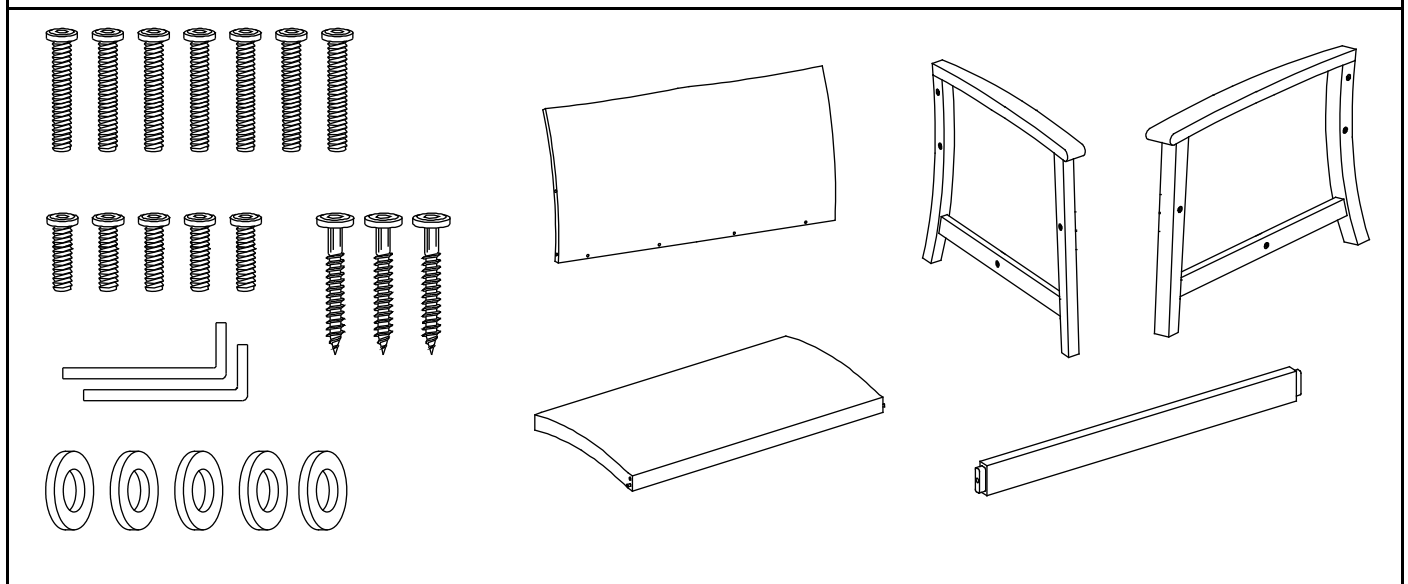
Label	Picture	Description	QTY
A	 A rectangular panel with a curved top edge and a slightly curved bottom edge. It has four small circular holes, one near each corner.	Backrest panel	1
B	 A rectangular panel with a slightly curved top edge and a slightly curved bottom edge. It has a thin, raised edge on the right side.	Seat Panel	1
C	 A wooden frame component consisting of a vertical leg, a horizontal base, and a curved backrest. It has four small circular holes, one on each leg and one on the base.	Right Leg Panel (with Leveler)	1
D	 A wooden frame component consisting of a vertical leg, a horizontal base, and a curved backrest. It has four small circular holes, one on each leg and one on the base.	Left Leg Panel (with Leveler)	1
E	 A long, thin, rectangular bar with a slightly curved top edge and a slightly curved bottom edge. It has a small notch or hole at one end.	Leg Support Bar	1

Hardware

Label	Picture	Description	QTY
①		Bolt (M8x55mm)	7
②		Bolt (M8x25mm)	5
③		Screw (M7x60 mm)	3
④		Flat Washer (M8.5/16x2mm)	5
⑤		Allen Wrench(M4)	2

Assembly Preparation

Before Beginning Assembly:



- Read instructions, cover to cover-



- Have 2 adults on hand for assembly-



- Do not assemble on flooring or carpet-



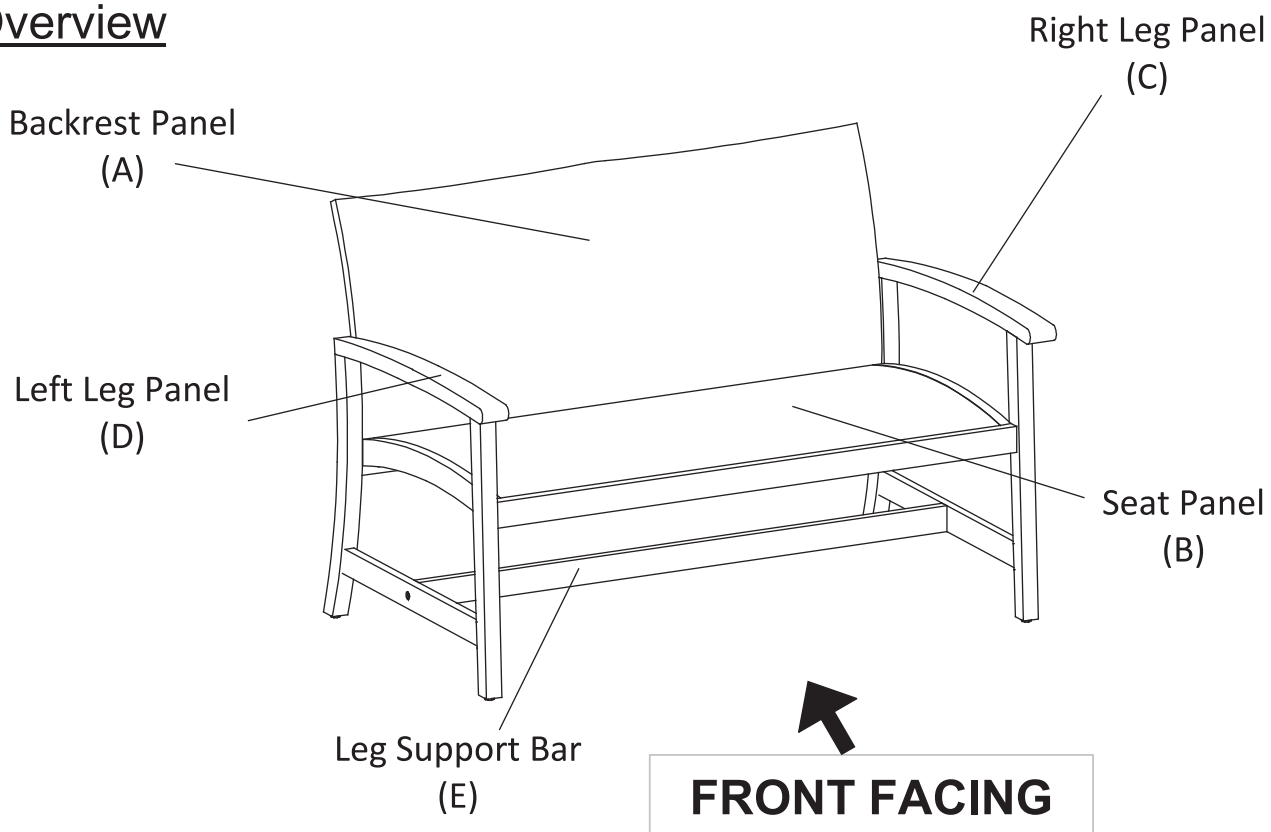
- Assemble on a clean non-marring surface (packing foam)-



- Save all packaging until finished-

Assembly Steps

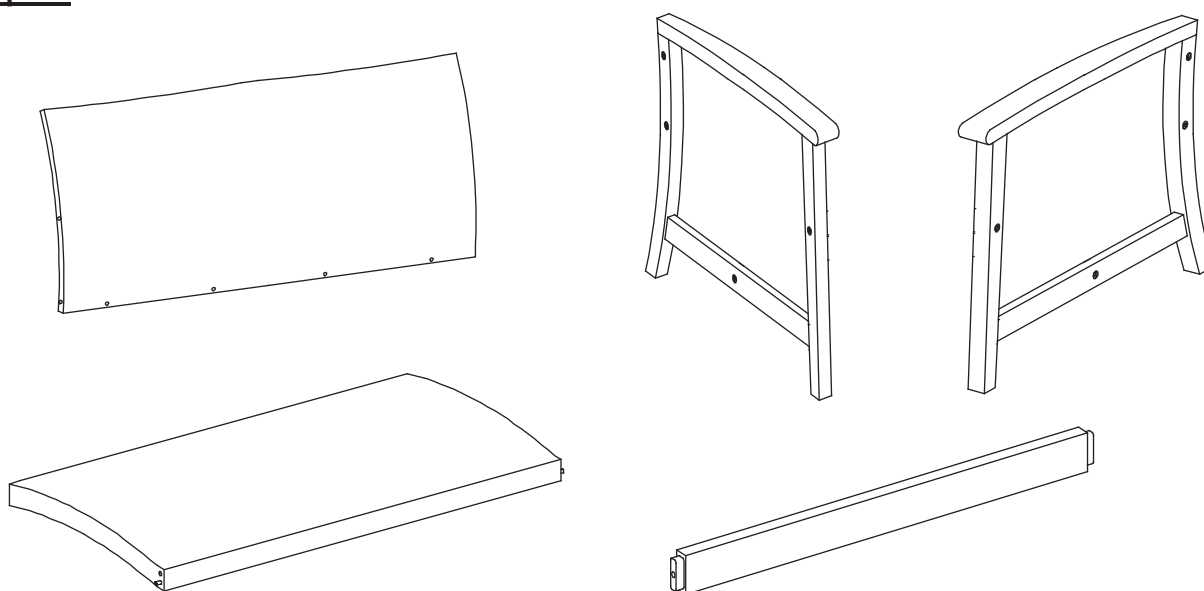
Overview



This 2 Seater Chair has multiple parts and may require up to 30 minutes to assemble.

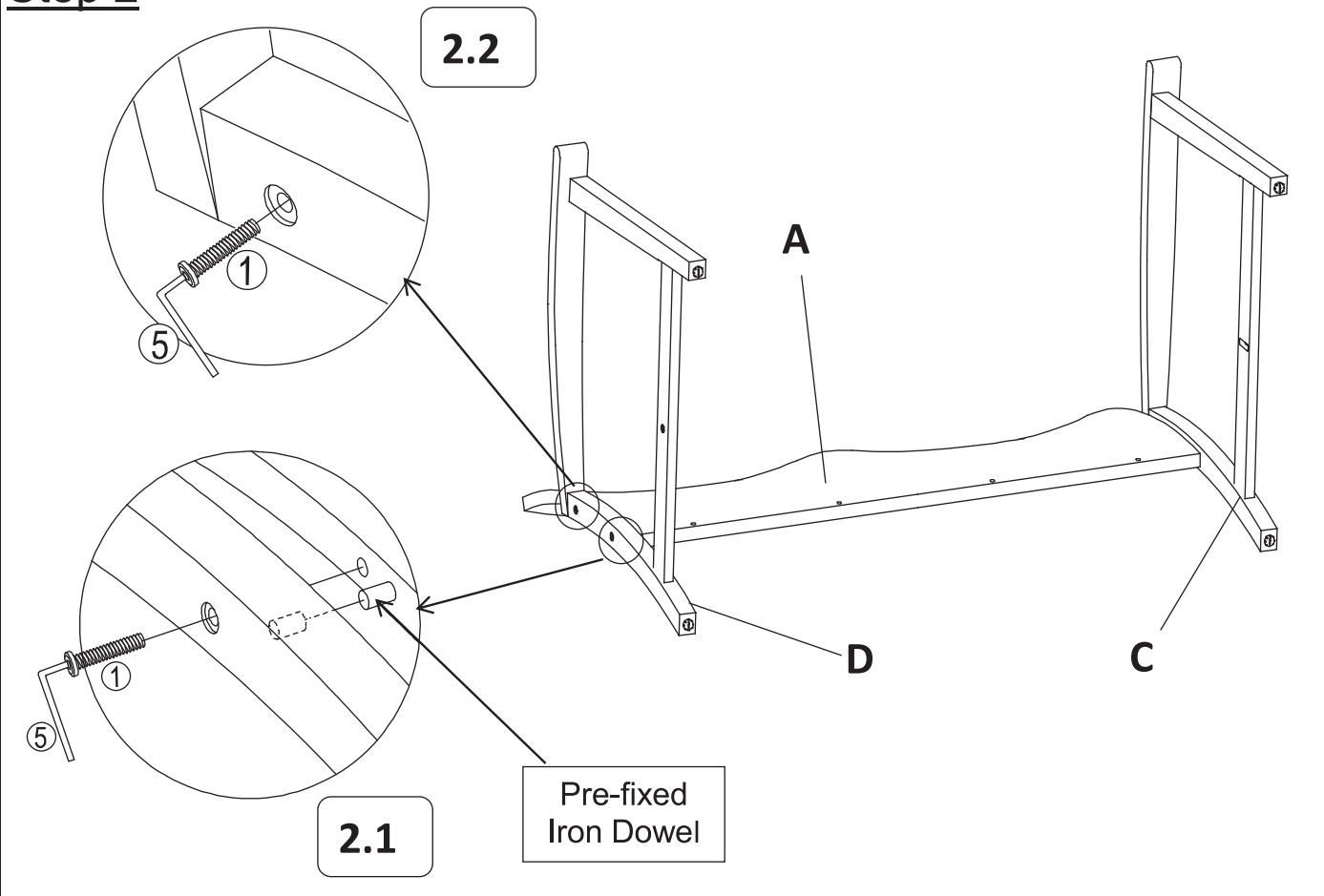
To give you an overview of the 2 Seater Chair parts, the above picture is to help you put the various parts into perspective. Please read through the instructions below to familiarise yourself with the parts and steps before assembly.

Step 1



Unpack and place all parts on a clean, non-marring surface.

Step 2



Lay down the Backrest Panel (A) on a clean, non-marring surface.

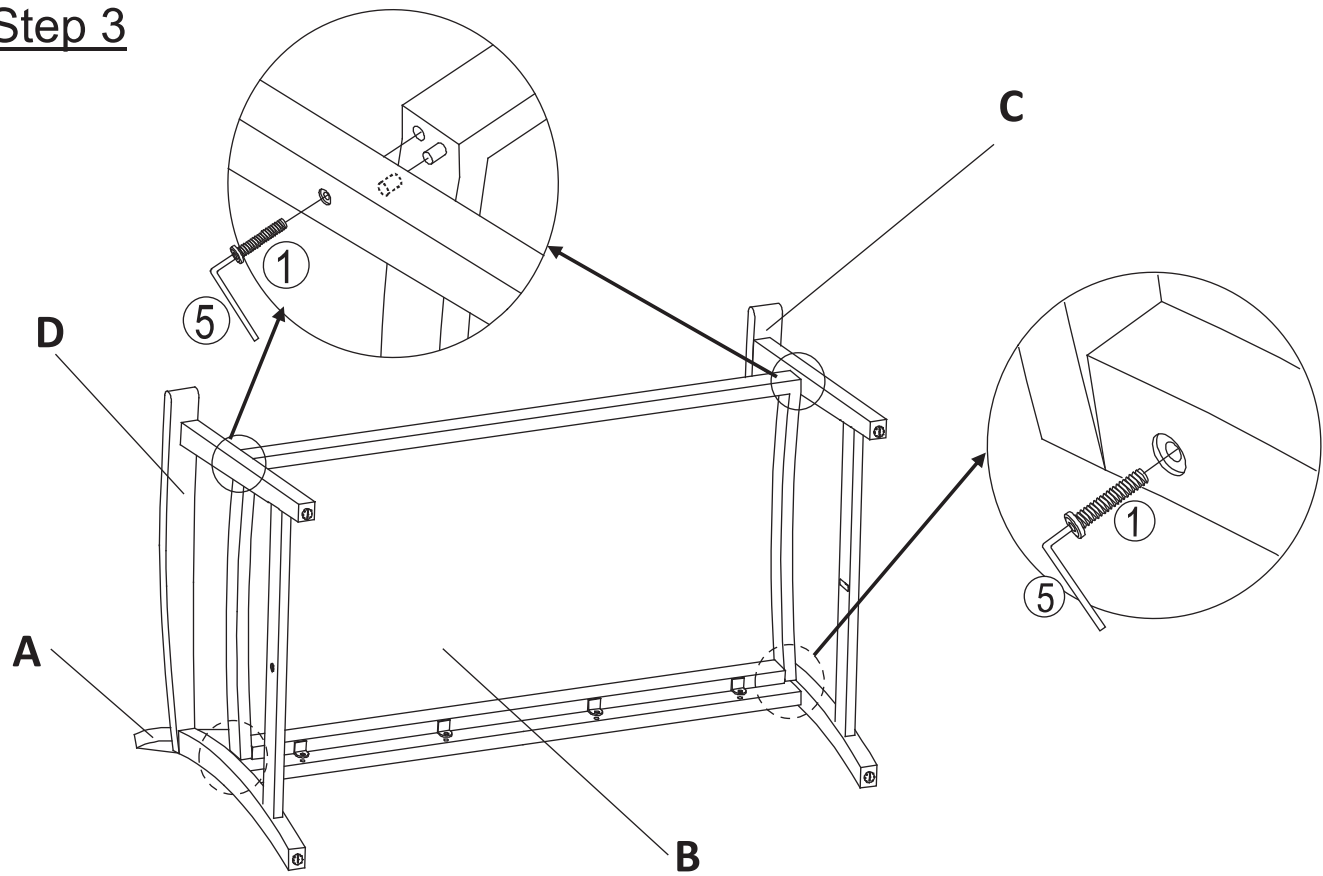
Step 2.1: With assistance from your adult partners, position housing of Left Leg Panel (D) into pre-fixed iron dowel on Backrest Panel (A) as picture above.

Step 2.2: Secure Left Leg Panel (D) to Backrest Panel (A) by using Bolts (1) with Allen Wrench (5)

Repeat the same process to attach Right Leg Panel (C) to Backrest Panel (A)

Do not fully tighten the Bolts.

Step 3

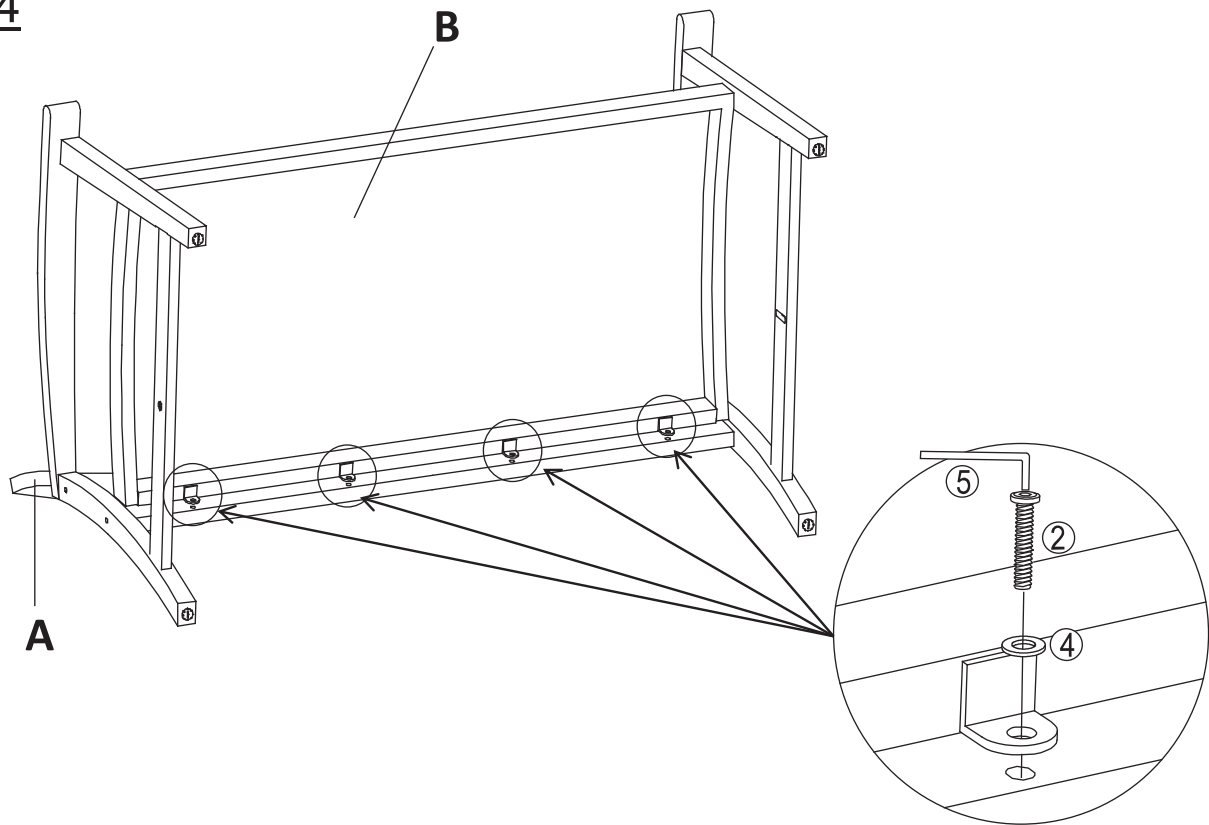


With assistance from your adult partner, put the Seat Panel (B) onto the pre-assembled in step 2.

Repeat same process in step 2.1 and 2.2 to Secure Right Leg Panel (C) and Left Leg Panel (D) to Seat Panel (B).

Do not fully tighten all the Bolts

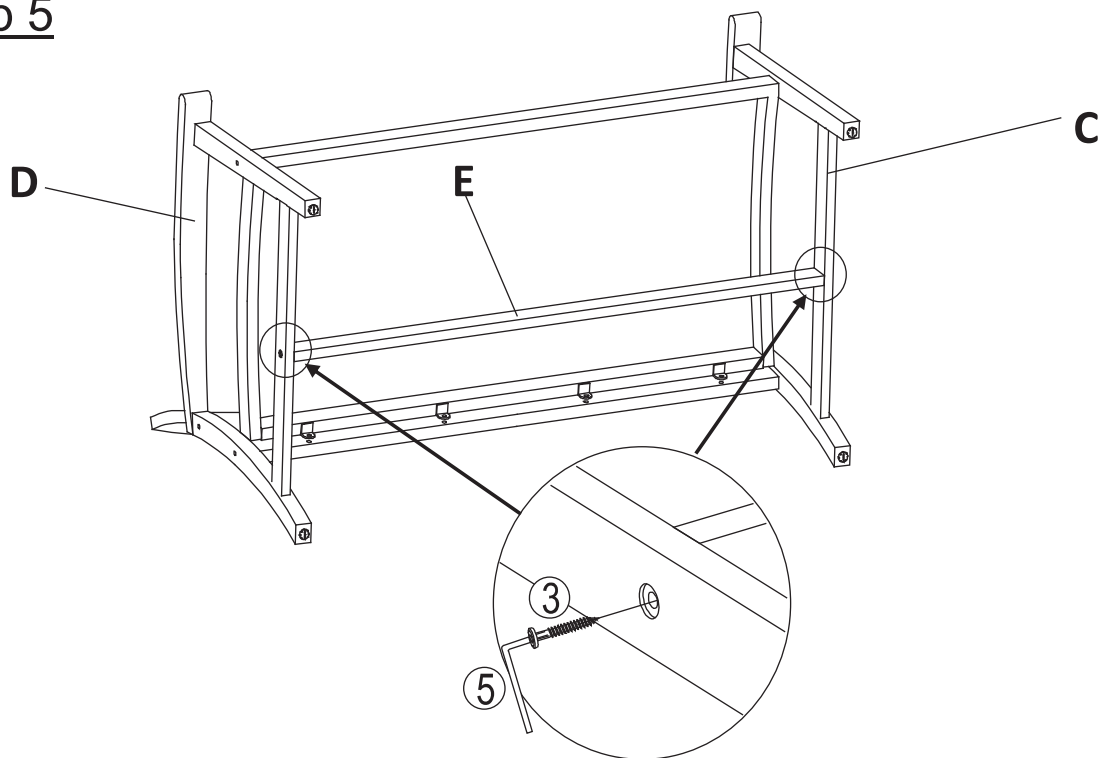
Step 4



Secure Seat Panel (B) to Back Panel (A) using Bolts (2) & Washers (4) with Allen Wrench (5)

Do not fully tighten the Bolts.

Step 5

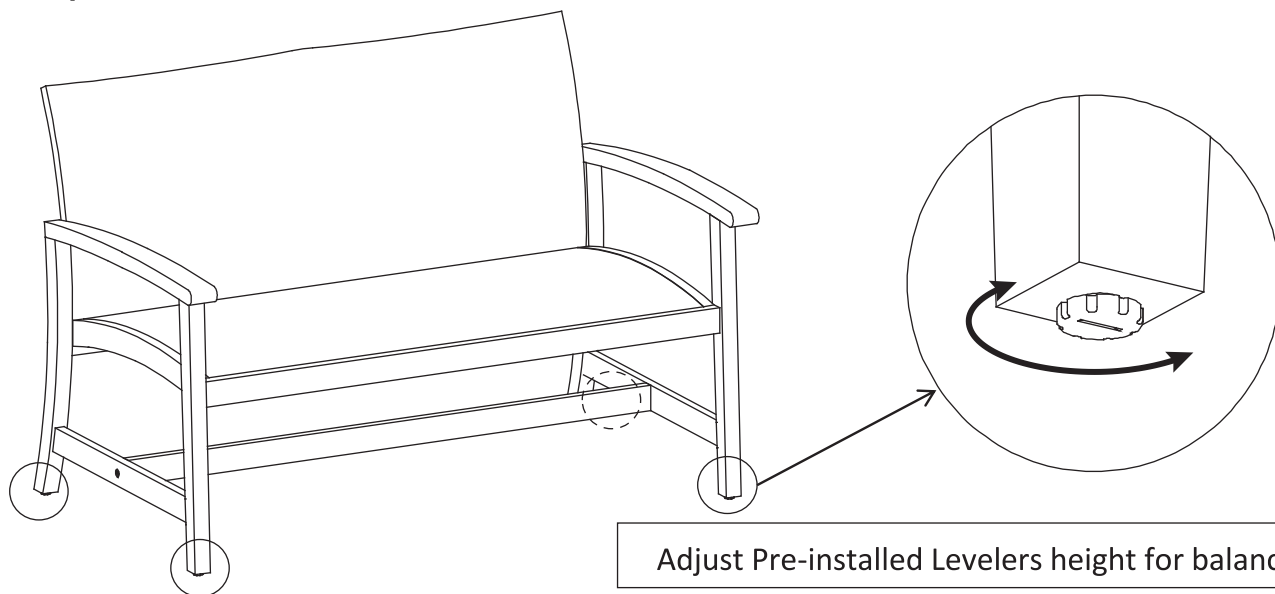


Insert Leg Support Bar (E) to Right Leg Panel (C) and Left Leg Panel (D) using Screws (3) with Allen Wrench (5) as shown above.

Note: You might need to apply a little pressure to the Leg Panels pushing outwards slightly to insert the Leg Support Bar (E).

Do not fully tighten the Screws.

Step 6:



With assistance from your adult partners, turn the Chair back to normal flat ground.

Place the Chair on a LEVEL surface.

Inspect it and make sure all parts are adequately connected.

Gently and gracefully, sit onto the Chair.

This pressure will help to align all the parts at all joint areas.

Check for wobbles on a LEVEL surface.

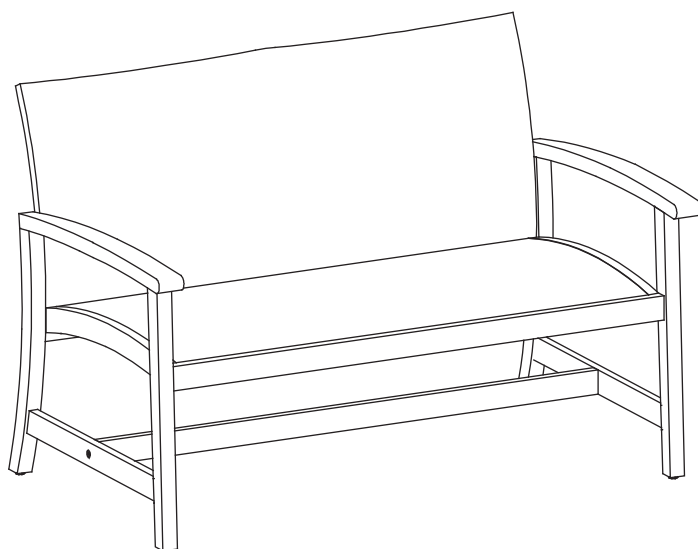
If no wobbles are found proceed to tighten the Bolts and Screws in a sequential manner, until evenly secured.

When tightening the Bolts and Screws tighten sequentially.

Adjust the Levelers until the Chair is level with the ground.

To adjust the Levelers, get assistance from an adult partner to lift/lean and hold the Chair while you are working.

Step 7:














Your Chair is ready for use

Please use adjustable foot for uneven floors

This Chair can be used on a flat, level surface

Care & Maintenance

- ⊘  • Prolonged exposure to rain may cause rusting which can stain floors.
 - ⊘  • Do not put hot items directly on furniture surface.
 - ⊘  • Do not clean furniture with harsh cleansers or polish.
 - ✓  • To obtain the longest lifespan of your outdoor products, minimizing exposure to direct sunlight is recommended.
 - ⊘  • Children should not climb or jump on the furniture.
 - ⊘  • Do not write on furniture without a padded barrier to protect the surface.
 - ✓  • To obtain the longest lifespan of your outdoor products, avoid extended and lengthy exposure to rain, snow, and direct sunshine. Whenever possible cover the product and /or place under patio or awnings.
 - ⊘  • Not for commercial use. For residential use only.
 - ⊘  • Stains may be removed with mild soap solution and damp cloth.
 - ✓  • Keep away from sources of ignition.
-
- ✓  • Dust and pick-up spills using a clean, non-colored, lint-free cloth.