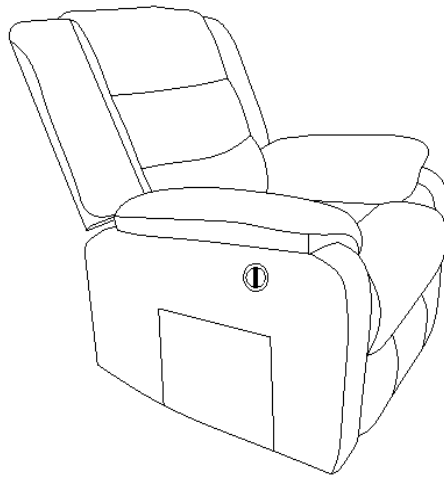



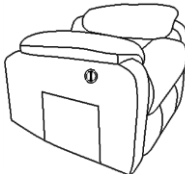
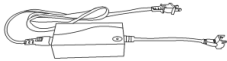

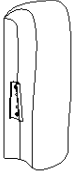
Assembly Instructions

Caution : You must read this before you proceed

Power Recliner

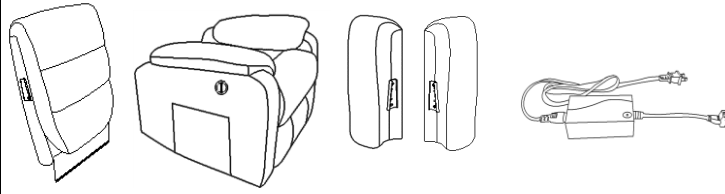


Parts List

Label	Picture	Description	QTY (pc)
A		Chair Backrest	1
B		Chair Base With Footrest	1
C		Power Cord with transformer	1
D		Left Wing	1
E		Right Wing	1

Assembly Preparation

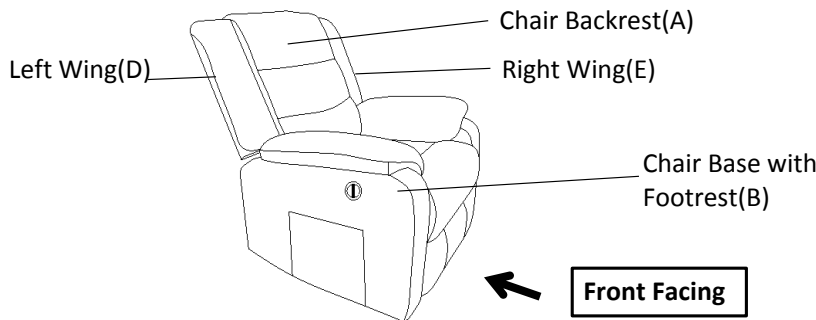
Before Beginning Assembly:



- Read instructions, cover to cover-
- Have 2 adults on hand for assembly-
- Do not assemble on flooring or carpet-
- Assemble on a clean non-marring surface (packing foam)-
- Save all packaging until finished-

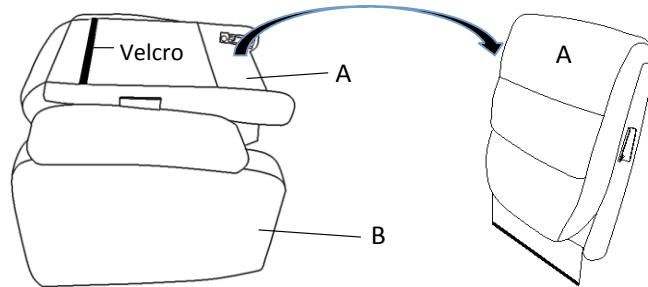
Assembly Steps

Parts Introduction



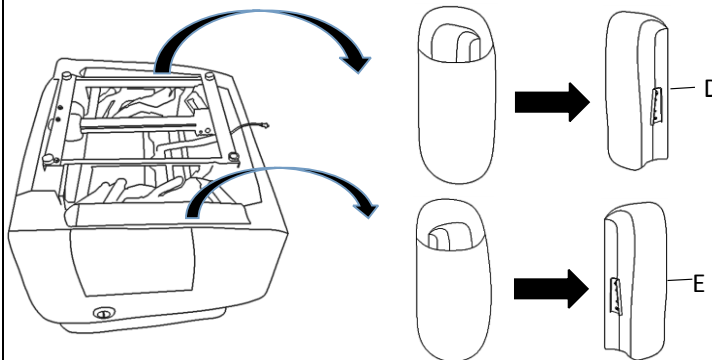
This product has multiple parts and may require up to some 30 minutes to assemble. To give you an overview of the product parts, the above picture is to help you put the various parts into perspective. Please read through the instructions below to familiarise yourself with the parts and steps before assembly.

Step 1



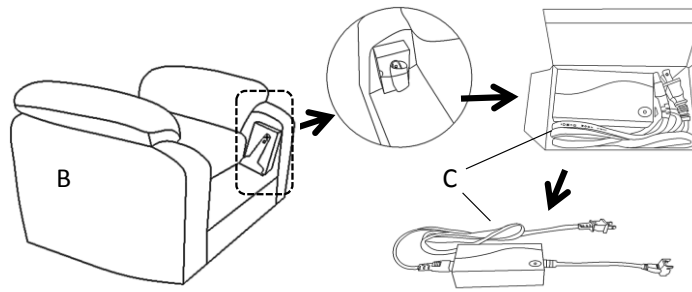
Take out the Chair Backrest(A) from the Chair Base with Footrest(B).

Step 2



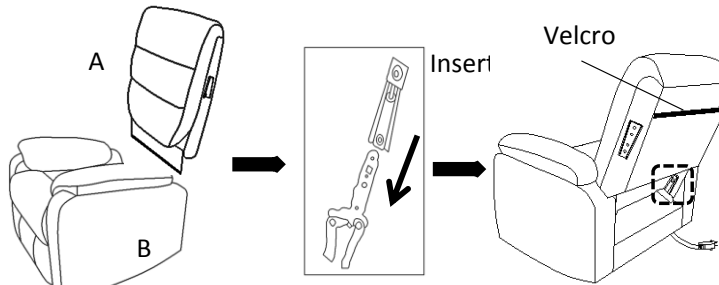
Turn the Chair Base with Footrest(B) upside down on a clean, non-marring surface. Take out the two non-woven bags inside from the bottom of the seat. Then take out the Left Wings(D) and Right Wings(E) from non-woven bags.

Step 3



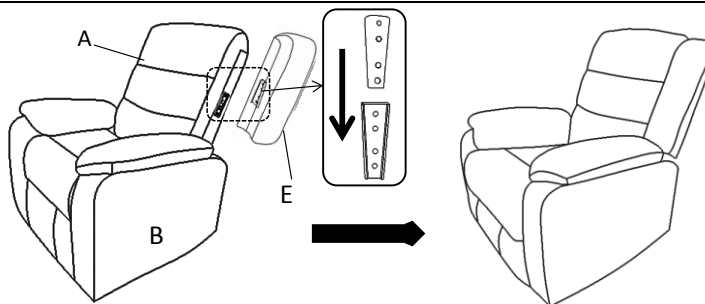
Take out the small carton box and open it to take out the Power Cord with transformer (C).

Step 4



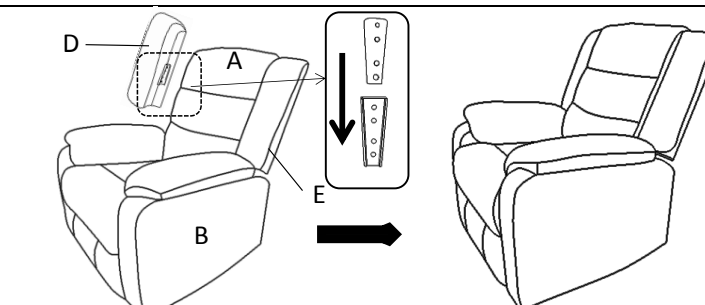
With assistance from your adult partner, hold up the Chair Backrest(A) while standing behind the Chair. Insert the small metal arms on the sides of the Chair Backrest(A) into the prefabricated slide lock gadget on the Chair Base with Footrest(B) as shown above. Firmly but gently, push the Chair Backrest(A) downwards until the Backrest(A) is fully slotted and locked into position.

Step 5



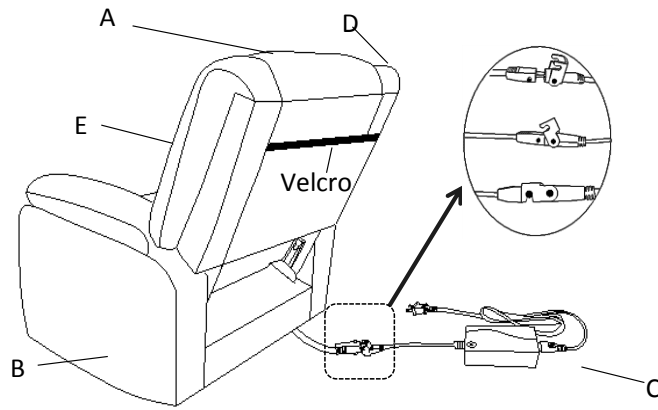
Insert the Right Wing(E) into the right side of Chair Backrest(A) at the slots pressing gently but firmly downwards until they click into place.

Step 6



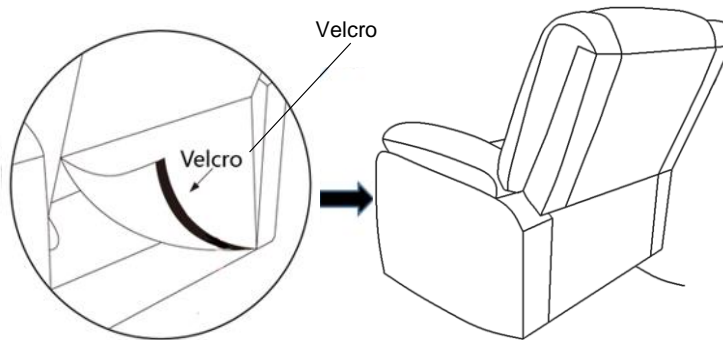
Repeat the same process to insert the Left Wing(D) into the left side of Chair Backrest(A).

Step 7



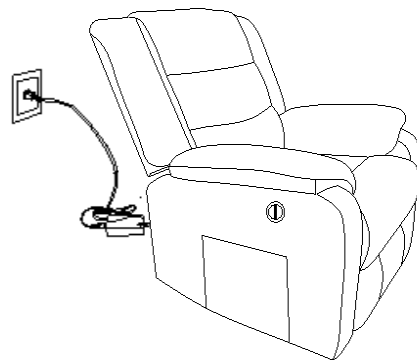
Go to find the motor connector under the bottom of the seat.
Connect the joint from the motor and the Power Cord(C) , fix the draw-ingear after connected.

Step 8



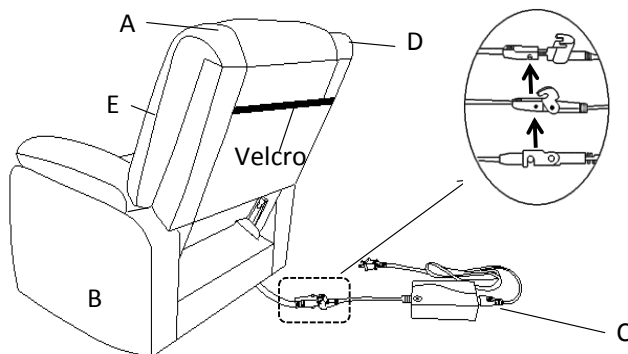
Smooth down the fabric flap on the Chair Backrest(A).
Run your hands down both sides of the flap,from top to bottom,allowing the velcro tape to adhere to the flap under the seat of the Chair.

Step 9



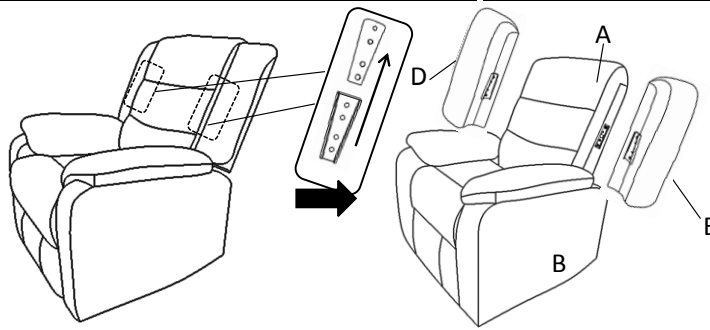
Make sure all parts are connected and securely locked into position.
Plug into a socket into position on the wall or any other place.
Now your Recliner Chair is ready for use.

Step 10



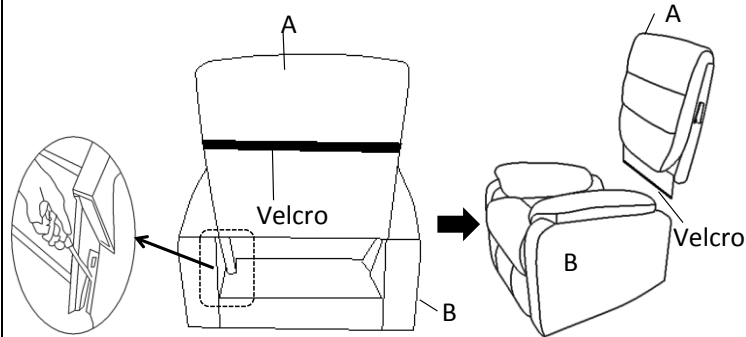
Force apart the draw-ingear , then separate the joint from the motor and Power Cord(C).

Step 11



Push up the Right wing(E) and Left Wing (D) one by one until taken off from the Chair Backrest (A).

Step 12



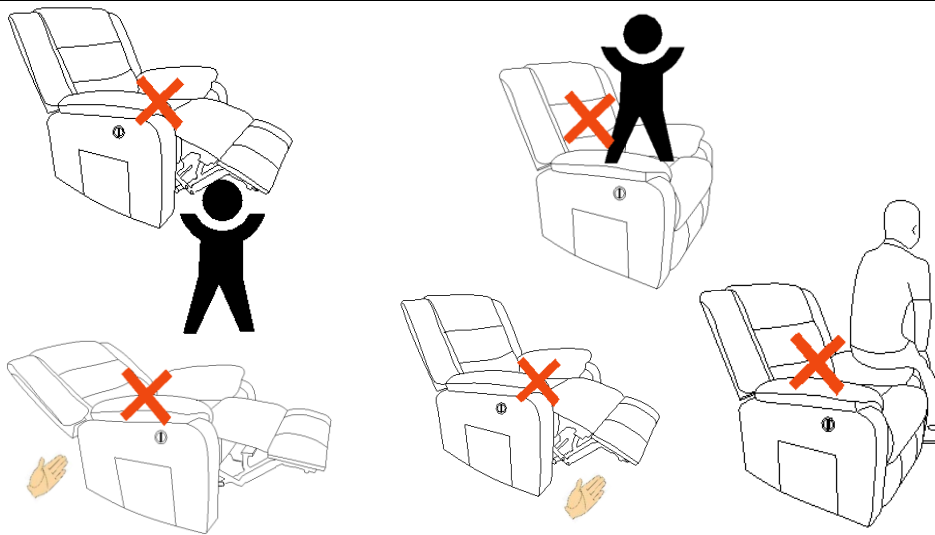
Disassembly Note:open the flap on the Chair Backrest(A),use a screwdriver(Don´ t use fingers) pressing outward on the metal ear on the preattached Metal Bracket on one side of the Chair Base(B),with assistance of you adult partner to keep the Chair Base(B) in place,pull out the Chair Backrest(A) upward at the same time,repeat the same step for another side.Then the Chair Backrest(A) can be taken out.

User Instructions.

Push Back Chair

Please read the Instruction Manual below carefully before use.

Supervise children, when in use of this Power Recliner.

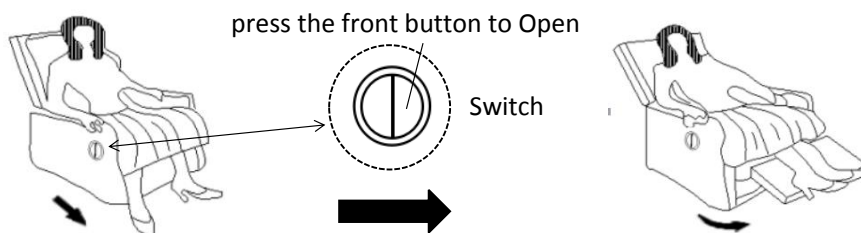


Do not allow children to play on the chair.
Always leave the chair in an upright and closed position after use.
Keep hands and feet clear of the footrest mechanism and any gaps.
Just open it or close it with the button of switch
Don't sit any armrest of chair.

To get into a open position-To press the front button of switch.

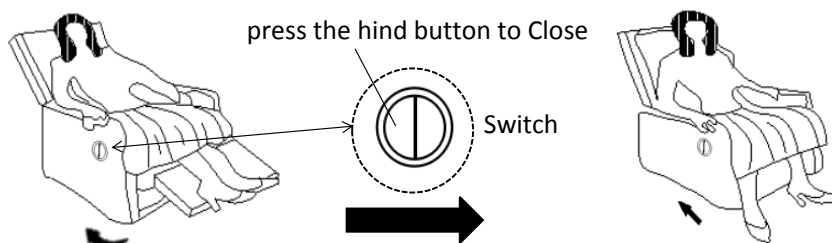
Sit into the seat.

The Chair Backrest will fall down and footrest will open when press the front button of switch, the Chair Backrest by your back. So do must put your feet on footrest well when you press the front button of switch on the outside of right armrest until into a fully reclined position.























To get out of chair-move Seatback into Upright Position: To press the hind button of switch.

Tilt your body weight slightly forward and upwards.
The seat back will come up to an upright position.
Use your finger to press the hind button of switch on the outside of right armrest.
The Chair will close smoothly until into a fully upright position.



Care & Maintenance

-   ● Do not put hot items directly on furniture surface
 -   ● Do not clean furniture with harsh cleansers or polish.
 -   ● Do not place furniture under direct sunlight.
 -   ● Do not place furniture near heating or cooling vents.
 -   ● Do not write on furniture without a padded barrier to protect the surface.
 -   ● Do not place furniture outside . For indoor use only .
 -   ● Not for commercial use. For residential use only .
 -   ● Stains may be removed with mild soap solution and damp cloth.
 -   ● Children should not climb or jump on the furniture.
-
-   ● Dust and pick-up spills using a clean, non-colored, lint-free cloth .

Questions & Answers about Proposition 65

• What is Proposition 65?

Proposition 65 requires businesses to provide warnings to Californians about significant exposures to chemicals that cause cancer, birth defects or other reproductive harm. These chemicals can be in the products that Californians purchase, in their homes or workplaces, or that are released into the environment. By requiring that this information be provided, Proposition 65 enables Californians to make informed decisions about their exposures to these chemicals.

Proposition 65 also prohibits California businesses from knowingly discharging significant amounts of listed chemicals into sources of drinking water.

Proposition 65 requires California to publish a list of chemicals known to cause cancer, birth defects or other reproductive harm. This list, which must be updated at least once a year, has grown to include approximately 900 chemicals since it was first published in 1987.

• What types of chemicals are on the Proposition 65 list?

The list contains a wide range of naturally occurring and synthetic chemicals that include additives or ingredients in pesticides, common household products, food, drugs, dyes, or solvents. Listed chemicals may also be used in manufacturing and construction, or they may be byproducts of chemical processes, such as motor vehicle exhaust.

• What does a warning mean?

If a warning is placed on a product label or posted or distributed at a workplace, a business, or in rental housing, the business issuing the warning is aware or believes that it is exposing individuals to one or more listed chemicals.

By law, a warning must be given for listed chemicals unless the exposure is low enough to pose no significant risk of cancer or is significantly below levels observed to cause birth defects or other reproductive harm.

• Where can I get more information on Proposition 65?

If you have specific questions on the administration or implementation of Proposition 65, you can contact OEHHA's Proposition 65 program at P65.Questions@oehha.ca.gov, or by phone at (916) 445-6900.