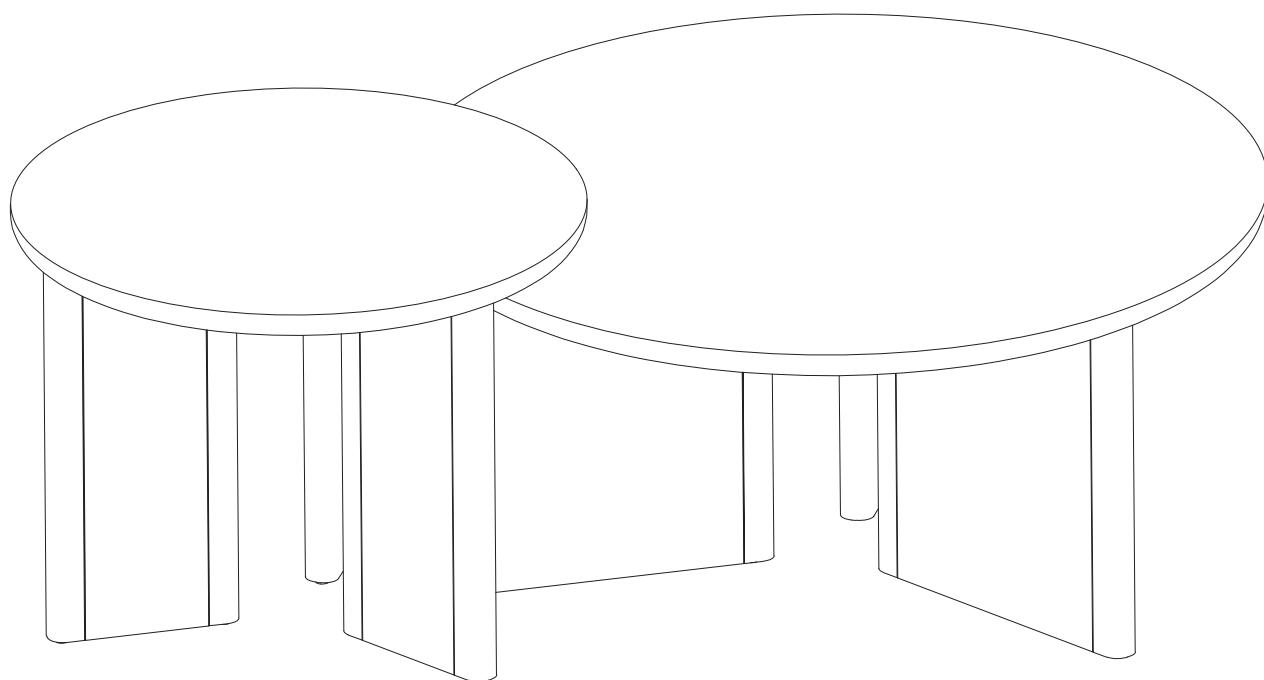


Let's build the

Davis Nesting Coffee Tables

SKU 31110



Scan me!

Free Lifetime
Guarantee

 nathan james

25-1113-VN

Ok, let's get rolling

This should be easy, just follow our instructions and you will be back to Netflix in no time.

Estimated time for assembly



30:00

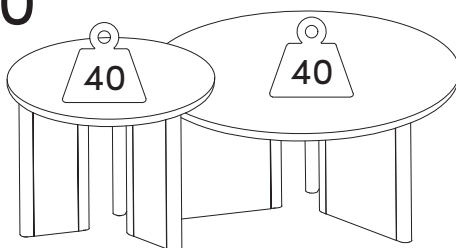
What you need

- Some of your favourite bubbly or your preferred relaxant
- Use the packaging carton as a working surface to prevent product damage during assembly

Do not use a drill



Weight Limitation



Large Tabletop Max. Capacity : 40lbs
Small Table Max. Capacity : 40lbs

Toll-free at 1-866-619-1004
Help@nathanjames.com
Nathanjames.com/help

What's included

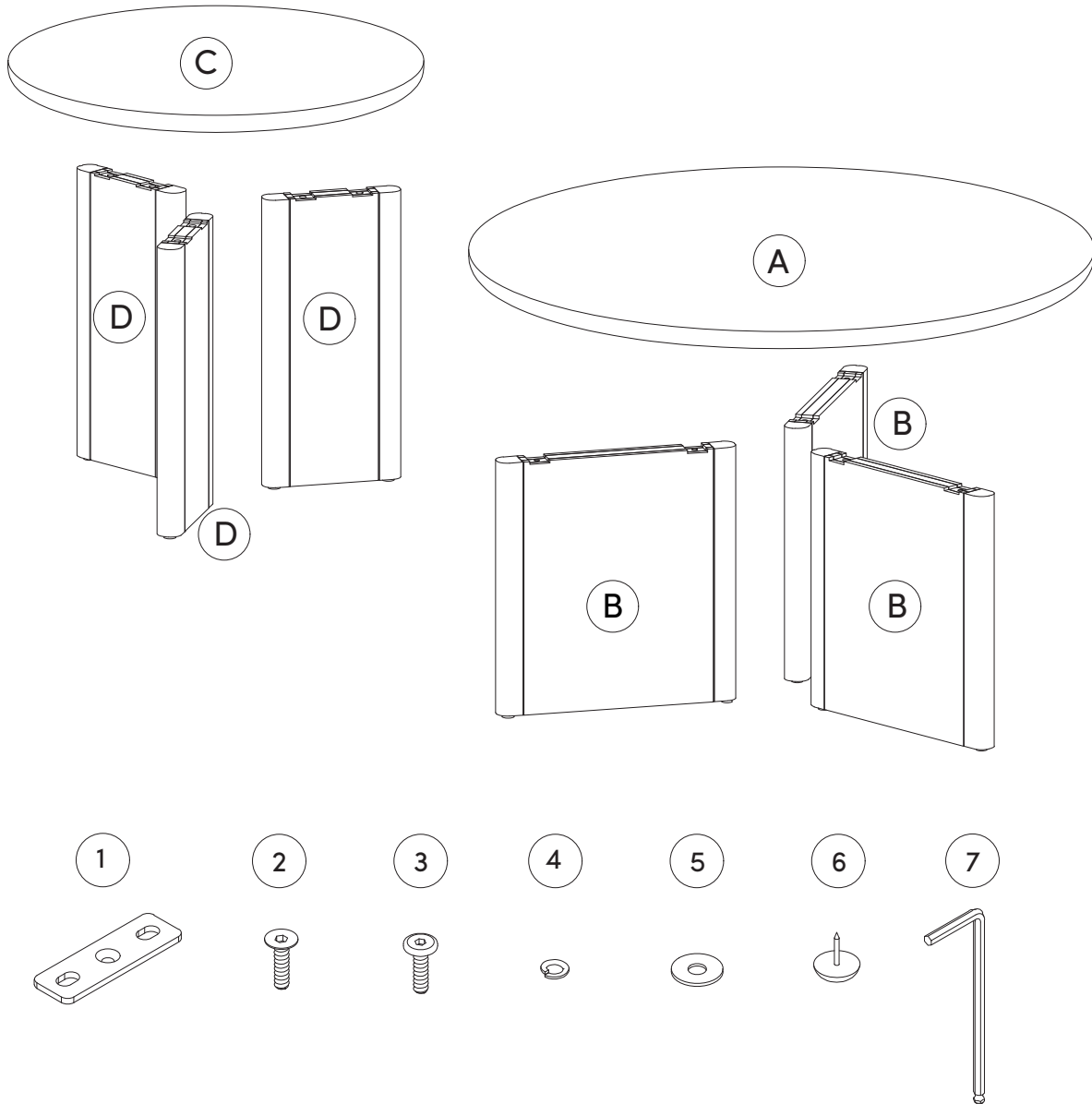
Description	Qty
A Tabletop - Large Table	1
B Leg - Large Table	3
C Tabletop - Small Table	1
D Leg - Small Table	3
1 Metal Plate	12
2 Ø1/4" x 20mm Countersunk Bolt	12
3 Ø1/4" x 20mm Hex Button Head Bolt	24
4 Ø1/4" x 10mm Spring Washer	24
5 Ø1/4" x 19mm Flat Washer	24
6 Plastic Nailhead Feet (Extra)	3
7 Allen key	1

Scan me!

Free Lifetime
Guarantee



The goods



IMPORTANT

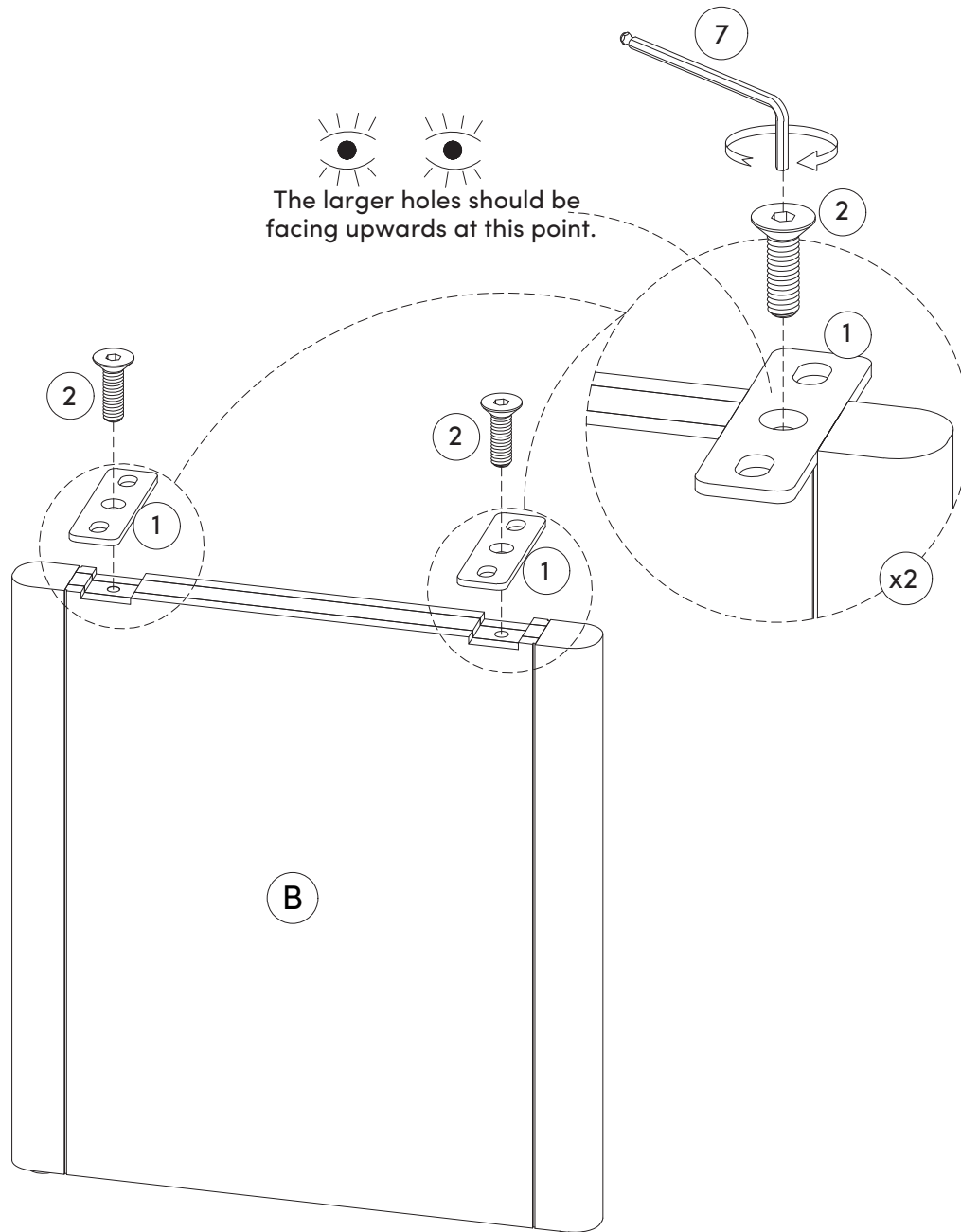
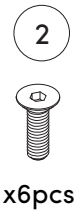
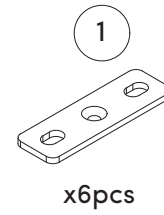
1. Do not tighten bolts / screws completely until all bolts / screws are lined up and inserted into holes.
2. Do not over tighten screws and bolts to avoid stripping.
3. Please use hand tools to assemble this product. Do not use power tools.

Step 1

Let's get this thing fired up!

Secure two Metal Plates (1) to each Leg - Large Table (B) using the Allen Key (7) and the $\text{\O}1/4"$ x 20mm Countersunk Bolt (2).

Repeat this process three times for each Leg - Large Table (B).



Repeat this process three times for each of the Leg-Large Table.

Step 2

Slide the Spring Washers (4) and Flat Washers (5) onto the Bolts (3). Use this hardware and the Allen Key (7) to secure the Legs - Large Table (B) in place.

3



x12pcs

4

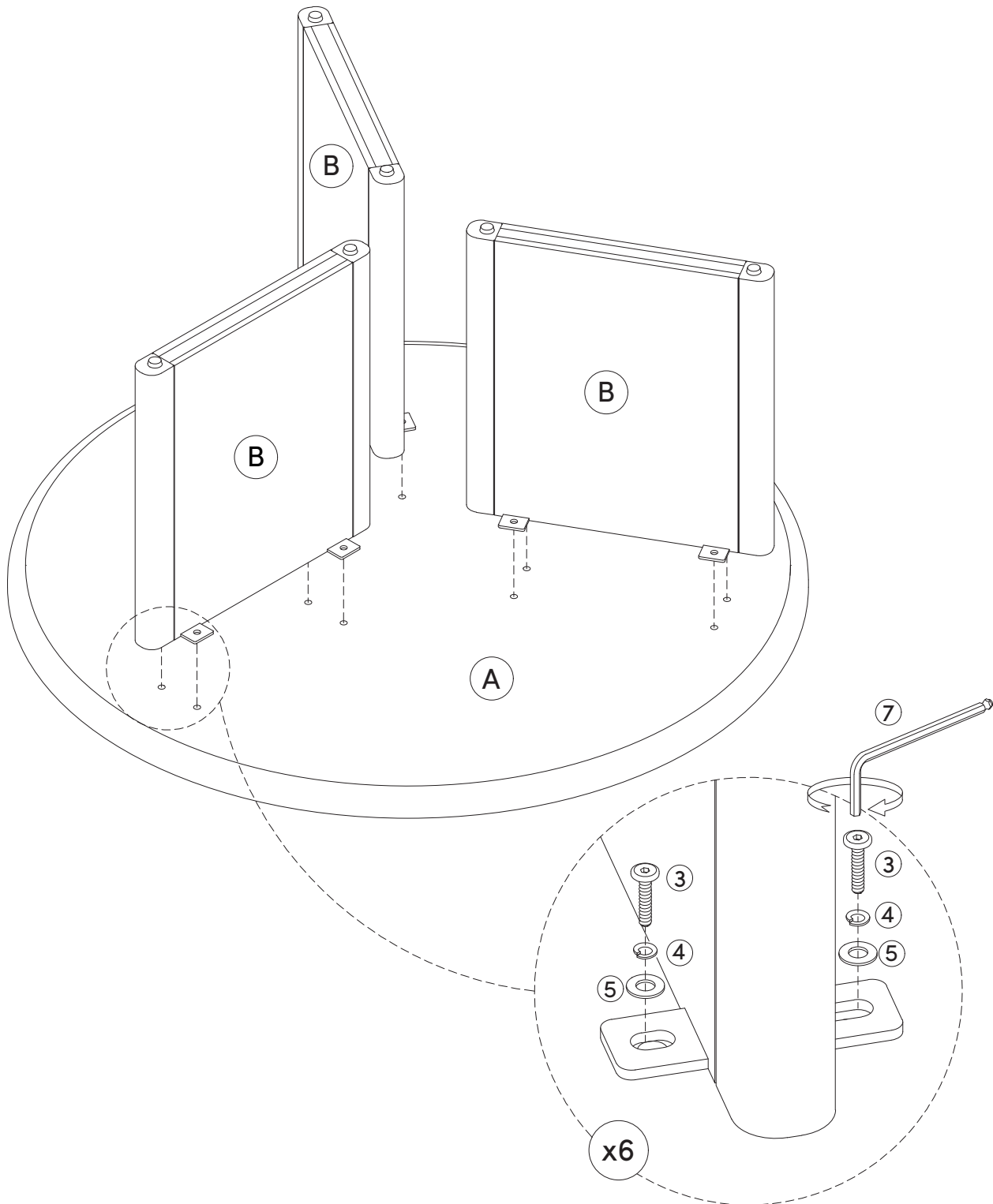


x12pcs

5

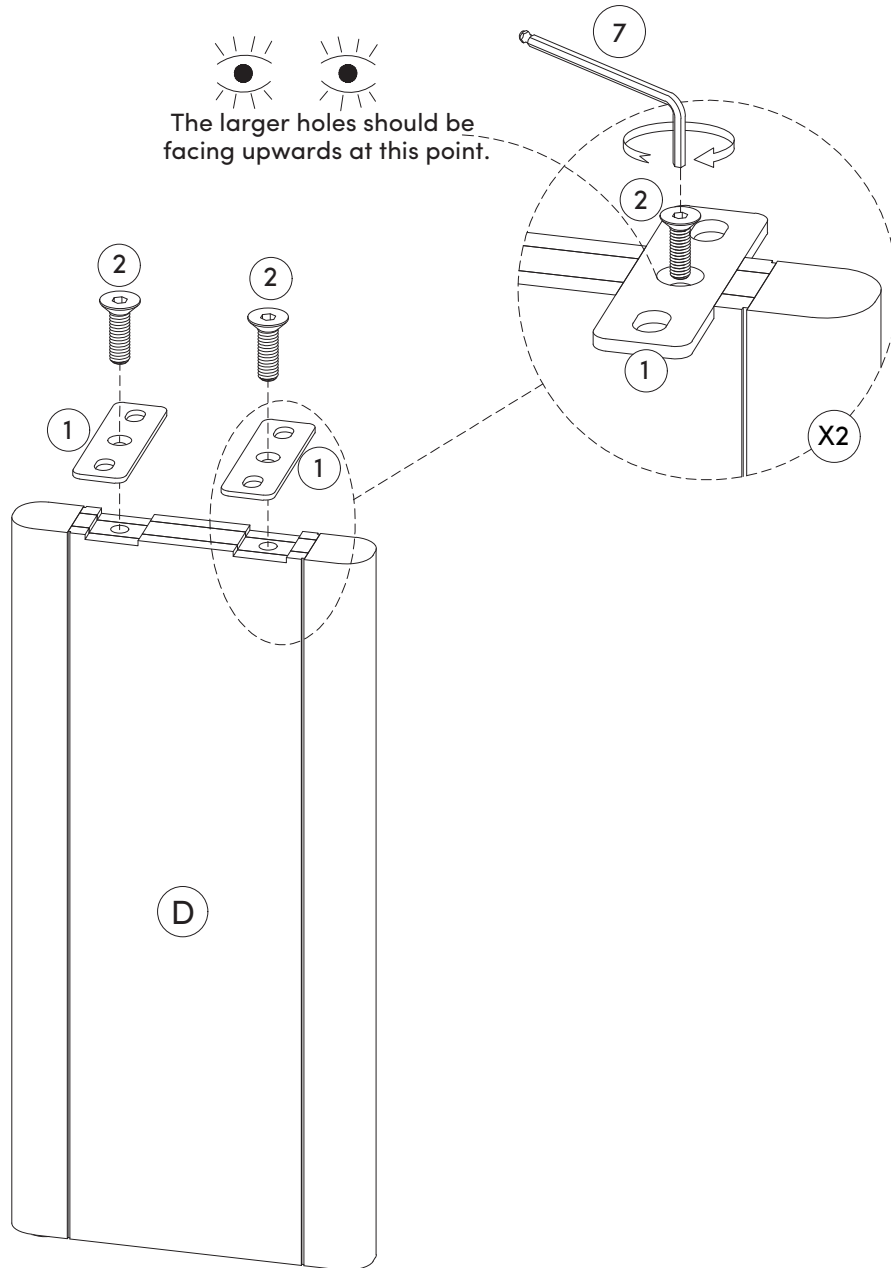
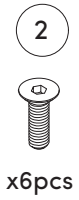
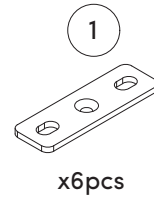



x12pcs



Step 3

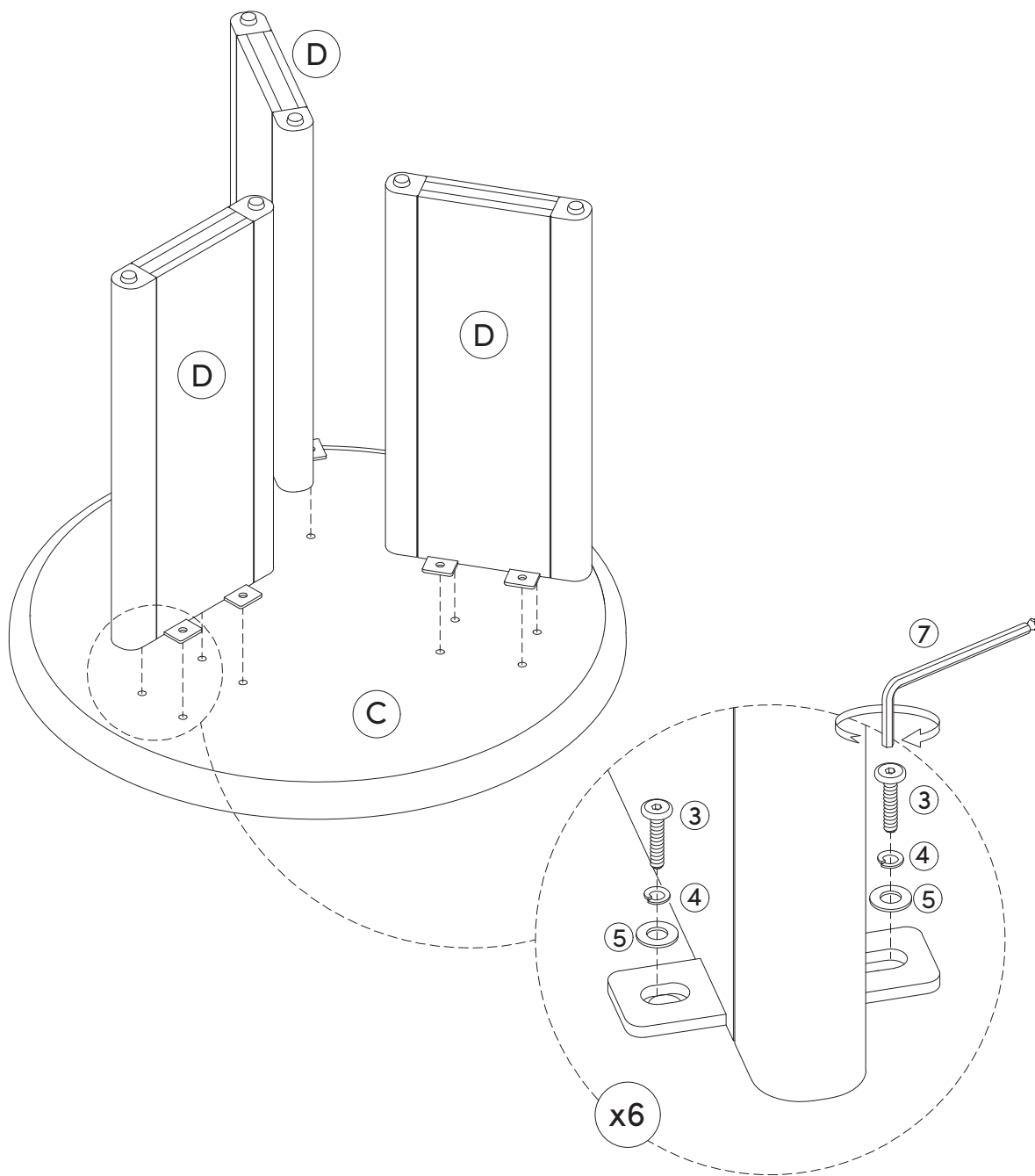
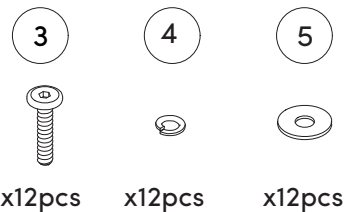
Secure two Metal Plates (1) to each Leg - Small Table (D) using the Allen Key (7) and the $\text{Ø}1/4"$ x 20mm Countersunk Bolt (2). Repeat this process three times for each Leg - Small Table (D).



 Repeat this process three times for each of the Leg-Small Table.

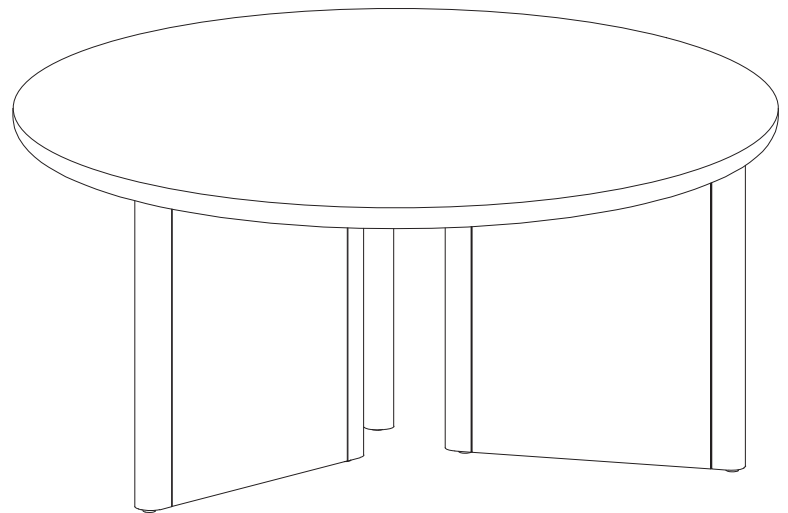
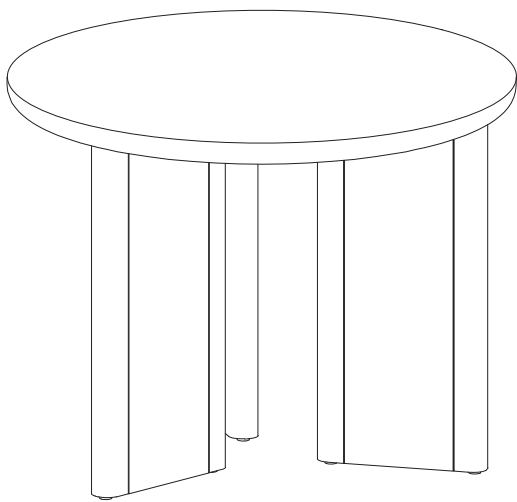
Step 4

Slide the Spring Washers (4) and Flat Washers (5) onto the Bolts (3). Use this hardware and the Allen Key (7) to secure the Legs - Small Table (D) in place.



Step 5

Congratulations - your work here is done!
Now sit back, relax, and turn on
your favorite Netflix show!



No heartburn, when we handle the return

Give us a call **1-866-619-1004** or shoot us a message at **help@nathanjames.com** we will issue you a free replacement with **zero hassle**.

Our way



Give us a call



Replacement



You

Their way



Re-package item



Schedule pick up



Track package



Replacement



You

We really don't want you to go through the hassle of re-packaging your item and sending it back, because let's be honest...nobody has time for that.

Safety first, fun later

We want your product to last as long as possible, so we recommend that you tighten the screws 2 weeks after assembly and for added safety check the tightness of all screws every 2 months.

For proper care and treatment, please check our website at NathanJames.com/products

Safe use of this product starts with you.

Use this product responsibly with the primary concern for your safety. Follow assembly instructions carefully and inspect product upon receipt and each use.

Nathan James and its parent companies cannot be held legally responsible for any injuries or death resulting from failure to follow instructions or improper use of this product.

Do not modify the structure of this product in any way.

Our products have been tested to meet specific safety measures as they were originally intended to be sold. Any modifications will present the risk of creating significant safety issues which NJ will not be responsible for.

Proper use

- DO NOT** use for commercial purposes
- DO NOT** frolic on table
- DO NOT** use table as foot stool
- DO NOT** leave spilled liquid on table
- DO NOT** use table if damaged
- DO NOT** make temporary repairs
- DO NOT** use outdoors

We are only in business if you're happy

For starters, thanks for being you.

☎ Toll-free at 1-866-619-1004

✉ Help@nathanjames.com

🌐 NathanJames.com/help

We do our best to ensure your furniture arrives without any problems, but occasionally mistakes happen—as humans we are imperfect beings. In the event that a part is damaged or missing, we will be more than happy to provide you with replacement part(s) for free.

Lifetime Guarantee

We believe in making things that last. That's why every product is backed by our Lifetime Guarantee. No hidden clauses. No runaround. If it breaks, we'll replace it—plain and simple. This isn't just a promise—it's our commitment to quality, and to you.

This product comes with a Lifetime Guarantee from the date of purchase. Please use your phone to scan the QR code on the cover of this booklet to register your product or visit <https://goo.gl/i9dk3q>



Did we do alright? Please spread the love!

If you are happy with your product, tell your friends and family about us or even better leave us a review online. Spreading the word gives us the opportunity to make more people happy and keep our prices low for your next purchase.

Brooke Burdon

Founder, Nathan James