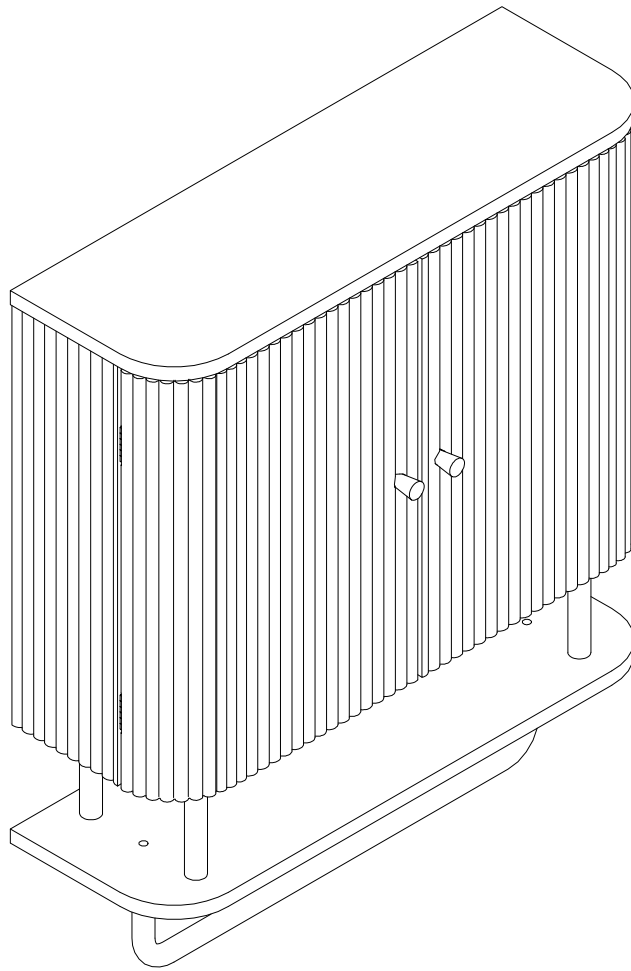


# Assembly Instructions

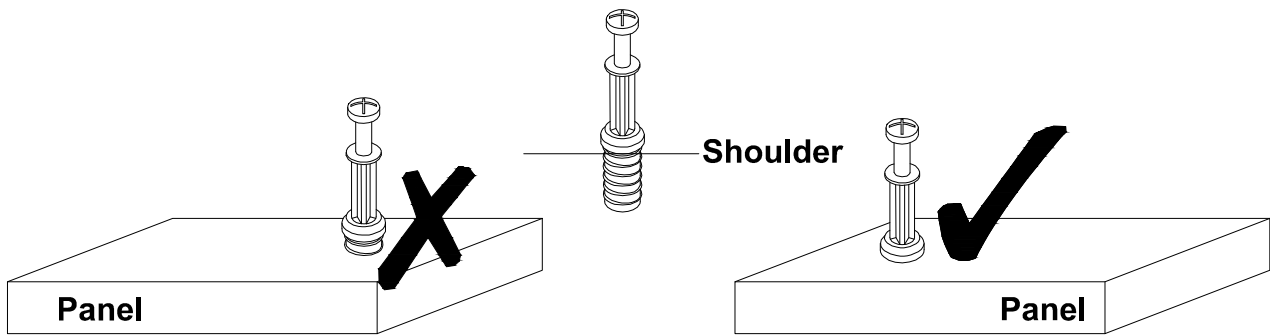


# Before Assembly

## Tips Before Your Start:

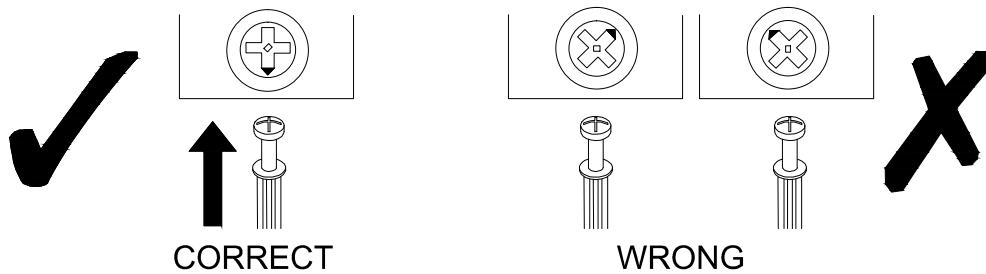
- Remove all wrapping material, including staples & packing straps before you start to assemble.
- DO NOT tighten all screws and bolts until the assembly is completely assembled.
- Keep all hardware parts out of reach of children.

## QUICKFIT



Tighten quickfit until shoulder is flush with panel. Do not overtighten or undertighten.

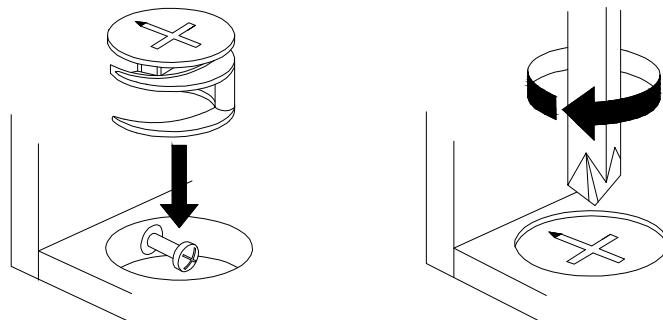
## CAM LOCK



When fitting a cam lock, ensure the starting position is correct before inserting the connecting QUI CKFIT

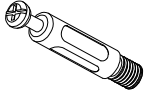
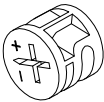

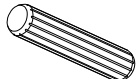
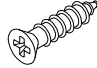
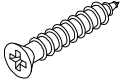
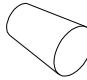
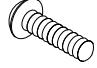

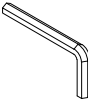
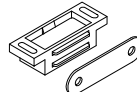
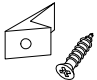
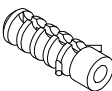
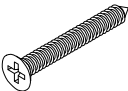
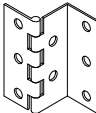
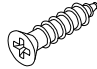
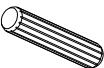
Quickfit head should be in the centre of the cam lock when the two panels are joined.

Cam lock should be inserted before quickfit.

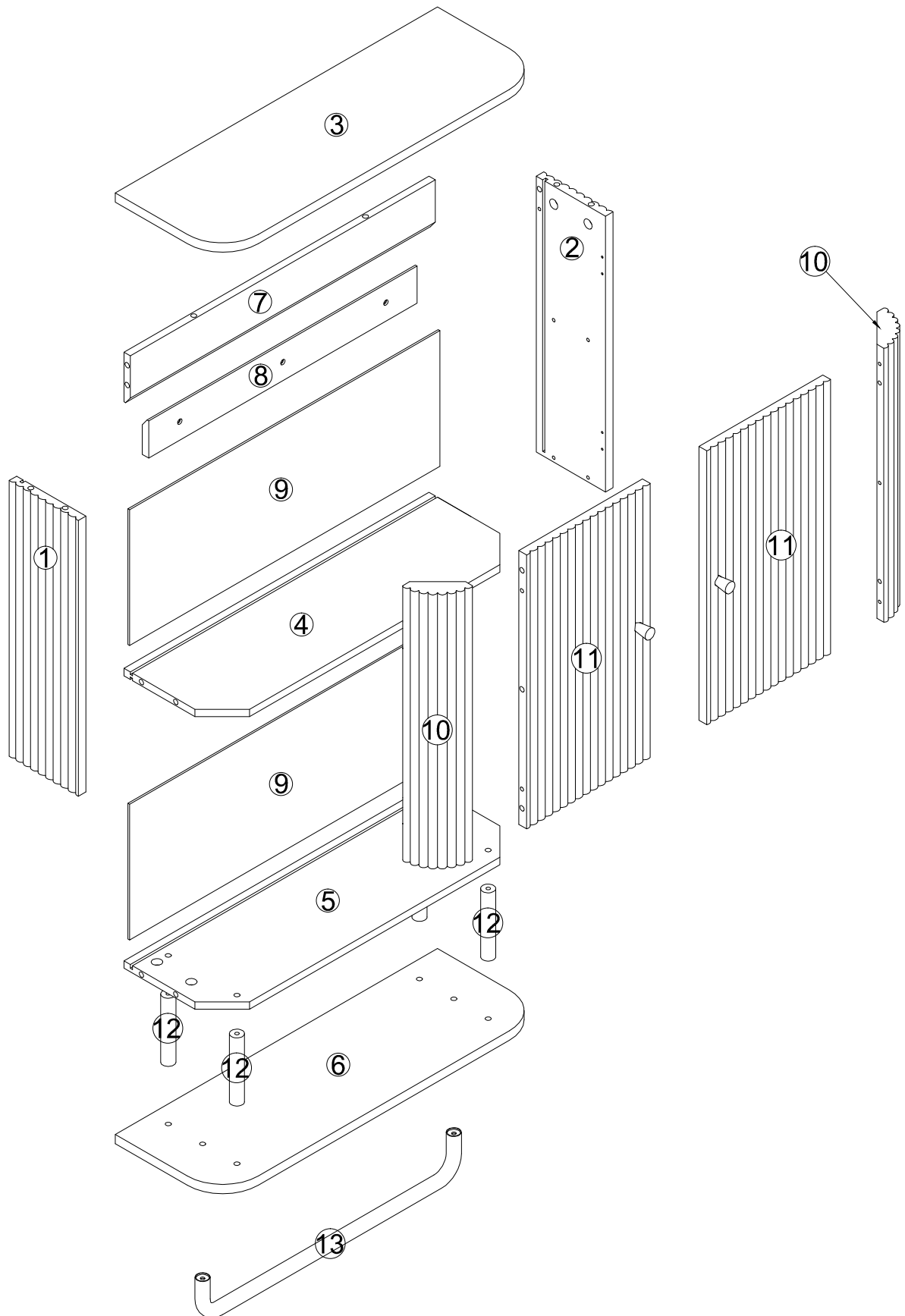


Turn cam lock clockwise to tighten.

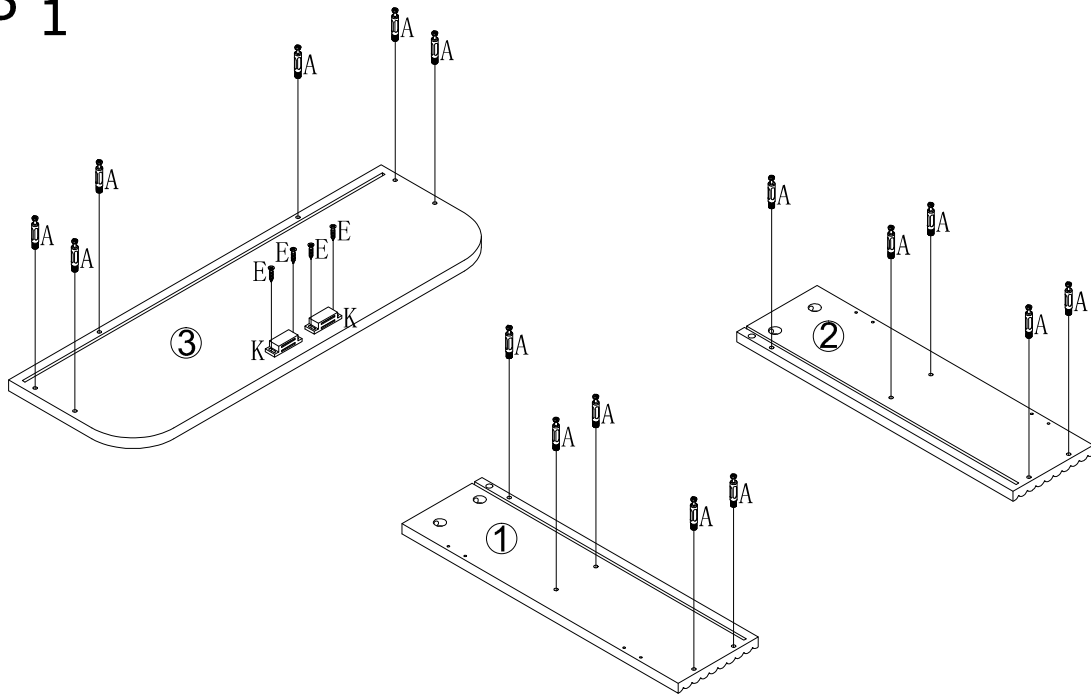
# Part List

<p><b>No. A</b> Quantity:22 Pcs Cam Lock Dowel 8*28mm</p> 	<p><b>No. B</b> Quantity:22 Pcs Cam φ15</p> 	<p><b>No. C</b> Quantity:22 Pcs Sticker Ø20</p> 	<p><b>No. D</b> Quantity:2 Pcs Dowel 8*30mm</p> 
<p><b>No. E</b> Quantity:4 Pcs Screw M3.5*14mm</p> 	<p><b>No. F</b> Quantity:8 Pcs Screw M3.5*20mm</p> 	<p><b>No. G</b> Quantity:2 Pcs Handle Ø20*23mm</p> 	<p><b>No. H</b> Quantity:2 Pcs Screw M4*14mm</p> 
<p><b>No. I</b> Quantity:10 Pcs Screw M6*20mm</p> 	<p><b>No. J</b> Quantity:1 Pc Allen Key 4#</p> 	<p><b>No. K</b> Quantity:2 Sets Magnetic Door Catcher</p> 	<p><b>No. L</b> Quantity:6 Sets Plastic Wedge</p> 
<p><b>No. M</b> Quantity:3 Pcs Expansion bolt M8*40mm</p> 	<p><b>No. N</b> Quantity:3 Pcs Screw M5*60mm</p> 	<p><b>No. O</b> Quantity:4 Pcs Hinge</p> 	<p><b>No. P</b> Quantity:12 Pcs Screw M3.5*12mm</p> 
<p><b>No. Q</b> Quantity:4 Pcs Dowel 6*30mm</p> 			

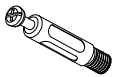
# Product structure



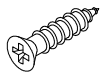
# STEP 1



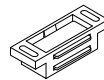
No. A  
Quantity: 16 Pcs  
8\*28 mm



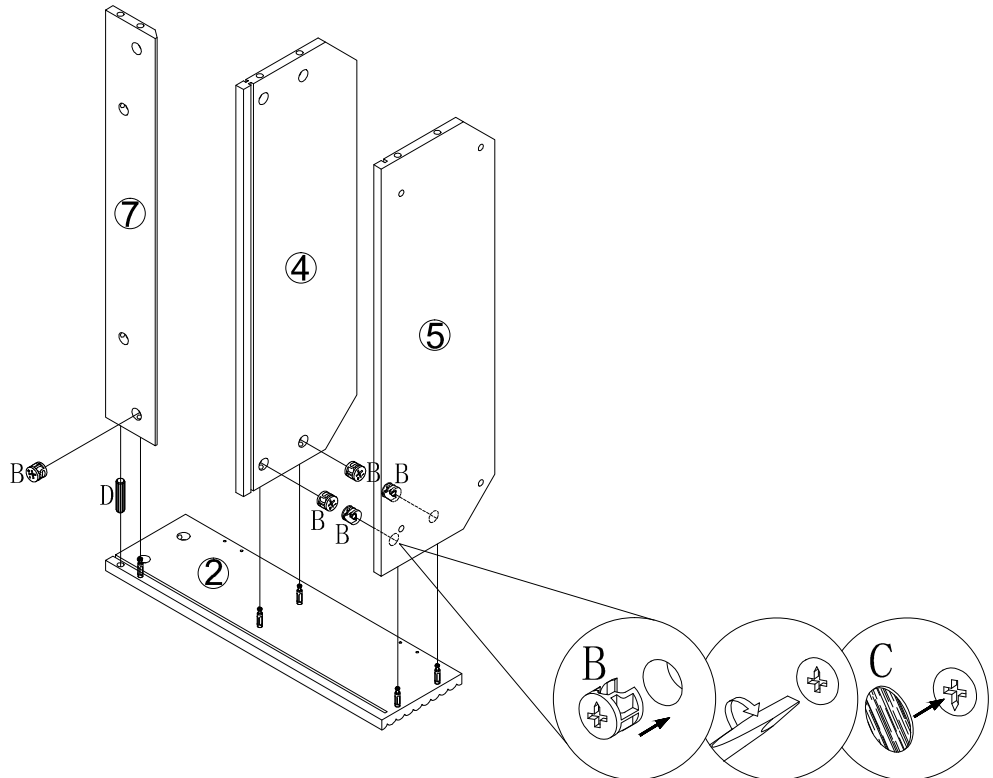
No. E  
Quantity: 4 Pcs  
M3.5\*14mm



No. K  
Quantity: 2 Pcs



# STEP 2



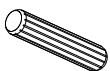
No. B  
Quantity: 5 Pcs  
Ø15



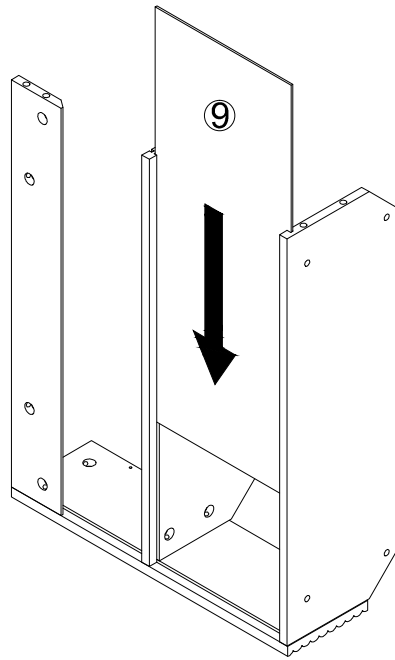
No. C  
Quantity: 5 Pcs  
Ø20



No. D  
Quantity: 1 Pcs  
8\*30mm



# STEP 3



# STEP 4

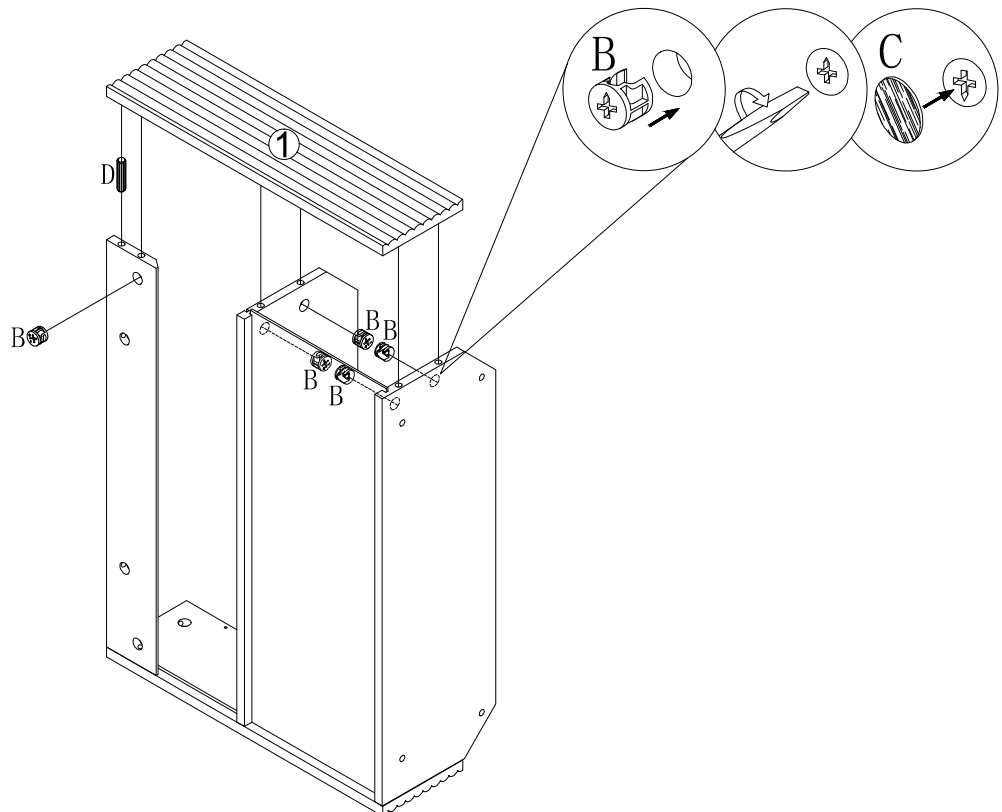
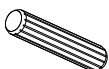
No. B  
Quantity: 5 Pcs  
Ø15



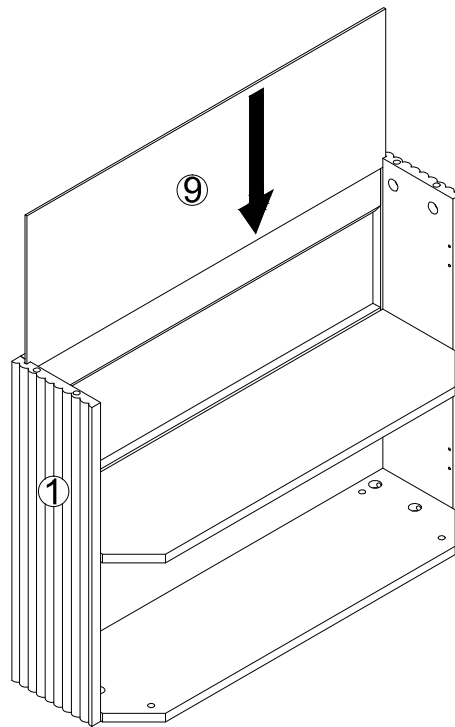
No. C  
Quantity: 5 Pcs  
Ø20



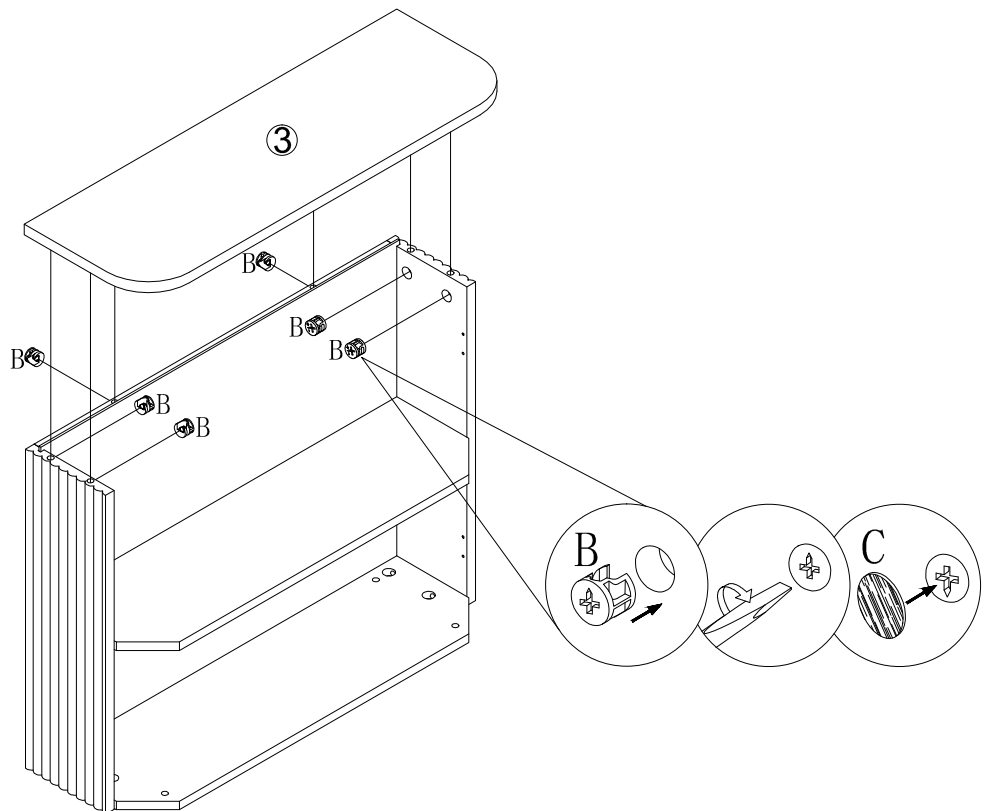
No. D  
Quantity: 1 Pcs  
8\*30mm



# STEP 5



# STEP 6



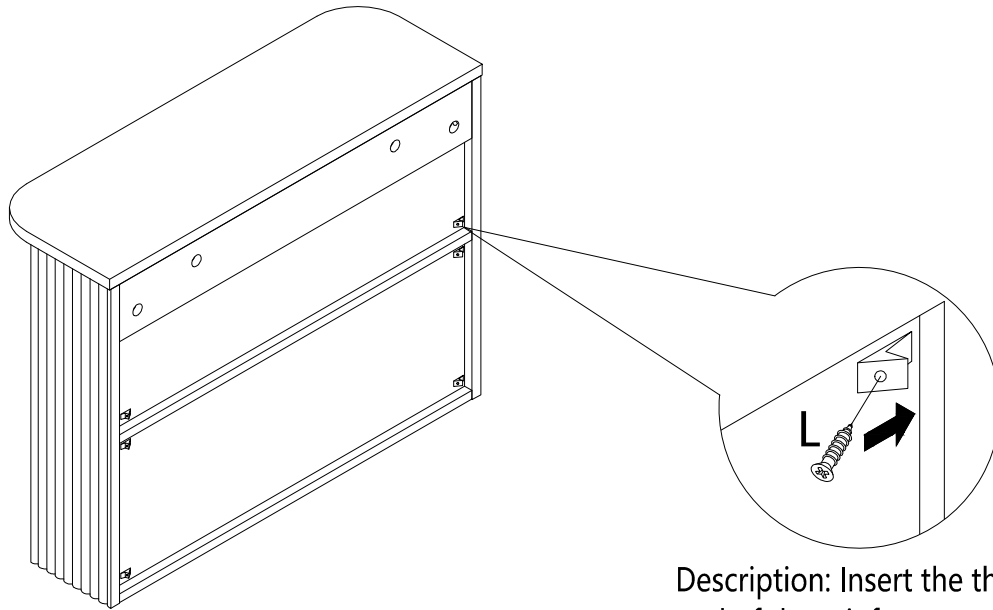
No. B  
Quantity: 6 Pcs  
Ø15



No. C  
Quantity: 6 Pcs  
Ø20



## STEP 7

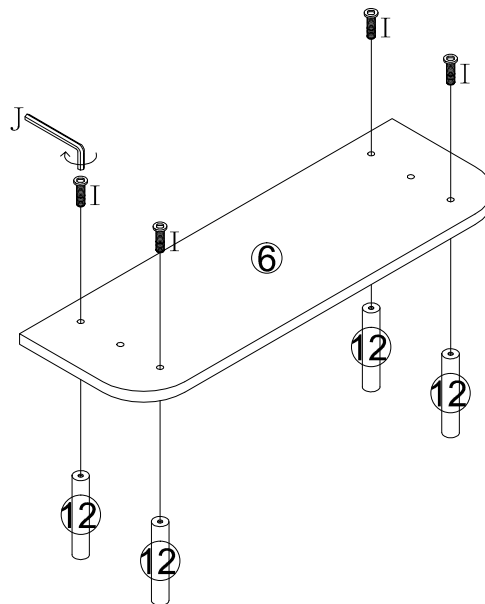


Description: Insert the thinner end of the reinforcement into the gap in this back panel, then tighten the screws. This will make the cabinet more stable.

No. L  
Quantity: 6 Sets



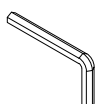
## STEP 8



No. I  
Quantity: 4 Pcs  
M6\*20mm



No. J  
Quantity: 1 Pc  
4#

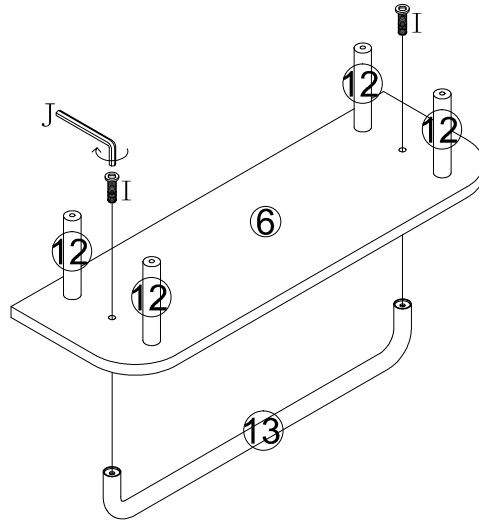
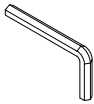


# STEP 9

No. I  
Quantity: 2 Pcs  
M6\*20mm



No. J  
Quantity: 1 Pc  
4#

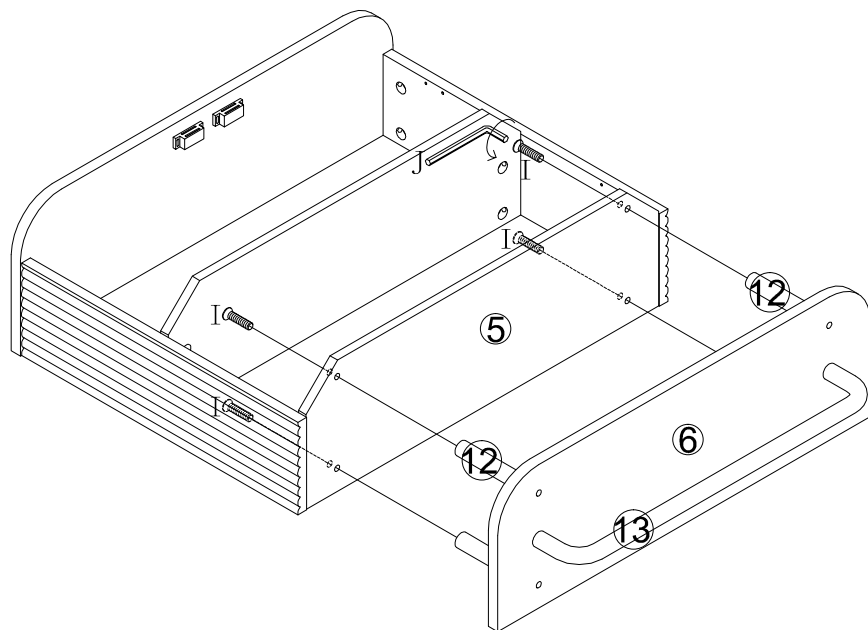


# STEP 10

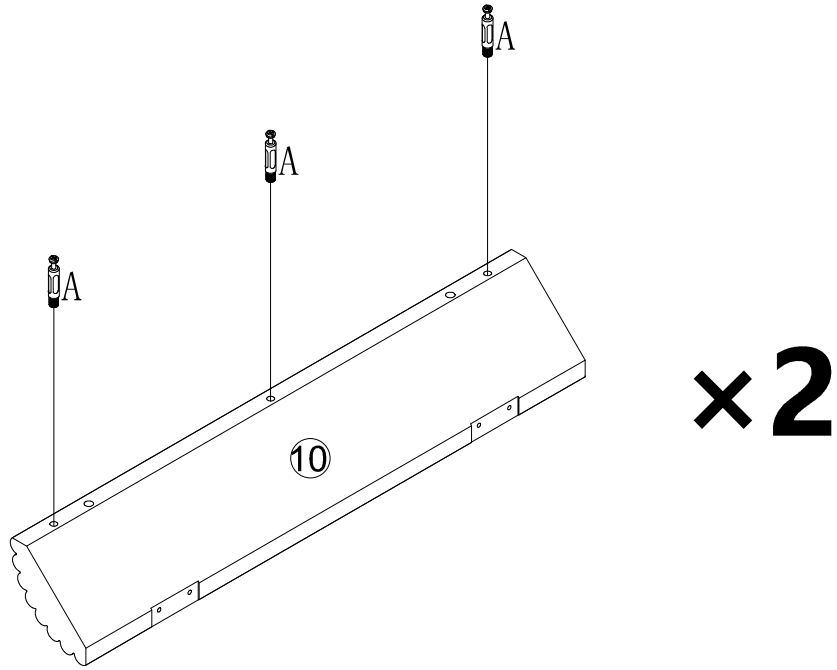
No. I  
Quantity: 4 Pcs  
M6\*20mm



No. J  
Quantity: 1 Pc  
4#



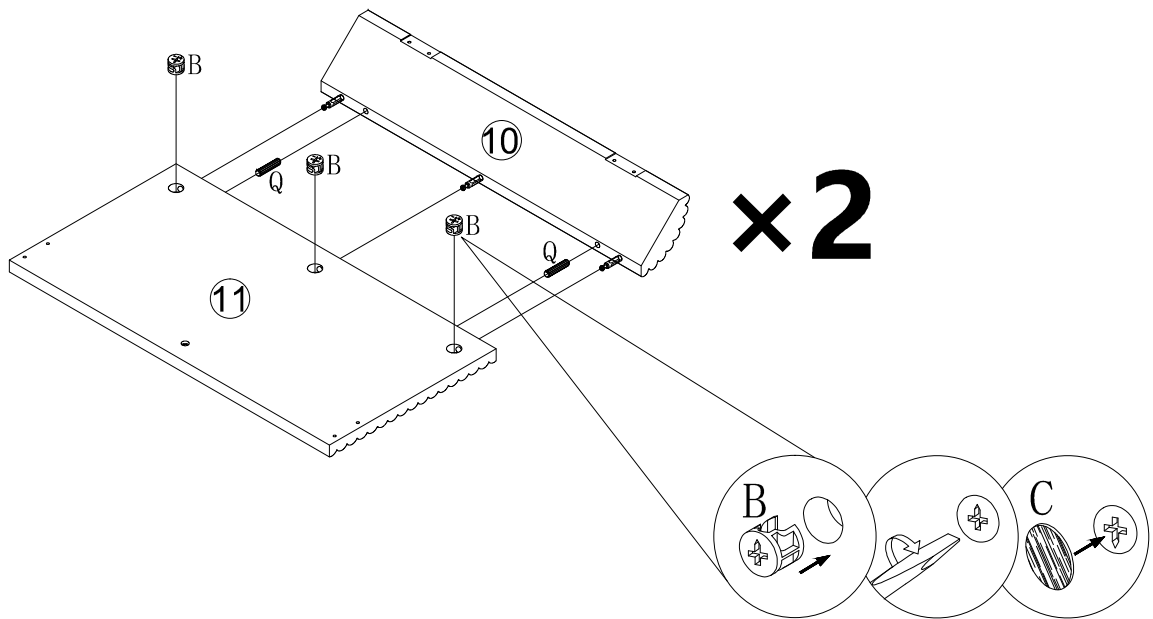
# STEP 11



No. A  
Quantity: 6 Pcs  
8\*28 mm



# STEP 12



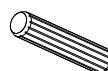
No. B  
Quantity: 6 Pcs  
Ø15



No. C  
Quantity: 6 Pcs  
Ø20

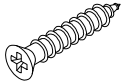


No. Q  
Quantity: 4 Pcs  
6\*30mm



# STEP 13

No. F  
Quantity: 8 Pcs  
M3.5\*20mm



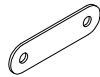
No. G  
Quantity: 2 Pcs  
Ø20\*23mm



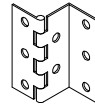
No. H  
Quantity: 2 Pcs  
M4\*14mm



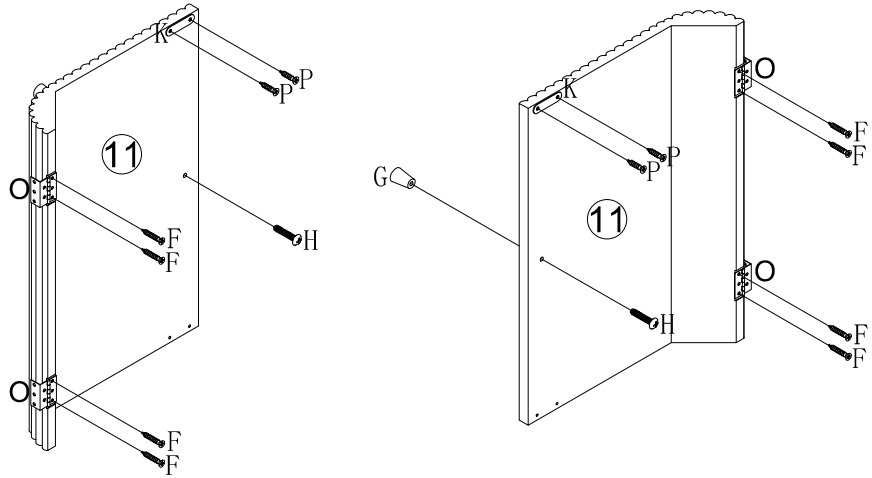
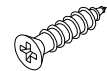
No. K  
Quantity: 2 Pcs



No. O  
Quantity: 4 Pcs

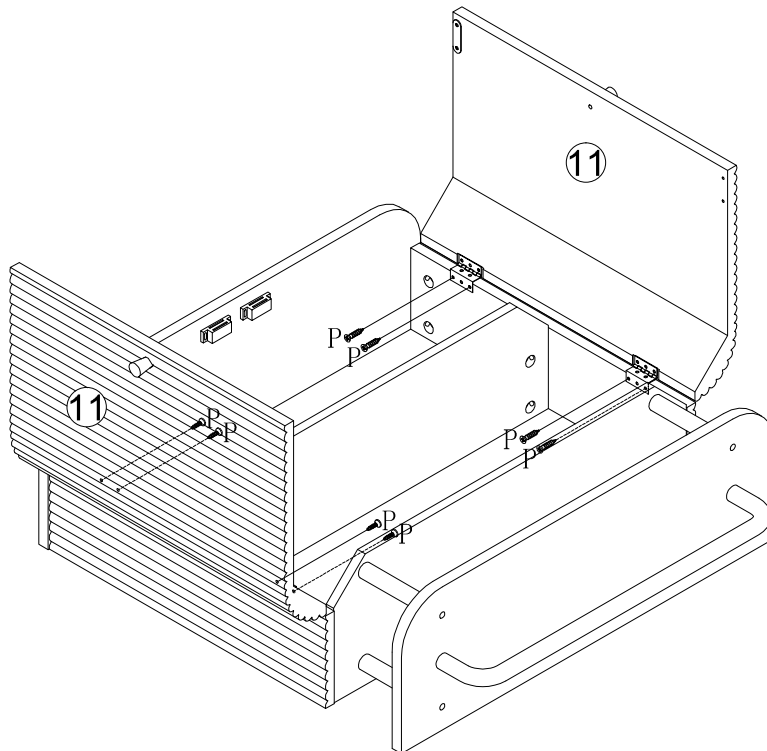


No. P  
Quantity: 4 Pcs  
M3.5\*12mm

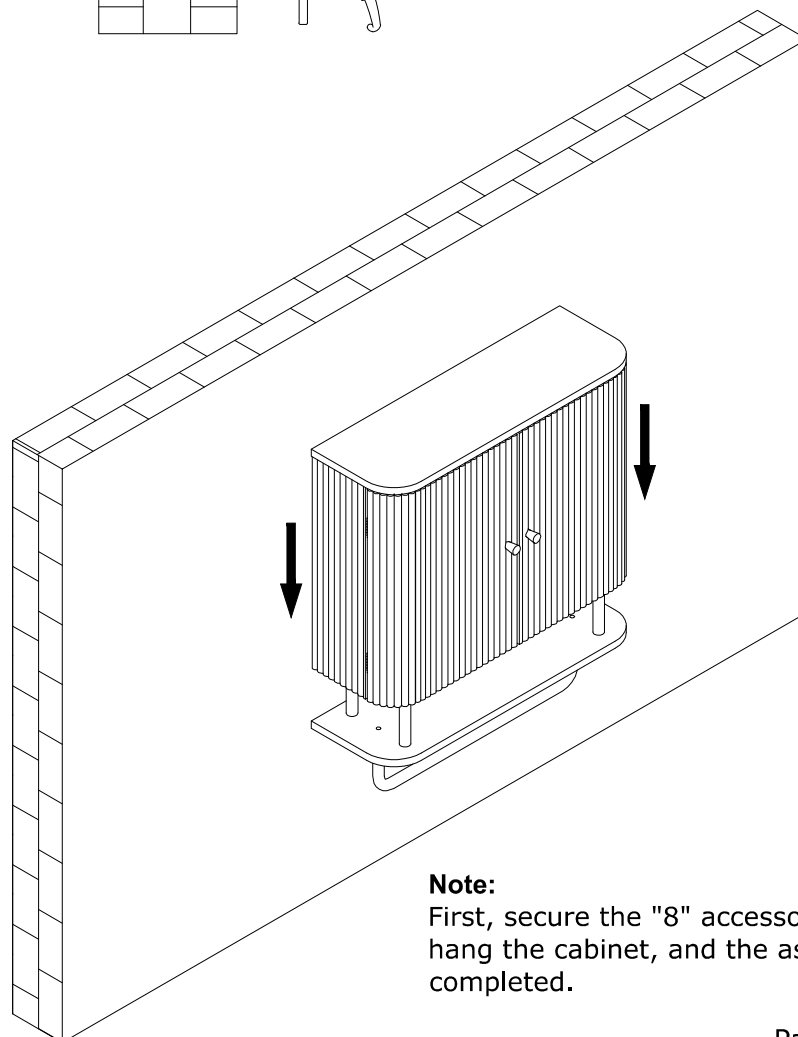
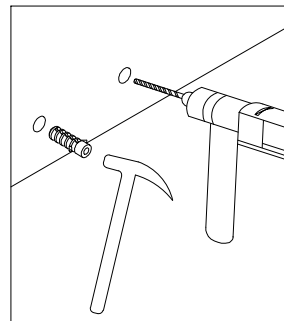
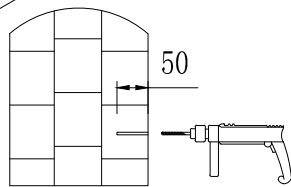
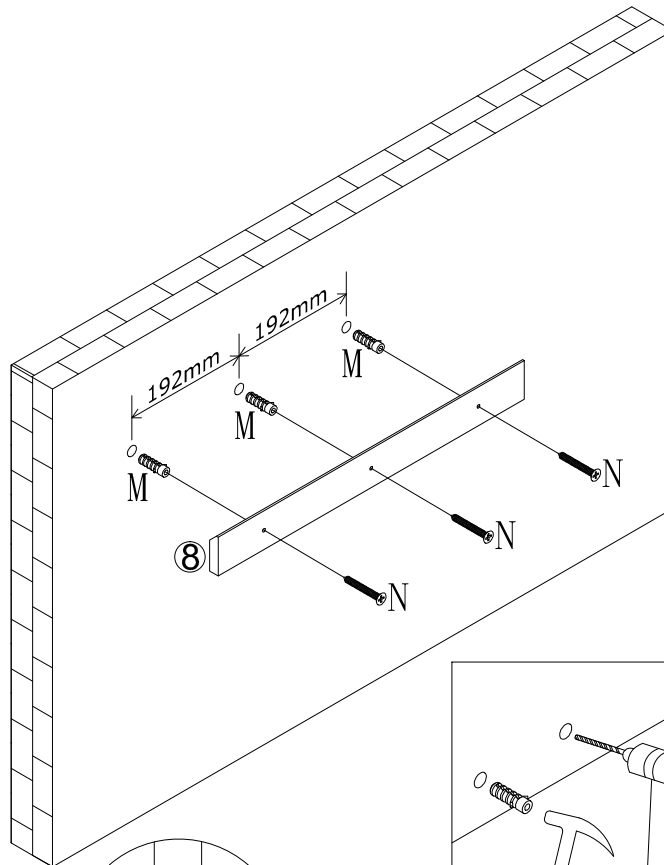


# STEP 14

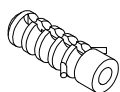
No. P  
Quantity: 8 Pcs  
M3.5\*12mm



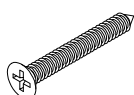
# STEP 15



No. M  
Quantity: 3 Pcs  
M8\*40mm



No. N  
Quantity: 3 Pcs  
M5\*60mm



**Note:**  
First, secure the "8" accessories, then hang the cabinet, and the assembly is completed.