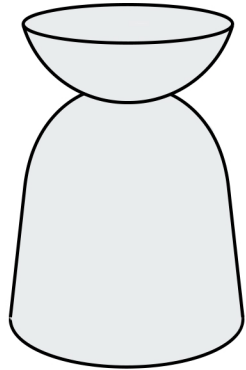
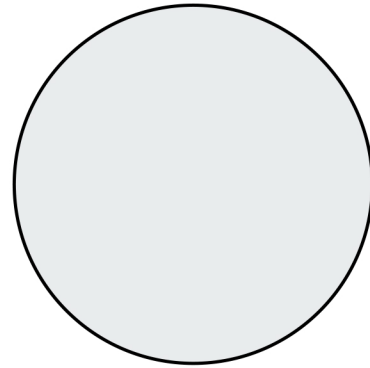


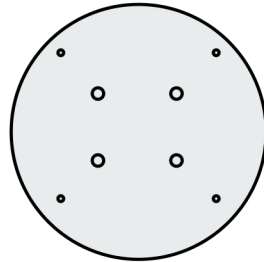
1



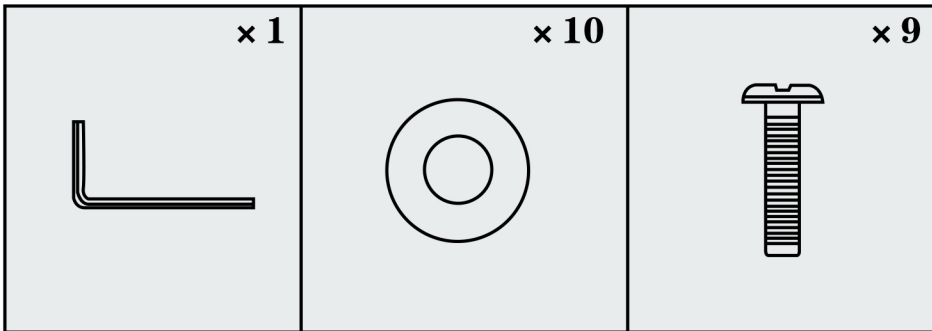
② × 1



① Stone table top x1

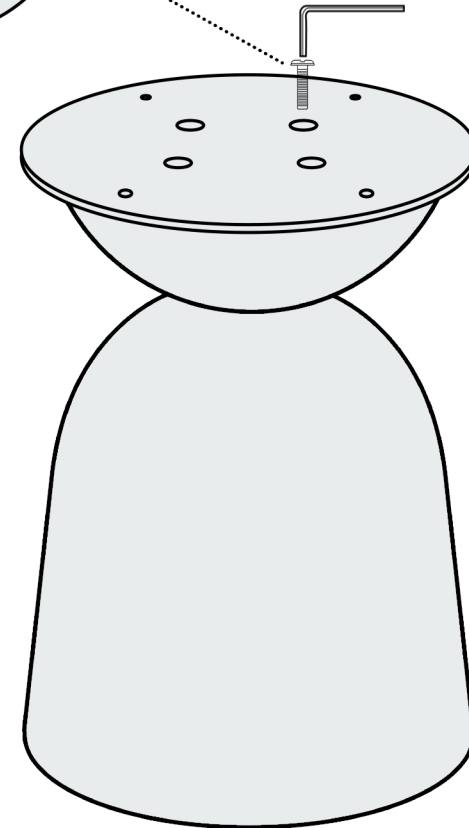
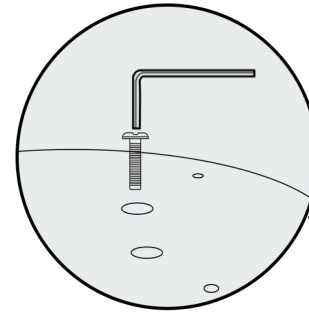


③ × 1

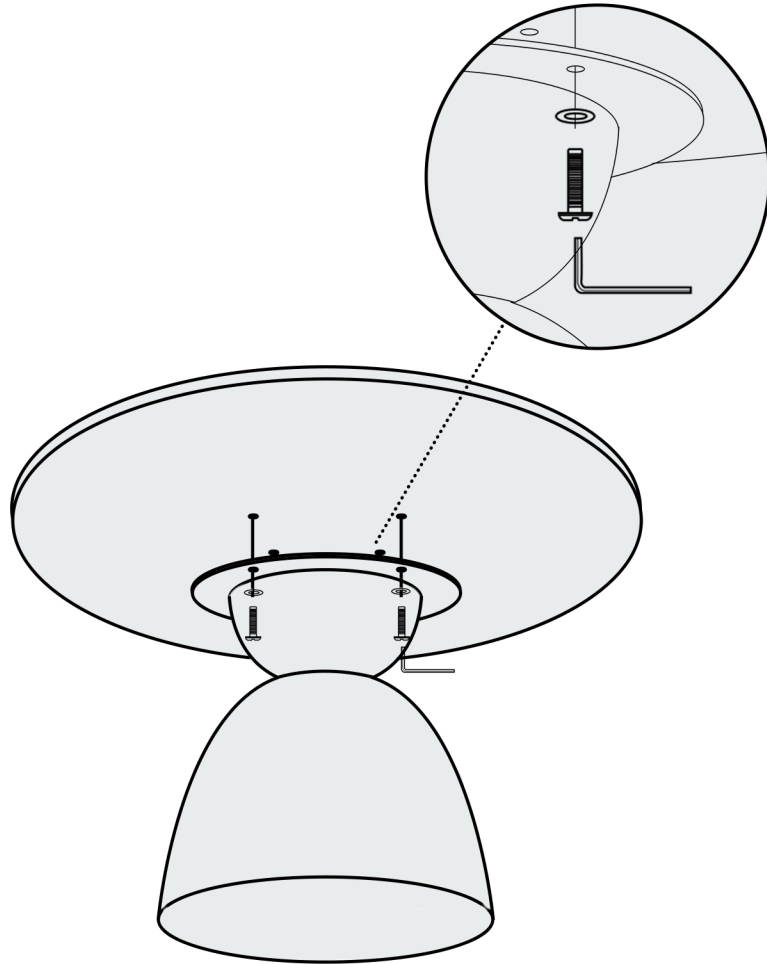


2. Installation sequence overview

2

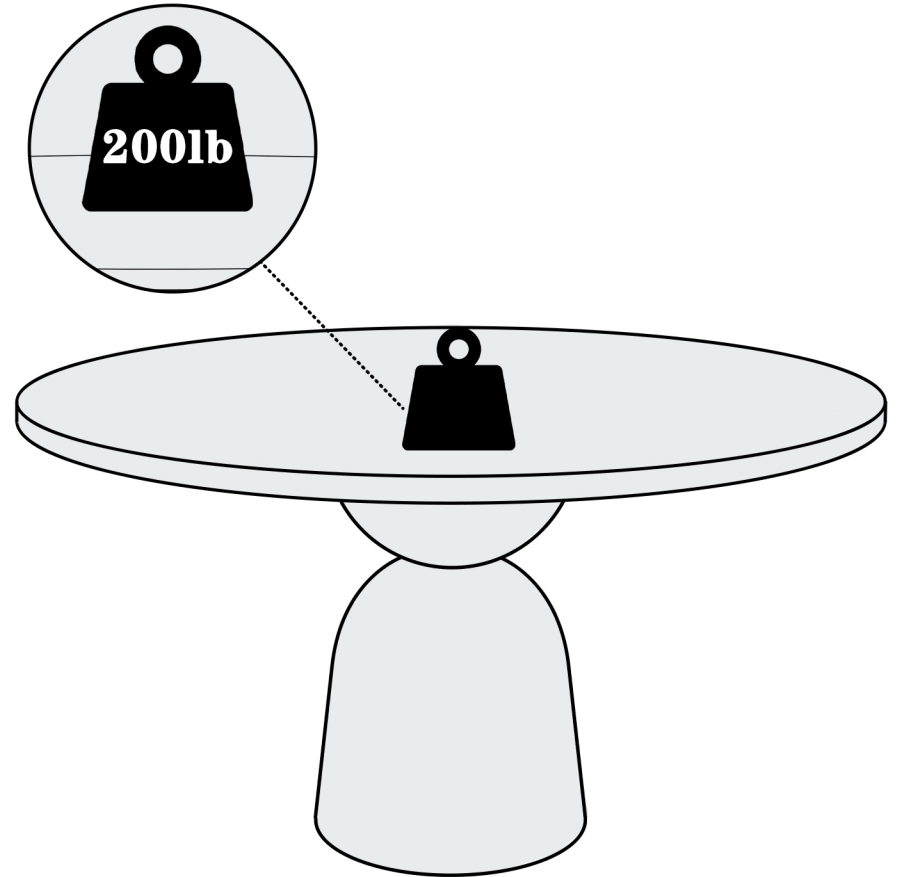


3. First, place the connecting plate on the base and secure the connecting plate and base with screws.

3

4. Turn over the coffee table, align the holes on the connecting plate with the holes on the back of the table, and install the screws with a screwdriver.

Tips: When installing by flipping, please handle with care. It is recommended to place it on a soft surface, such as a carpet, to better protect your coffee table from scratches. It is recommended not to tighten each screw too much at the beginning. When it comes to the last screw, tighten the screws that were not tightened before.

4

Product load capacity

5. Assembly completed.