

NOTICE

- * Please make sure that you have all parts indicated and they are in good condition before you begin assembly of this item. Refer to part list and hardware list below for guidance.
- * This item should be assembled on a soft surface to prevent scratching the finished goods during assembly.
- * This item may require periodic tightening.
- * If you are having difficulty, our friendly Customer Care team is always here to help.

PREPARATION

- * Before beginning assembly of product, make sure all parts are present. Compare parts with part contents list and hardware contents list.
- * If any part is missing or damaged, do not attempt to assemble the product.
- * Estimated Assembly Time: 40 minutes.
- * Tools Required for Assembly : Allen key (included) & Phillips head screwdriver (not included)

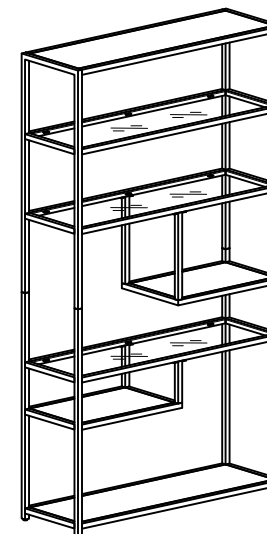
CARE AND MAINTENANCE

INDOOR METAL/ALUMINUM FURNITURE: Wipe spills immediately. Maintain with regular dusting and clean with mild soap and water, dry thoroughly and do not use a brass cleaner. Adhesive felt pads should always be used/applied in order to prevent damage to the furniture or surfaces on which the furniture is placed.

WOOD CARE: Adhesive felt pads should always be applied to areas of furniture which make direct contact with flooring, said application will prevent damage to the furniture and or surfaces on which the furniture lies. Objects placed on articles of furniture should rest on non abrasive material as to prevent damage to the wood finish. Wipe up spills immediately and avoid common hazards such as hot dishes, harsh solvents and abrasives. Cleaning should be done with a soft lint free cotton cloth dampened with water or furniture polish.

GLASS CARE: Dust with a soft, dry cloth. Do not use abrasive cleaner. To clean mirror, spray a small amount of glass cleaner onto a lint-free cloth and wipe mirror clean.

Product Dimensions: 40"W*13"D*72"H



Weight Capacity : 30 lbs of each shelf
Warning : Do not stand on the product
Warning : Do not over torque bolts

Part List and Hardware List

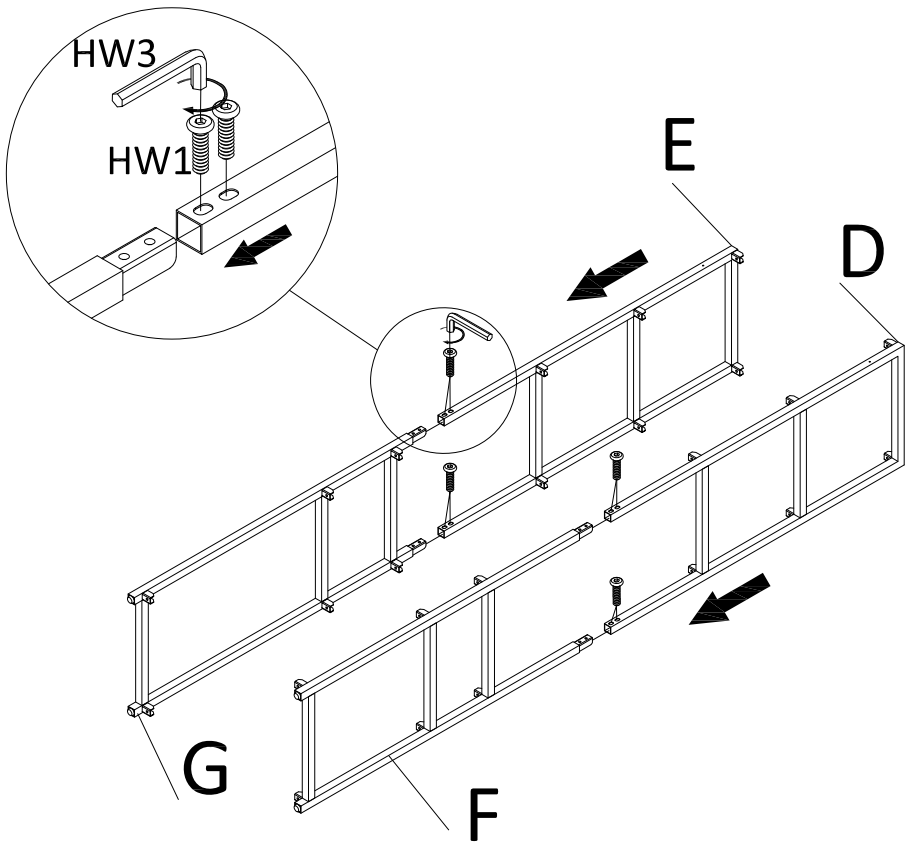
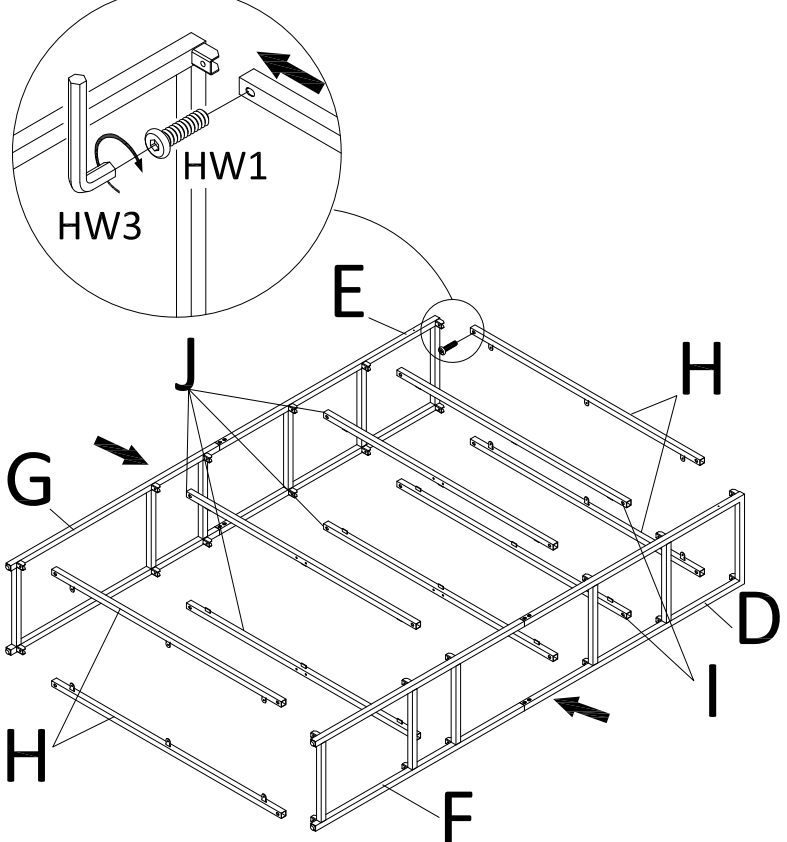
PIECE	DESCRIPTION	PICTURE	QUANTITY
A	Wood shelf (Larger)		2x
B	Wood shelf (Small)		2x
C	Glass shelf		3x
D	Left Side Frame (Upper)		1x
E	Right Side Frame (Upper)		1x
F	Left Side Frame (Lower)		1x
G	Right Side Frame (Lower)		1x

PIECE	DESCRIPTION	PICTURE	QUANTITY
H	Connecting bar-1		4x
I	Connecting bar-2		2x
J	Connecting bar-3		4x
K	Connecting bar-4		2x
L	Connecting bar-5		2x
M	U type side frame-1		1x
N	U type side frame-2		1x

PIECE	DESCRIPTION	PICTURE	QUANTITY
HW1	Hex Socket Bolt	1/4"-20*0.5"	44x
HW2	Wood Screw	ø8*12mm	20x
HW3	Allen Key		M4 1x
HW4	Transparent silicone pad	ø8	18x
HW5	Anti-Tip Hardware		2x

PREPARATION

- * Before beginning assembly of product, make sure all parts are present. Compare parts with part contents list and hardware contents list.
- * If any part is missing or damaged, do not attempt to assemble the product.
- * Estimated Assembly Time: 40 minutes.
- * Tools Required for Assembly : Allen key (included) & Phillips head screwdriver (not included)
- * If you are having difficulty, our friendly Customer Care team is always here to help. Please email customersupport@safavieh.com

<p>1</p> 	<p>2</p> 
<p>Step 1 Insert the Left side frame (lower) (#F) into the Left side frame (upper) (#D), then insert the Right side frame (lower) (#G) into the Right side frame (upper) (#E), and alignment holes, Using Allen key (HW3) to lock by 8*Hex Socket Bolt (HW1).</p>	<p>Step 2 Place the 10*connecting bars(4*H, 2*I & 4*J) in the corresponding position according to the indicated in the diagram, and alignment holes, Using Allen key (HW3) to lock by 20*Hex Socket Bolt (HW1).</p>

PREPARATION

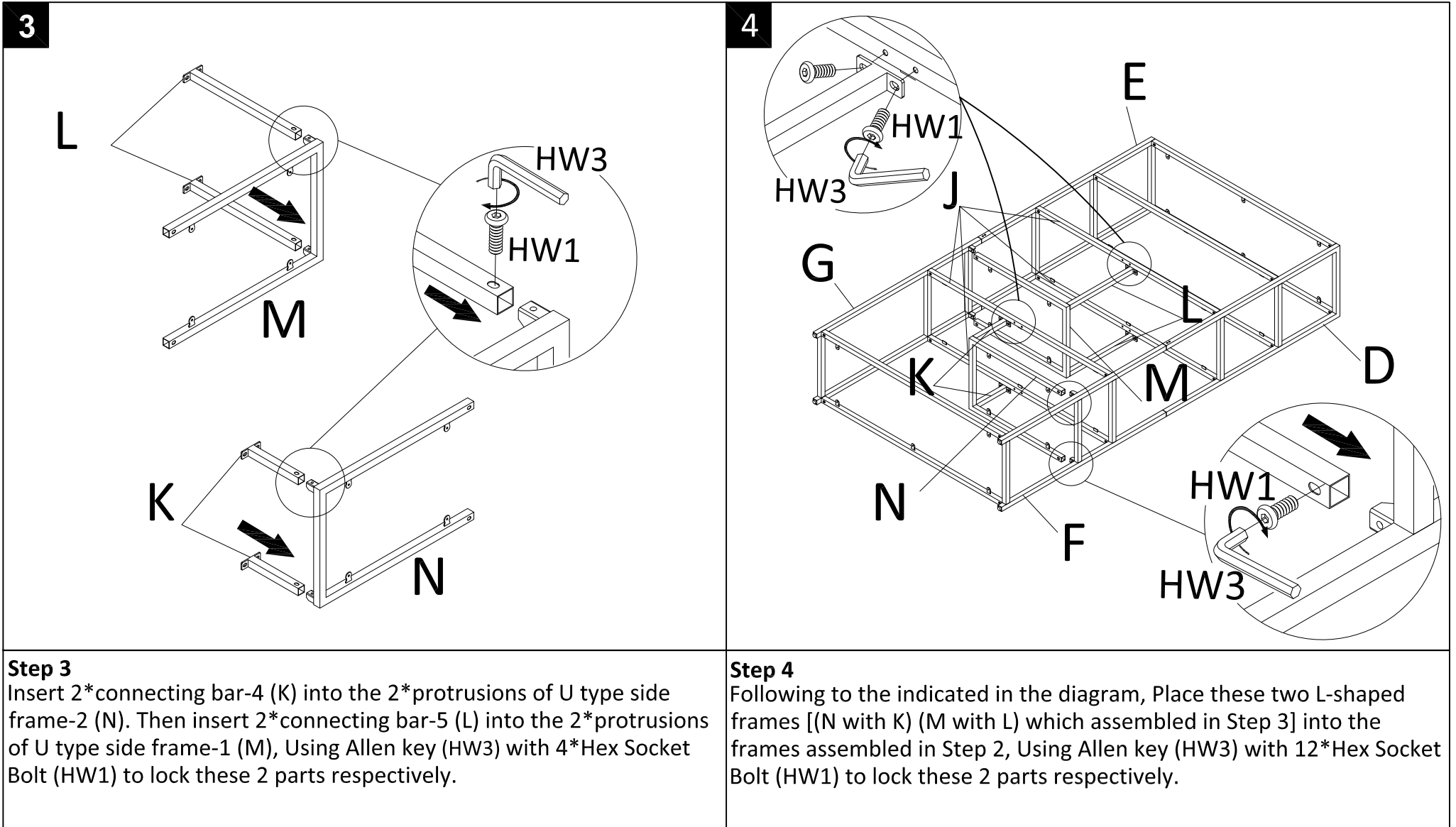
* Before beginning assembly of product, make sure all parts are present. Compare parts with part contents list and hardware contents list.

* If any part is missing or damaged, do not attempt to assemble the product.

* Estimated Assembly Time: 40 minutes.

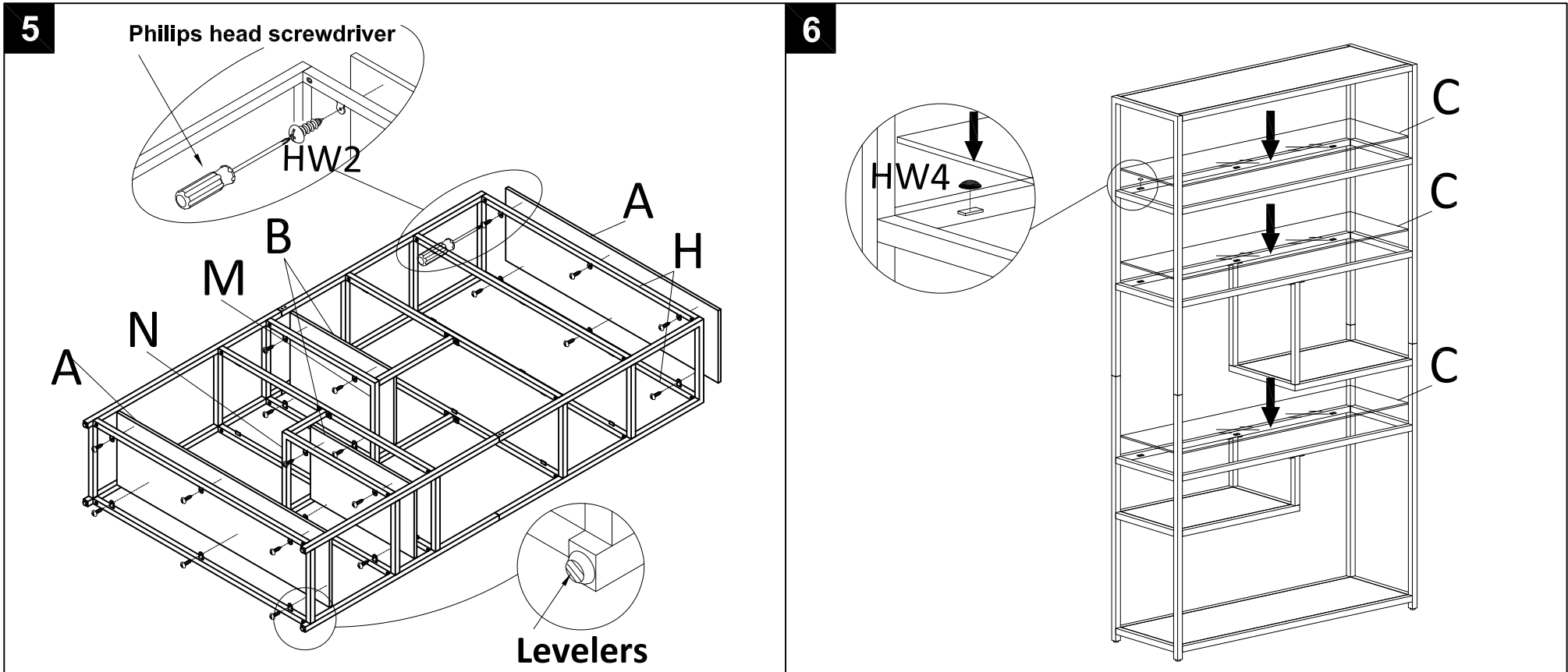
* Tools Required for Assembly : Allen key (included) & Phillips head screwdriver (not included)

* If you are having difficulty, our friendly Customer Care team is always here to help. Please email customersupport@safavieh.com



PREPARATION

- * Before beginning assembly of product, make sure all parts are present. Compare parts with part contents list and hardware contents list.
- * If any part is missing or damaged, do not attempt to assemble the product.
- * Estimated Assembly Time: 40 minutes.
- * Tools Required for Assembly : Allen key (included) & Phillips head screwdriver (not included)
- * If you are having difficulty, our friendly Customer Care team is always here to help. Please email customersupport@safavieh.com



Step 5

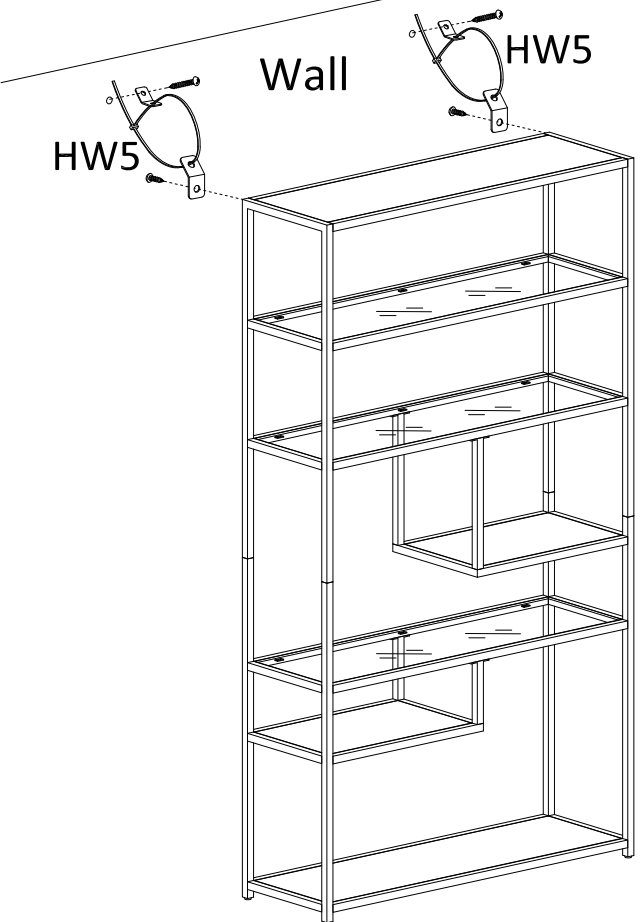
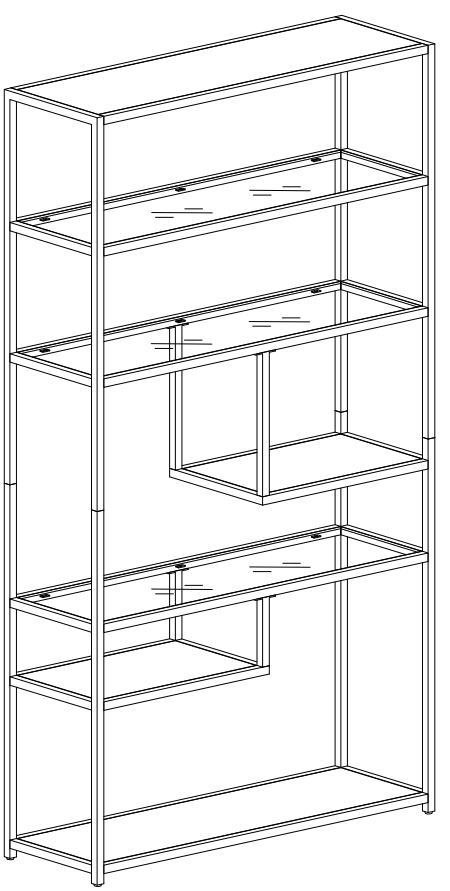
Assemble 4*Wood shelves :Place the 2*Wood Shelves (larger) (A) on top & bottom of frame separately, And place 2*Wood Shelves (Small) (B) into small frame (N & M) separately, Use Philips head screwdriver (tool is not included) to lock 20*Wood screws (HW2) to pass through the iron tubes to lock on 4*shelves, As indicated in the diagram.

Step 6

Assemble 3*Glass shelves : Straighten up the assembled iron frame. Place 18*Transparent Silicone Pads (HW4) on 3 iron frame respectively before having 3*Glass shelves(C) placed.

PREPARATION

- * Before beginning assembly of product, make sure all parts are present. Compare parts with part contents list and hardware contents list.
- * If any part is missing or damaged, do not attempt to assemble the product.
- * Estimated Assembly Time: 40 minutes.
- * Tools Required for Assembly : Allen key (included) & Phillips head screwdriver (not included)
- * If you are having difficulty, our friendly Customer Care team is always here to help. Please email customersupport@safavieh.com

<p>7</p>  <p>Wall HW5 HW5</p>	<p>8</p> 
<p>Step 7 Following the Installation Instructions of anti-tip hardware (HW5) to fix the product with wall by 2 straps</p>	<p>Step 8 Assembly is completed.</p>