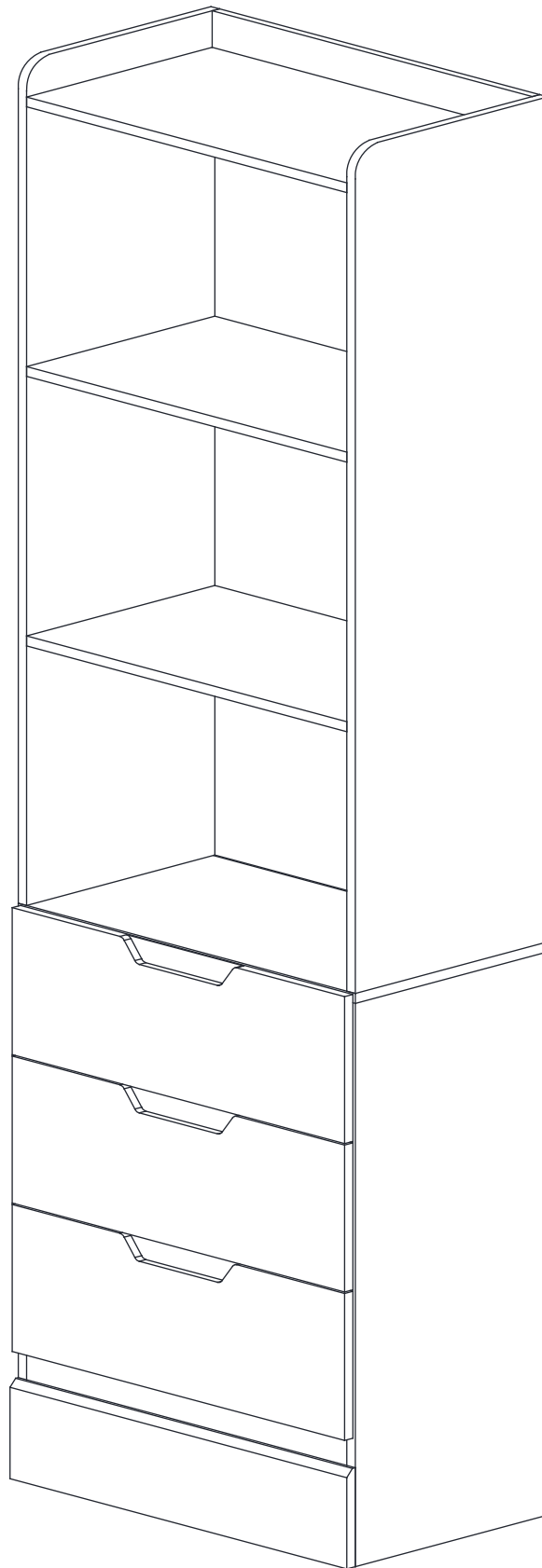
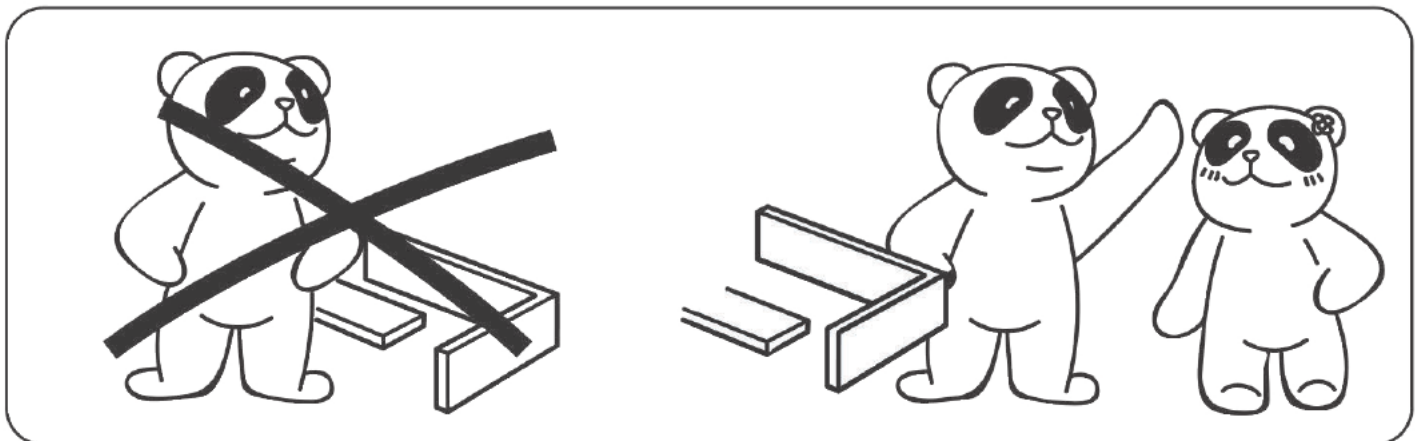
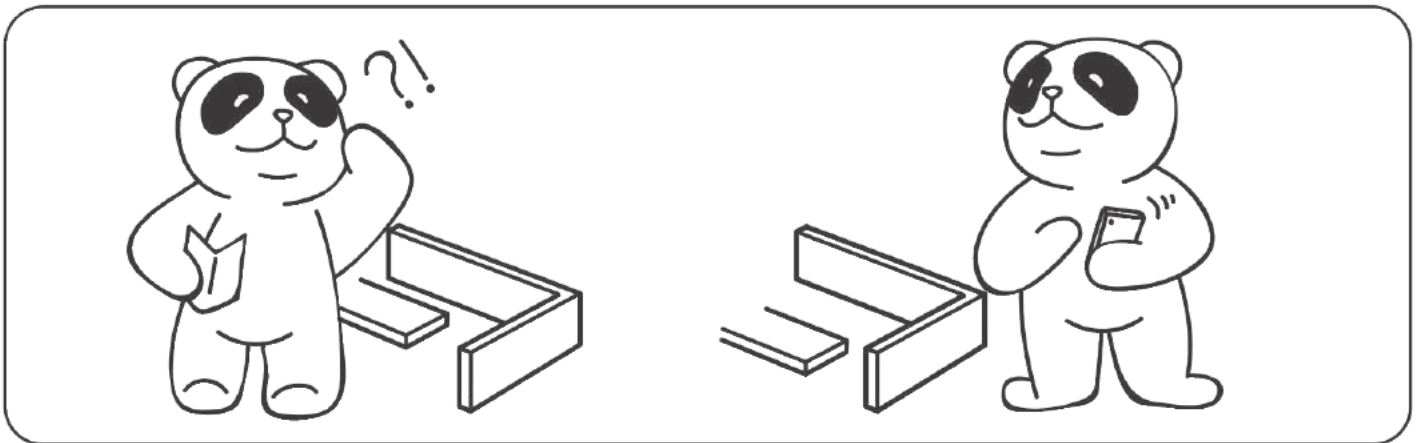
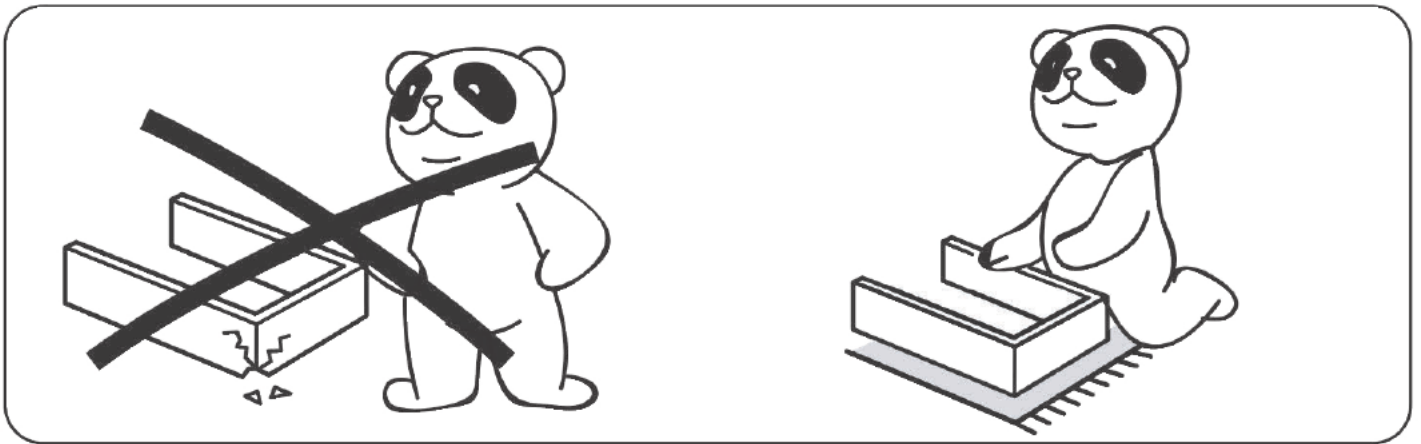
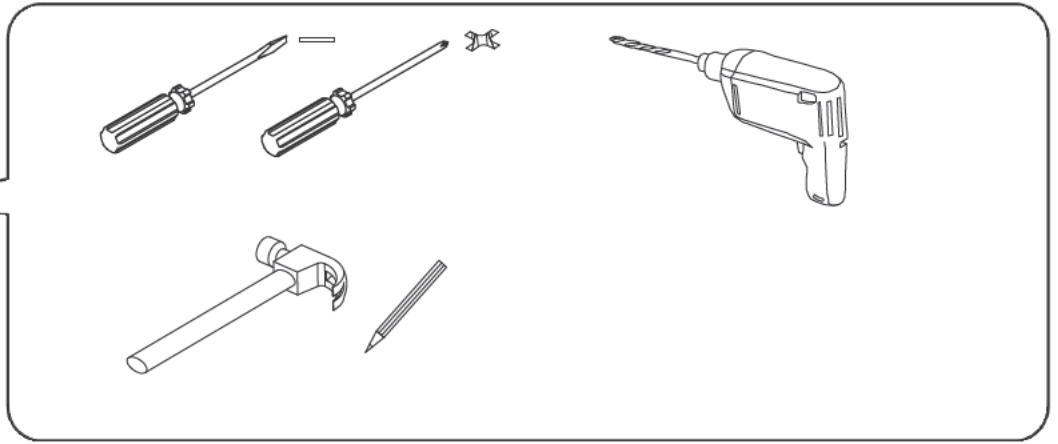


# Assembly instructions

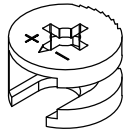






Ø6x28mm

A x 56



Ø15x9 mm

B x 56



Ø6x30mm

C x 16



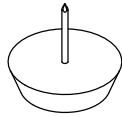
Ø3.5x12mm

D x 30



Ø5x40mm

E x 18

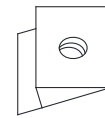


F x 8



Ø3.5x14mm

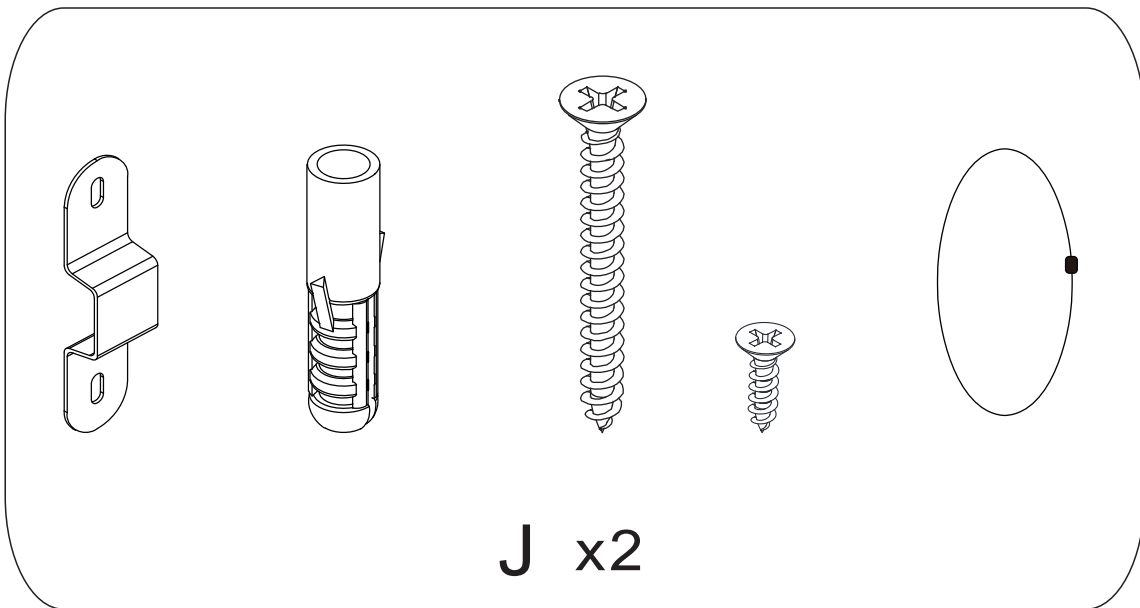
G x 20



H x 20



K x 12



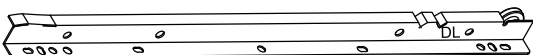
**CL**

x 3



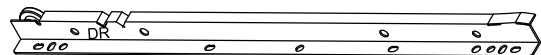
**CR**

x 3



**DL**

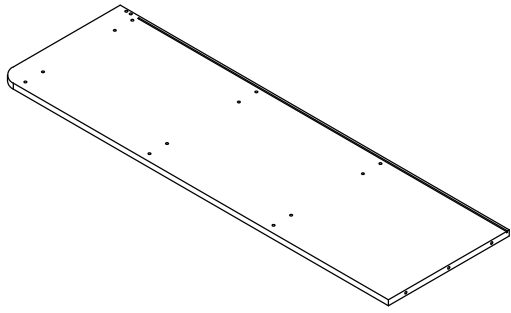
x 3



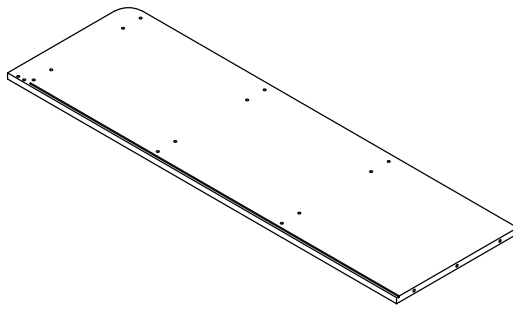
**DR**

x 3

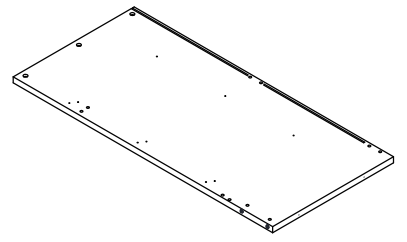
# Mounting frame



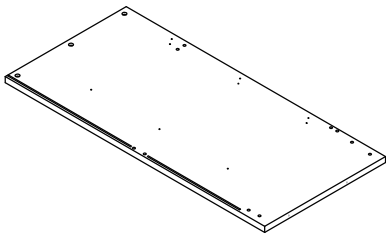
1 x 1



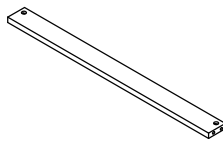
2 x 1



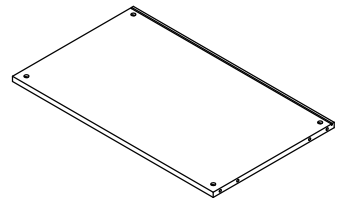
3 x 1



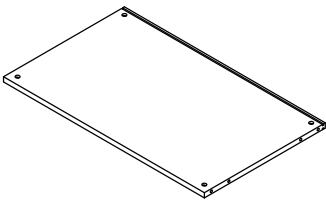
4 x 1



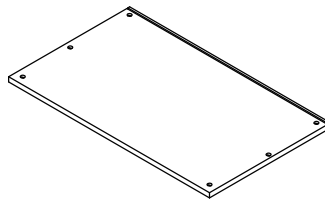
5 x 1



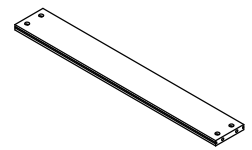
6 x 1



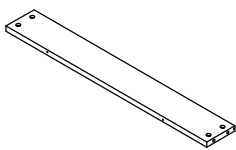
7 x 2



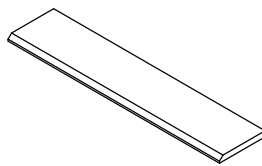
8 x 1



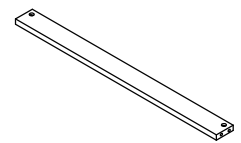
9 x 1



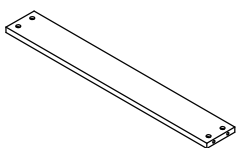
10 x 1



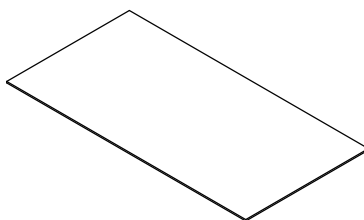
11 x 1



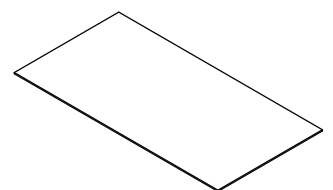
12 x 1



13 x 1

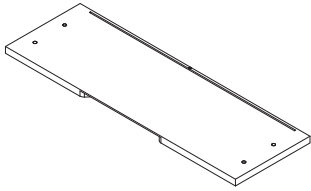


14 x 3

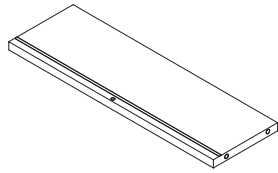


15 x 2

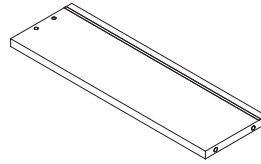
# Drawer installation



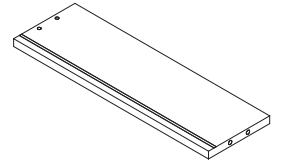
**16** x 3



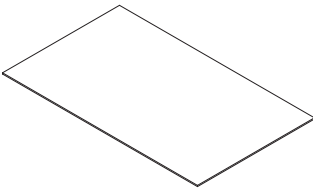
**17** x 3



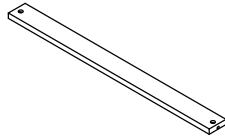
**18** x 3



**19** x 3

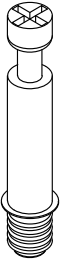


**20** x 3

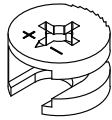


**21** x 3

# Mounting frame



Ø6x28mm  
**A** x 38



Ø15x9 mm  
**B** x 38



Ø6x30mm  
**C** x 16



Ø3.5x12mm  
**D** x 18



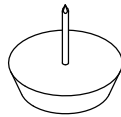
Ø5x40mm  
**E** x 6



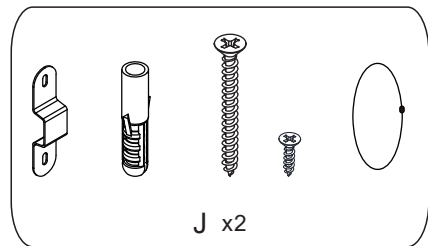
**H** x 20



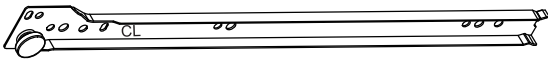
Ø3.5x14mm  
**G**x20



**F** x 8

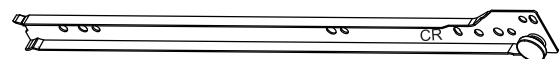


**J** x 2



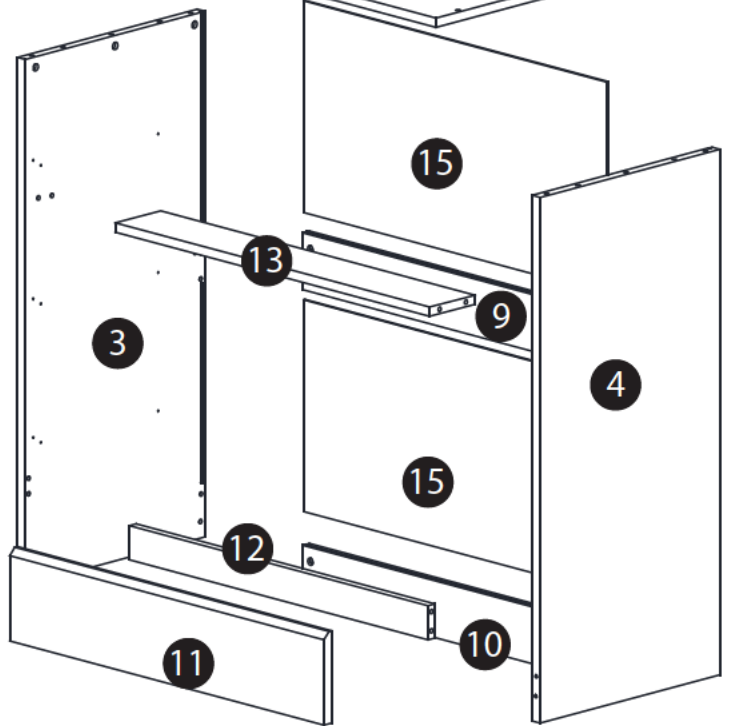
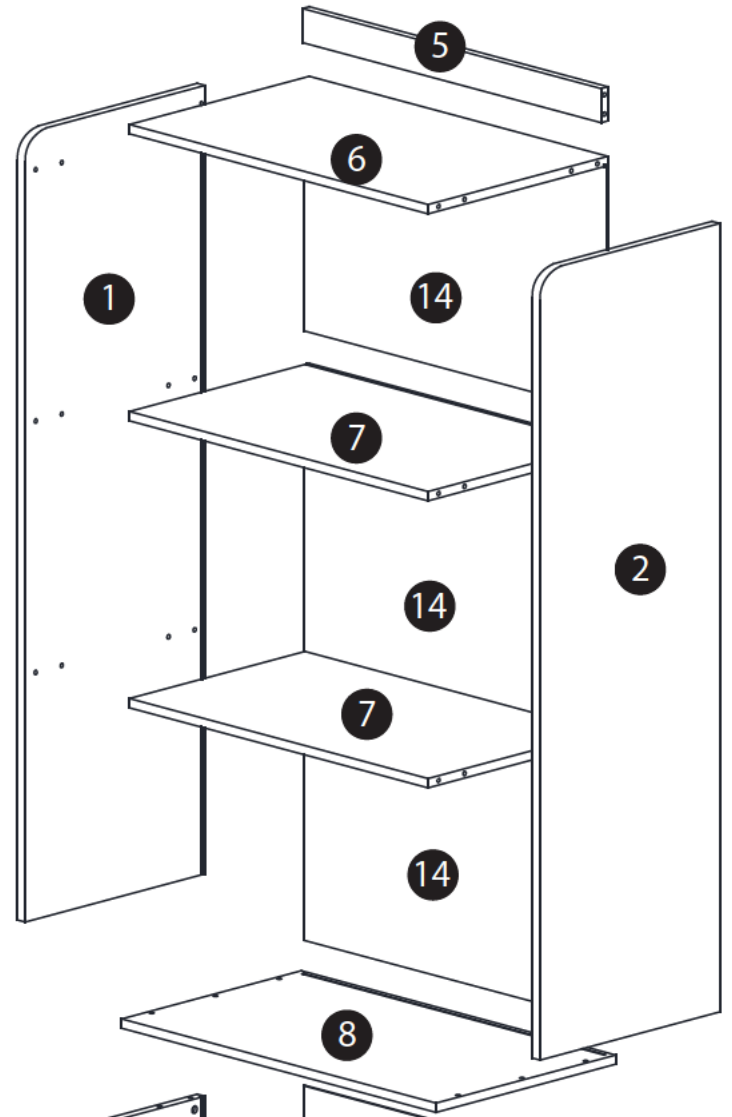
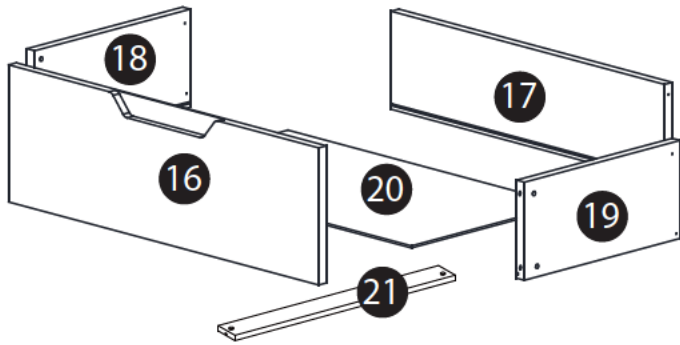
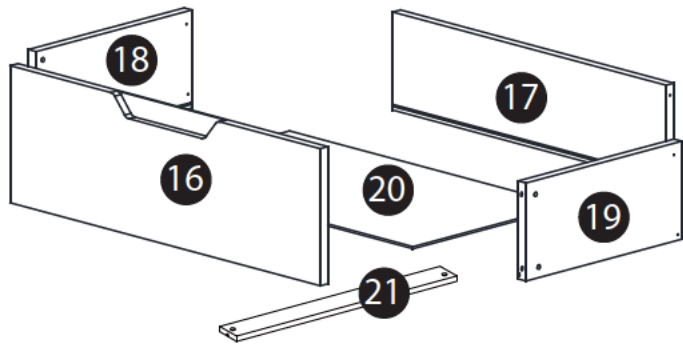
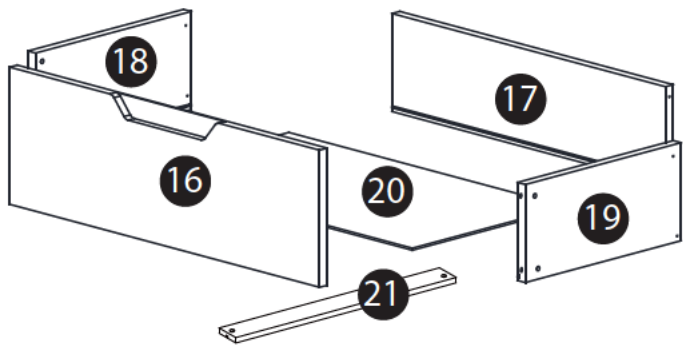
**CL**

x 3

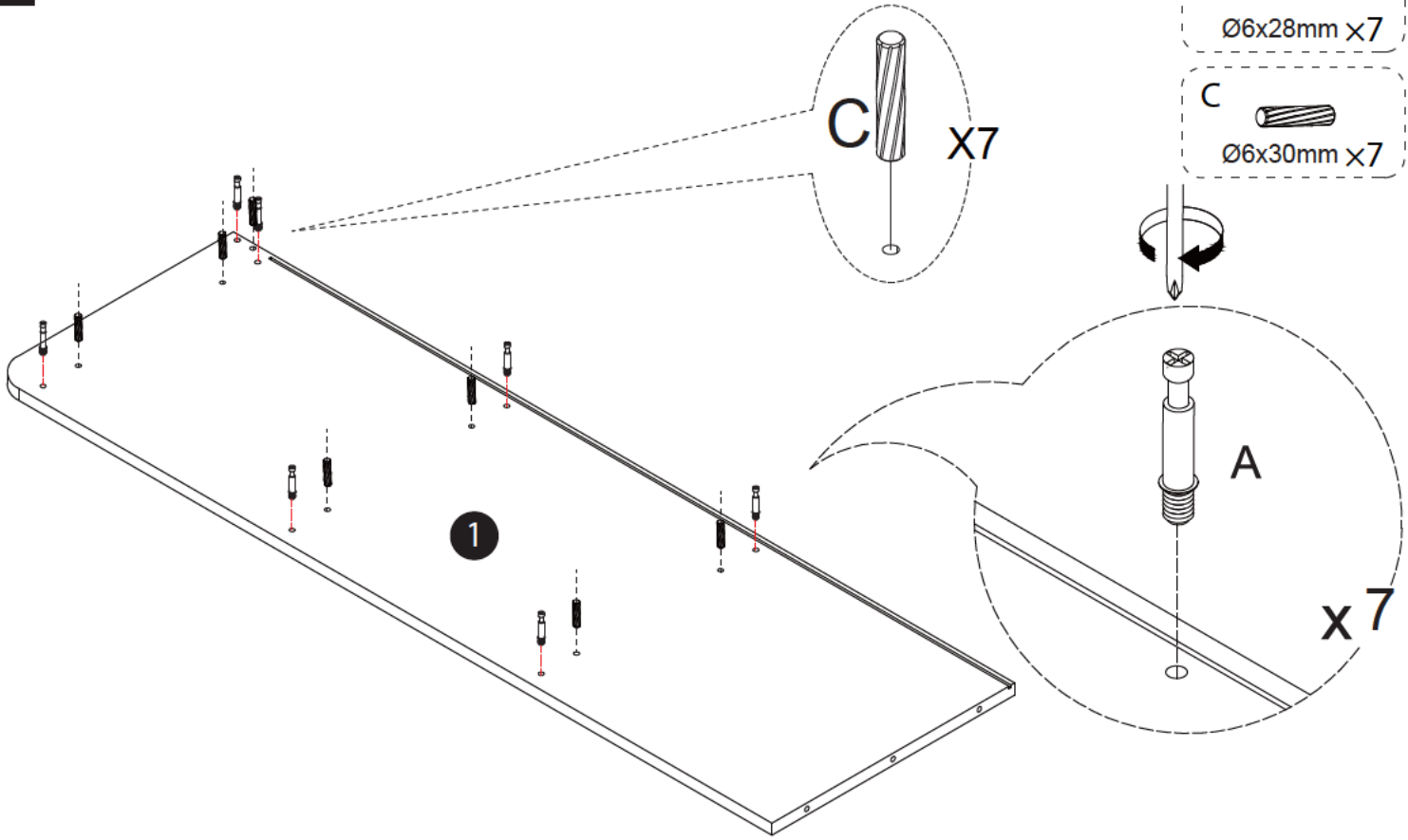


**CR**

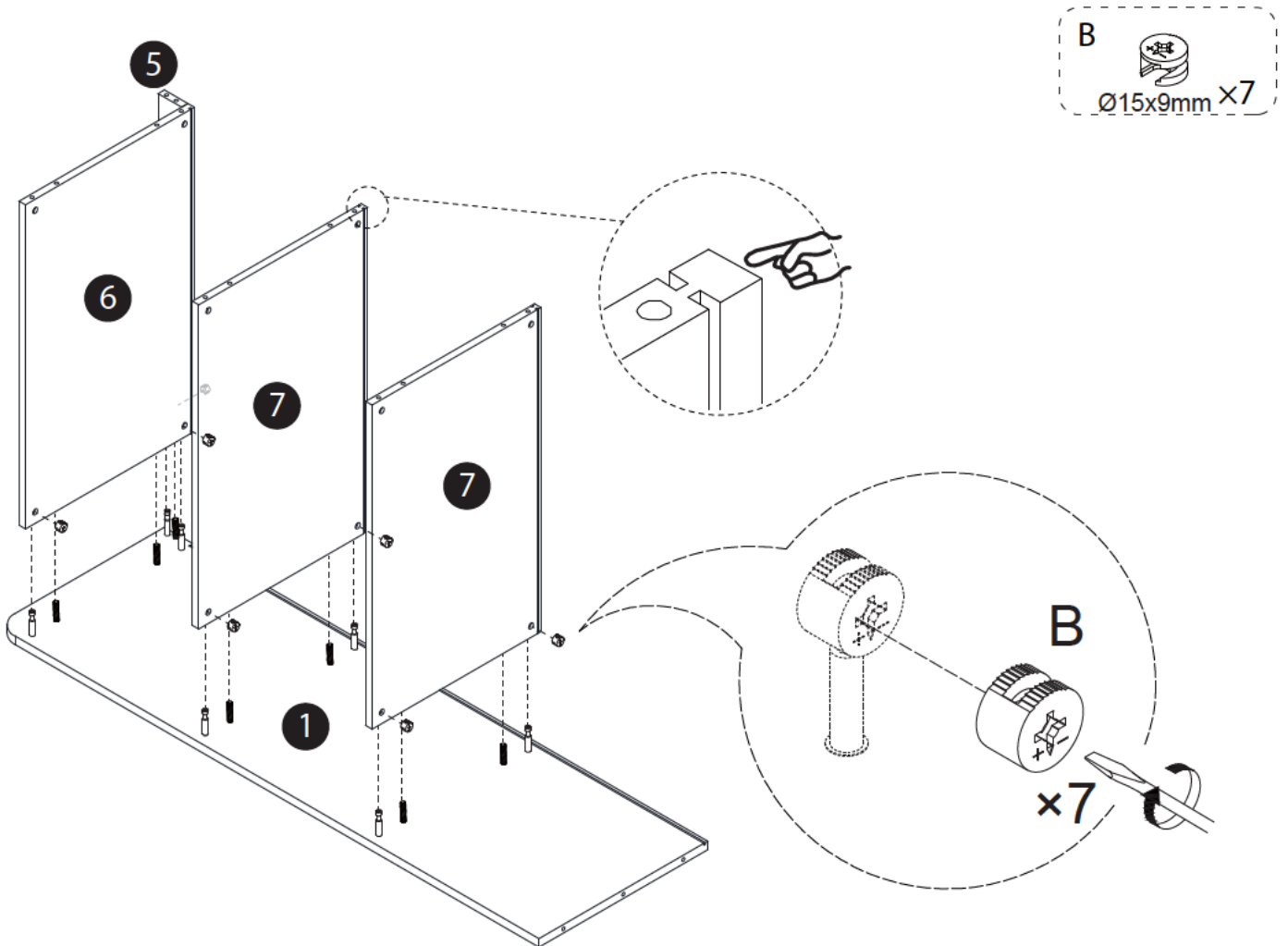
x 3



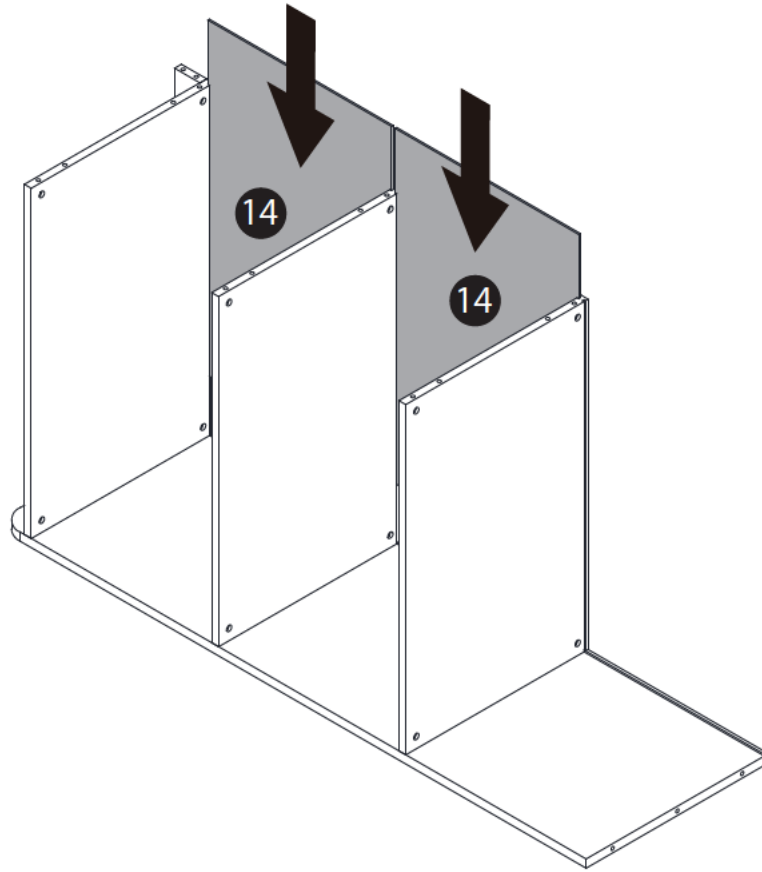
1



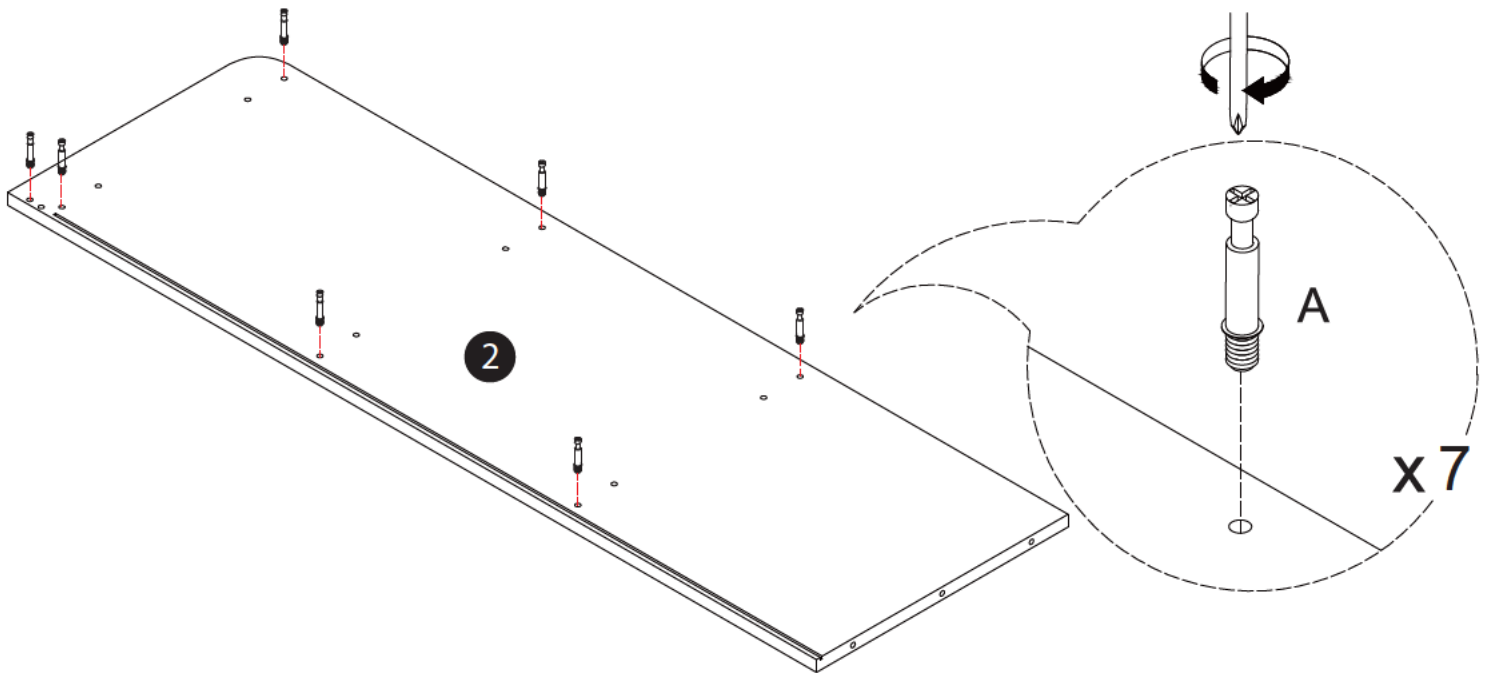
2



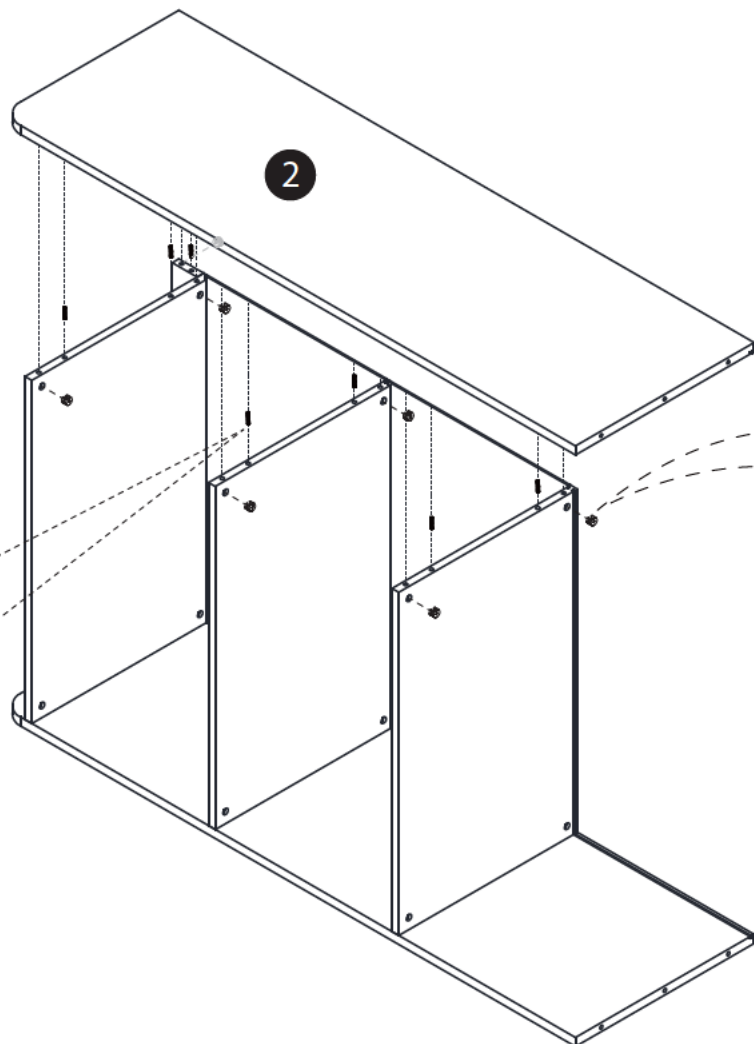
3



4



5



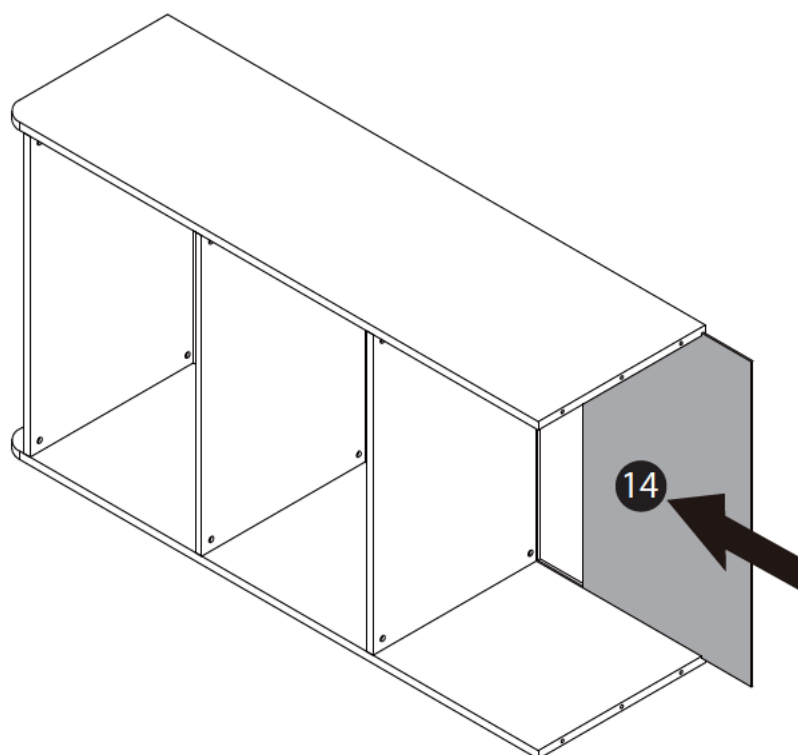
**B**  
Ø15x9mm x7

**C**  
Ø6x30mm x7

**x7** **C**

**x7** **B**

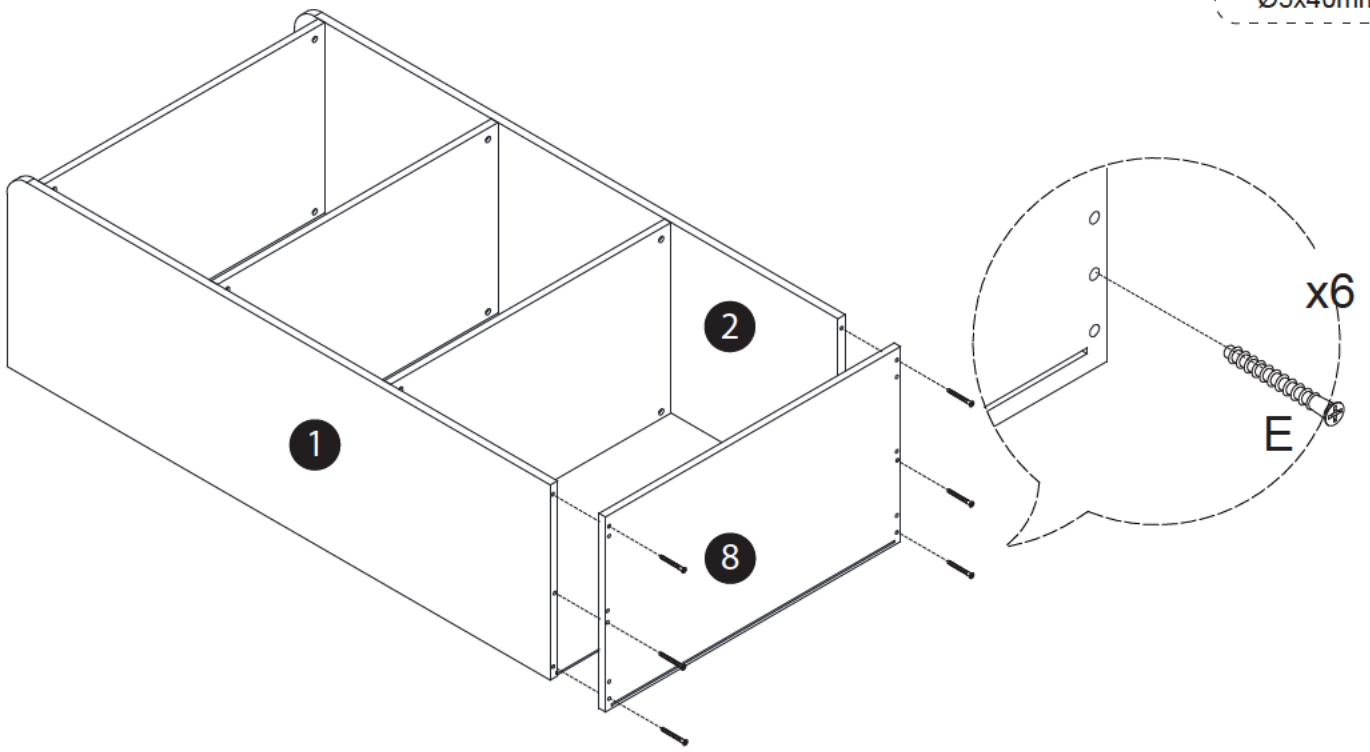
6



**14**

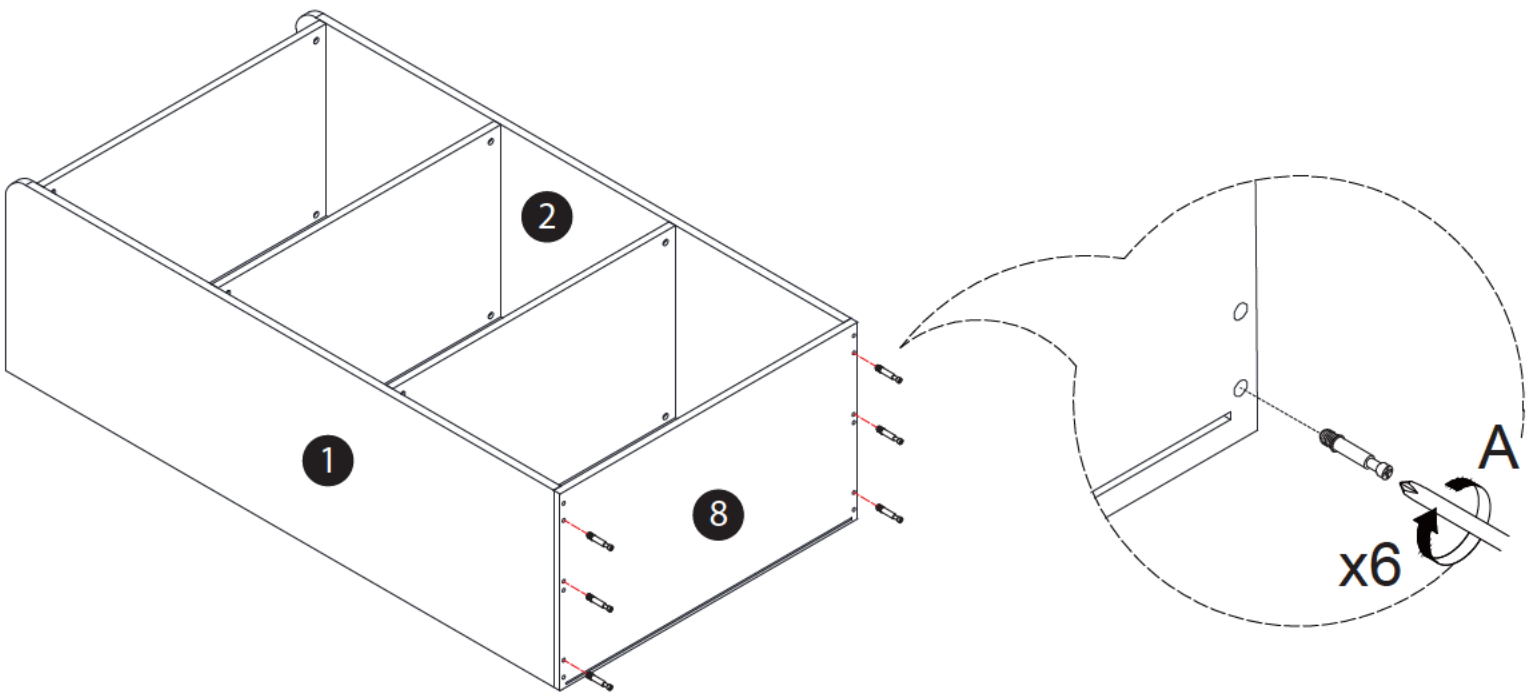
7

E  
Ø5x40mm x6

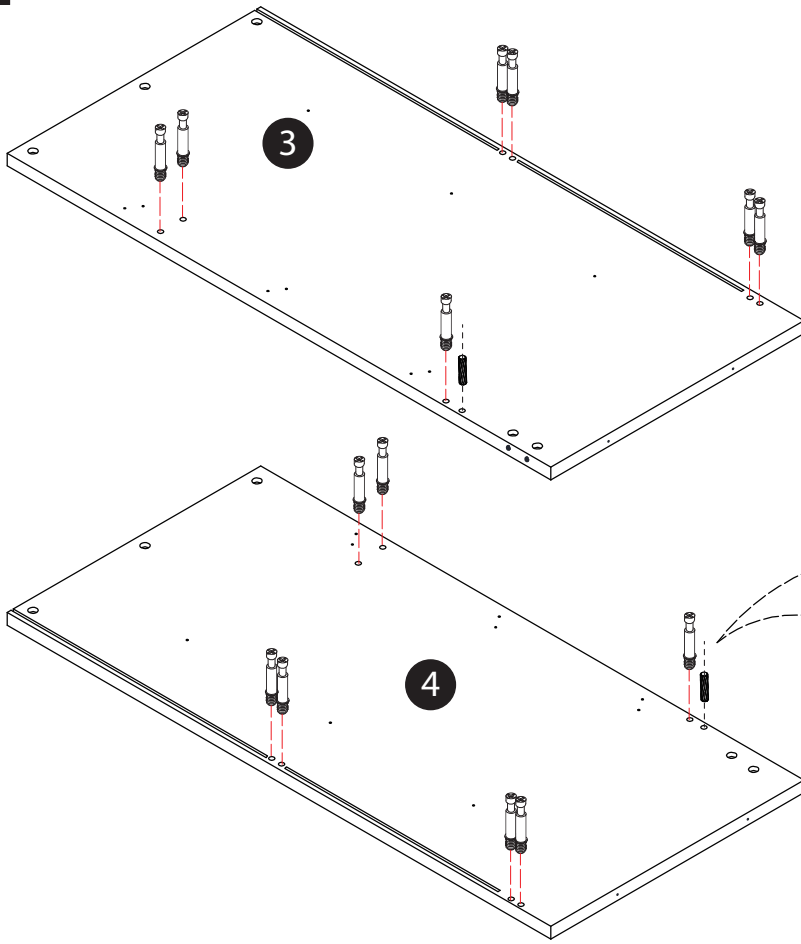


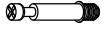
8


A  
Ø6x28mm x6

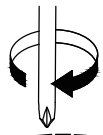


9



A   
 Ø6x28mm x14

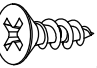
C   
 Ø6x30mm x2




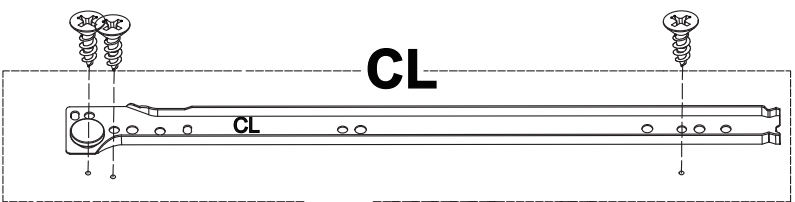
Ax14

Cx2

10

D   
 Ø3.5x12mm x9

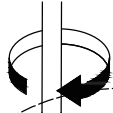
CL   
 x3



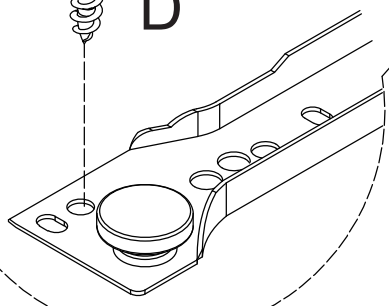
CL

3

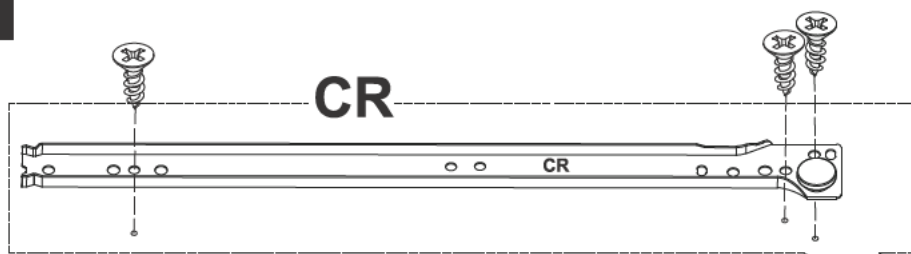
x9





D

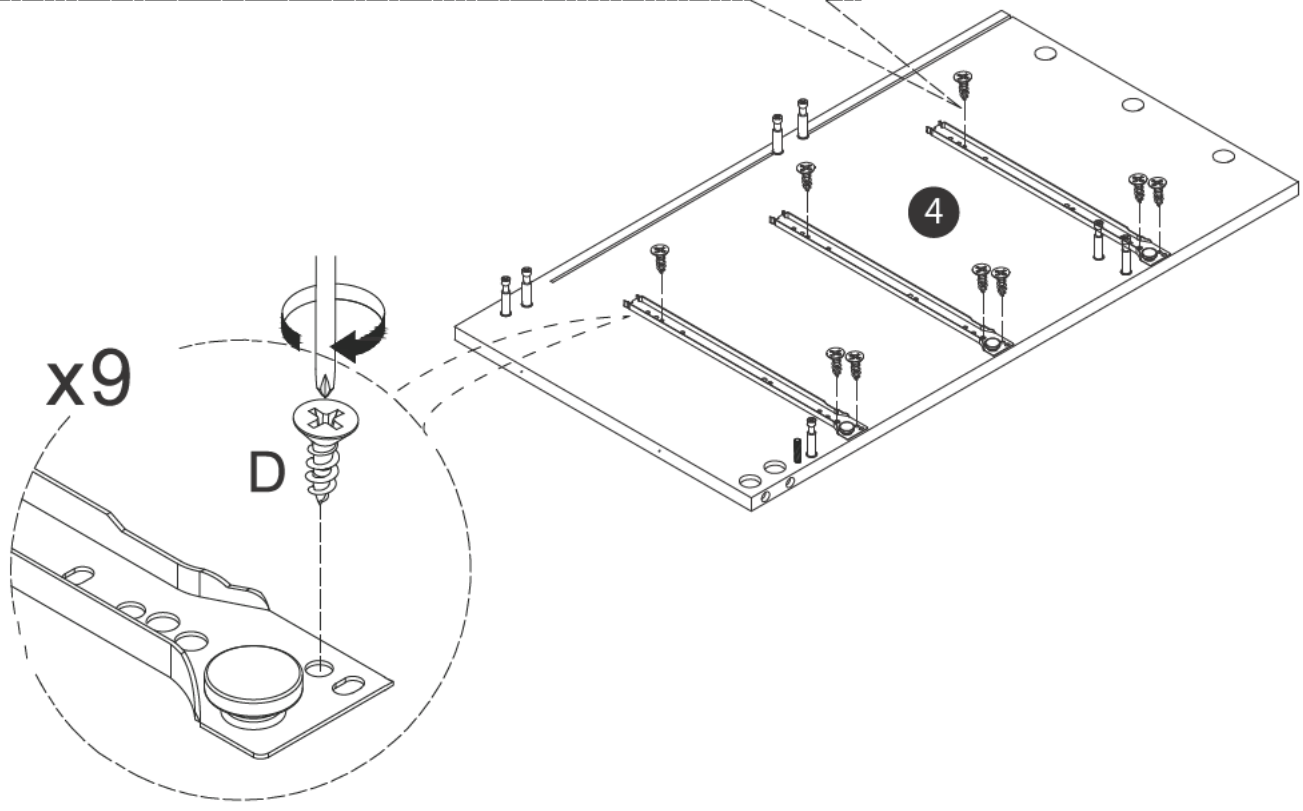


11



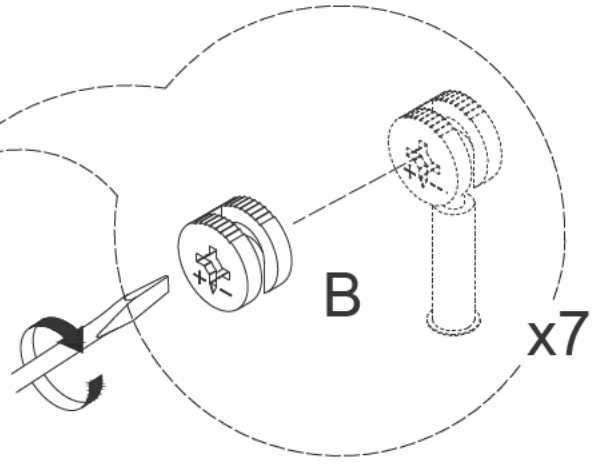
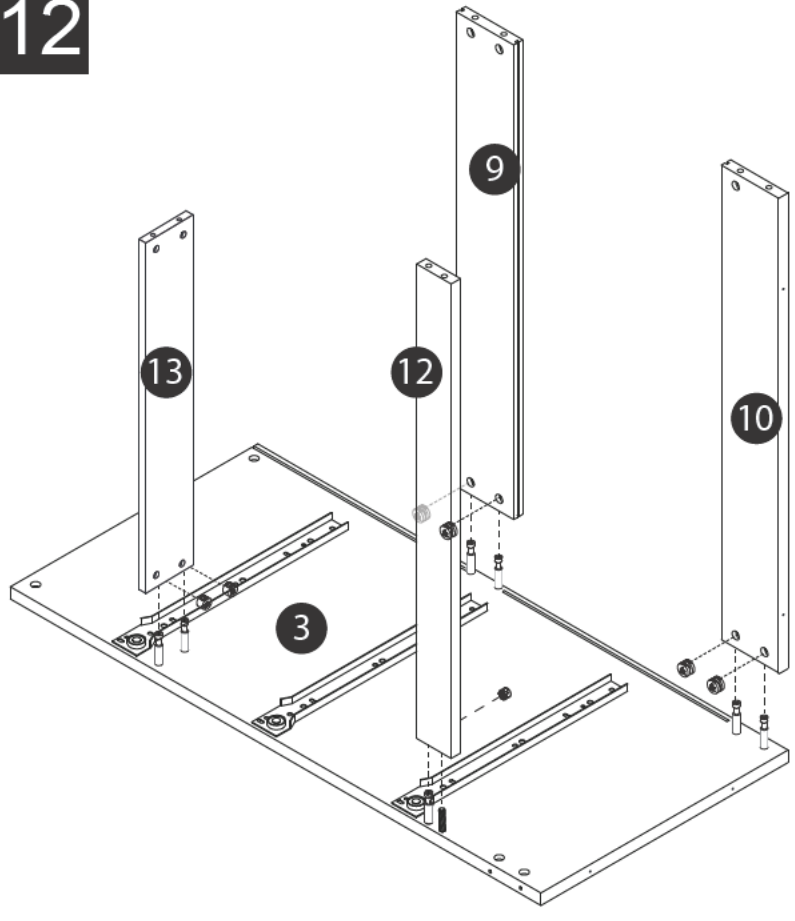
D   
 Ø3.5x12mm x9

CR   
 x3

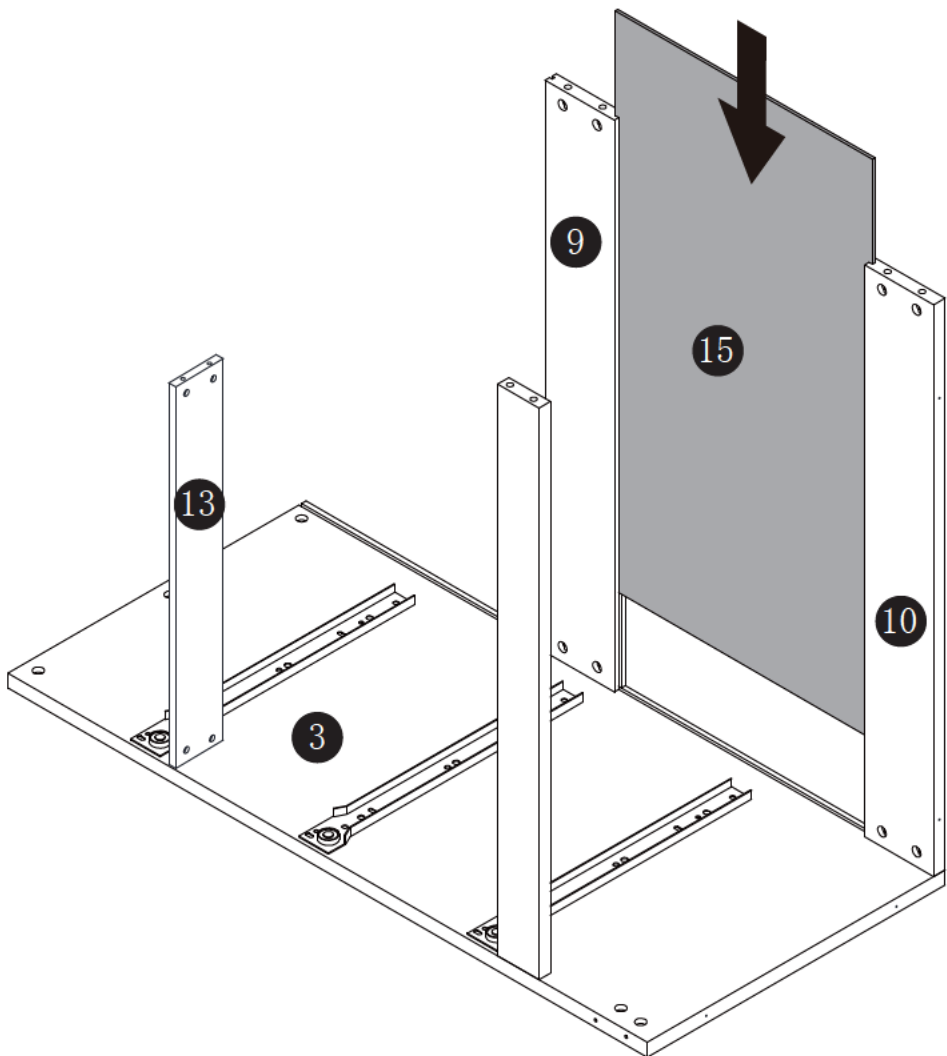


12

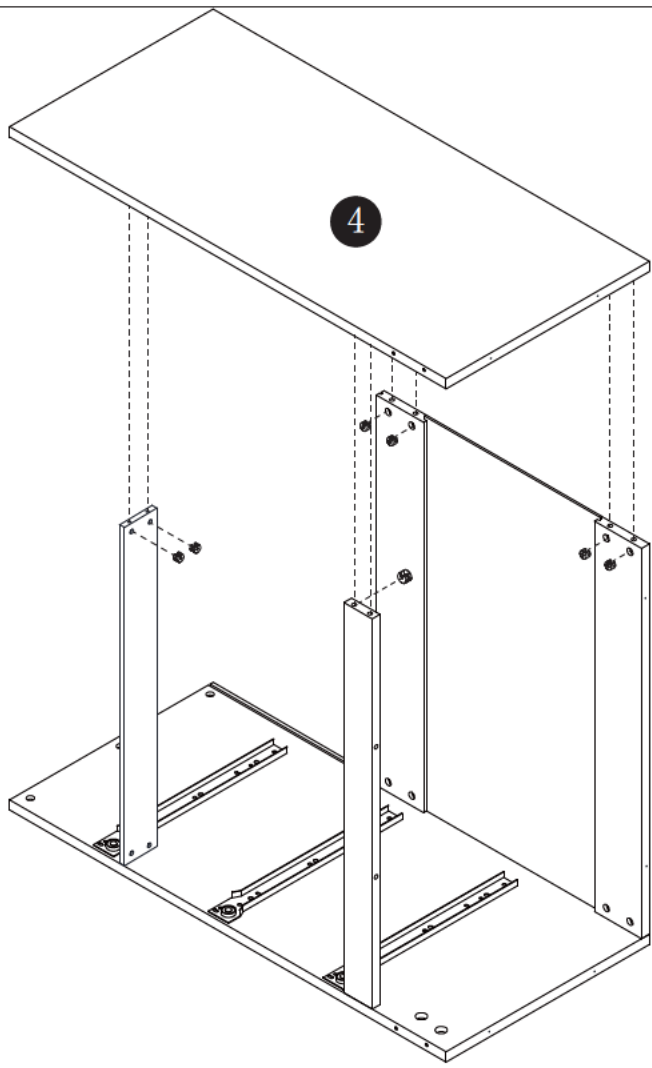
B   
 Ø15x9mm x7



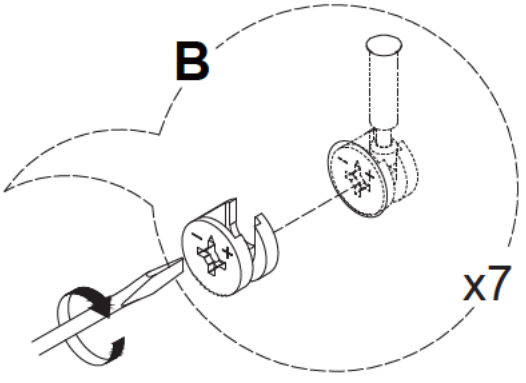
13



14

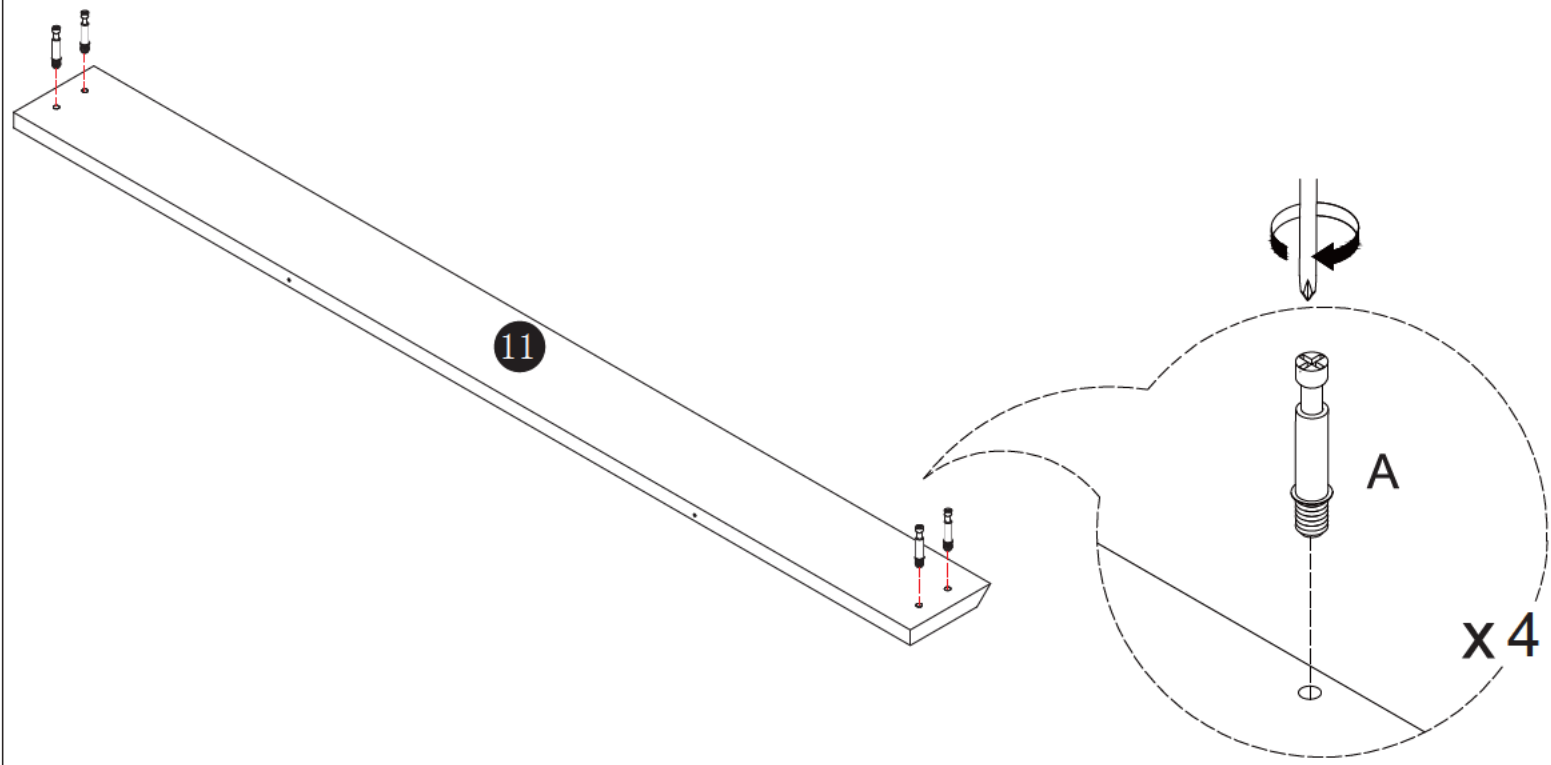


B  
Ø15x9mm × 7




15

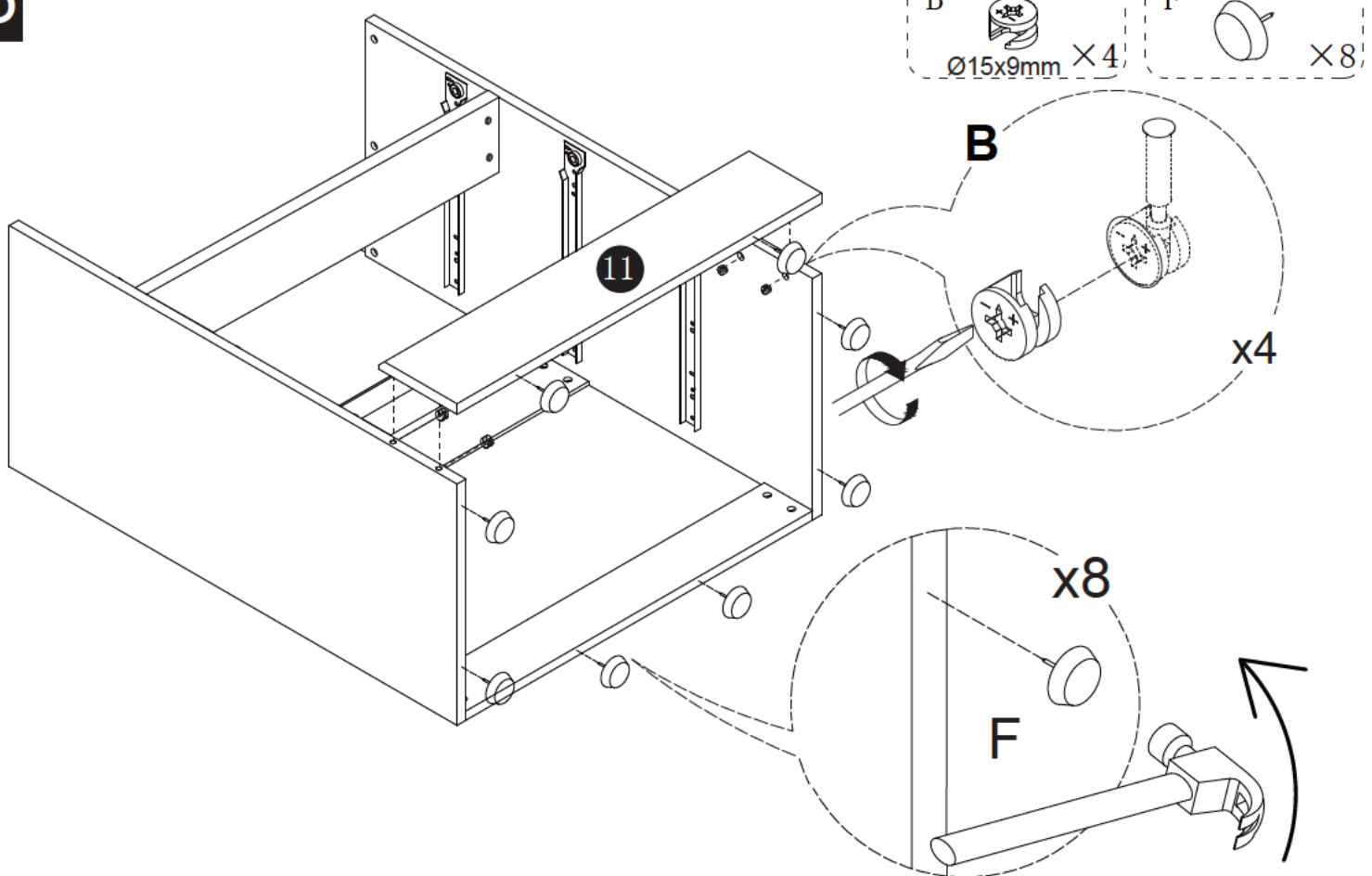
A   
Ø6x28mm × 4



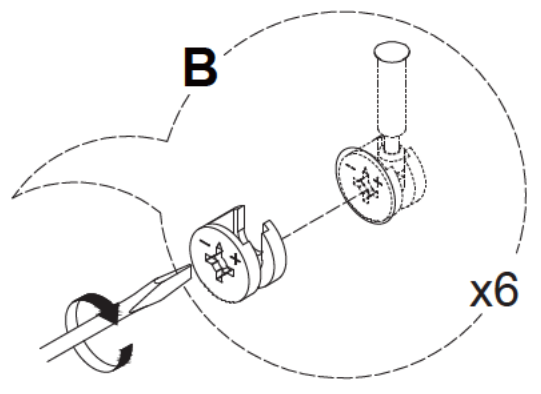
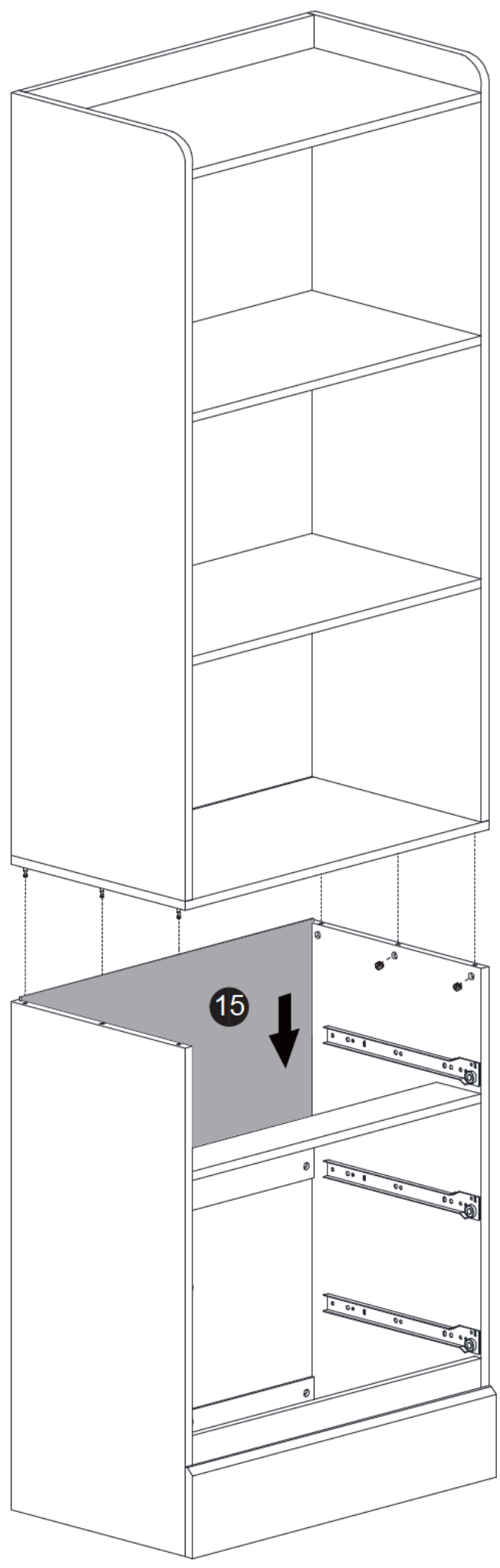
16

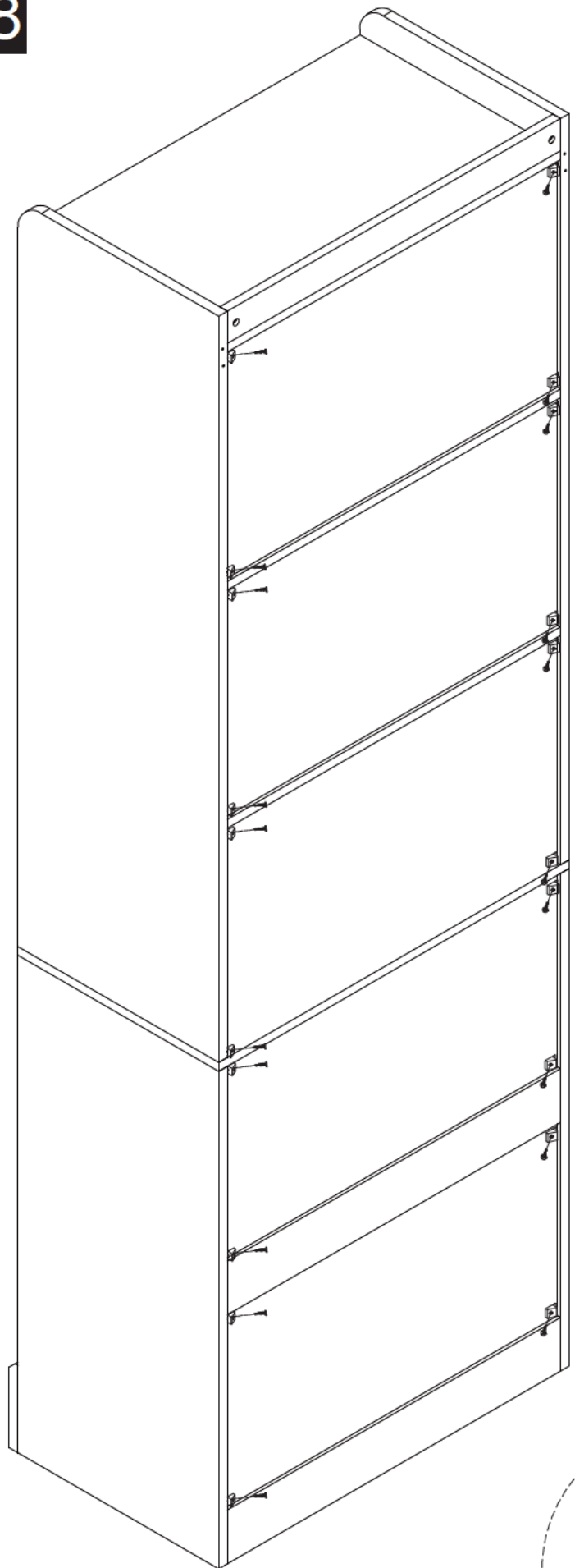
B   
Ø15x9mm × 4

F   
× 8



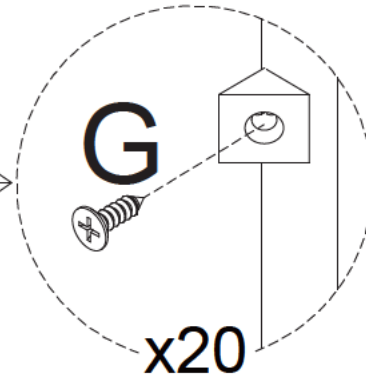
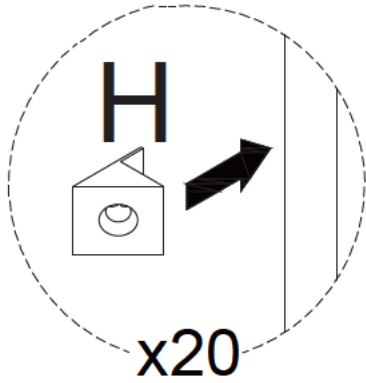
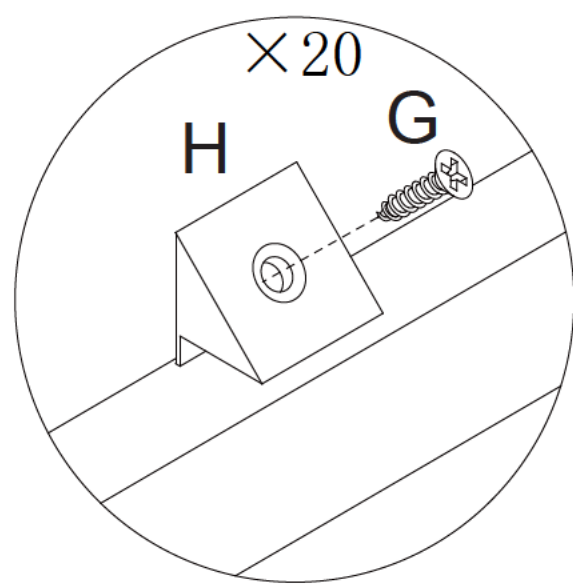
B  
Ø15x9mm × 6

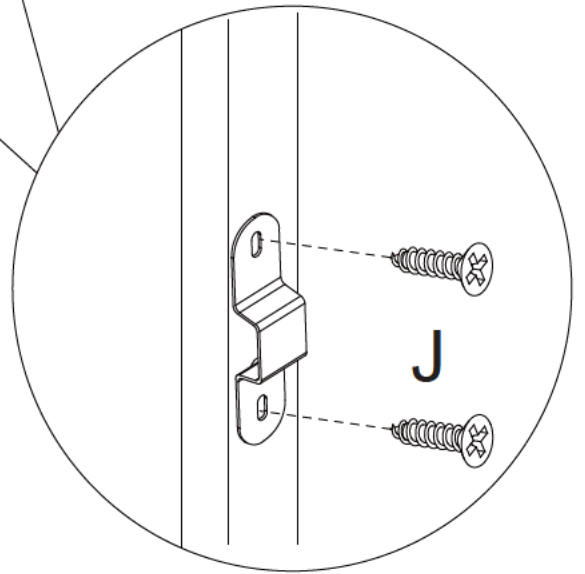
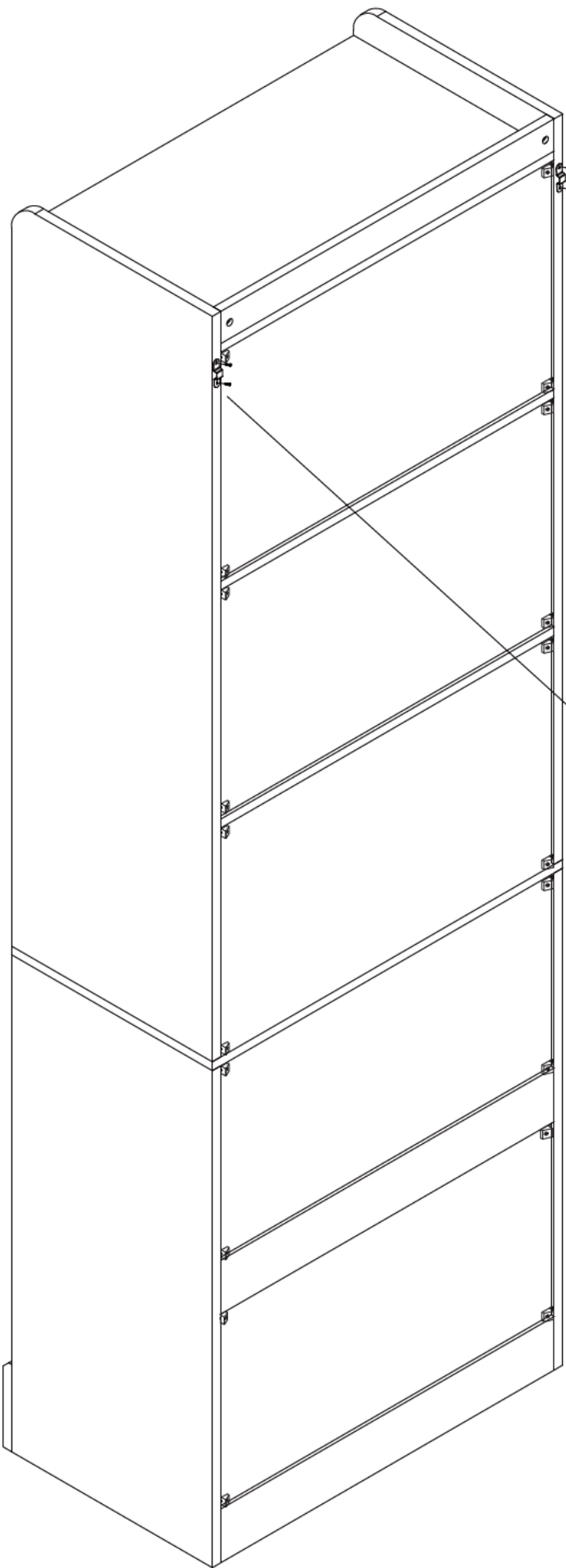
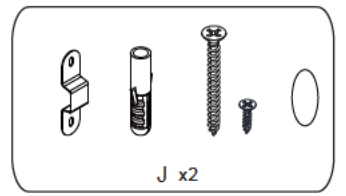




H  × 20

G   
Ø3.5x14mm × 20



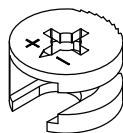


# Drawer installation



Ø6x28mm

A x 18



Ø15x9 mm

B x 18



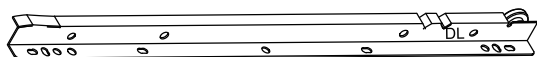
Ø3.5x12mm

D x 12



Ø5x40mm

E x 12



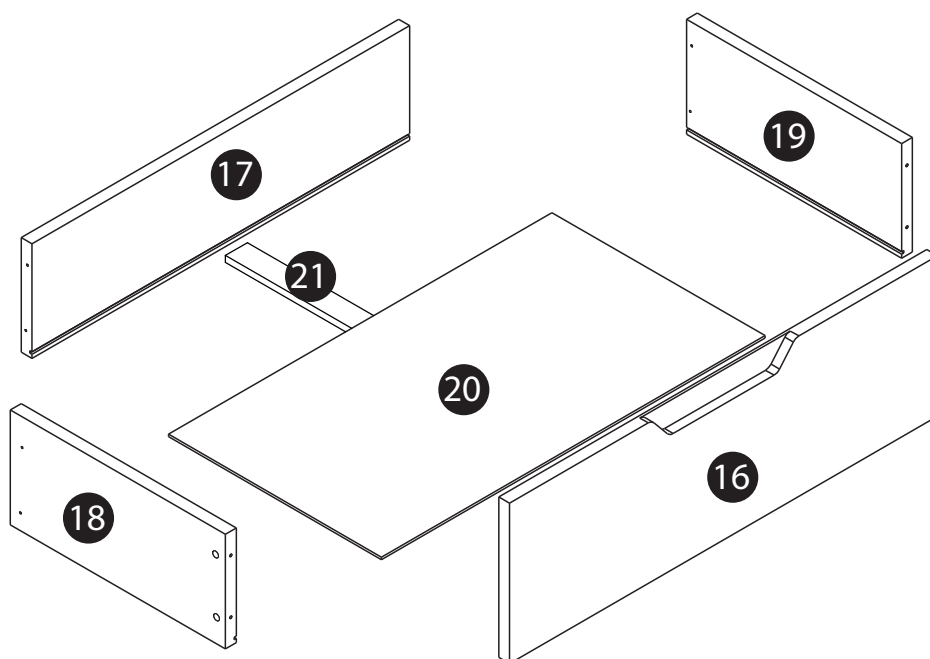
**DL**

x 3



**DR**

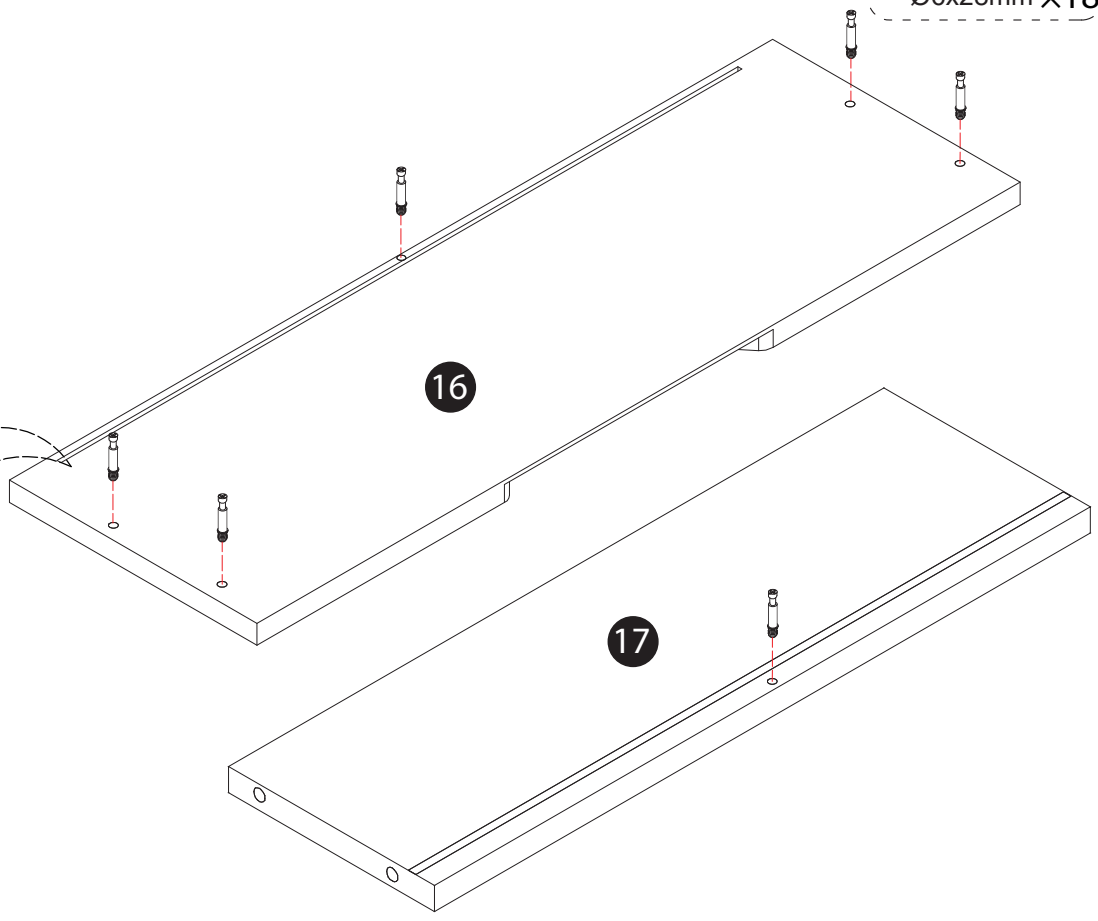
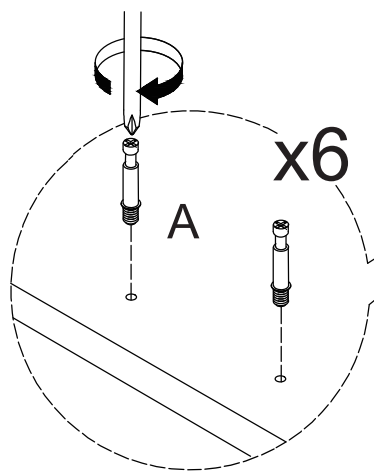
x 3



20

x3

A  
Ø6x28mm x18

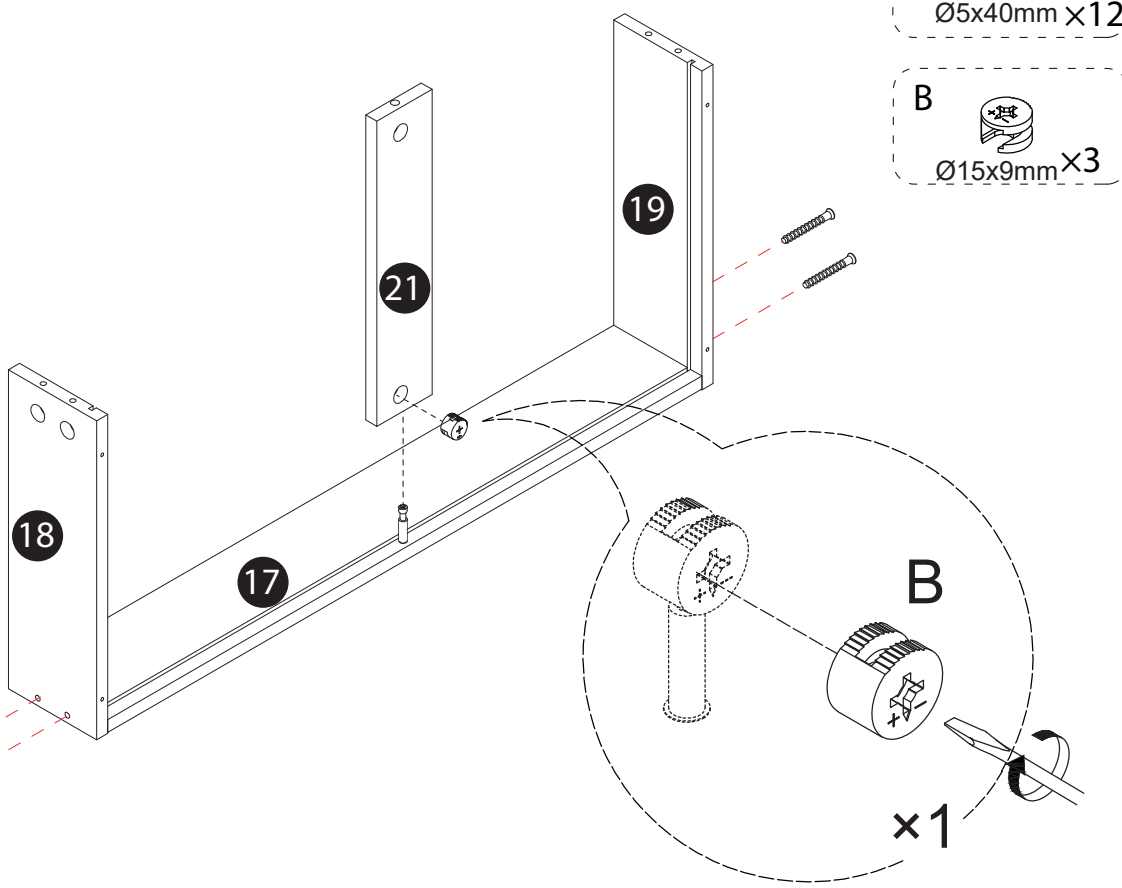
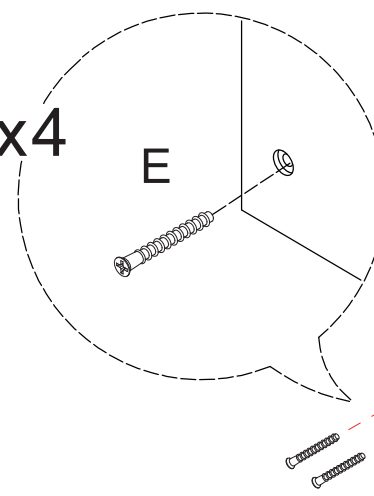


21

x3

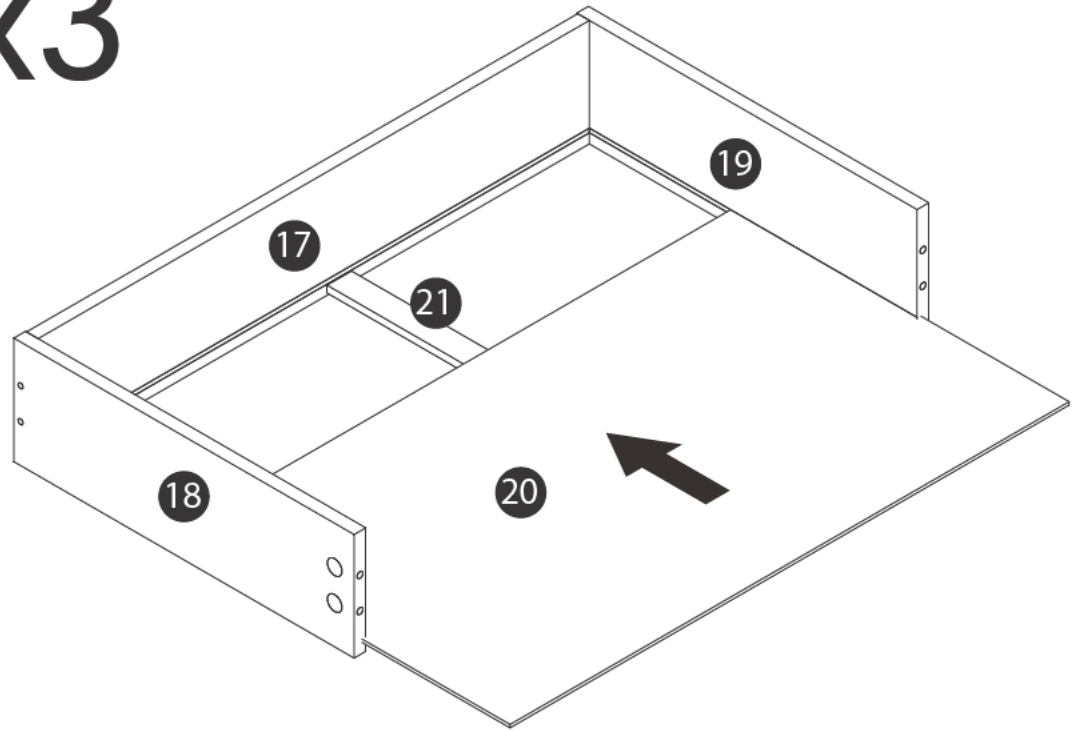
E  
Ø5x40mm x12

B  
Ø15x9mm x3



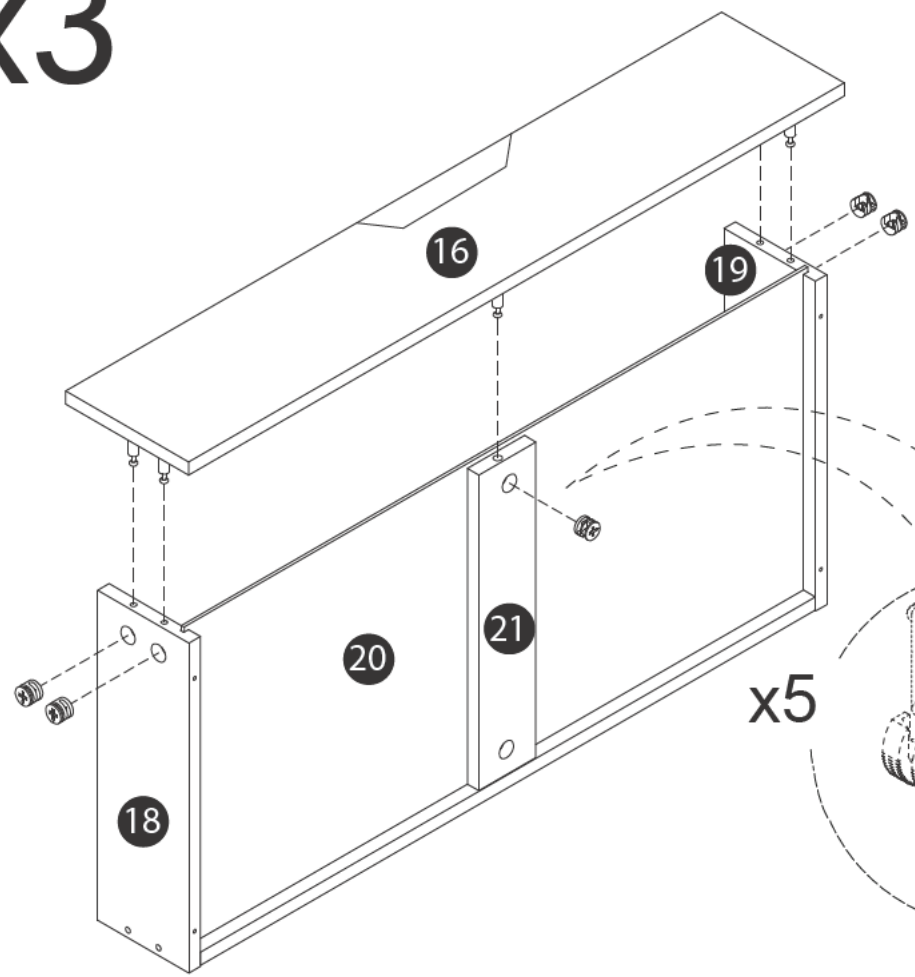
22

x3



23

x3



B  
Ø15x9mm×15

x5

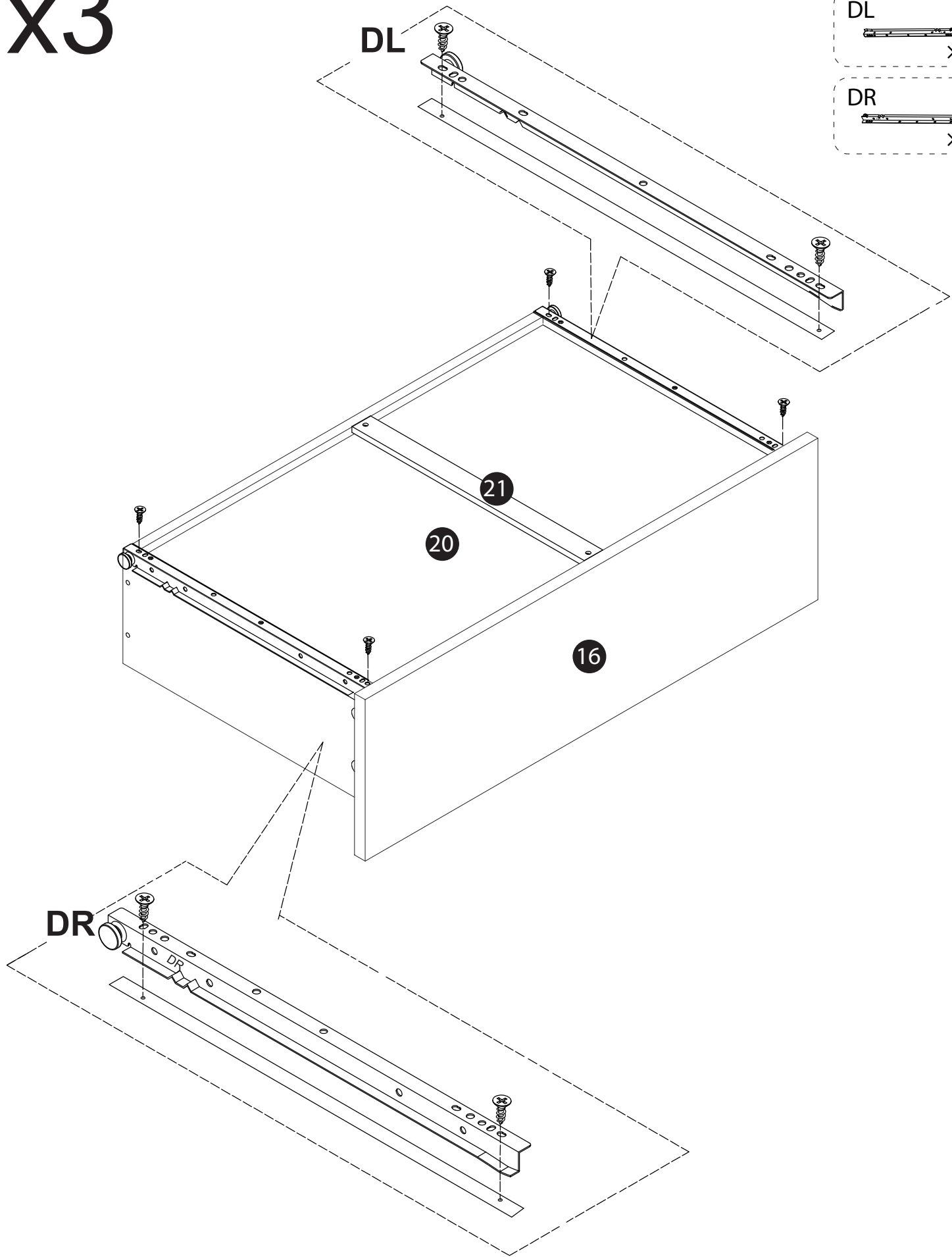
B

x3

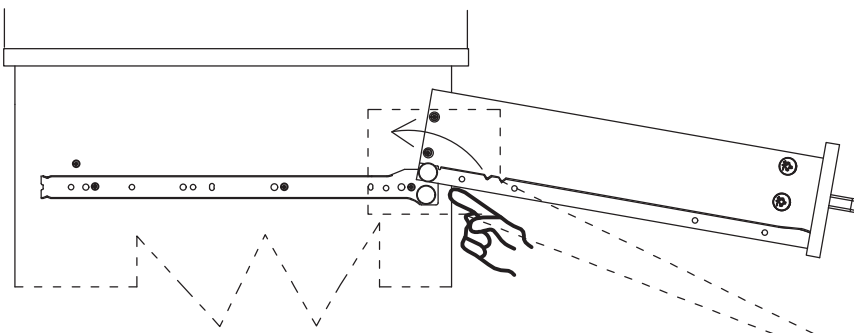
D  
Ø3.5x12mm x12

DL  
x3

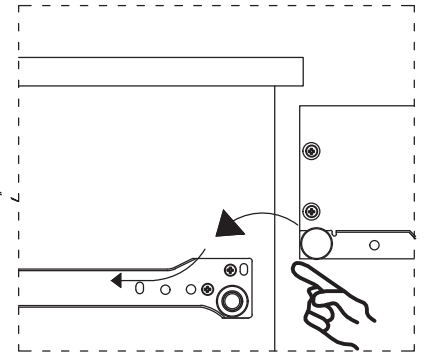
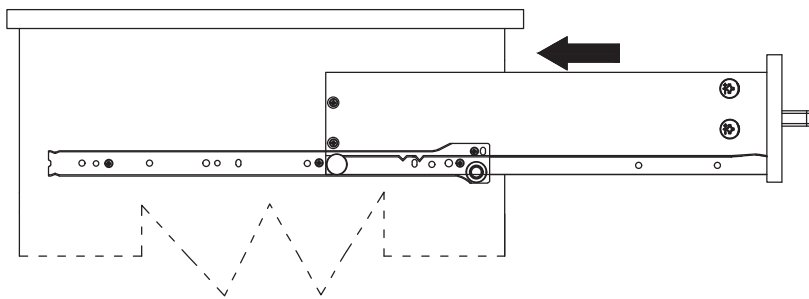
DR  
x3



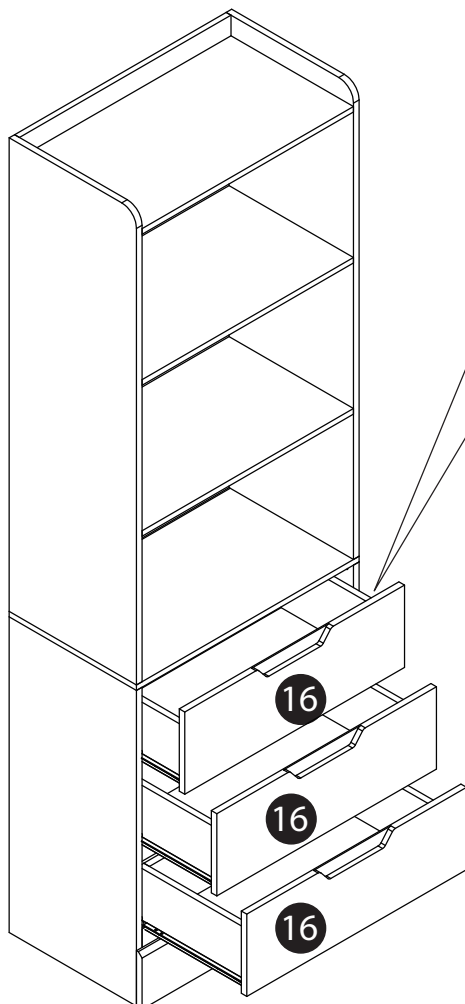
(1)



(2)



x3



**WALL**

**I x2**

**WALL**  
drilling hole  
Ø8x50mm

**II x2**

**WALL**  
J

**III x2**

J x2

K x12

**WALL**

**WALL**

Turn here to tighten

K

K

K

K

K

K

K

K

K

K