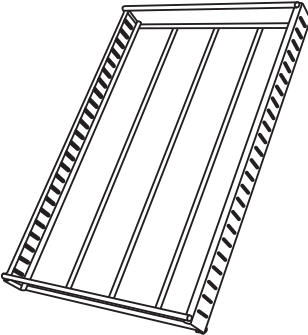
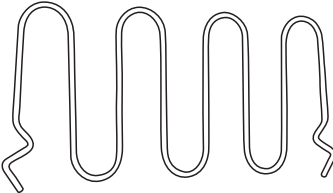


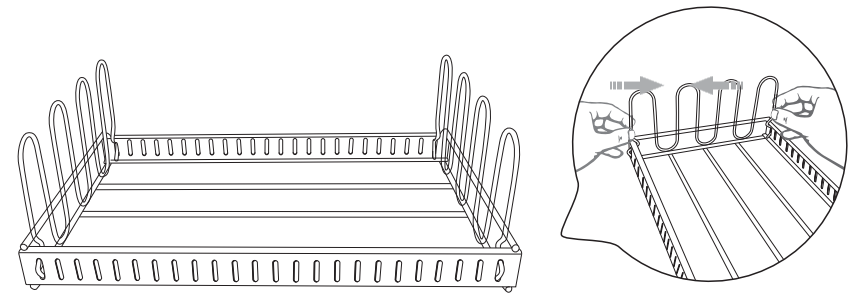
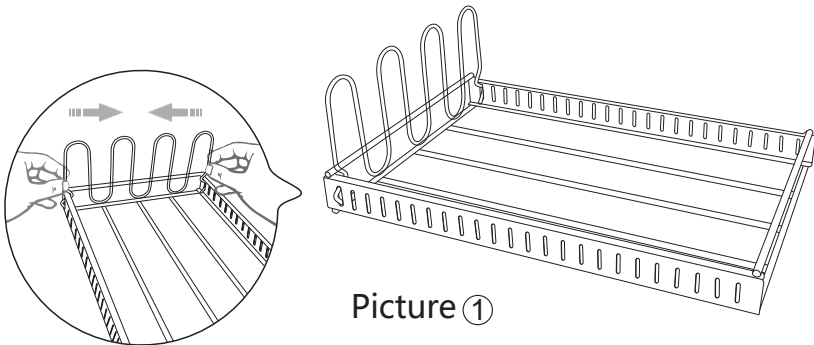
# Installation instructions

## Accessories include

A	B
	
1	6

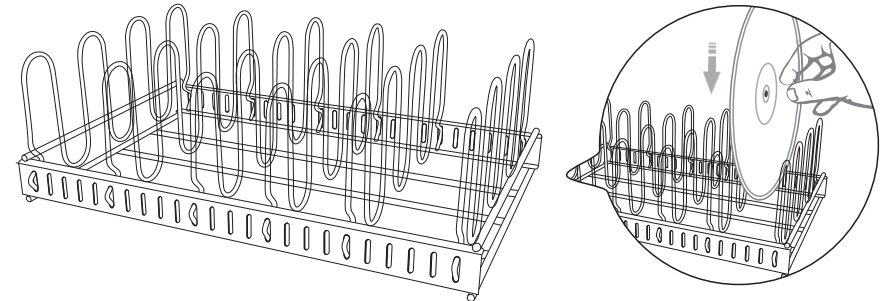
## Installation steps

HStep 1: Press B slightly inwards and snap into A. As shown in picture 1



Picture ①

Step 2: Adjust the distance of B according to your needs. As shown in picture 2



Picture ②