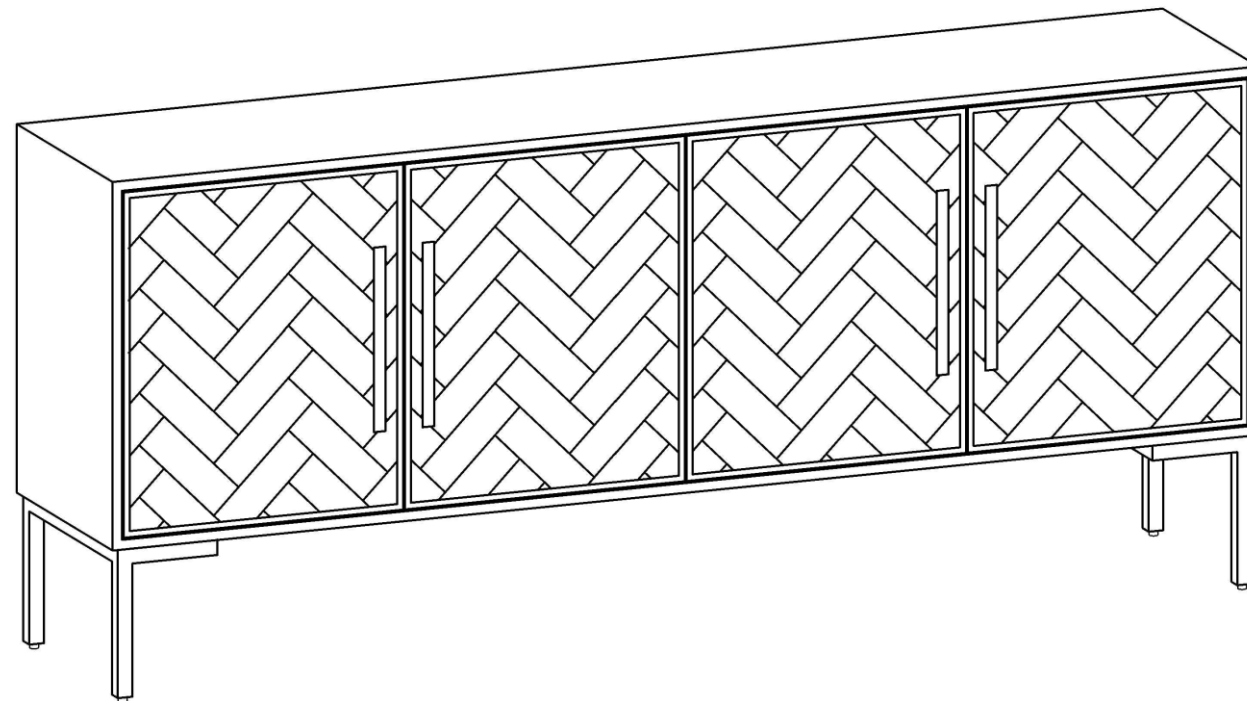


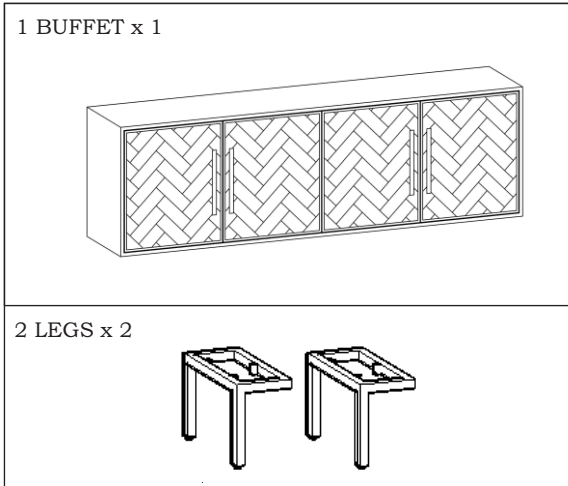
ASSEMBLY INSTRUCTIONS

SIDEBOARD



THANK YOU FOR YOUR PURCHASE!

PARTS AND HARDWARE.



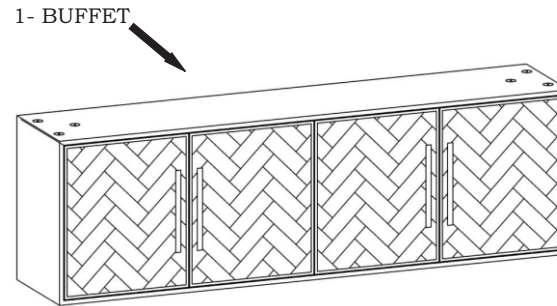
NO.	DESCRIPTION	IMAGE	QTY.
H1	ALLEN BOLT (6X35 MM)		6
H2	ALLEN WASHER (DIA 20 6 X 1 MM)		6
H3	ALLEN KEY		1
H4	ADJUSTER (6X12X10)		4

NOTES.

Thank you for purchasing this quality product be sure to check all packing material carefully for small part that may have loose inside the carton during shipping.

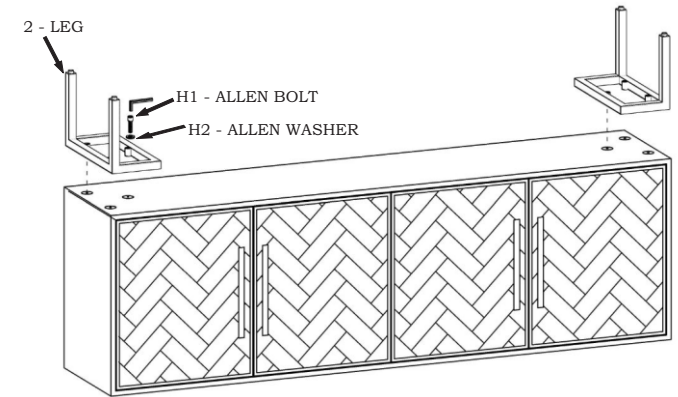
CAUTION: The item is heavy, assembly should be performed by four people.

STEP 1.



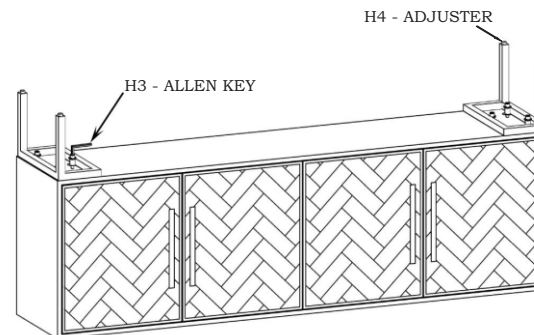
OPEN THE PACKING AND PLACE THE BUFFET UP SIDE DOWN ON SMOOTH SURFACE (CARPET)

STEP 2.



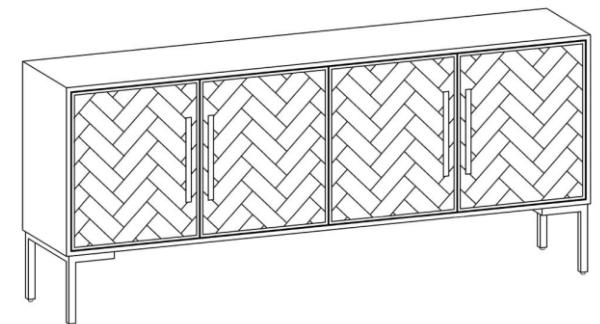
PLACE THE LEGS ON THE HOLE & MATCH BUFFET AND LEG NUMBERS

STEP 3.



USE THE ALLEN KEY TO SCREW THE ALLEN BOLT FROM THE BOTTOM OF THE SIDE

STEP 4.



FINAL ASSEMBLY