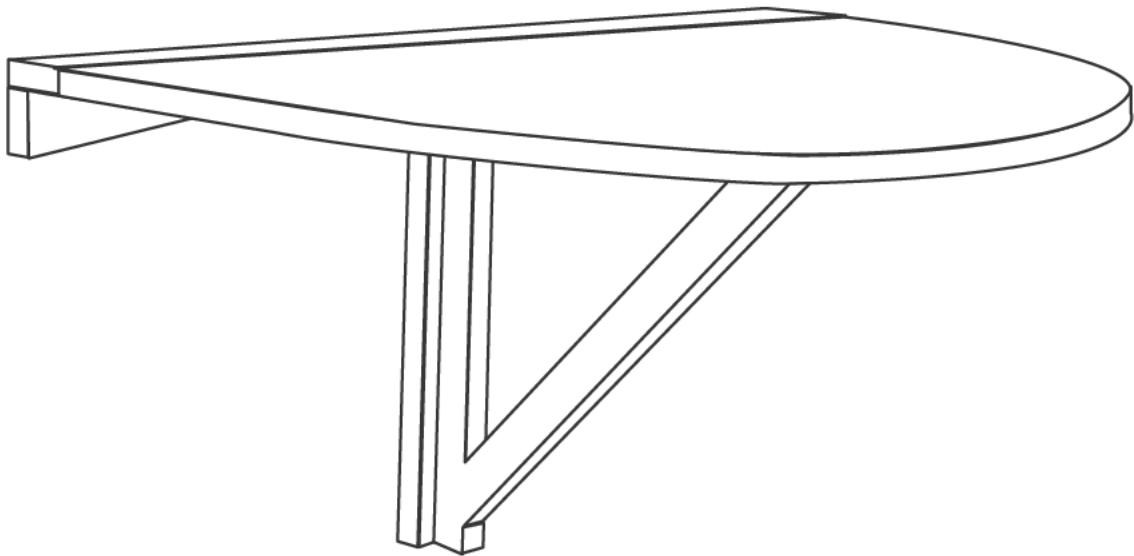


Wall Mounted Table

Assembly Instructions - Please keep for future reference



Dimensions

Width - 75cm
Depth - 43.5cm
Height - 40cm

Important – Please read these instructions fully before starting assembly



Safety and Care Advice

Important – Please read these instructions fully before starting assembly

- Check you have all the components and tools listed on page 2.
- Remove all fittings from the plastic bags and separate them into their groups.
- Keep children and animals away from the work area, small parts could choke if swallowed.
- Make sure you have enough space to layout the parts before starting.

- Do not stand or put weight on the product, this could cause damage.
- Assemble the item as close to its final position (in the same room) as possible.
- Assemble on a soft level surface to avoid damaging the unit or your floor.
- Parts of the assembly will be easier with 2 people.



- We do not recommend the use of power drill/drivers **for inserting screws**, as this could damage the unit. Only use hand screwdrivers.
- Dispose of all packaging carefully and responsibly.

Care and maintenance

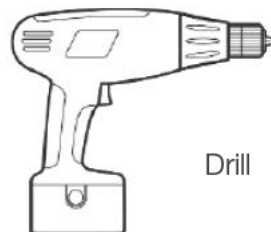
- Only clean using a damp cloth and mild detergent, do not use bleach or abrasive cleaners.
- From time to time check that there are no loose screws on this unit.
- This product should not be discarded with household waste. Take to your local authority waste disposal centre.

Tools required

 Crosshead screwdriver (medium & large)

 Flatblade screwdriver (medium)

 7mm Suitable drill bit (for use with wall plug)



Drill



Small hammer



Ruler/tape measure



Eye protection (when using a hammer or glue)

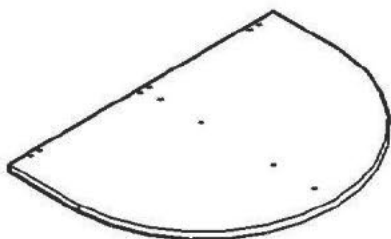
Ruler - Use this ruler to help correctly identify the screws



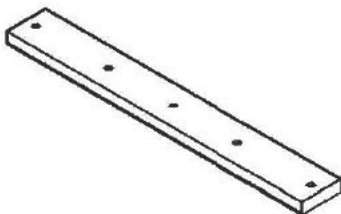
Components - Panels

If you have damaged or missing components, email us at techstyle.spares@stadiumcp.co.uk

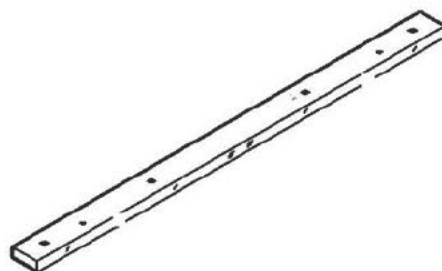
Please check you have all the panels listed below



A



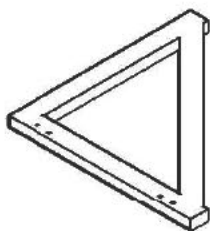
B



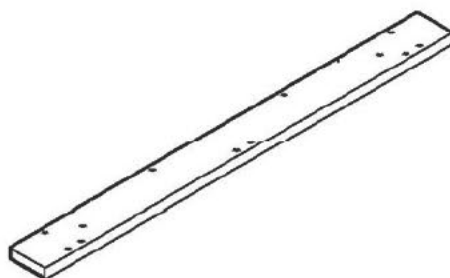
C



D



E

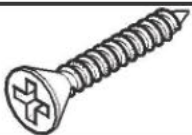



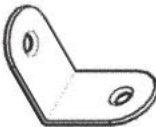
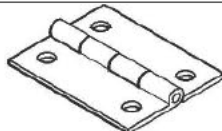




F

Components - Fittings

Please check you have all the fittings listed below

Note: The quantities below are the correct amount to complete the assembly. In some cases more fittings may be supplied than are required.

<p>a</p>  <p>Screw x 4</p>	<p>b</p>  <p>Wooden dowel x 1</p>	<p>c</p>  <p>Large screw x 2</p>
<p>d</p>  <p>Small screw x 24</p>	<p>e</p>  <p>Bracket x 2</p>	<p>f</p>  <p>Hinge x 5</p>
<p>g</p>  <p>Medium Screw x 9</p>	<p>h</p>  <p>Wall plug x 5</p>	

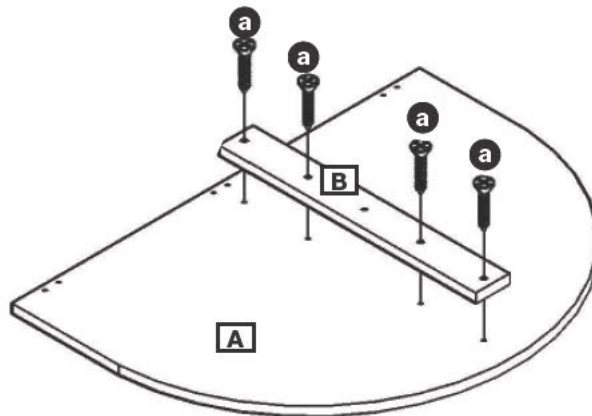
Assembly Instructions

Step 1

Assembly

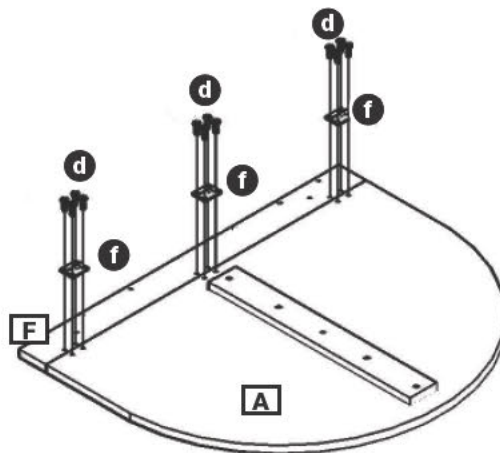
a: Attach brace **B** to top **A** using 4 x screw **a**.

a:



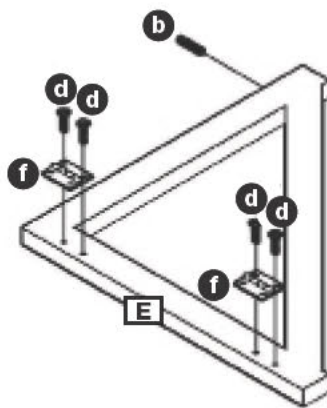
b: Attach shelf **F** to top **A** using 3 x hinge **f** and 4 x small screw **d** for each.

b:



c: Insert 1 x wooden dowel **b** into support leg **E**.

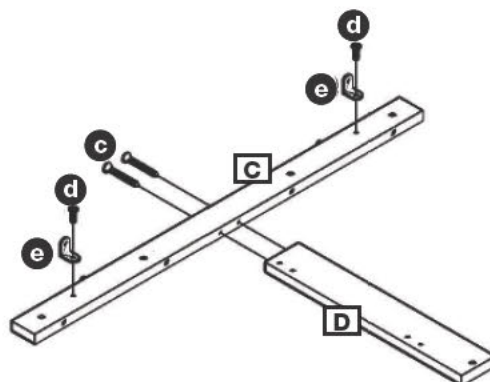
c:



Attach 2 x hinge **f** to support leg **E** using 2 x small screw **d** for each.

d: Attach 2 x bracket **e** to large wall support **C** using 1 x small screw **d** for each.

d:



Attach small wall support **D** to large wall support **C** using 2 x large screw **c**.

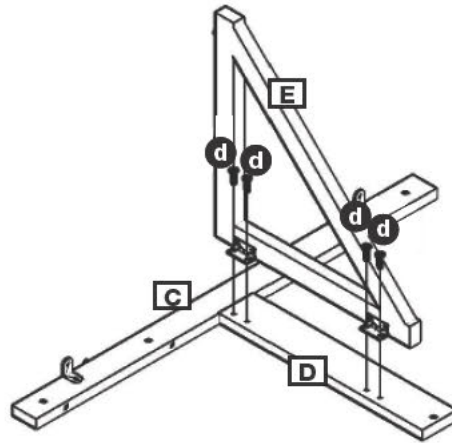
Assembly Instructions

Step 1 cont.

Assembly

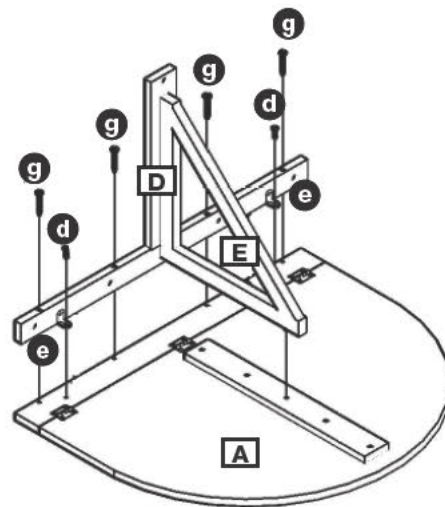
e: Attach support leg **E** to small wall support **D** fixing through 2 x hinge **f** using 2 x small screw **d** for each.

e:



f: Finally fix the leg assembly to the top assembly using 4 x medium screw **g** and 1 x small screw **d** through each of 2 x bracket **e** as shown.

f:



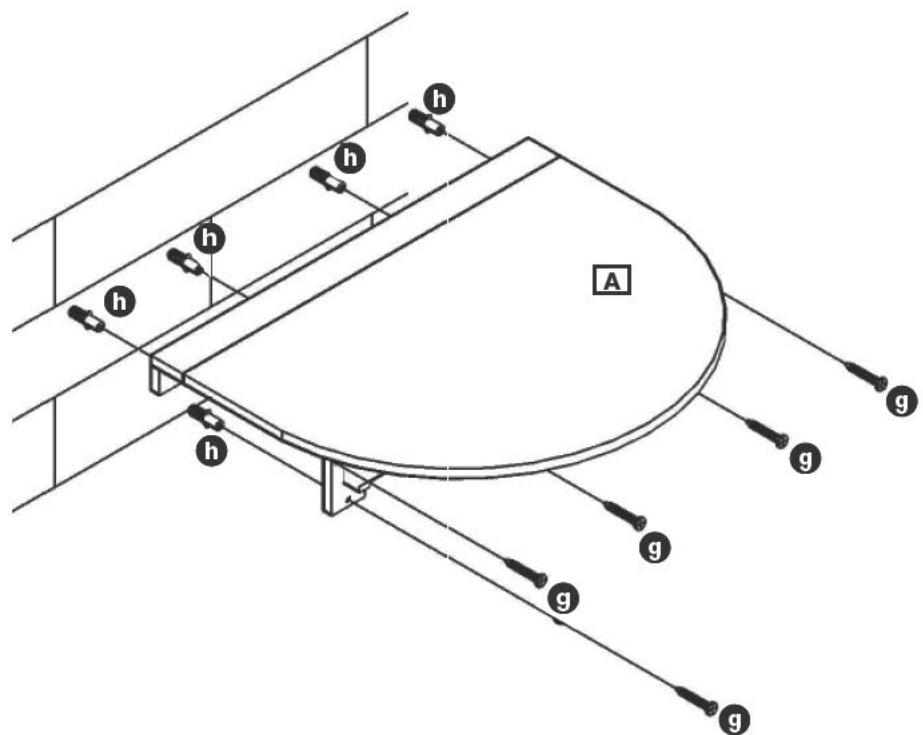
Step 2

g: Offer the table up to the wall making sure it is level. Mark the wall through the 5 x mounting holes.

The fixings provided are for solid walls only. To wall mount this item please refer to the guide to **Wall Mounting & Fixings** on the next page for the correct type of screws and plugs.

Assembly is complete.

g:



A Guide to - Wall Mounting & Fixings

Important note:

If plastic wall plugs are supplied with your product:



- these are only suitable for use in masonry walls.

If you are in any doubt about the correct wall plugs for your wall, seek professional advice.


Failure of the product due to using incorrect fixings is the responsibility of the installer.



Important: When drilling into walls always check that there are no hidden wires or pipes etc.

Make sure that the screws and wall plugs being used are suitable for supporting your unit. Consult a qualified tradesperson if you are unsure.

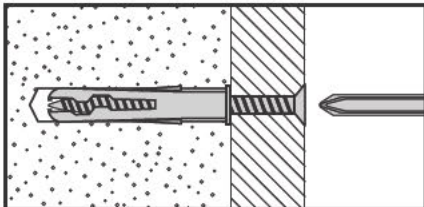
Hints:

- 1: General rule:**  Always use a larger screw and wall plug if you are not sure.
- 2:** Ensure you use the recommended drill bit to match the wall plug and hole size.
- 3:** Ensure you drill the hole horizontally, do not force the drill or enlarge the hole.
- 4:** Take extra care when drilling high walls, ceilings and ceramic tiles. Ensure wall plugs are inserted beyond the thickness of the ceramic tiles to avoid the tiles splitting or cracking.
- 5:** Ensure wall plugs are well fitted and are a tight fit in the drilled hole.

Types of walls

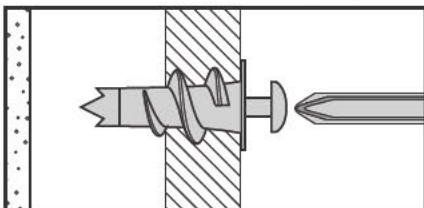
You can use one of the following types of wall plug if your walls are made of brick, breeze block, concrete, stone or wood.

No.1 "General Purpose" wall plug



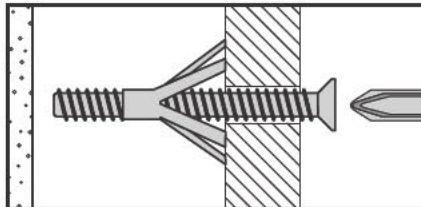
Generally aerated blocks should not be used to support heavy loads, use a specialist fitting in this case. For light loads, general purpose wall plugs can be used.

No.2 "Plasterboard" wall plug



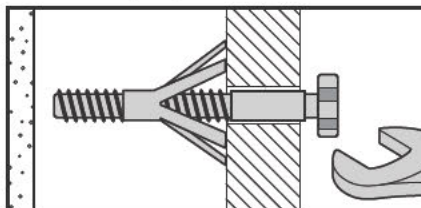
For use when attaching light loads on to plasterboard partitions.

No.3 "Cavity Fixing" wall plug



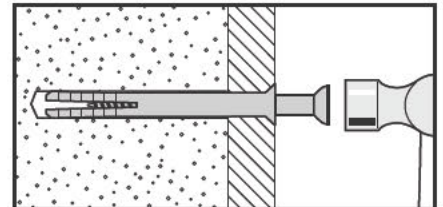
For use with plasterboard partitions or hollow wooden doors.

No.4 "Cavity Fixing-Heavy Duty" wall plug



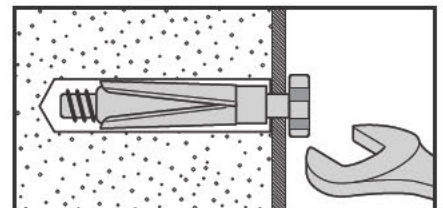
For use when fitting or supporting heavy loads such as shelving, wall cabinets and coat racks.

No.5 "Hammer Fixing" wall plug



For use with walls stuck with plasterboard. The hammer fixing allows it to be fixed to the wall rather than the plasterboard. Always check the fixing is secure to the retaining wall.

No.6 "Shield Anchor" wall plug Heavy loads



For use with heavier loads such as TV & HiFi speakers and satellite dishes etc.



Care & Maintenance

Safety: Always check the fitting and location to ensure your safety in and around the home.

Fitting: From time to time check the fitting to ensure the wall plugs or screws do not become loose.