

ASSEMBLY INSTRUCTION

Thank you for purchasing this quality product. Be sure to check all packing material carefully for small parts which may have come loose inside the carton during shipment. Separate, identify and count all parts and hardware. Compare with the parts list to be sure all parts are present.

IMPORTANT : PLEASE READ INSTRUCTION BEFORE STARTING THE ASSEMBLY.

"DO NOT TIGHTEN SCREWS UNTIL COMPLETELY ASSEMBLED"

"DO NOT OVERTIGHT ANY HARDWARE"

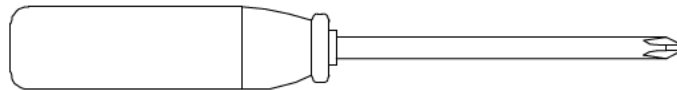
WARNING : SMALL PARTS AND HARDWARE NOT FOR CHILDREN UNDER 3 YEARS. ADULT ASSEMBLY REQUIRED.

TABLE OF CONTENTS

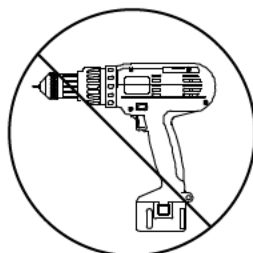
HARDWARES LIST	PAGE 2
PARTS LIST	PAGE 3
PARTS' LOCATION	PAGE 4
DESCRIPTION	PAGE 5
ASSEMBLY STEPS	PAGE 6 - 8
ASSEMBLY COMPLETED	PAGE 8

ASSEMBLY TOOLS REQUIRED

1. Screwdriver (not provide)

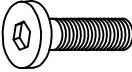
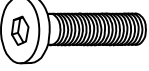
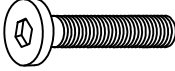

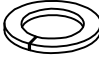






Skip the power trip this time.



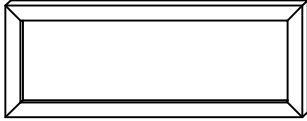
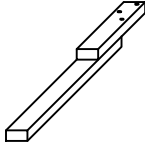
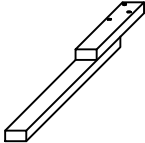
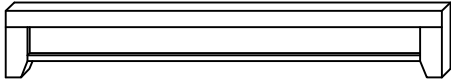
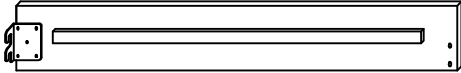
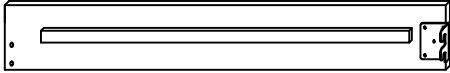
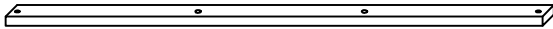
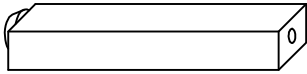
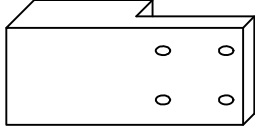
ASSEMBLY INSTRUCTION

HARDWARES LIST

ITEM	DESCRIPTION	DRAWING	QTY
A	JCBB SCREW M8 x 20MM		8 PCS
B	JCBB SCREW M8 x 25MM		8 PCS
C	JCBB SCREW M8 x 35MM		6 PCS
D	JCBC SCREW M6 x 35MM		8 PCS
E	SPRING WASHER M8 x 14MM		14 PCS
F	SPRING WASHER M8 x 22MM		14 PCS
G	CSK C/B SCREW (M4 x 32MM)		8 PCS
H	M4 ALLEN KEY (65MM)		1 PC
I	M5 ALLEN KEY (65MM)		1 PC

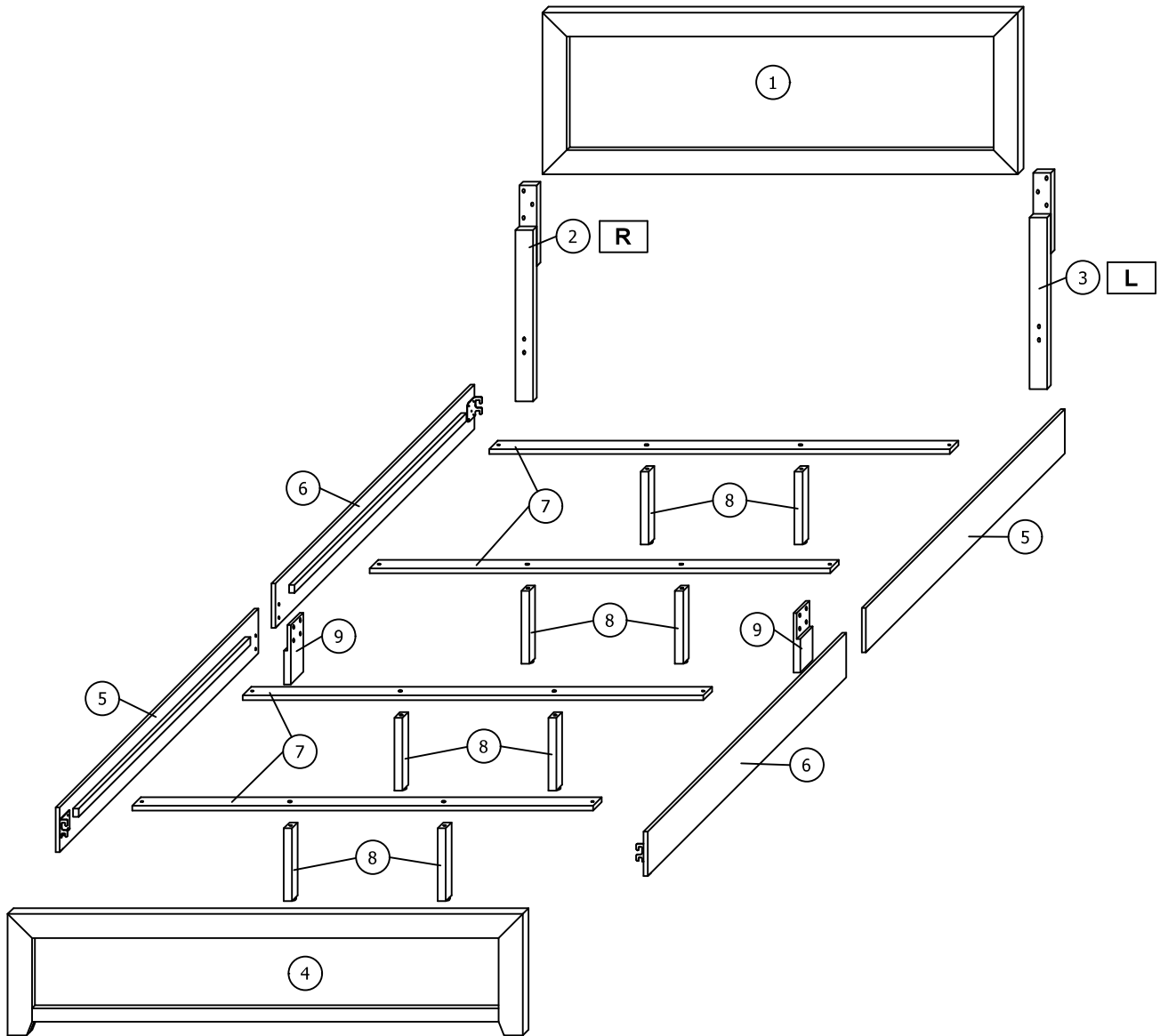
ASSEMBLY INSTRUCTION

PARTS LIST

ITEM	DESCRIPTION	DRAWING	QTY
1	HEADBOARD		1 PC
2	HEADBOARD SUPPORT RAIL(R)		1 PC
3	HEADBOARD SUPPORT RAIL(L)		1 PC
4	FOOTBOARD		1 PC
5	SIDE RAIL (i)		2 PCS
6	SIDE RAIL (ii)		2 PCS
7	SLAT		4 PCS
8	CENTRE SUPPORT LEG		8 PCS
9	SIDE RAIL SUPPORT RAIL		2 PCS

ASSEMBLY INSTRUCTION

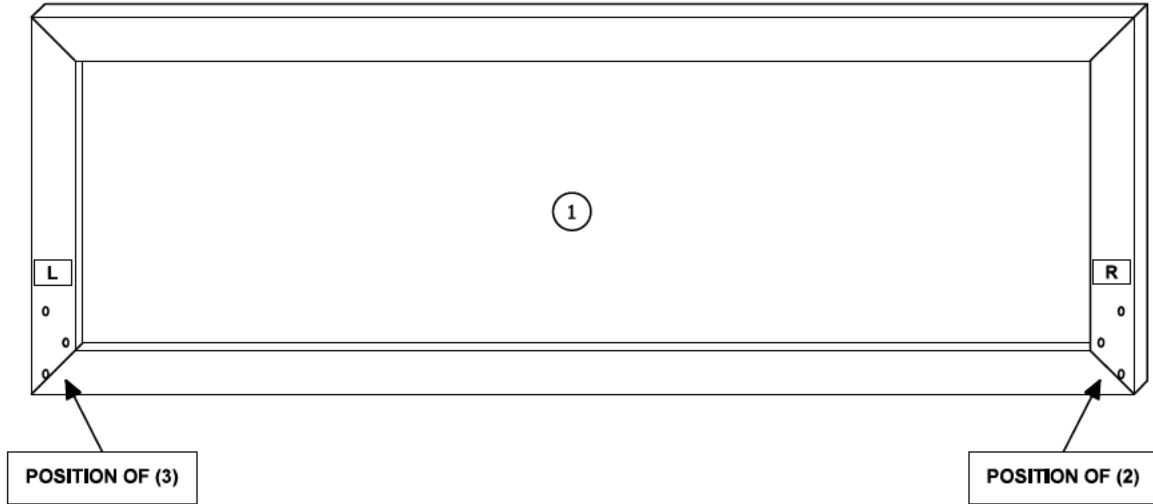
PARTS ' LOCATION



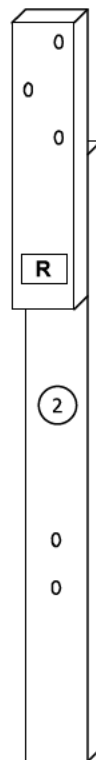
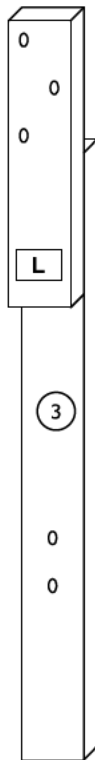
ASSEMBLY INSTRUCTION

DESCRIPTION

There are two stickers pre-sticked on backside of HEADBOARD(1) which separately marked with L and R .



There is a sticker pre-sticked on backside of HEADBOARD SUPPORT RAIL(R)-(2) which marked with R .
There is a sticker pre-sticked on backside of HEADBOARD SUPPORT RAIL(L)-(3) which marked with L .

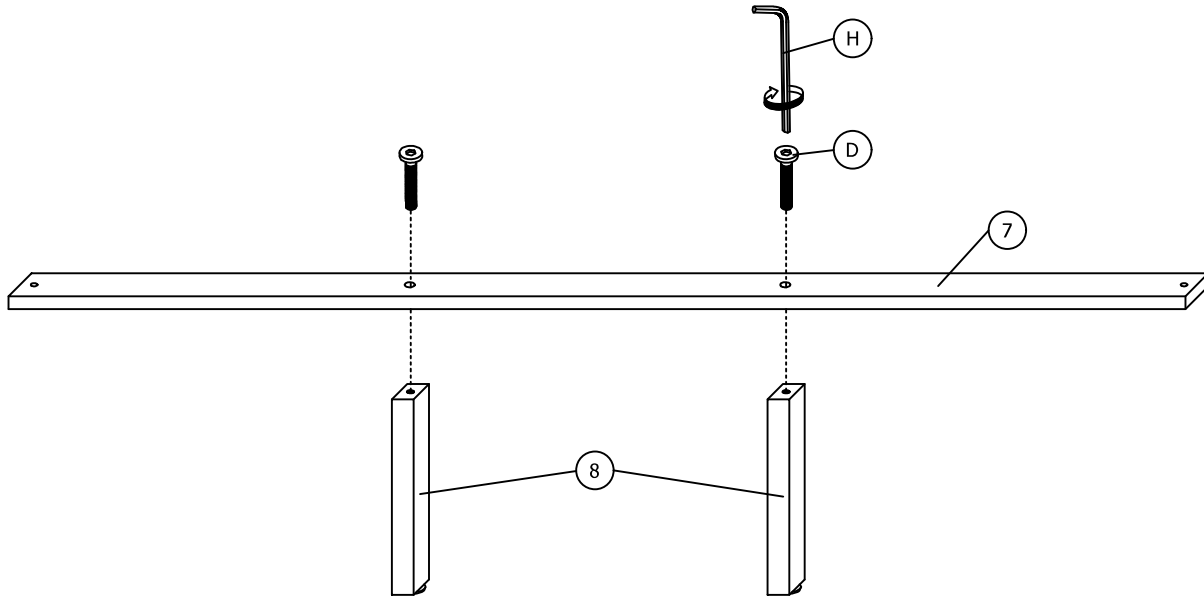


ASSEMBLY INSTRUCTION

ASSEMBLY STEPS

STEP 1

Insert 2 pieces (D) to combine 1 piece (7) and 2 pieces (8) as shown. This step needs to be **done four times**.

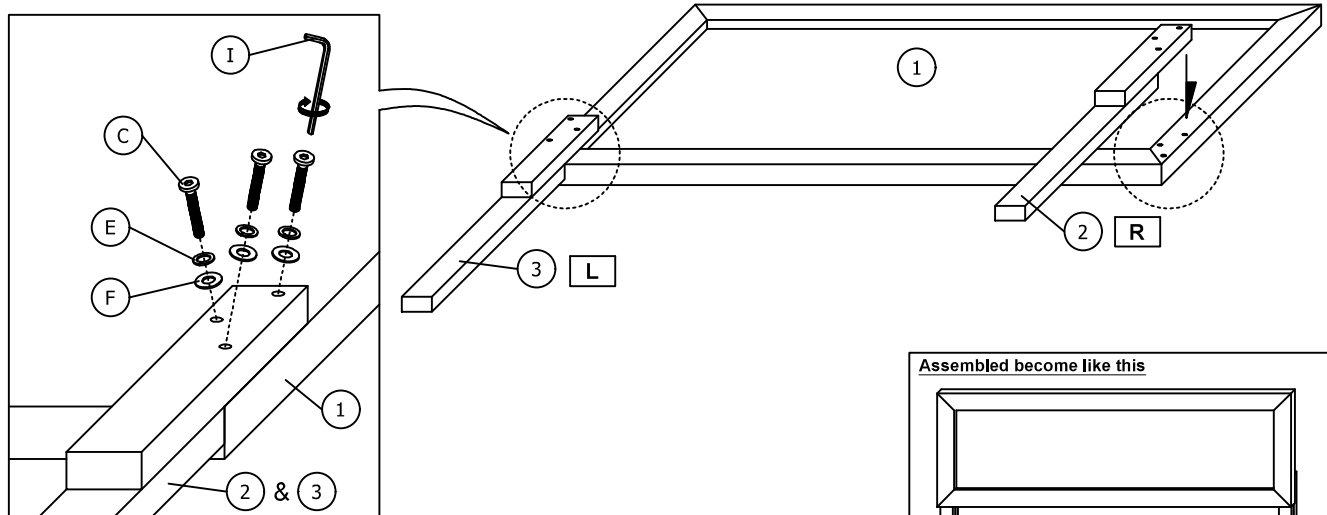


Assembled become like this

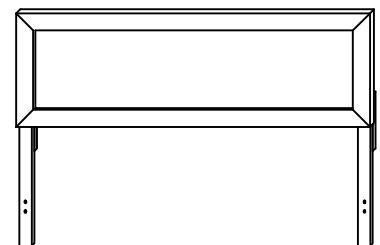


STEP 2

Insert the 6 pieces (C), (E) and (F) to combine (2),(3) to the (1) as shown.



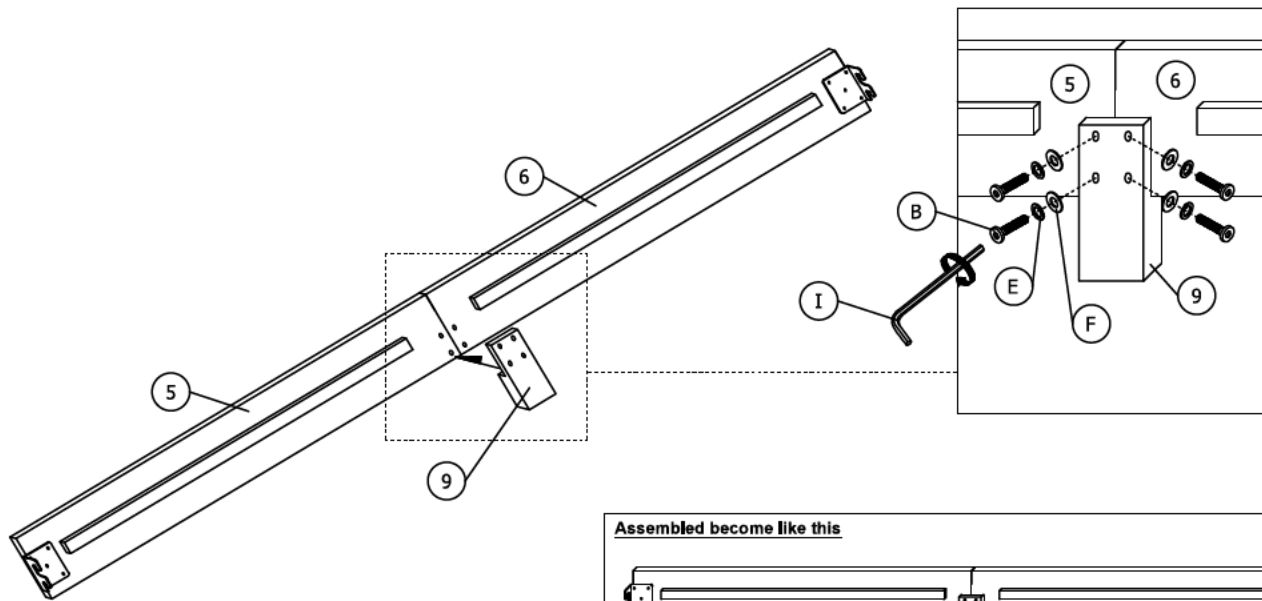
Assembled become like this



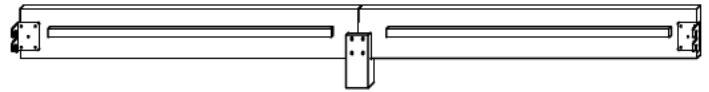
ASSEMBLY INSTRUCTION

STEP 3

Insert 4 pieces (B),(E) and (F) to combine (9),(5) and (6) as shown. This step needs to be done twice.

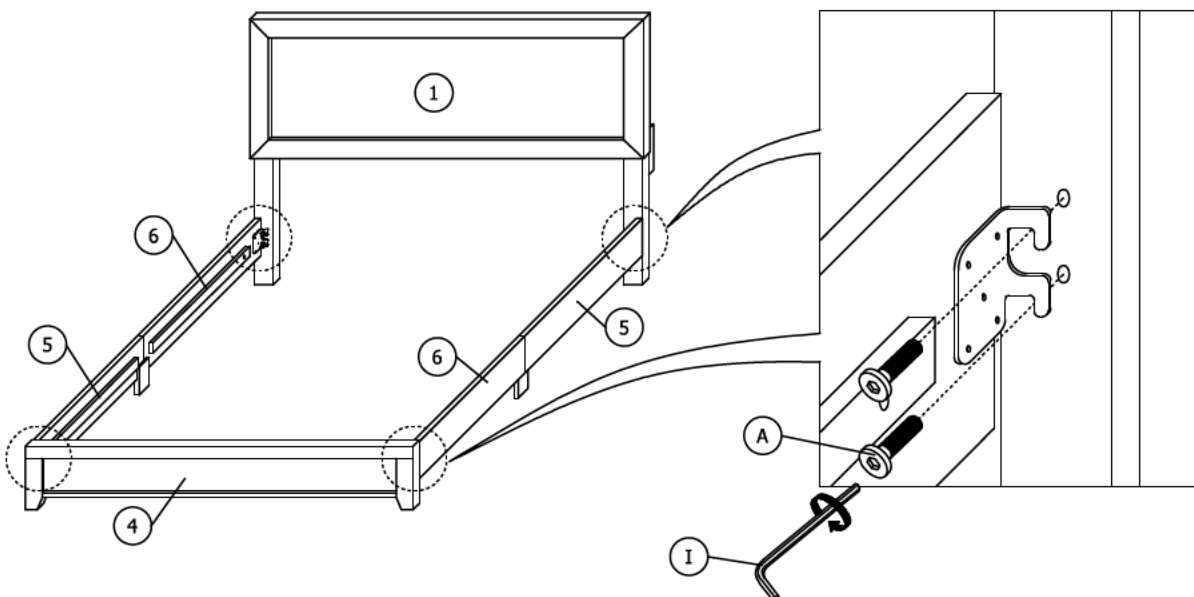


Assembled become like this



STEP 4

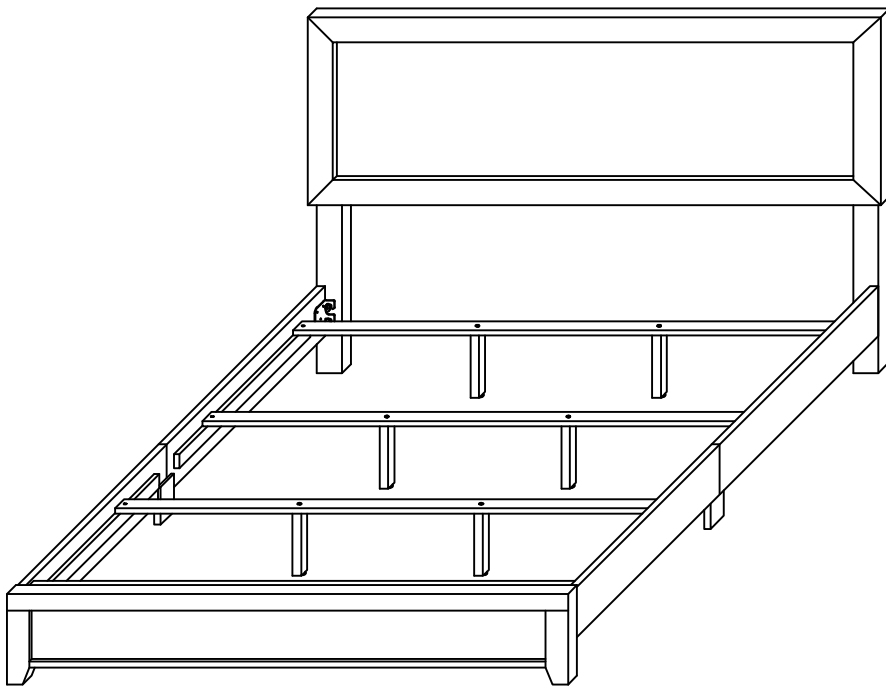
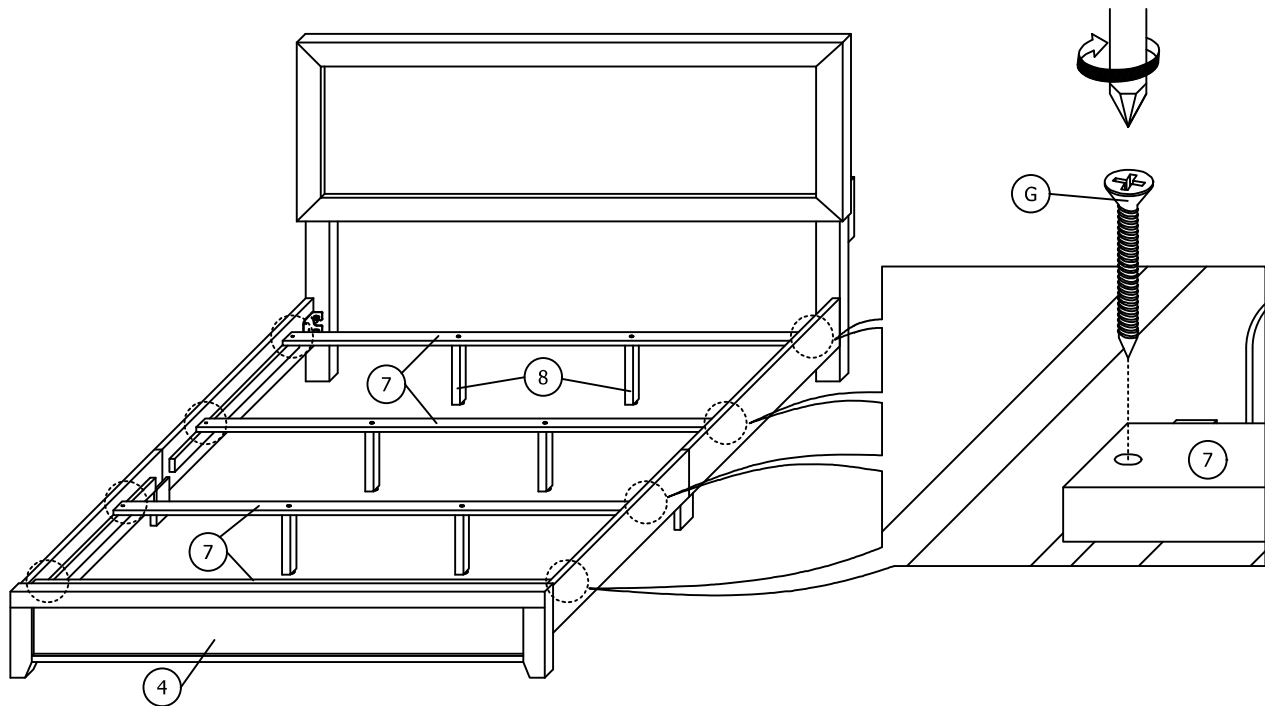
Insert all the 8 pieces (A) to combine (2),(3),(4),(5) and (6) as shown.



ASSEMBLY INSTRUCTION

STEP 5

Insert 8 pieces (G) to fix the (7) on the wood of (5) and (6) as shown.



ASSEMBLY COMPLETED