




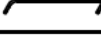
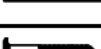






CARE AND MAINTENANCE

Spot clean using a mild water-free solvent. Only a professional cleaner should undertake a complete overall cleaning.
The use of steam or water-based cleaners may cause excessive shrinking or staining.

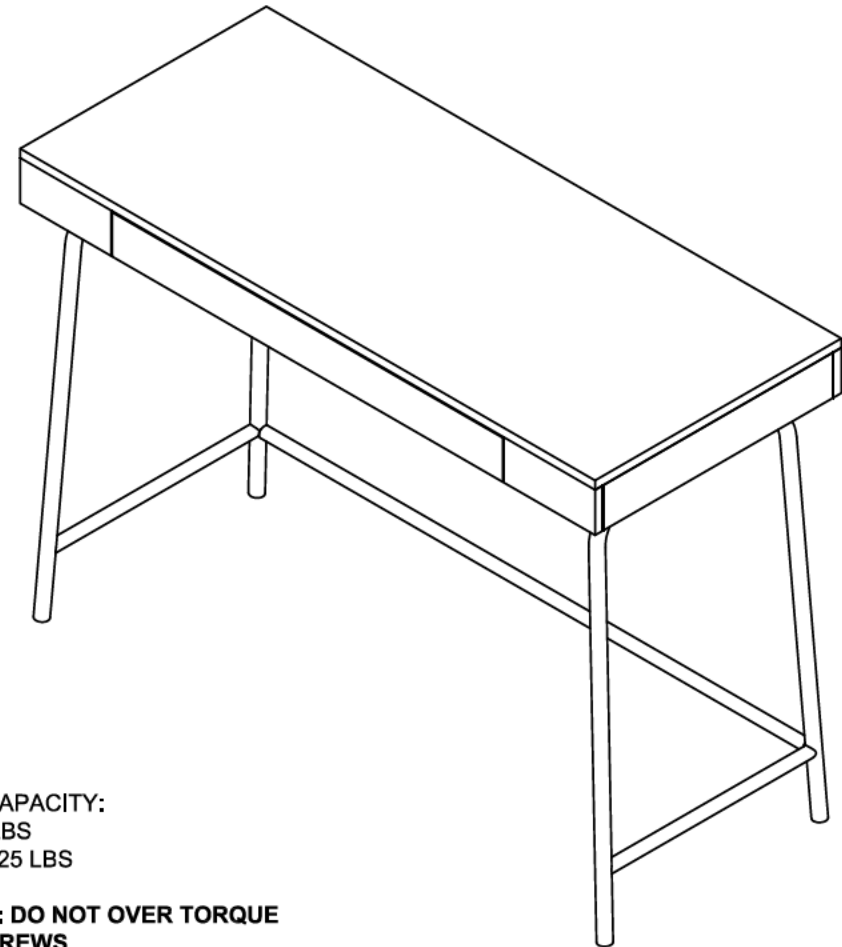
NOTICE

- * Please make sure that you have all parts indicated before you begin assembly of this item.
- * This item should be assembled on a soft surface to prevent scratching the finish during assembly.
- * This item may require periodic tightening.

Part List and Hardware List

PIECE	DESCRIPTION	PICTURE	QUANTITY
A	TOP UNIT		1X
B	LEFT LEG FRAME		1X
C	RIGHT LEG FRAME		1X
D	TOP FRAME		2X
E	STRETCHER		1X
1	40mm HEAD CAP BOLT	M6x40mm 	4X
2	30mm HEAD CAP BOLT	M6x30mm 	8X
3	25mm HEAD CAP BOLT	M6x25mm 	4X
4	15mm HEAD CAP BOLT	M6x15mm 	2X
5	SPRING WASHER		2X
6	ALLEN KEY		1X

Product Dimensions: 42" W x 18" D x 30" H



WEIGHT CAPACITY:
TOP: 100 LBS
DRAWER: 25 LBS

**WARNING: DO NOT OVER TORQUE
BOLTS/SCREWS**

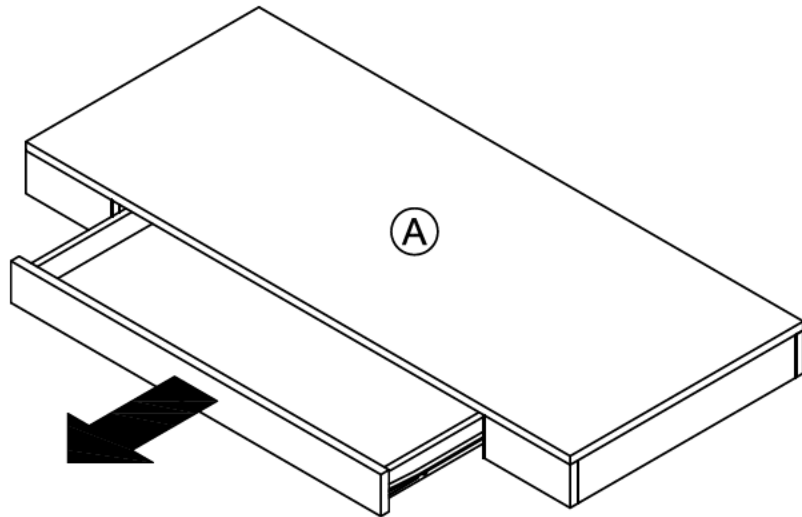
PREPARATION

Before beginning assembly of product, make sure all parts are present. Compare parts with package contents list and hardware contents list.

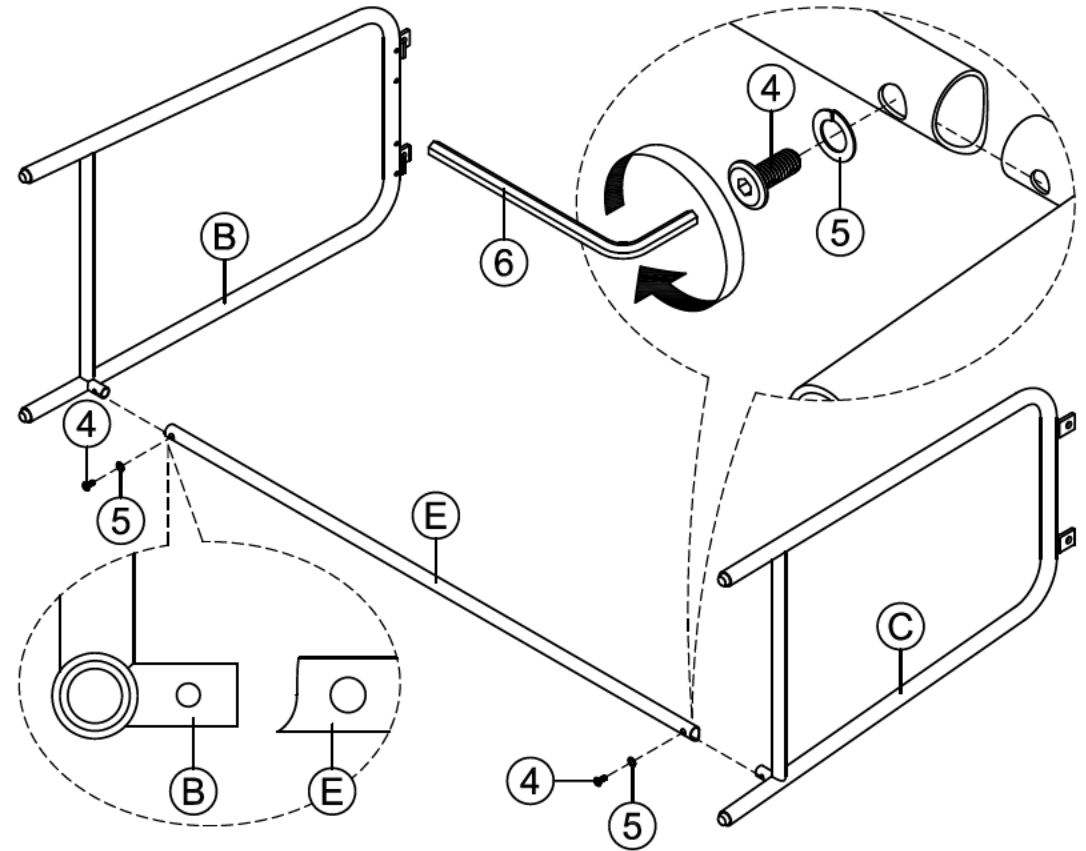
If any part is missing or damaged, do not attempt to assemble the product.

Estimated Assembly Time: 30 minutes.

Tools Required for Assembly : Phillips Screwdriver



STEP 1 PULL OUT THE DRAWER ASSEMBLY FROM TOP UNIT.



STEP 2 ATTACH LEFT AND RIGHT LEG FRAMES TO STRETCHER USING 15mm HEAD CAP BOLTS AND SPRING WASHERS.
NOTE: TURN BOLTS USING ALLEN KEY ONLY HALFWAY THIS TIME.

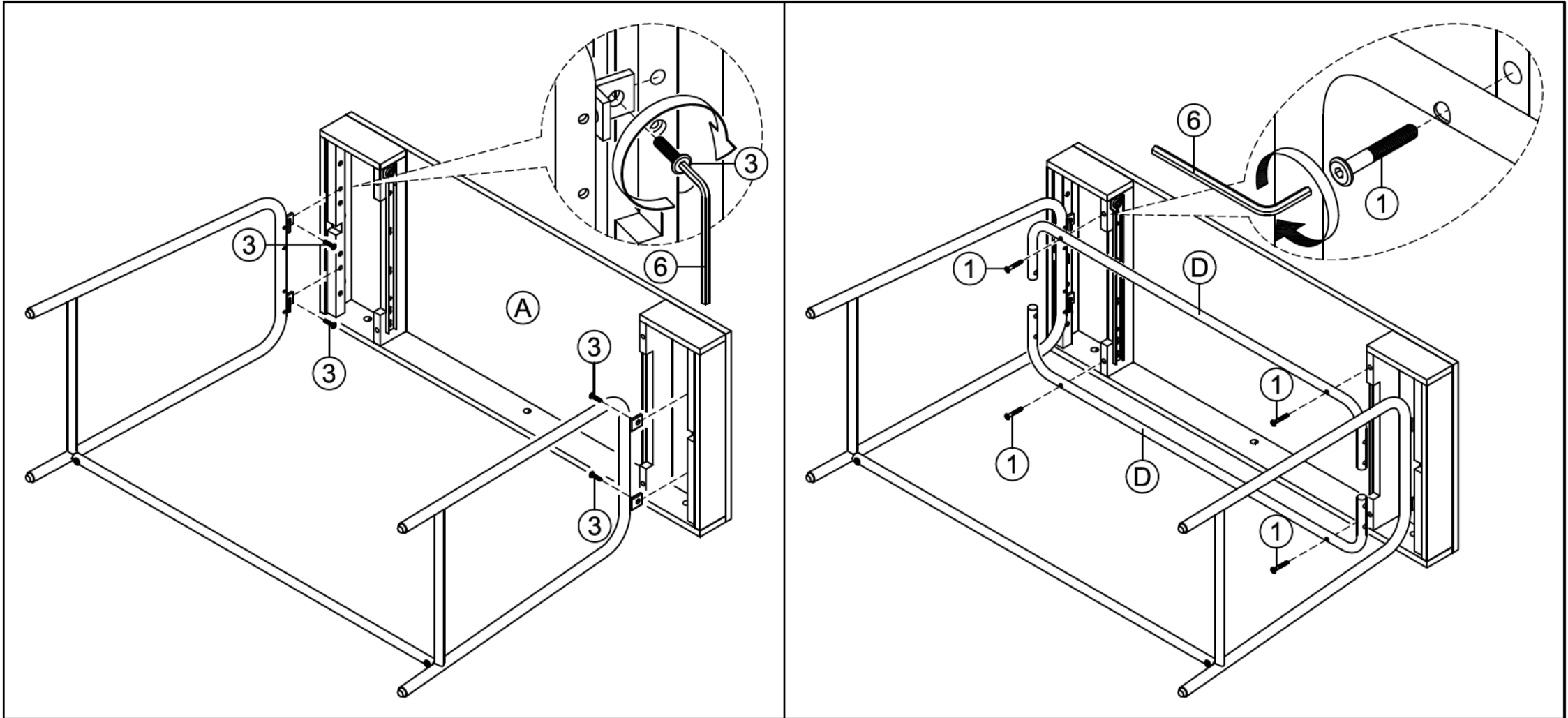
PREPARATION

Before beginning assembly of product, make sure all parts are present. Compare parts with package contents list and hardware contents list.

If any part is missing or damaged, do not attempt to assemble the product.

Estimated Assembly Time: 30 minutes.

Tools Required for Assembly : Phillips Screwdriver



STEP 3 ATTACH UNIT TO TOP UNIT USING 25mm HEAD CAP BOLTS. TIGHTEN BOLTS USING ALLEN KEY.

STEP 4 ATTACH TOP FRAMES TO UNIT USING 40mm HEAD CAP BOLTS.
NOTE: TURN BOLTS USING ALLEN KEY ONLY HALFWAY THIS TIME.

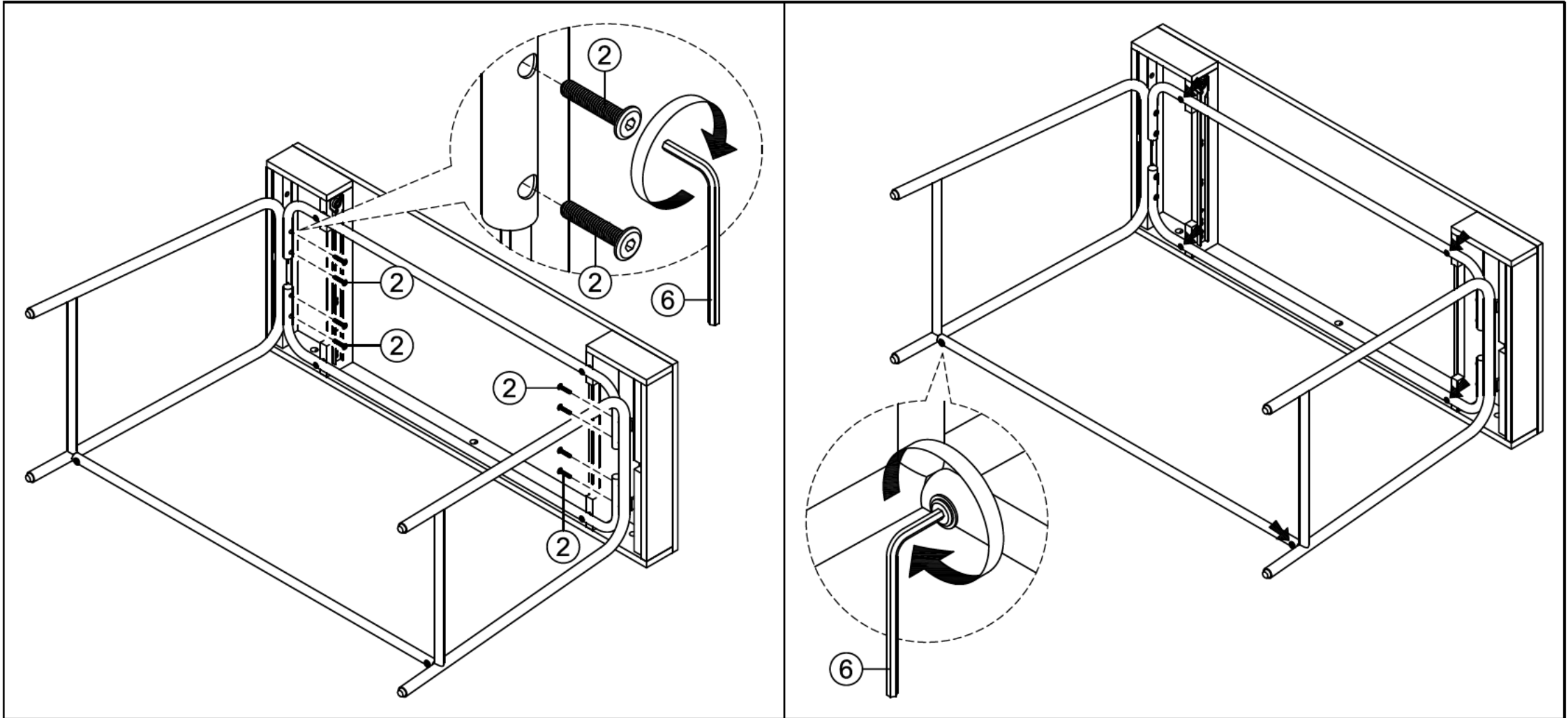
PREPARATION

Before beginning assembly of product, make sure all parts are present. Compare parts with package contents list and hardware contents list.

If any part is missing or damaged, do not attempt to assemble the product.

Estimated Assembly Time: 30 minutes.

Tools Required for Assembly : Phillips Screwdriver



STEP 5 ATTACH 30mm HEAD CAP BOLTS TO UNIT. TIGHTEN BOLTS USING ALLEN KEY.

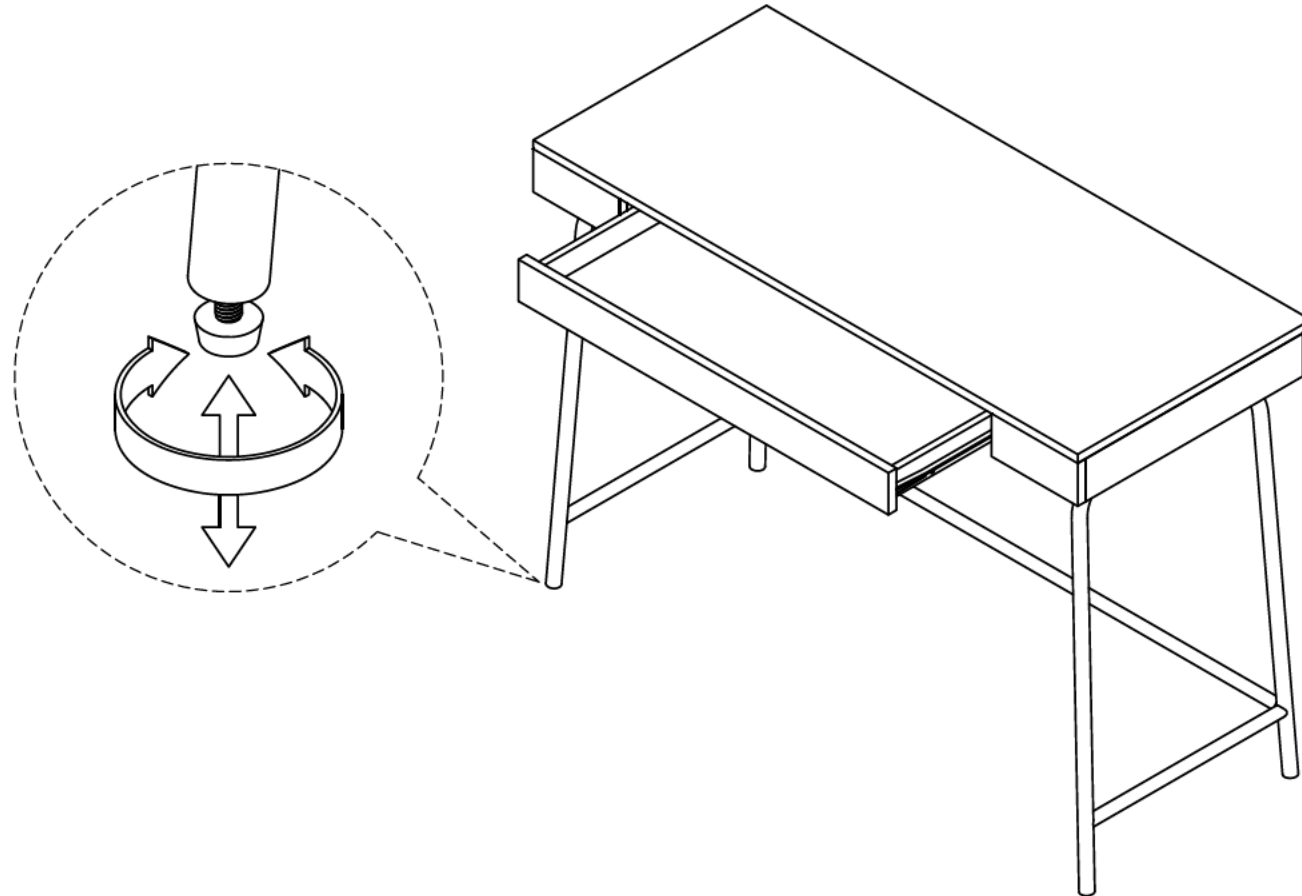
STEP 6 TIGHTEN ALL BOLTS FROM STEP 2 AND 4 USING ALLEN KEY.

PREPARATION

Before beginning assembly of product, make sure all parts are present. Compare parts with package contents list and hardware contents list. If any part is missing or damaged, do not attempt to assemble the product.

Estimated Assembly Time: 30 minutes.

Tools Required for Assembly : Phillips Screwdriver



STEP 7 SLIDE DRAWER ASSEMBLY INTO UNIT. ADJUST THE ADJUSTER BOLT THAT HAS ALREADY ASSEMBLED TO THE LEGS TO STABILIZE YOUR UNIT