

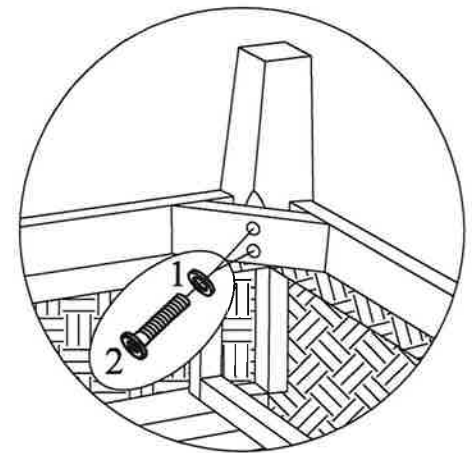
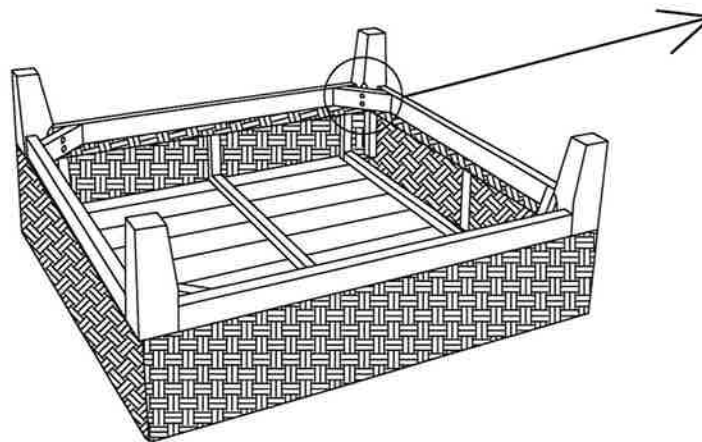
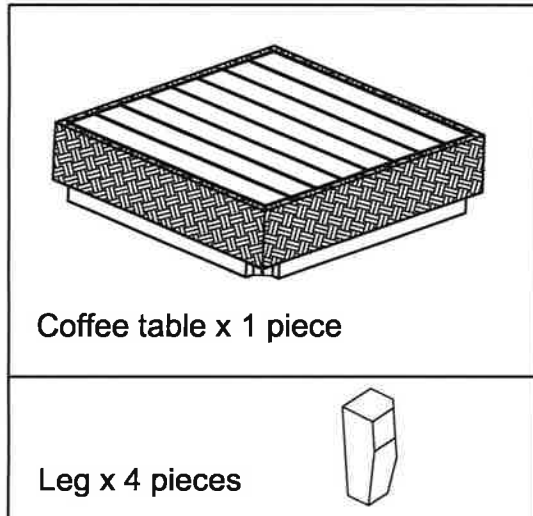
# ASSEMBLY INSTRUCTIONS

## Coffee Table


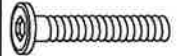

**Note: STOP! PLEASE READ FIRST:**

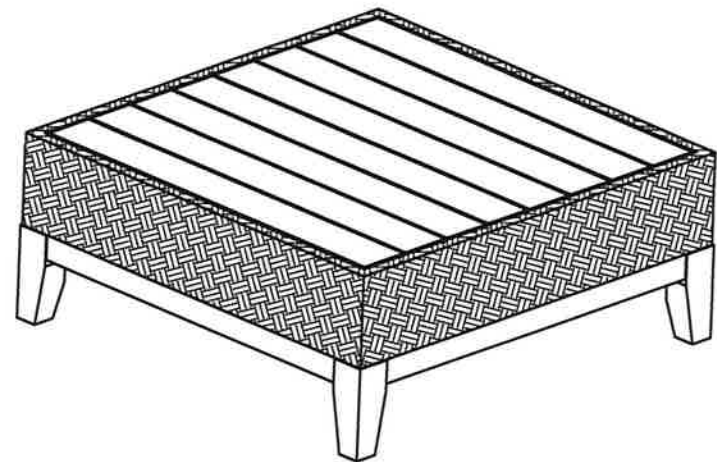
Thank you for purchasing this item  
Please verify all the hardware and components are included  
as you unpack the carton. Place the items on safe area to  
avoid loss and damaging contents. Use a soft area or  
empty box to assembly the item.

### PARTS LIST



### HARDWARE LIST

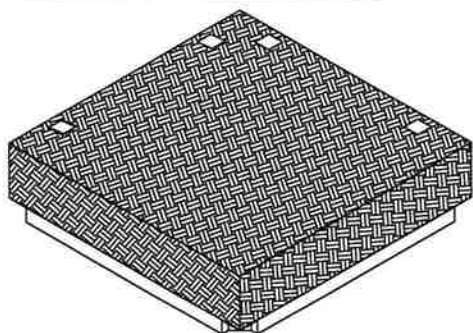
1		16/6.5 x 2mm	8 pieces
2		6 x 45mm	8 pieces
3		Allen key	1 piece



# ASSEMBLY INSTRUCTIONS

## Corner Unit

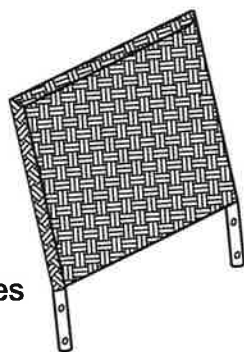
### PARTS LIST



Seat x 1 piece

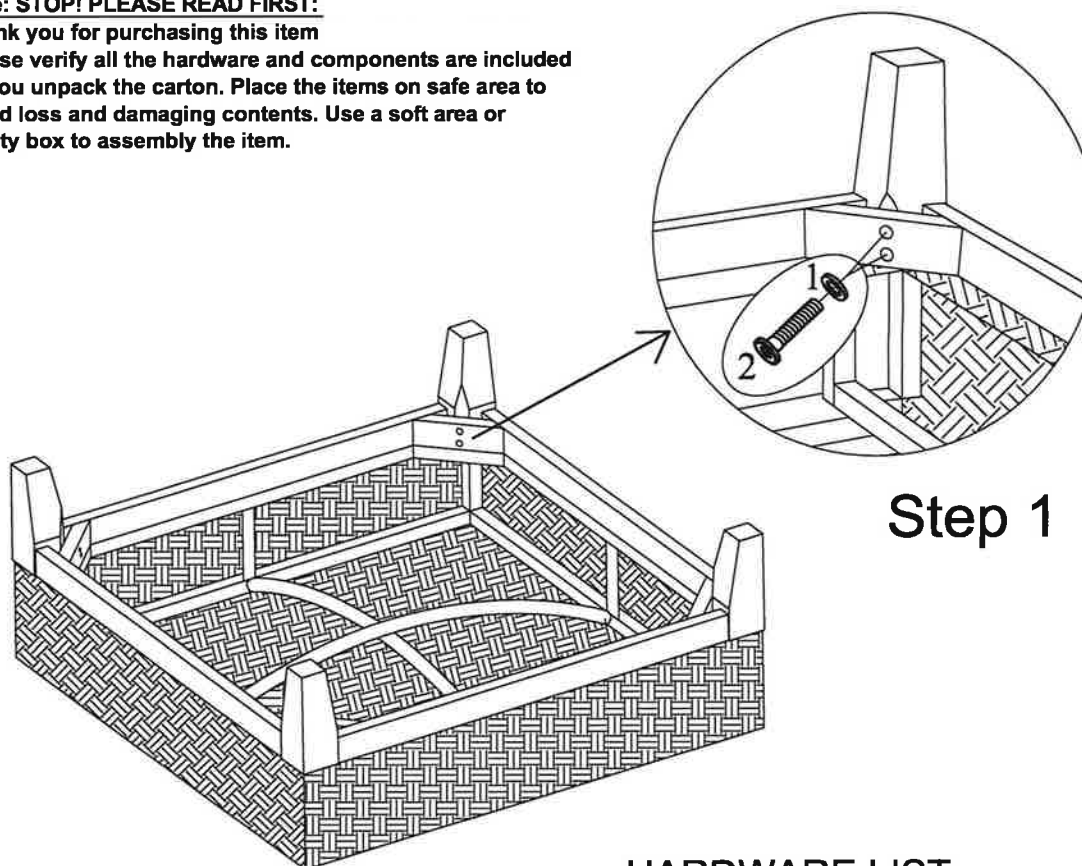


Leg x 4 pieces



Backrest x 2 pieces

**Note: STOP! PLEASE READ FIRST:**  
 Thank you for purchasing this item  
 Please verify all the hardware and components are included  
 as you unpack the carton. Place the items on safe area to  
 avoid loss and damaging contents. Use a soft area or  
 empty box to assembly the item.



Step 1

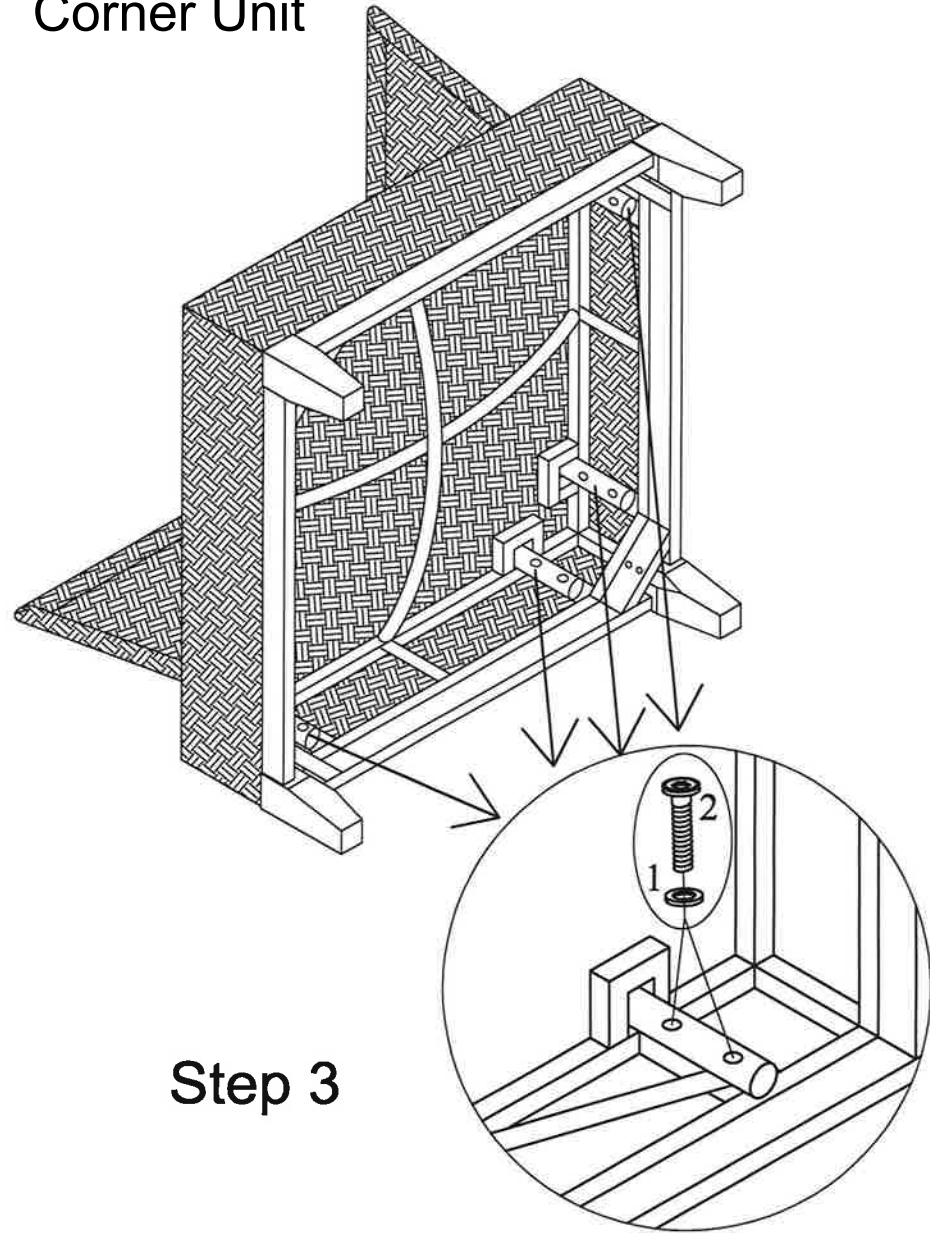
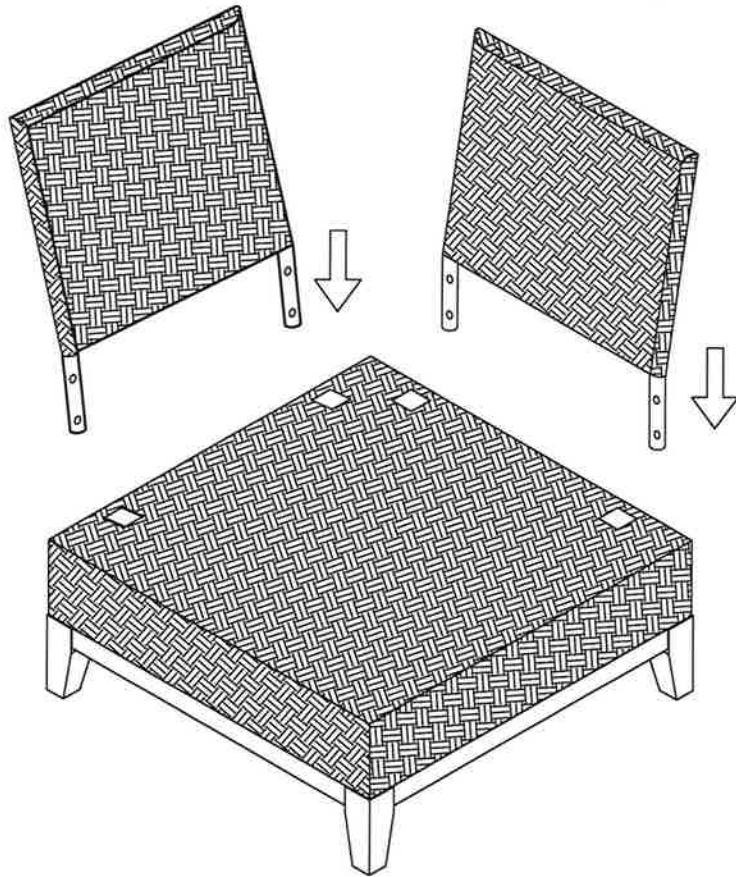
### HARDWARE LIST

1		16/6.5 x 2mm	16 pieces
2		6 x 45mm	16 pieces
3		Allen key	1 piece

# ASSEMBLY INSTRUCTIONS

## Corner Unit

Step 2



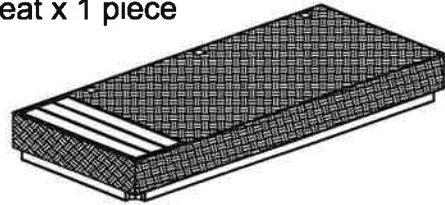
Step 3

# ASSEMBLY INSTRUCTIONS

## Sofa Bench

### PARTS LIST

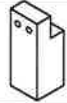
Seat x 1 piece



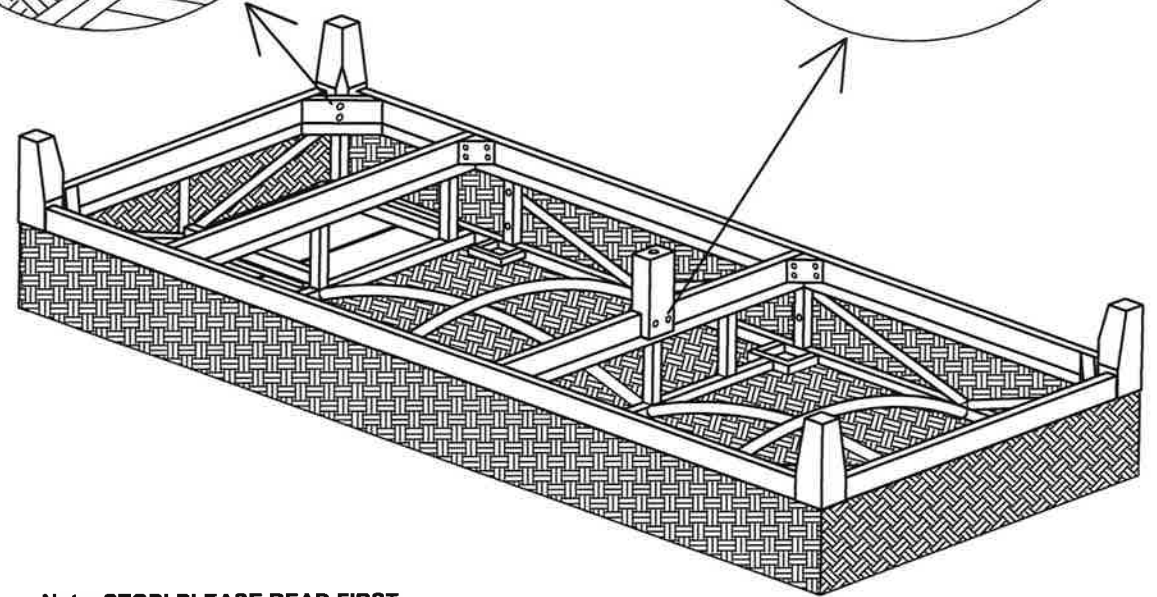
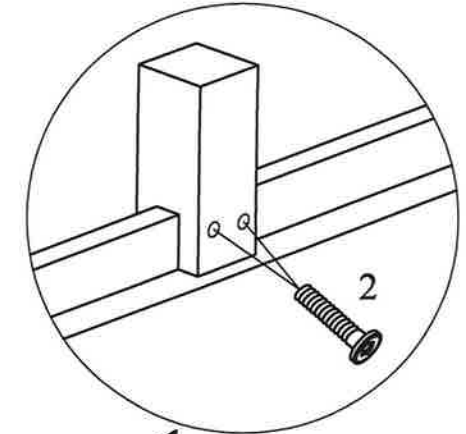
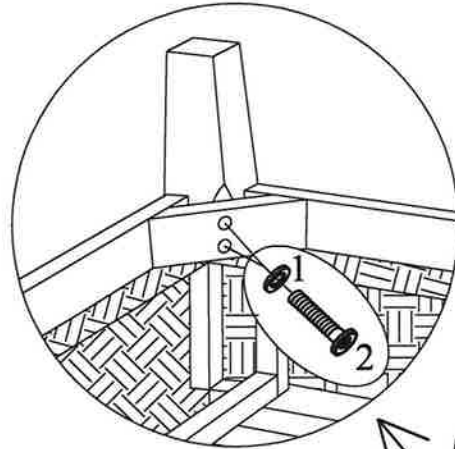
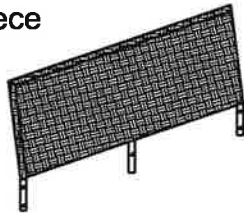
Leg x 4 pieces



Leg center x 1 piece



Backrest x 1 piece



### HARDWARE LIST

1		16/6.5 x 2mm	13 pieces
2		6 x 45mm	15 pieces
3		Allen key	1 piece

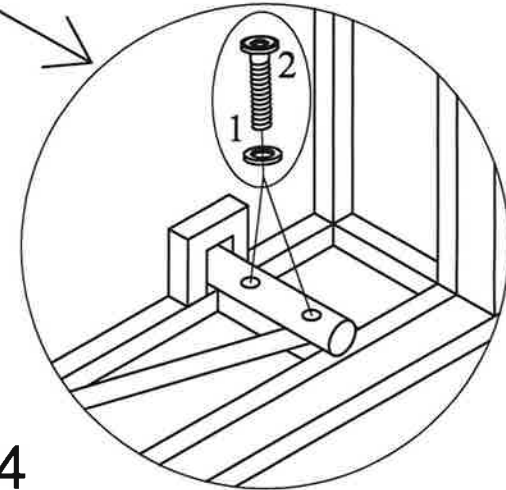
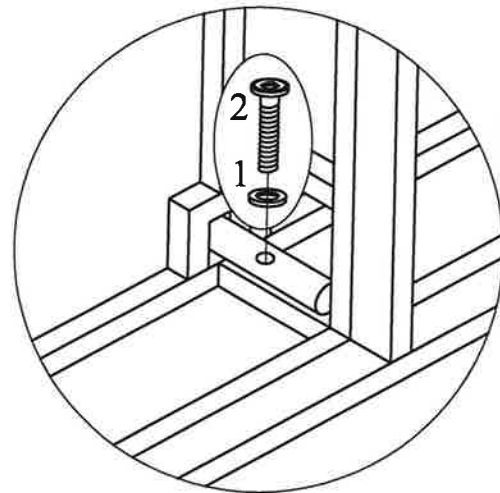
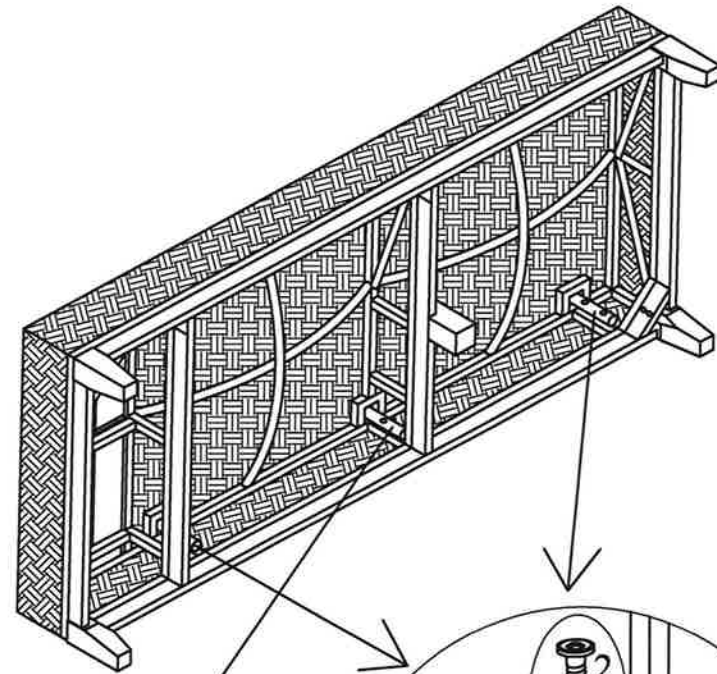
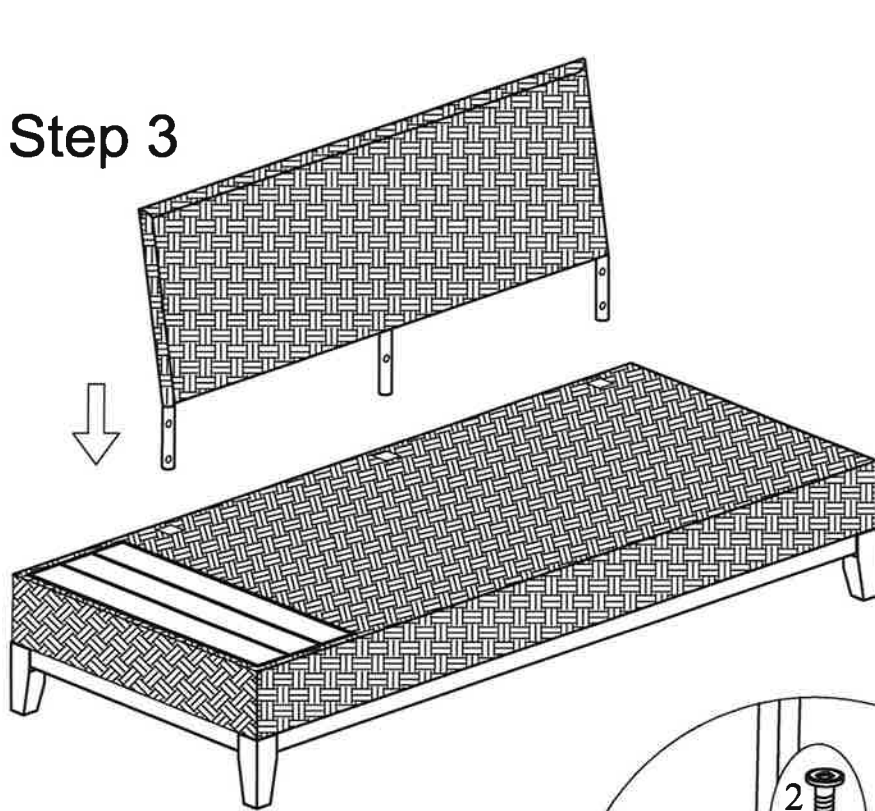
**Note: STOP! PLEASE READ FIRST:**

Thank you for purchasing this item!  
 Please verify all the hardware and components are included as you unpack the carton. Place the items on safe area to avoid loss and damaging contents. Use a soft area or empty box to assembly the item.

# ASSEMBLY INSTRUCTIONS

## Sofa Bench

Step 3

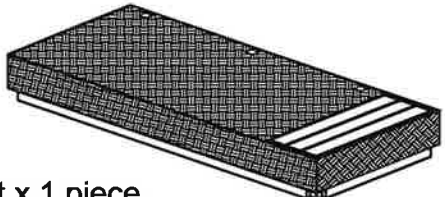


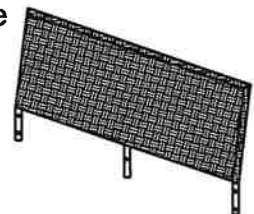


Step 4

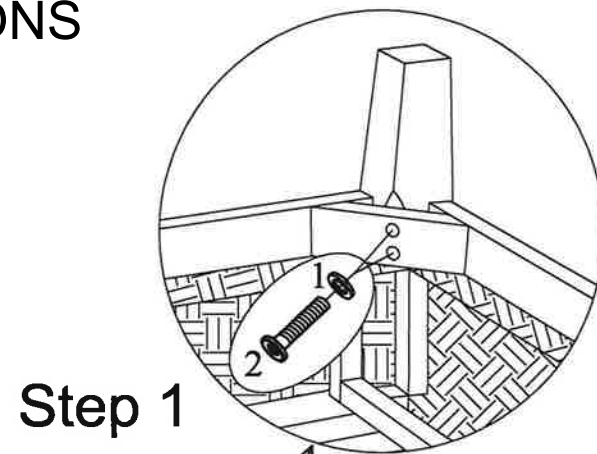
# ASSEMBLY INSTRUCTIONS

## Sofa Bench

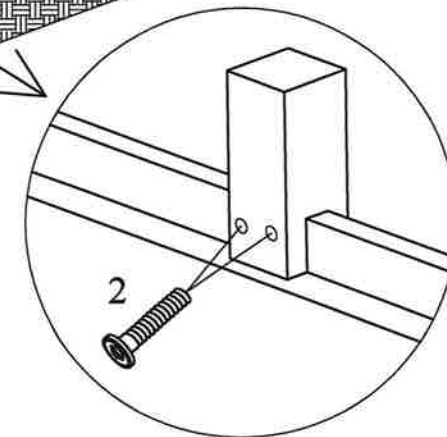
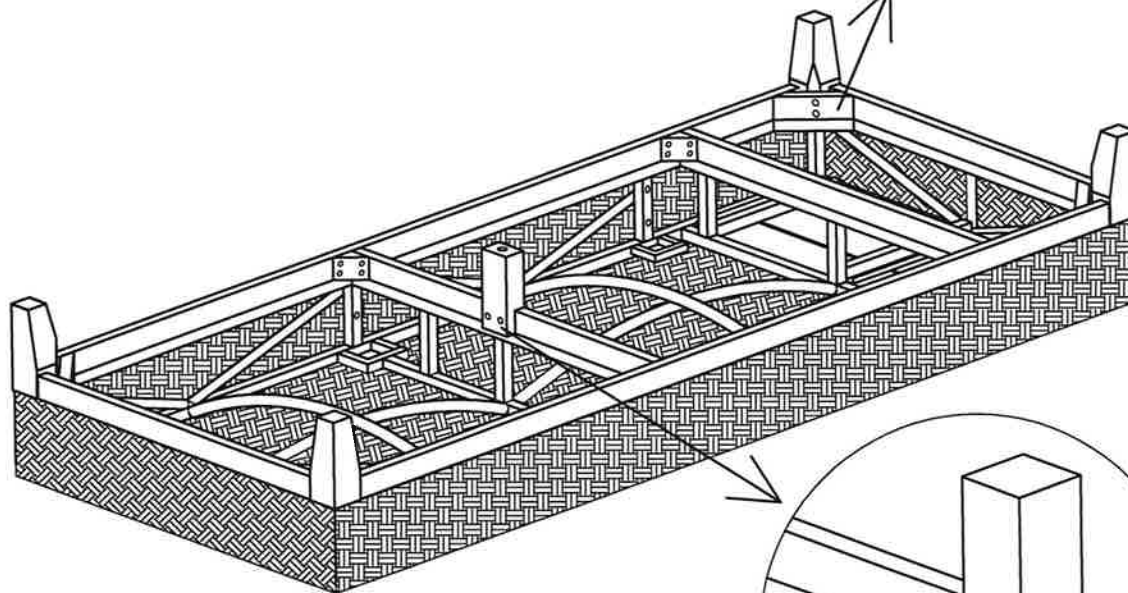
### PARTS LIST

 <p>Seat x 1 piece</p>
 <p>Leg x 4 pieces</p>
 <p>Leg center x 1 piece</p>
 <p>Backrest x 1 piece</p>

**Note: STOP! PLEASE READ FIRST:**  
 Thank you for purchasing this item  
 Please verify all the hardware and components are included  
 as you unpack the carton. Place the items on safe area to  
 avoid loss and damaging contents. Use a soft area or  
 empty box to assembly the item.


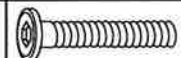



Step 1



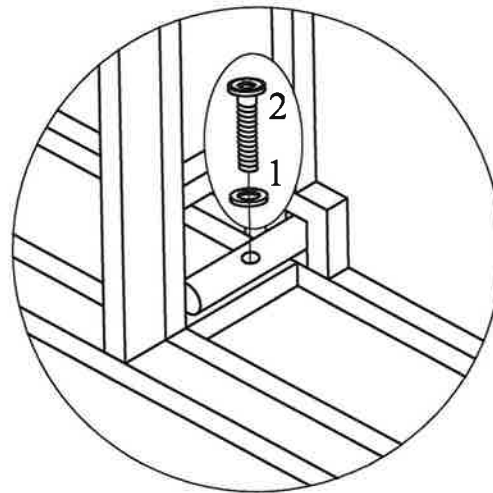
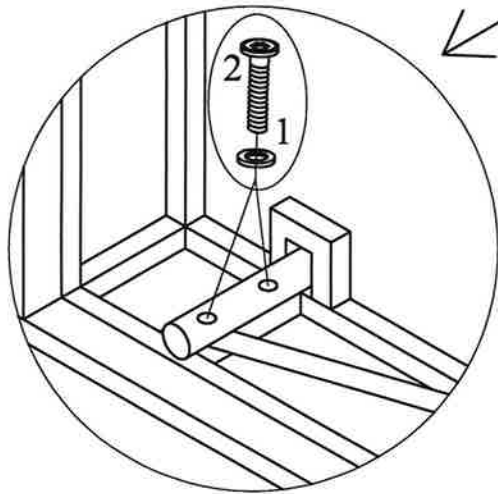
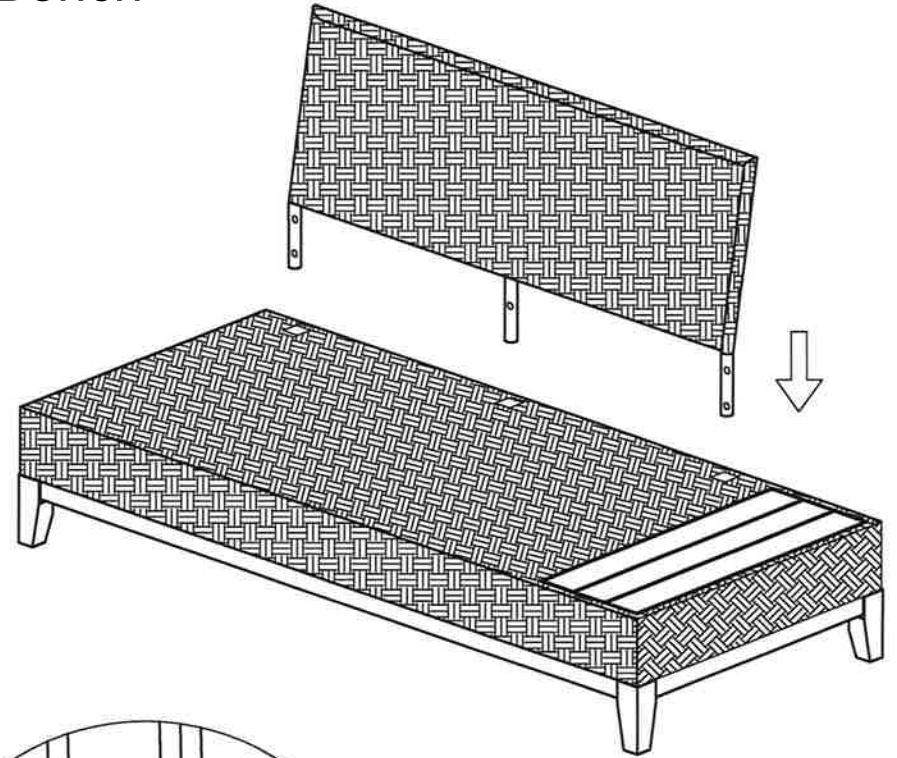
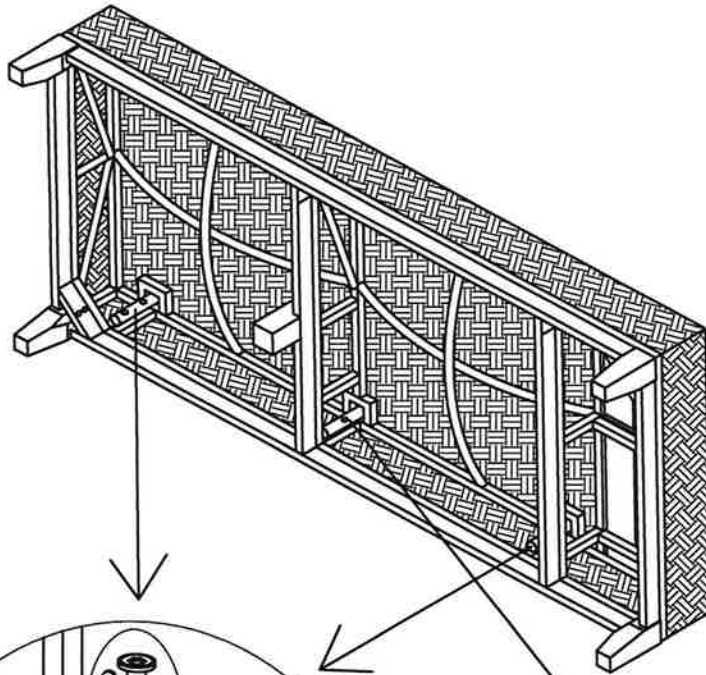
Step 2

### HARDWARE LIST

1		16/6.5 x 2mm	13 pieces
2		6 x 45mm	15 pieces
3		Allen key	1 piece

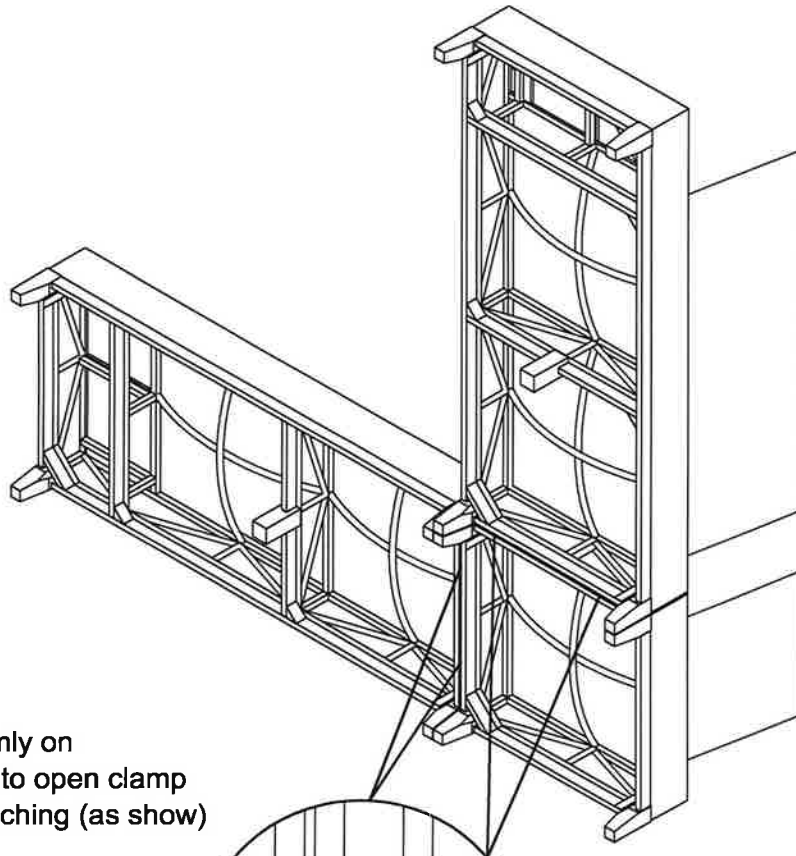
# ASSEMBLY INSTRUCTIONS

## Sofa Bench

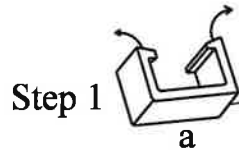


# ASSEMBLY INSTRUCTIONS

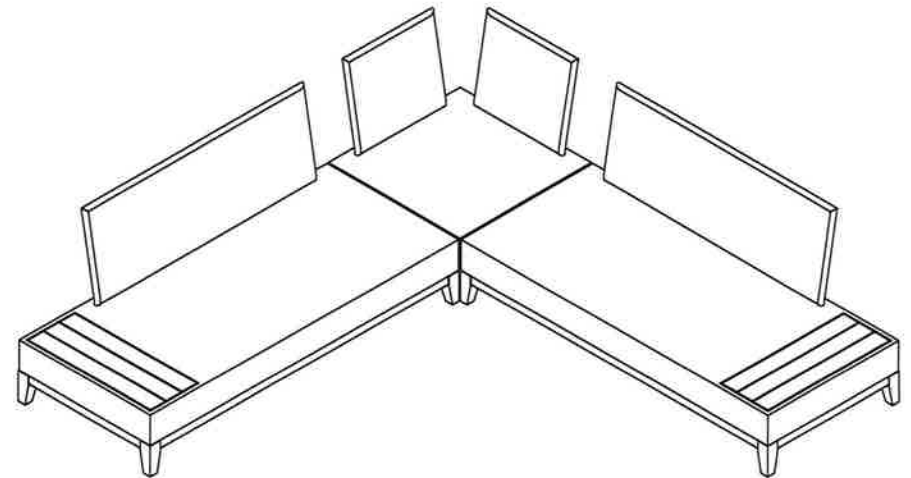
## 4pc Contemporary Sectional Sofa



Spread firmly on both sides to open clamp before attaching (as show)

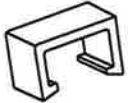


a



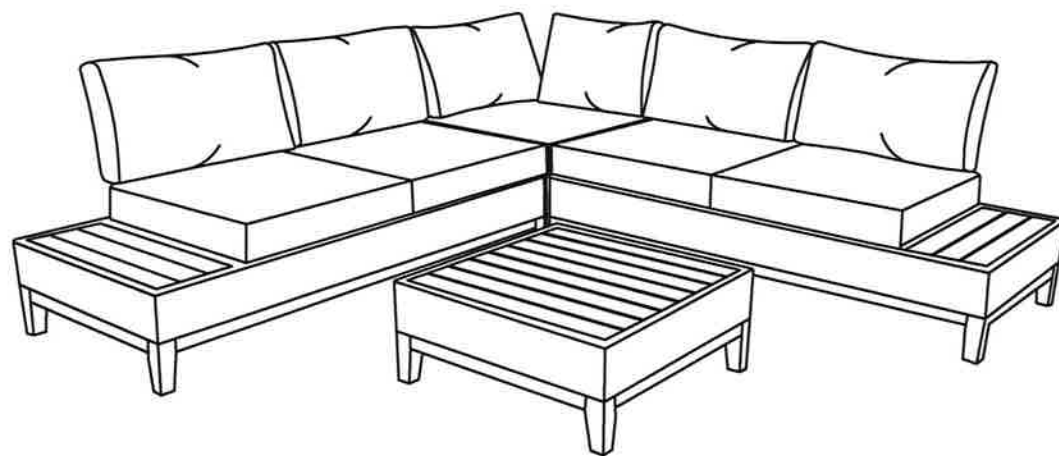
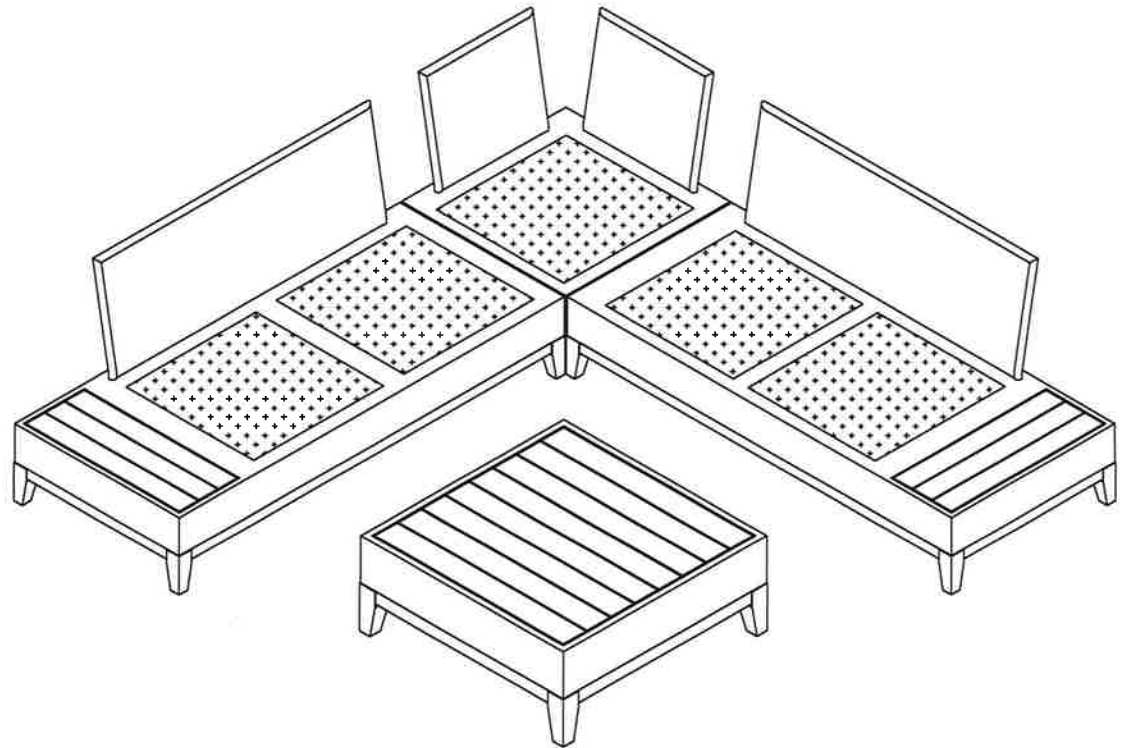
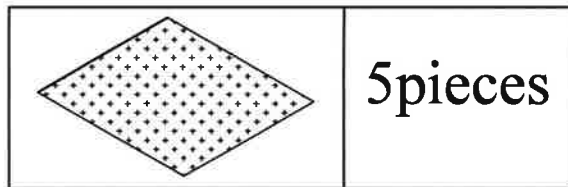
Assembly note: (2 people)

On soft surface please lift both chaise sofa units on their backs to attach both connectors

a		4pieces
---	---	---------

May need to gently widen woven wicker to insert clamps fully under both units.

Anti-slip Seat Cushion Pad



Note: Please use these anti-slip seat cushion pads to keep the cushions in place while in use.