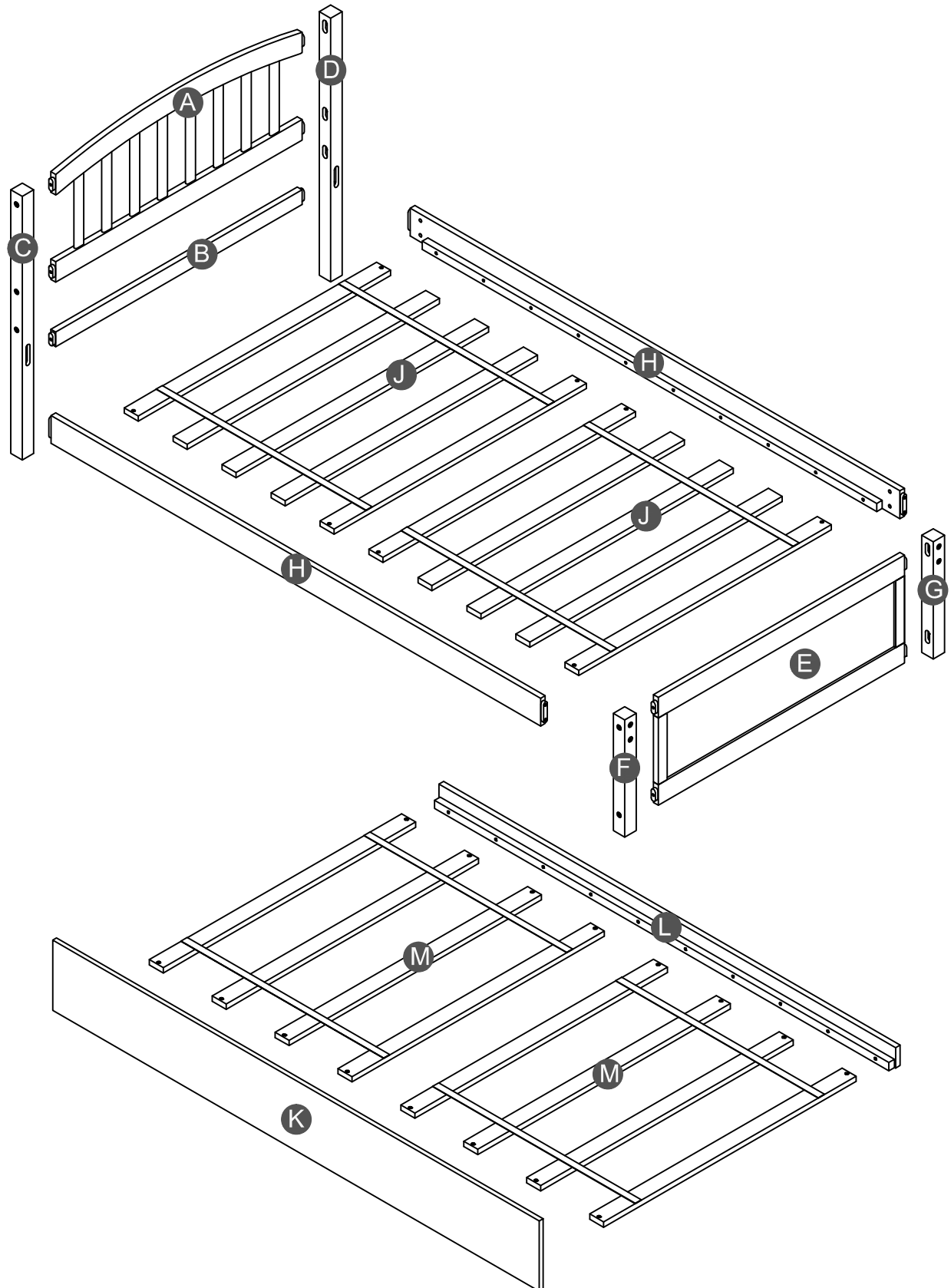


ASSEMBLY INSTRUCTIONS

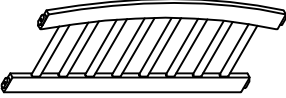
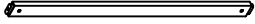

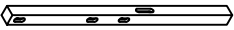
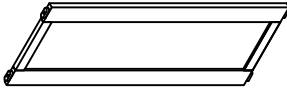
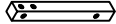
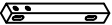

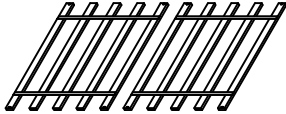
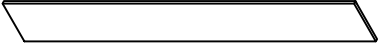

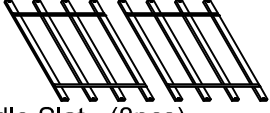
BED WITH TRUNDLE



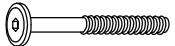
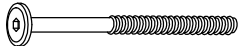




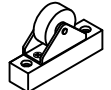
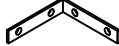
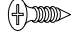
Detail View



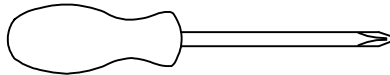
Part List

| | | |
|---|--|---|
| <p>A</p>  <p>Headboard - 1pc</p> | <p>B</p>  <p>Horizontal bar - 1pc</p> | <p>C</p>  <p>Leg headboard(Left) - 1pc</p> |
| <p>D</p>  <p>Leg headboard(Right) - 1pc</p> | <p>E</p>  <p>Footboard - 1pc</p> | <p>F</p>  <p>Leg footboard(Right) - 1pc</p> |
| <p>G</p>  <p>Leg footboard(Left) - 1pc</p> | <p>H</p>  <p>Side rail - 2pcs</p> | <p>J</p>  <p>Slat - (10pcs)</p> |
| <p>K</p>  <p>Front panel of trundle - 1pc</p> | <p>L</p>  <p>Back panel side rail of trundle - 1pc</p> | <p>M</p>  <p>Trundle Slat - (8pcs)</p> |

Hardware List

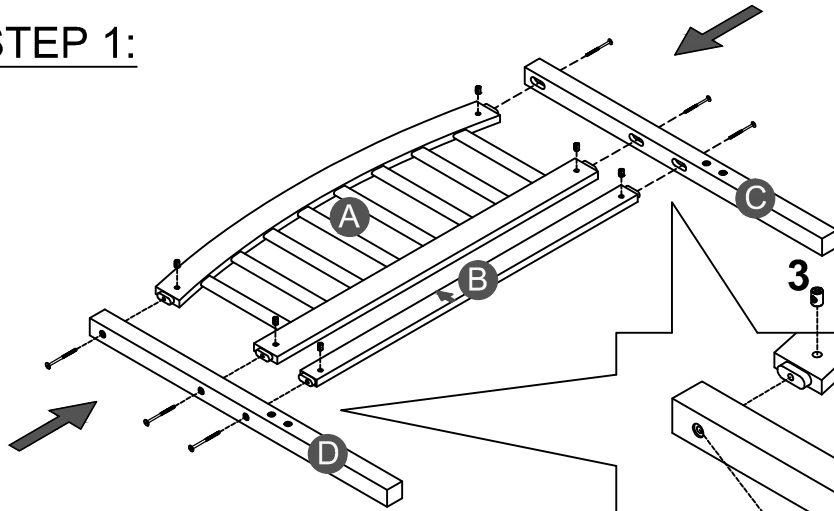
| | | |
|---|---|--|
| 1  (Ø15)1/4"*80mm Hex-Head bolts (10pcs) | 2  (Ø15)1/4"*100mm Hex-Head bolts (8pcs) | 3  1/4"*15 (9.5mm) Horizontal-Hole bolts(18pcs) |
| 4  (1/4")4.5*58mm Allen key (1pc) | 5  Ø4*30mm Wood screws (32pcs) | 6  40*18*18*2mm Metal bracket (2pcs) |
| 7  100*63*20mm Wheels (4pcs) | 8  95*95*18*3mm Metal bracket (2pcs) | 9  Ø3.5*15mm Wood screws (16pcs) |

ASSEMBLY TOOLS REQUIRED (NOT INCLUDED)

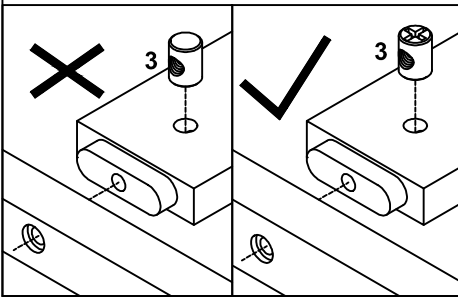
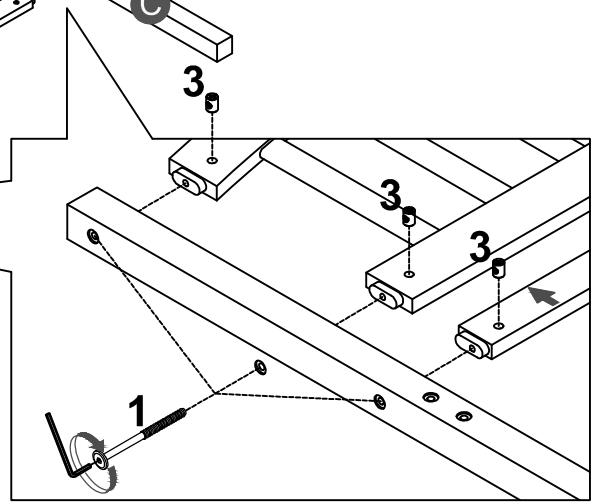


PLEASE BE CAREFUL DO NOT DAMAGE THE HOLE POSITION WHEN YOU USE POWER TOOLS !

STEP 1:

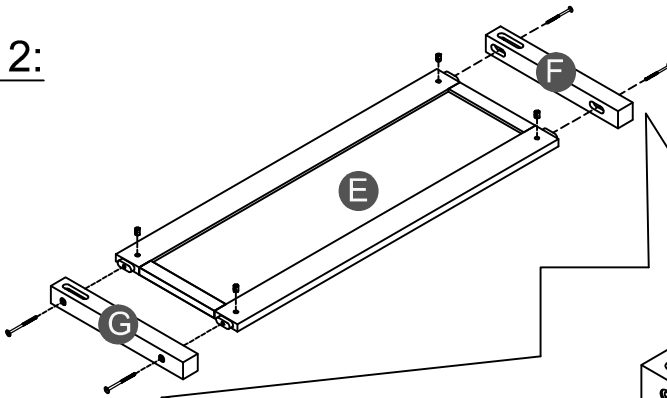


| | | | |
|-------------|--|-------------|--|
| 1 | | 3 | |
| 6PCS | | 6PCS | |

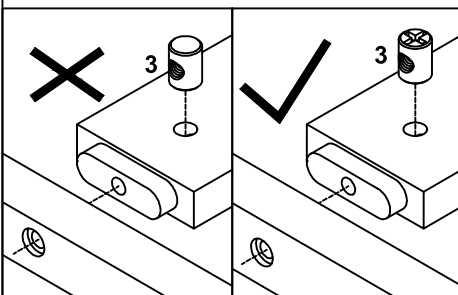
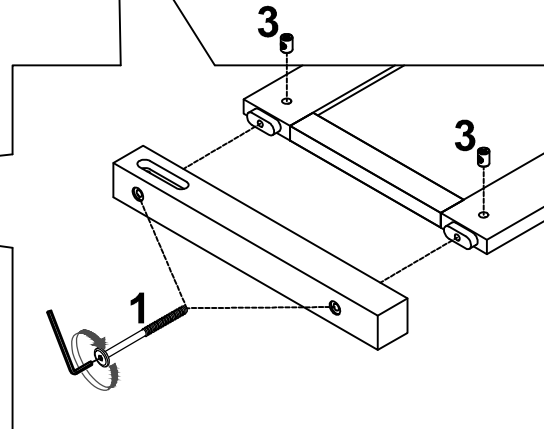


Note: Part 3 will face up with the "x" mark on it, otherwise it cannot be tightened

STEP 2:





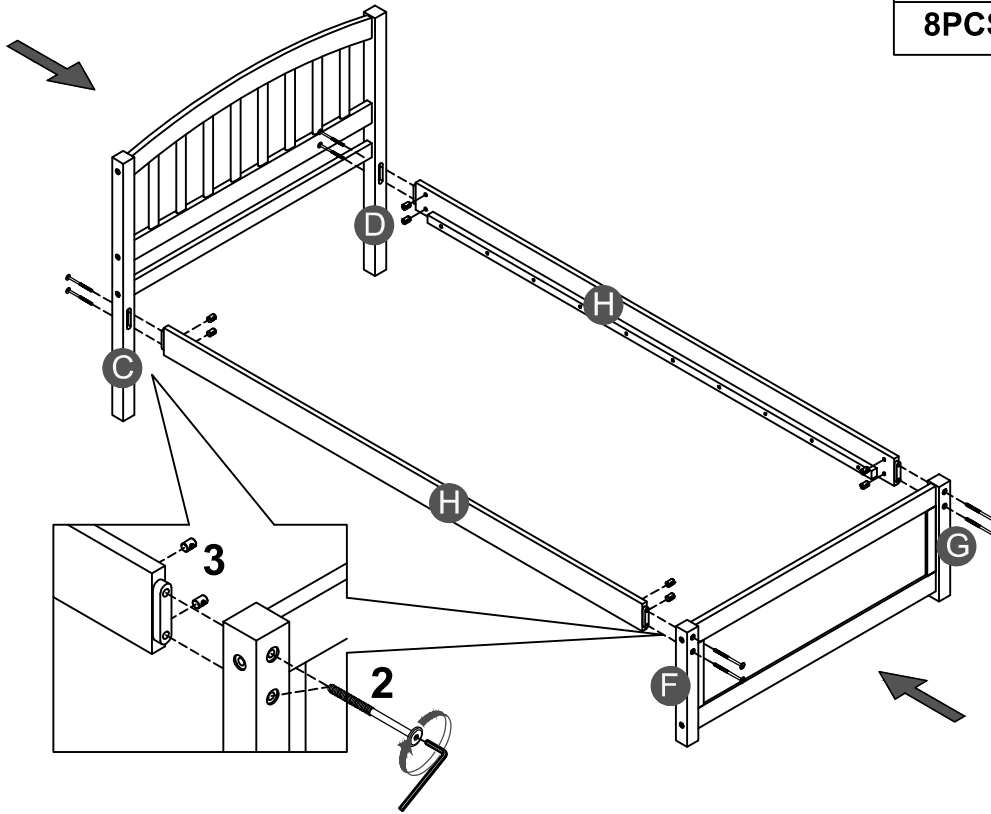
| | | | |
|-------------|--|-------------|--|
| 1 | | 3 | |
| 4PCS | | 4PCS | |




Note: Part 3 will face up with the "x" mark on it, otherwise it cannot be tightened

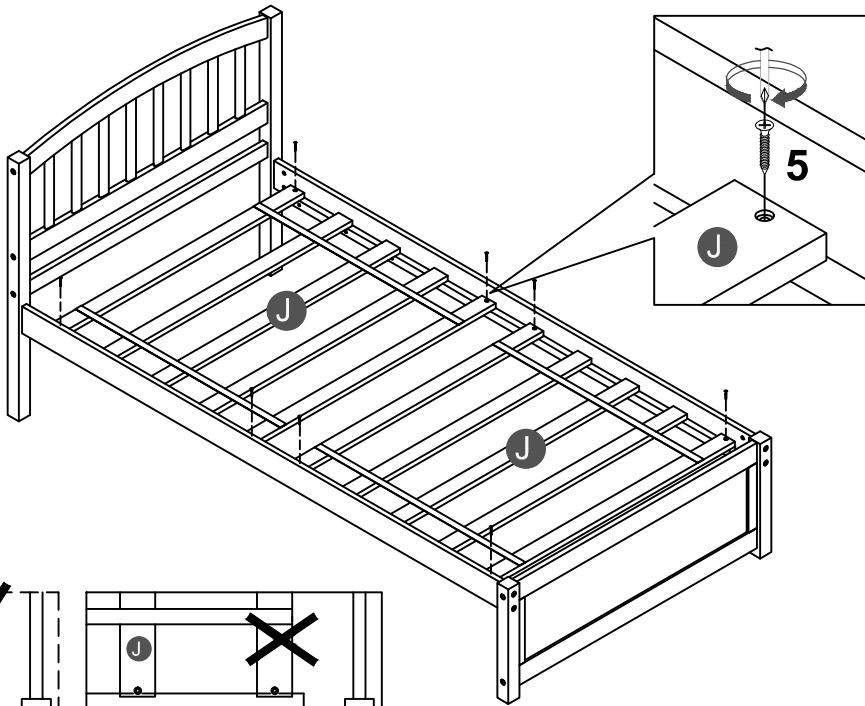
STEP 3:

| | | | |
|-------------|---|-------------|---|
| 2 |  | 3 |  |
| 8PCS | | 8PCS | |



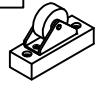

STEP 4:

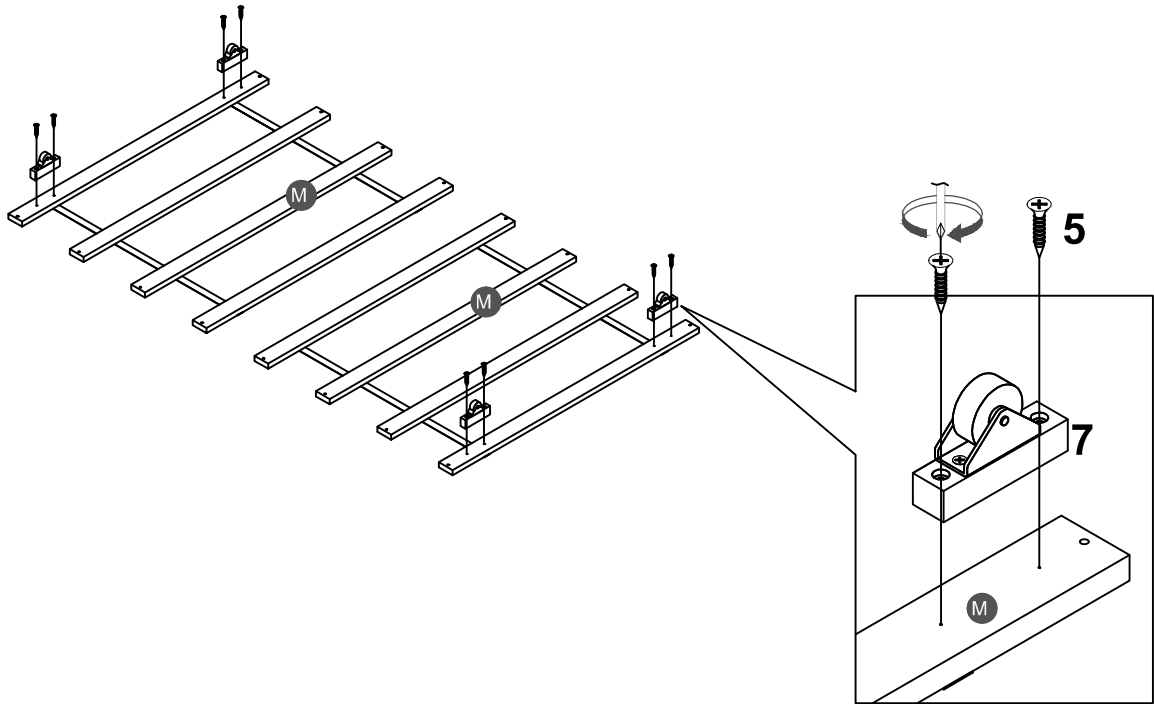
| | |
|-------------|---|
| 5 |  |
| 8PCS | |




Note: Do not lock the screws of the bed slats to the outermost edge of the bed slats, you need to leave a certain space at the edges, otherwise it will cause the board to break

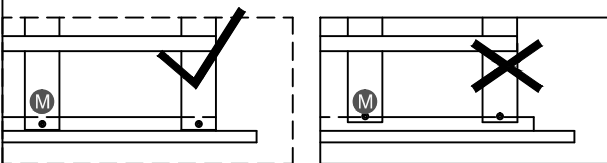
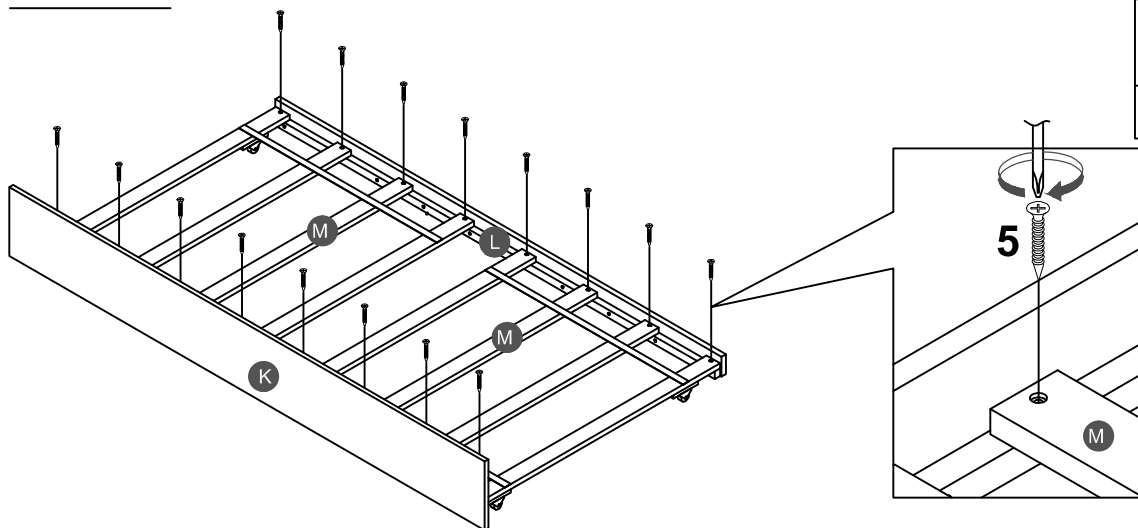
STEP 5:

| | |
|---|---|
| 7 | 5 |
|  |  |
| 4PCS | 8PCS |





STEP 6:

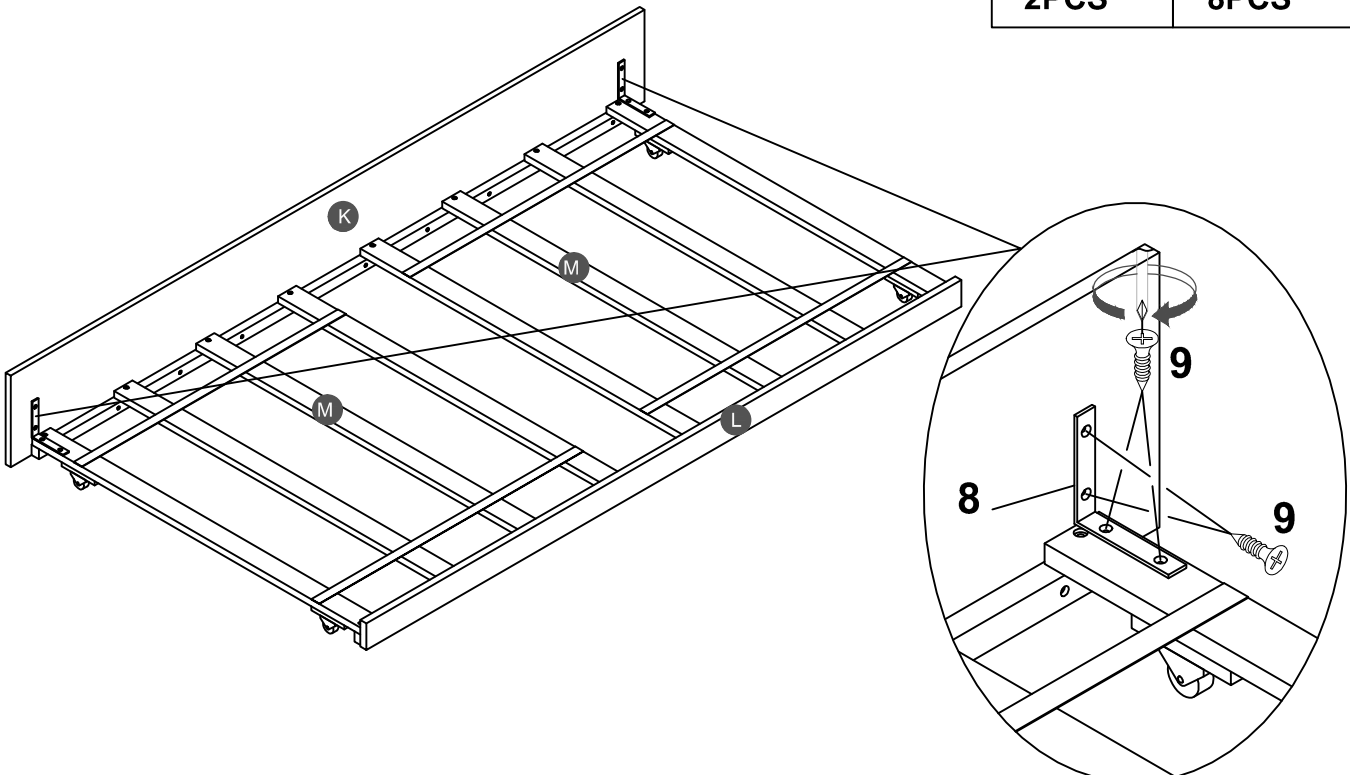
| |
|---|
| 5 |
|  |
| 16PCS |



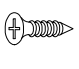
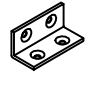
Note: Do not lock the screws of the bed slats to the outermost edge of the bed slats, you need to leave a certain space at the edges, otherwise it will cause the board to break

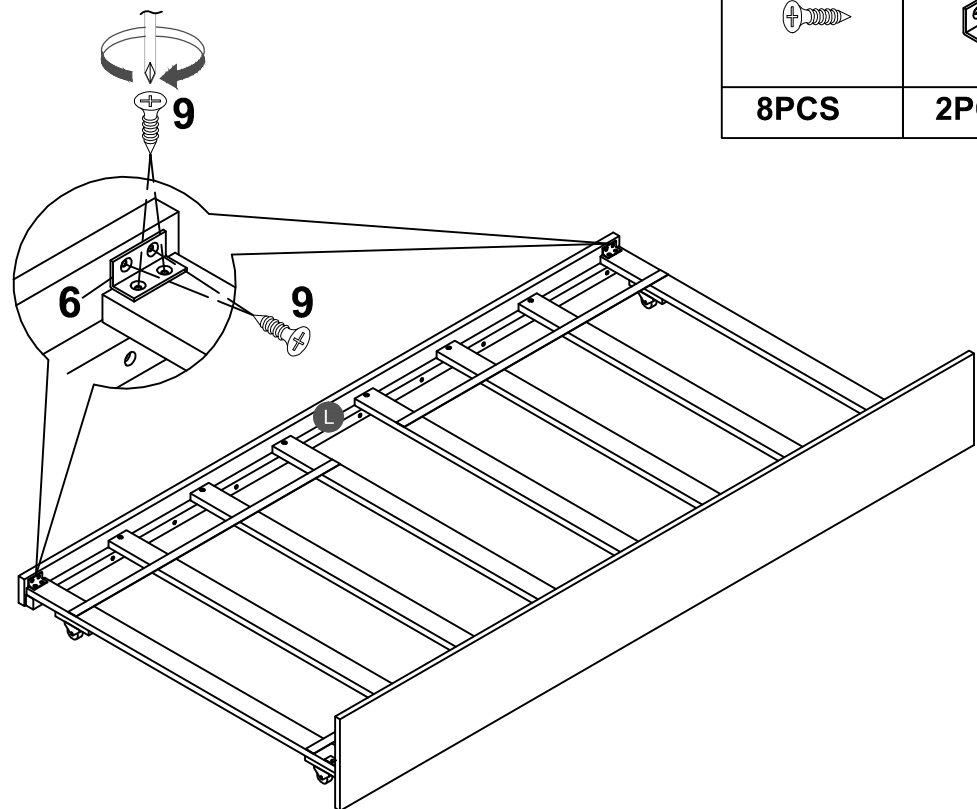
STEP 7:

| | |
|---|---|
| 8 | 9 |
|  |  |
| 2PCS | 8PCS |

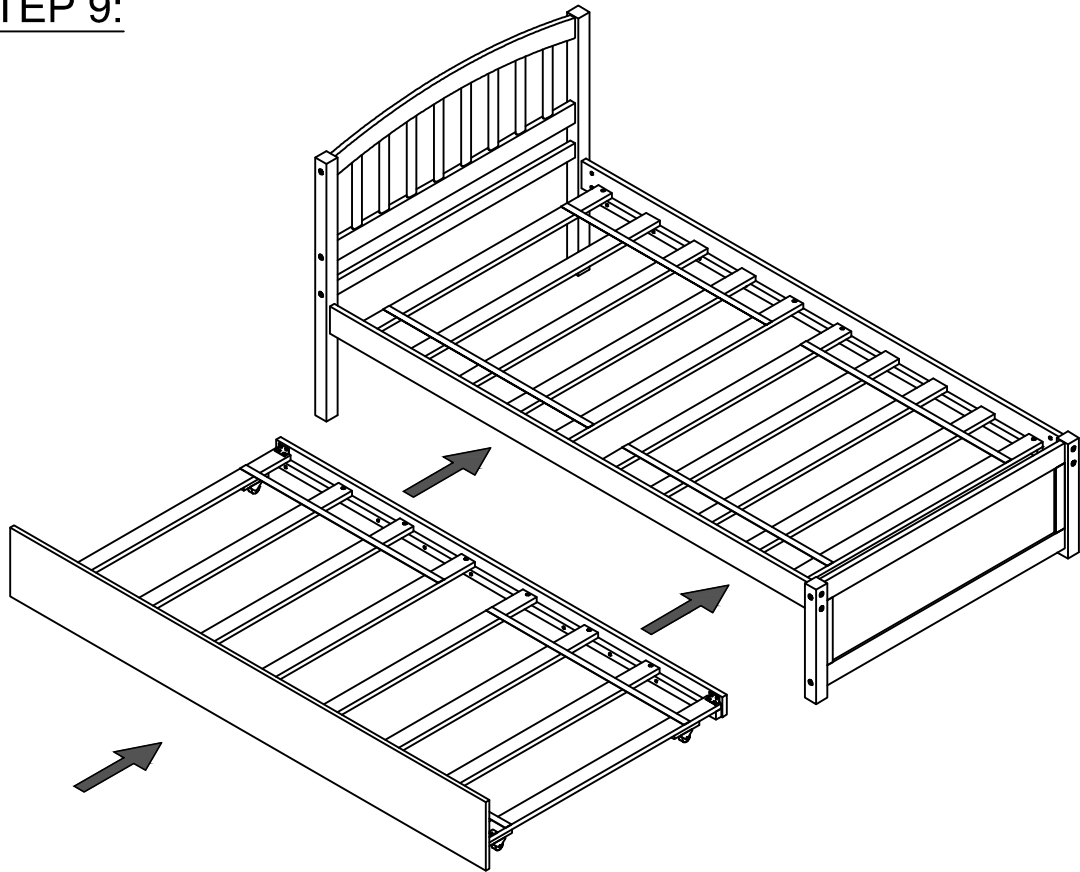


STEP 8:

| | |
|---|---|
| 9 | 6 |
|  |  |
| 8PCS | 2PCS |



STEP 9:



Push Trundle under the bottom of Twin Bed.

