

1-Light Dome Pendant Light

Caution: Please turn off power before installation and read the manual carefully, we advise you contact professional electricians to install for safety purpose.

Product Features

Style: Modern/Contemporary/Farmhouse/Industrial

Material: Metal

Color: Copper

Base Type: E26-base

Light Source Included: No

Voltage: 110VAC

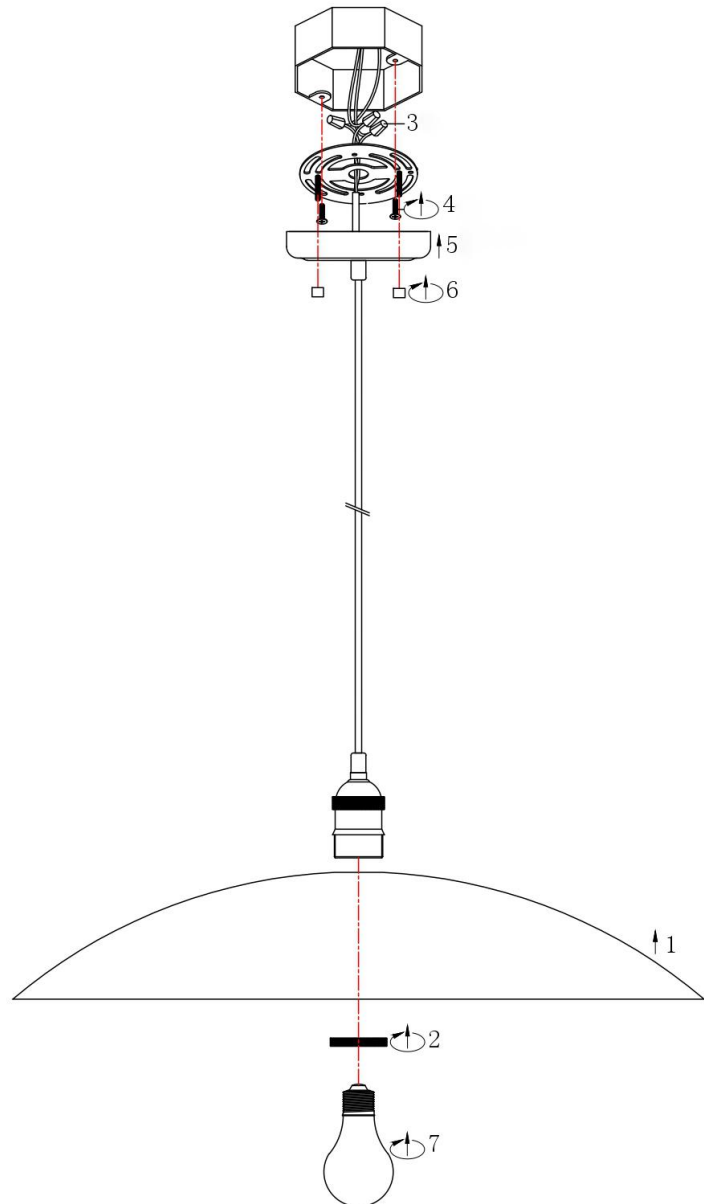
Wattage: 60W

Package includes

1 x Pendant Light

1 x Accessory Pack

1 x User's Manual



Installation Instructions

- 1-2. Place the center hole of the lampshade into the lamp holder, then tighten the lamp holder ring to secure it.
3. Connect the fixture wires to the ceiling wires using wire caps. Ensure that the neutral (white/blue), live (black/brown), and earth/ground wires are matched correctly.
4. Fix the mounting plate to the junction box with screws.
- 5-6. Cover the canopy over the mounting plate, then tighten the cap nuts to secure the canopy.
7. Install the bulbs (bulbs not included).

Note: Please use this product accordingly to its intended purpose, do not retrofit or remodeling the product. The warranty does not cover if the failure is caused by the third party product, or natural disasters.