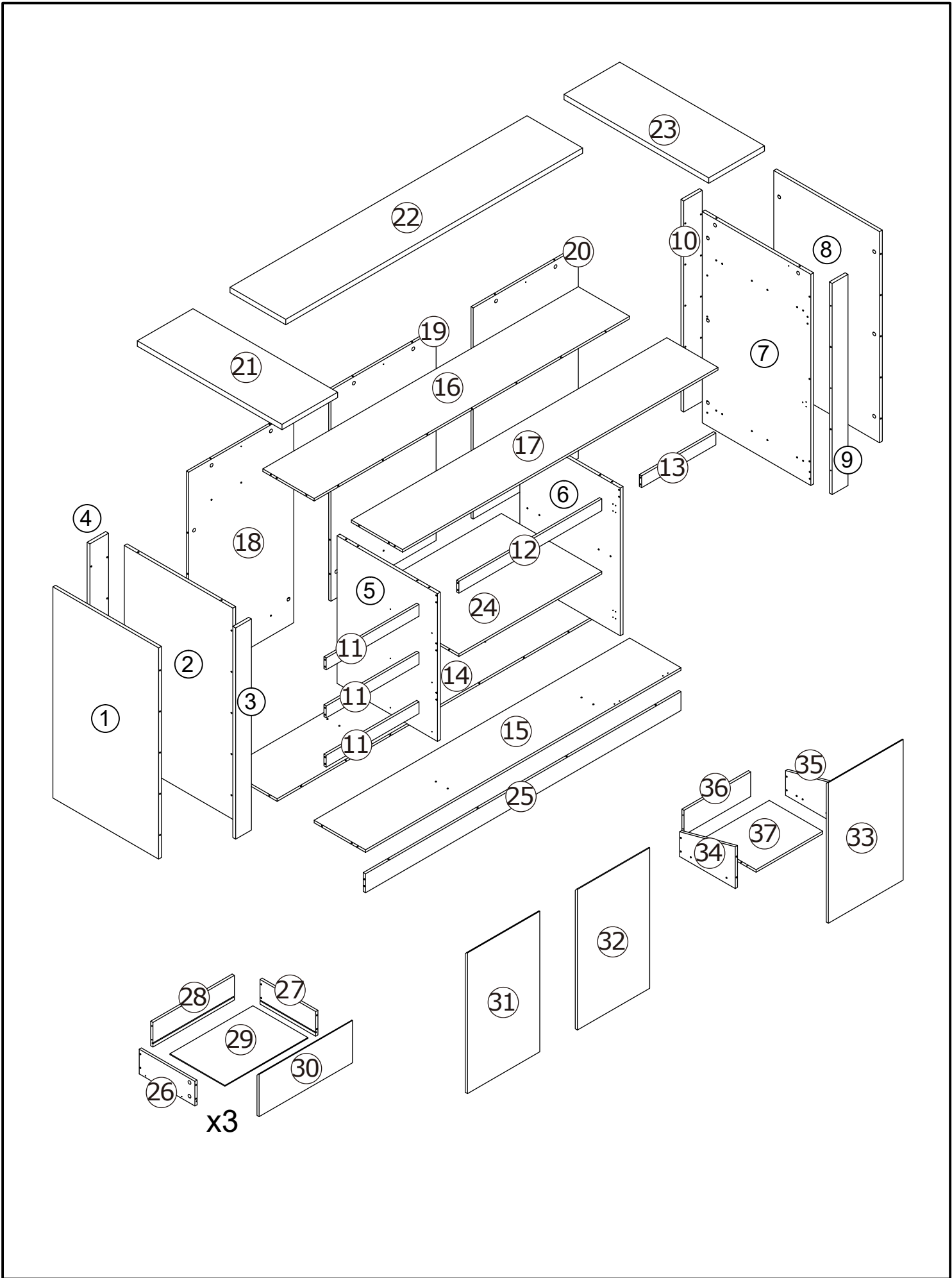
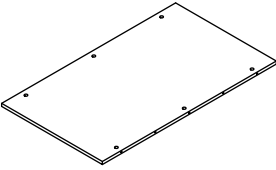
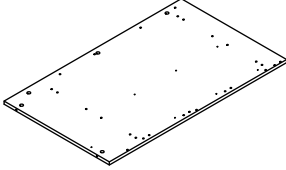
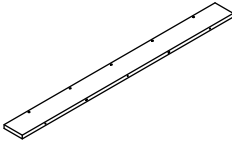
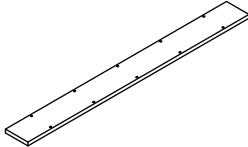
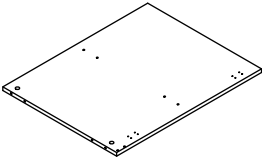
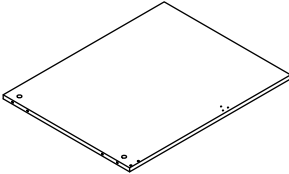
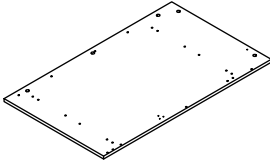
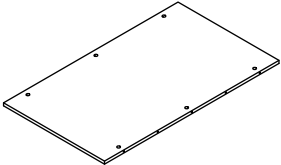
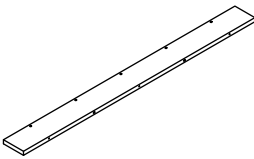
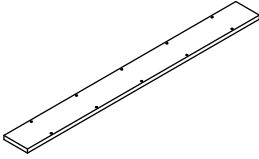
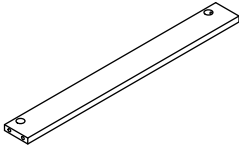
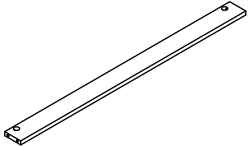
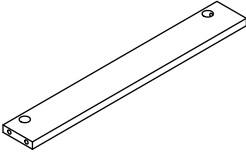
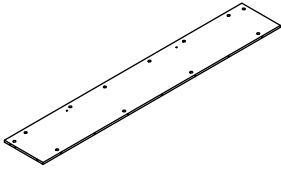
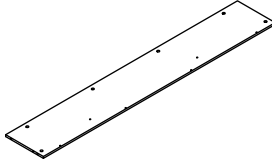
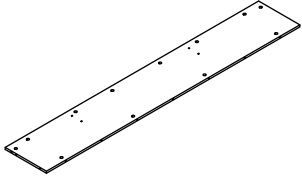
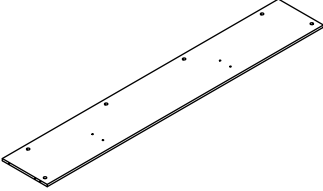
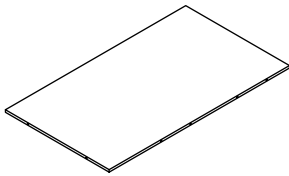
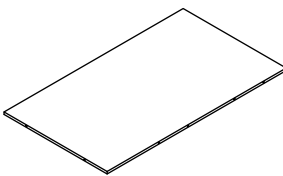
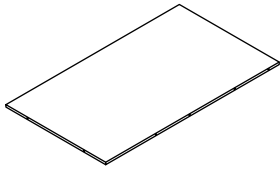
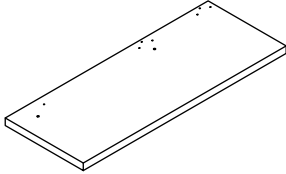
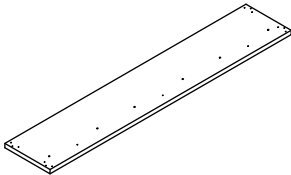
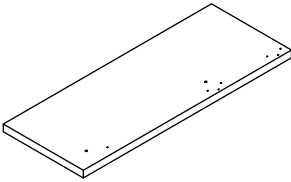
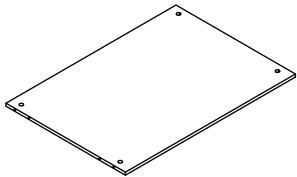


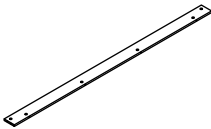
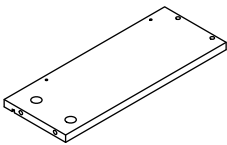
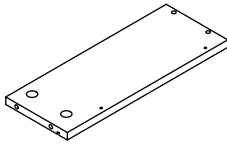
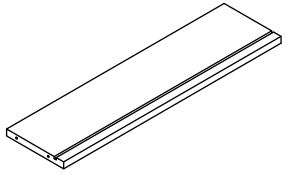
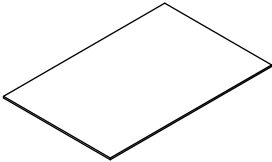
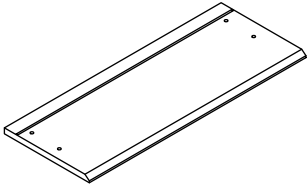
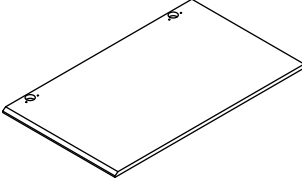
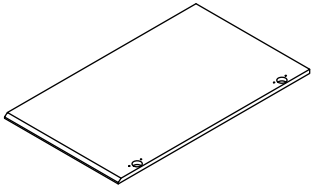
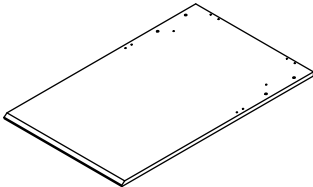
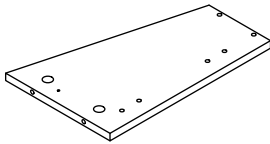
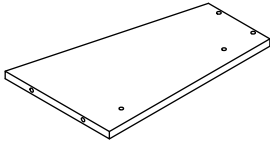
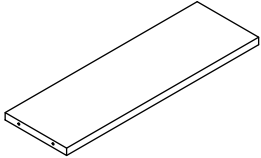
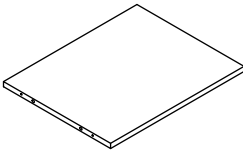
Installation instruction



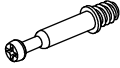

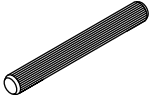
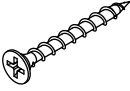
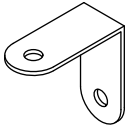

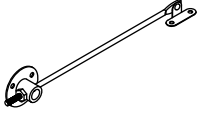
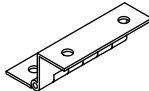
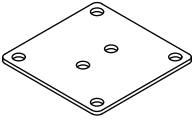
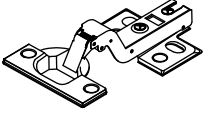


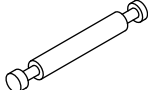
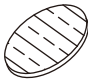


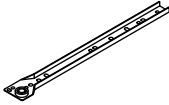
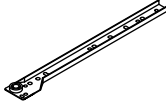
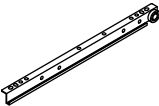
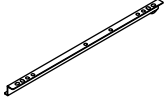
Parts and Operation Elements

			
① 1pc	② 2pc	③ 1pc	④ 1pc
			
⑤ 1pc	⑥ 1pc	⑦ 1pcs	⑧ 1pc
			
⑨ 1pc	⑩ 1pc	⑪ 3pc	⑫ 1pc
			
⑬ 1pc	⑭ 1pc	⑮ 1pcs	⑯ 1pc
			
⑰ 1pc	⑱ 1pc	⑲ 1pc	⑳ 1pc
			
㉑ 1pc	㉒ 1pc	㉓ 1pcs	㉔ 1pc

Parts and Operation Elements

			
②⑤ 1pc	②⑥ 3pc	②⑦ 3pc	②⑧ 3pc
			
③⑨ 3pc	③⑩ 3pc	③⑪ 1pcs	③⑫ 1pc
			
③⑬ 1pc	③⑭ 1pc	③⑮ 1pc	③⑯ 1pc
			
③⑰ 1pc			

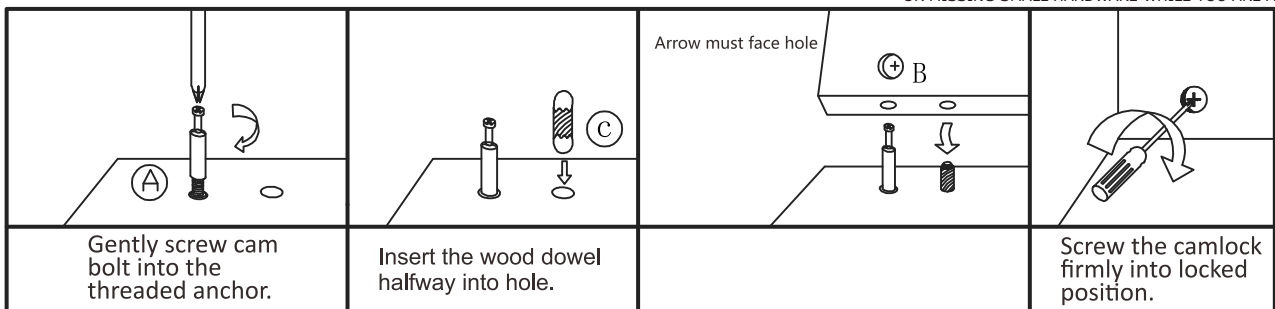
Hardware

 Cam bolt		 Cam Lock		 6x50mm Wood dowel		 4x35mm screw			
A	92pcs	B	116pcs	C	2pcs	D	30pcs	E	7pcs
 3x12mm screw									
F	56pcs	G	2pcs	H	2pcs	J	4pcs	K	4pcs
 6x30mm Wood dowel		 4x14mm screw						 6x40mm Wood dowel	
L	66pcs	M	24pcs	N	12pcs	P	10pcs	Q	10pcs
 3.5x12mm screw									
R	24pcs	CL	3pcs	CR	3pcs	DL	3pcs	DR	3pcs

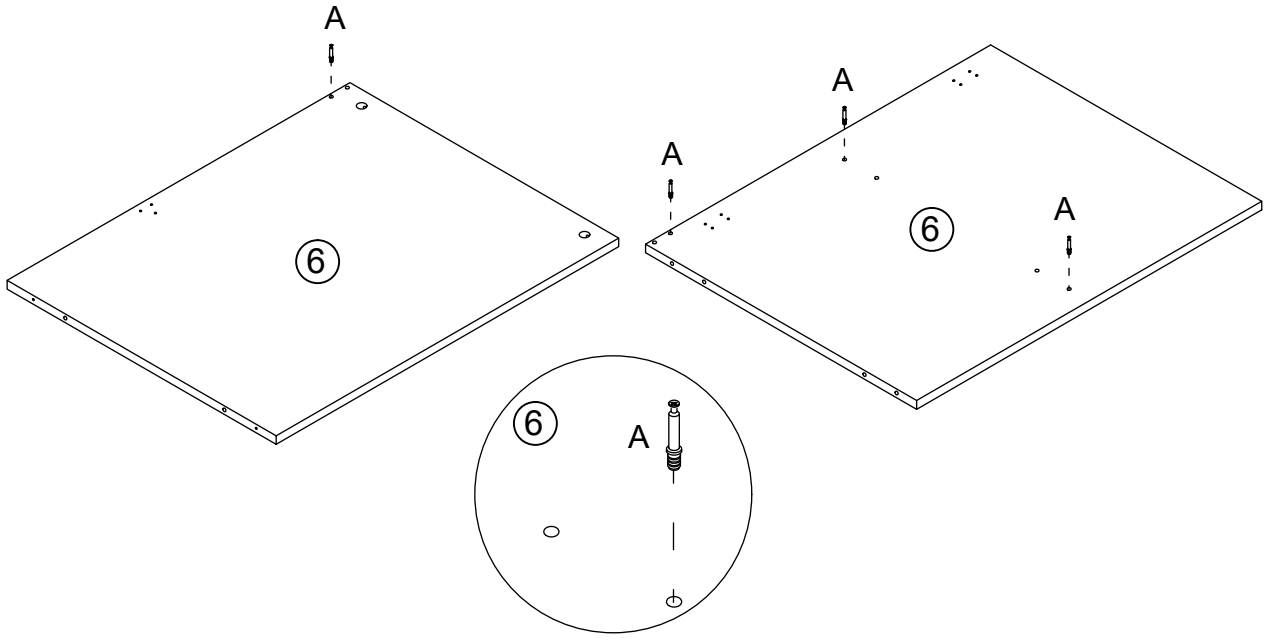
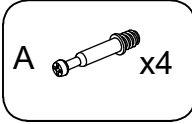


SPARE BAG

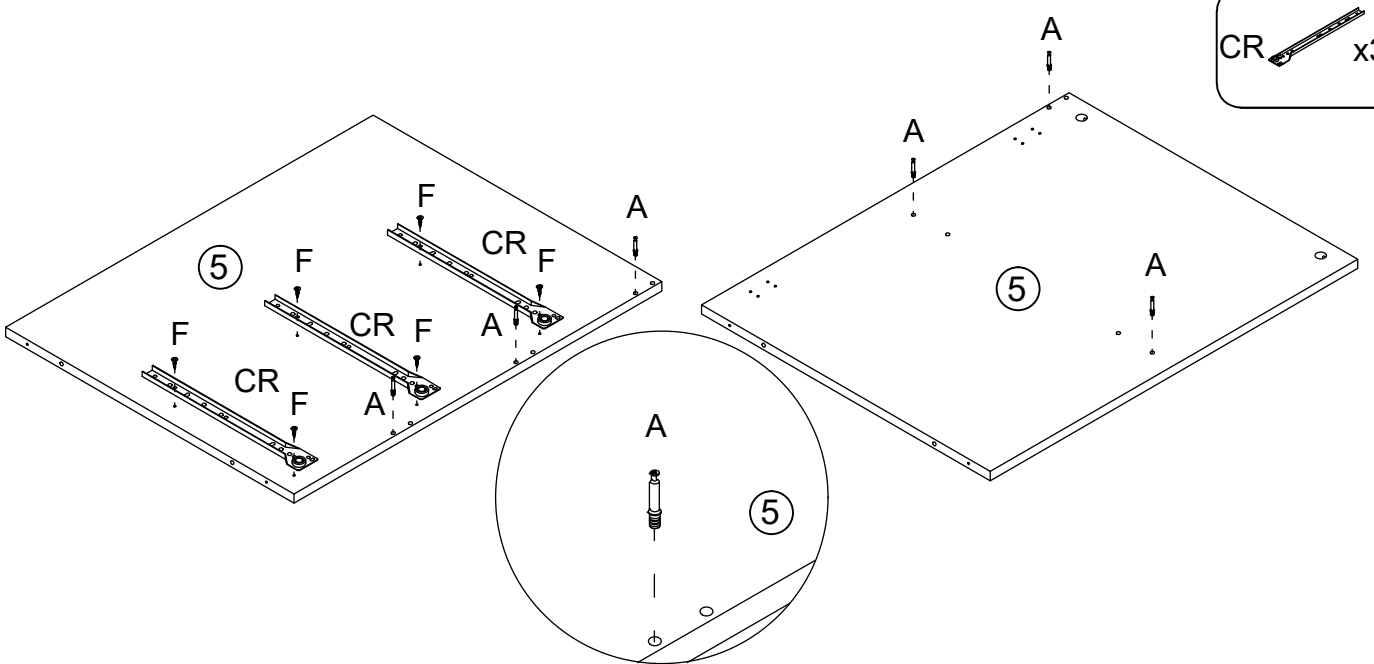
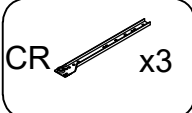
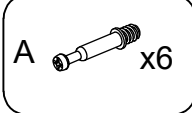
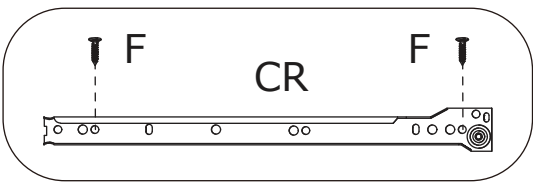
THE SPARE BAG INCLUDED EXTRA HARDWARE FOR DAMAGED OR MISSING SMALL HARDWARE WHILE YOU ARE ASSEMBLING



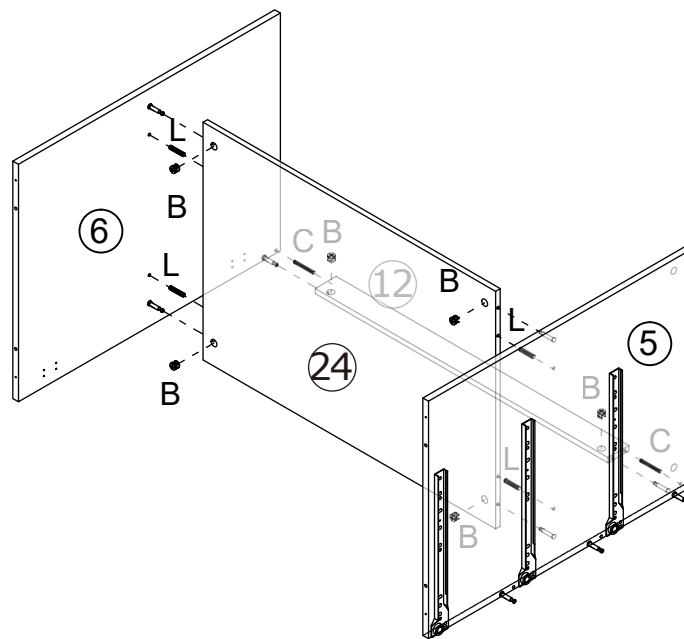
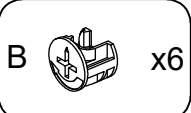
1



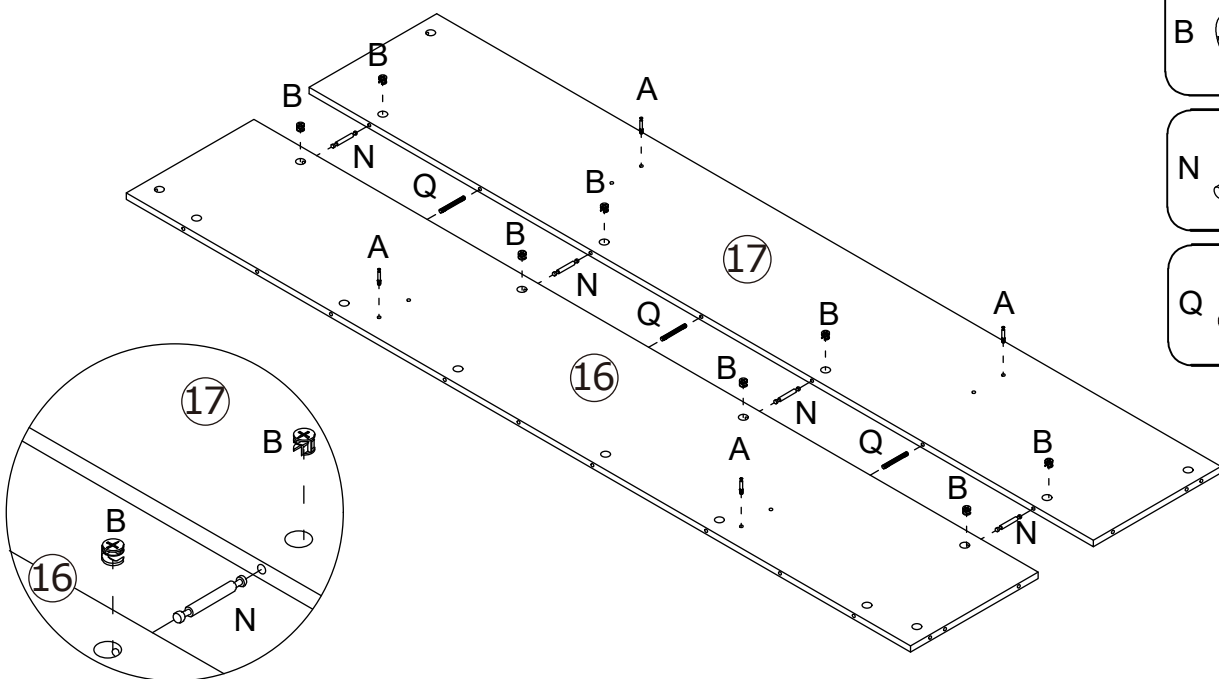
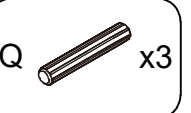
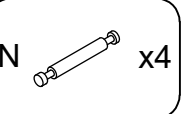
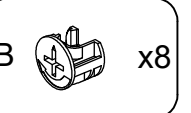
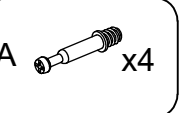
2



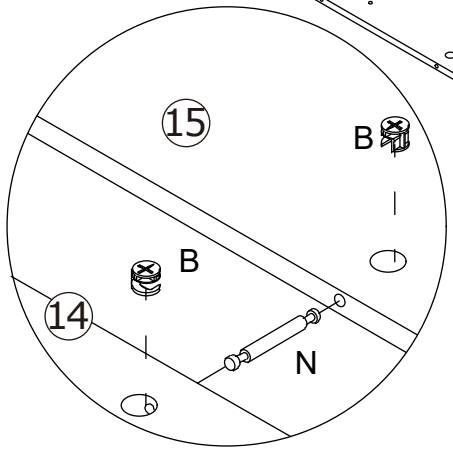
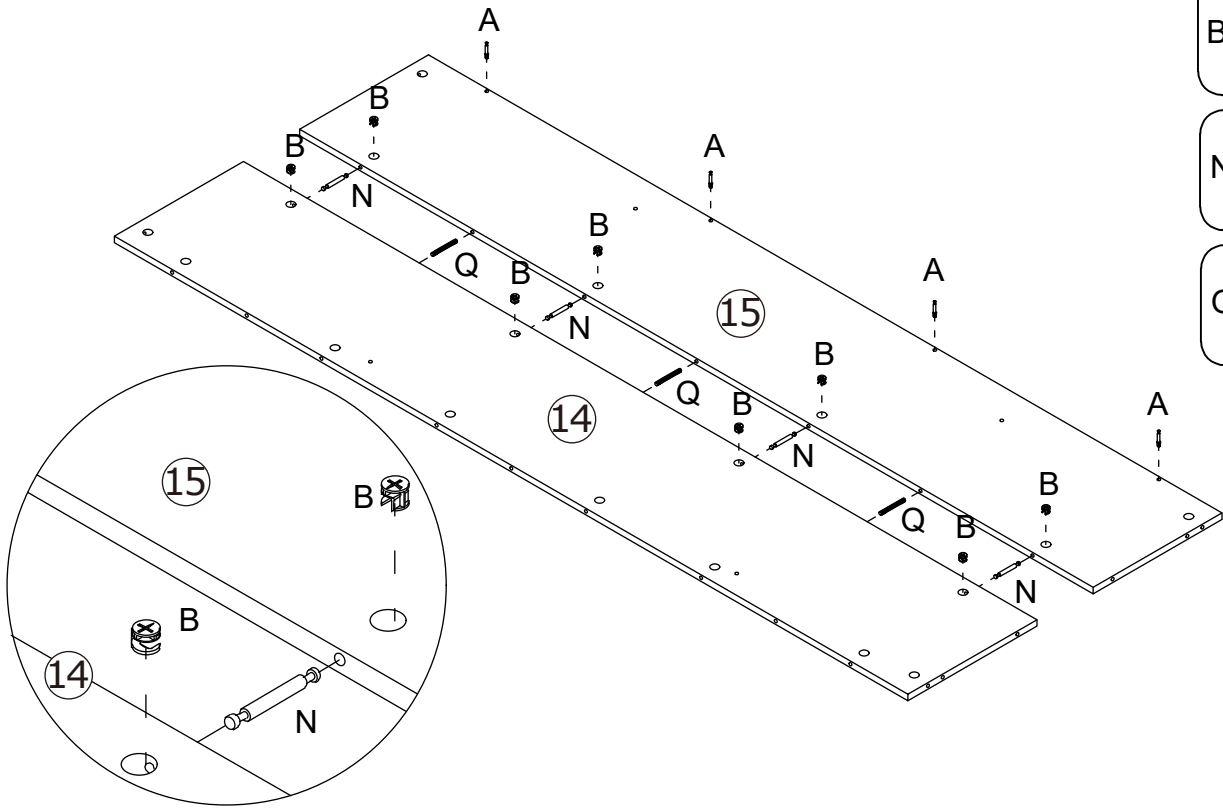
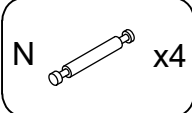
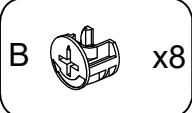
3



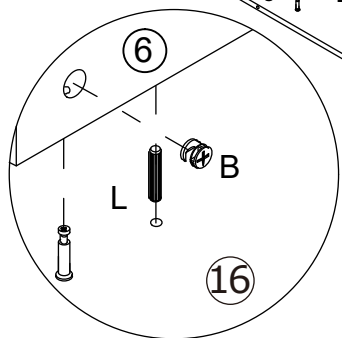
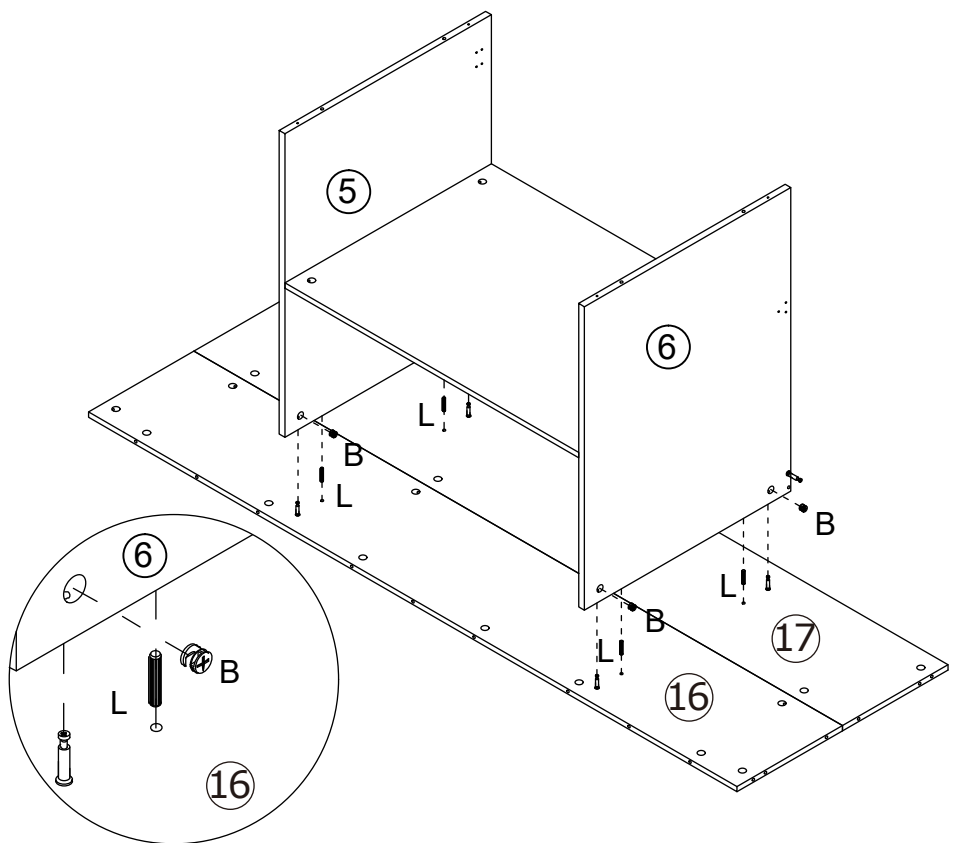
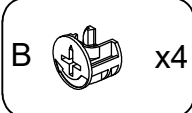
4



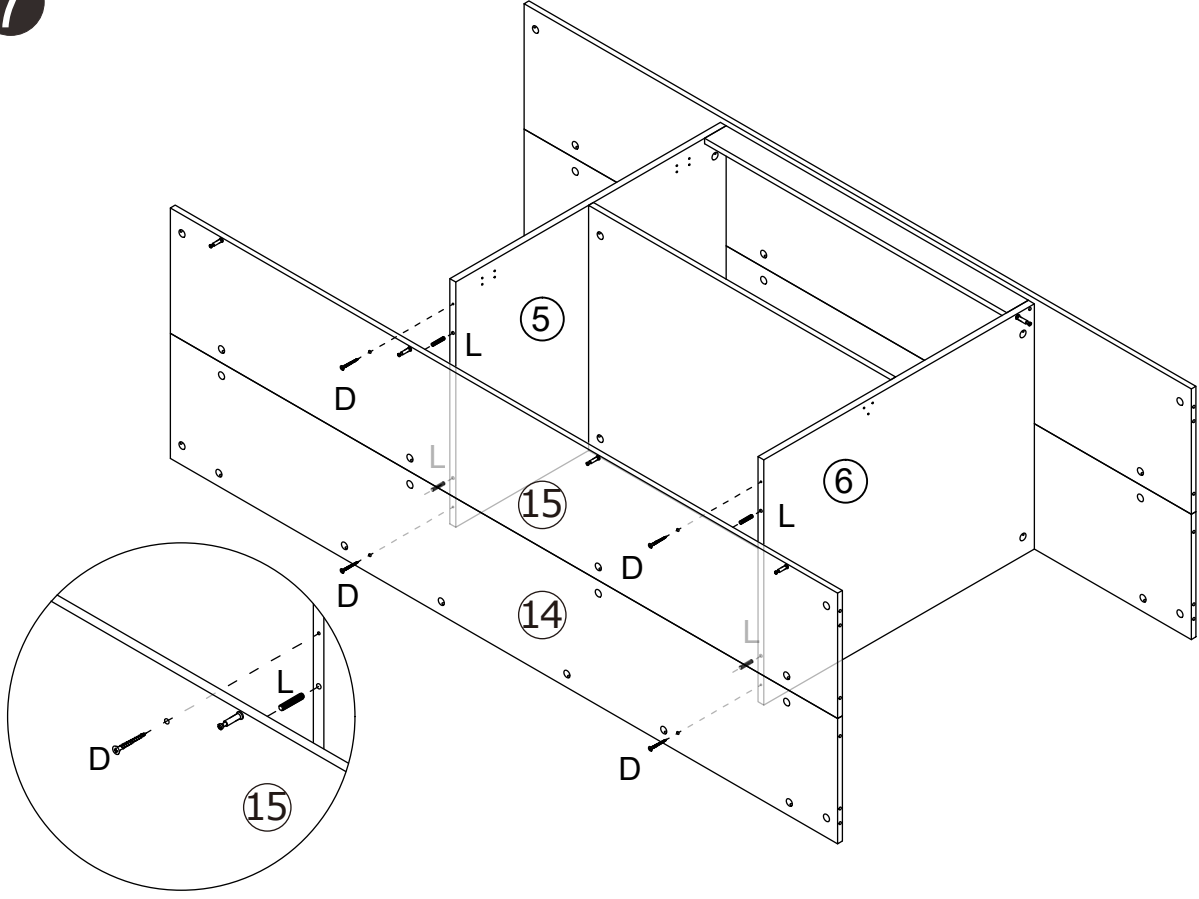
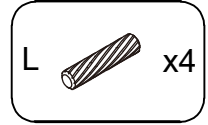
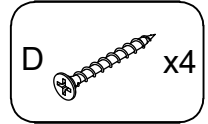
5



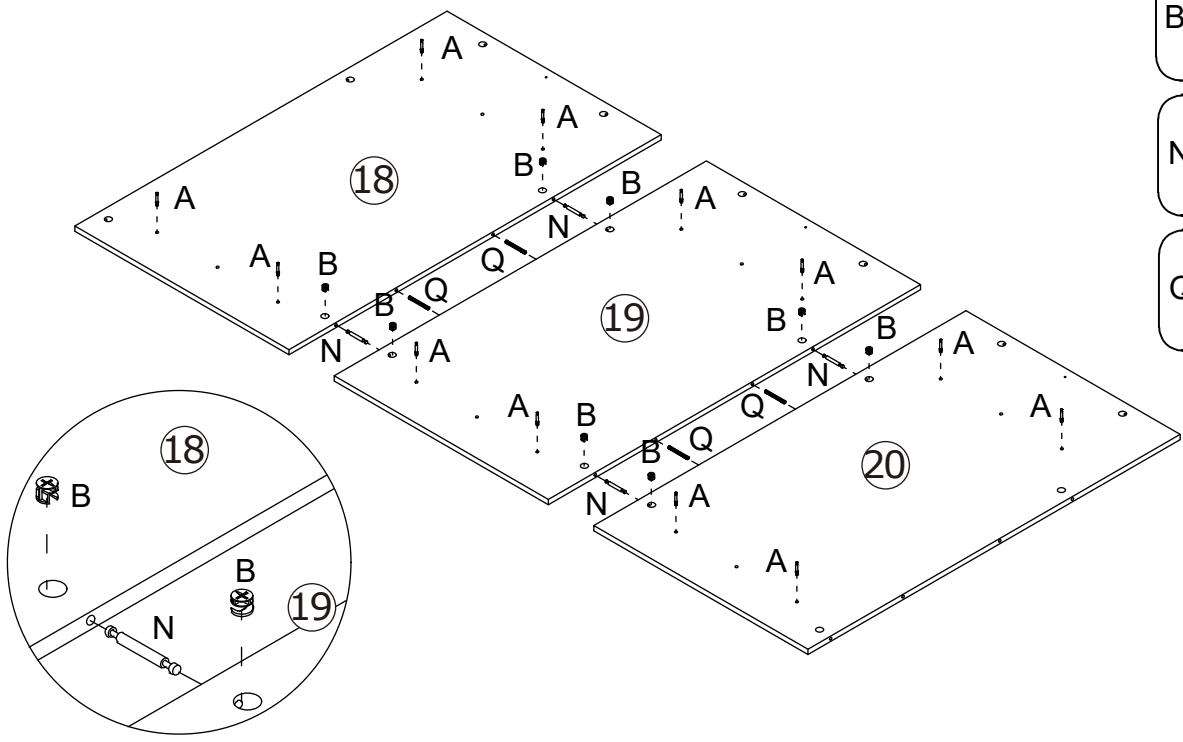
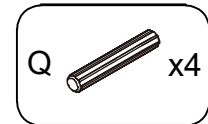
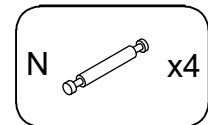
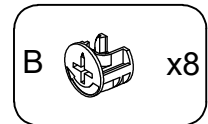
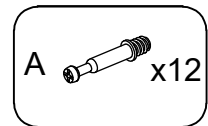
6



7

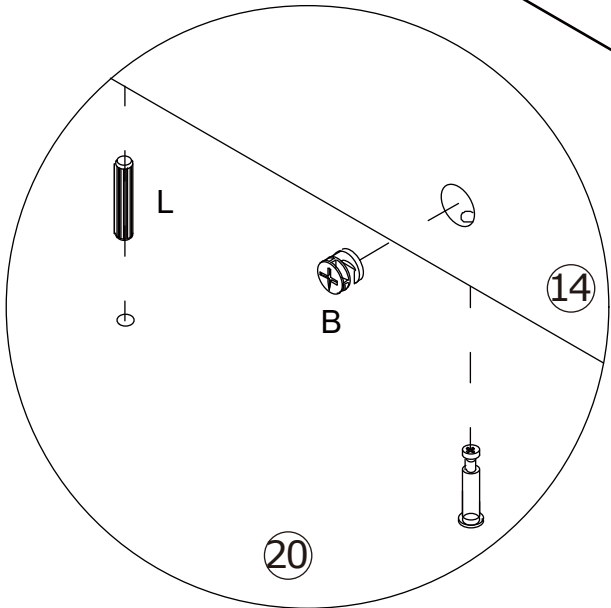
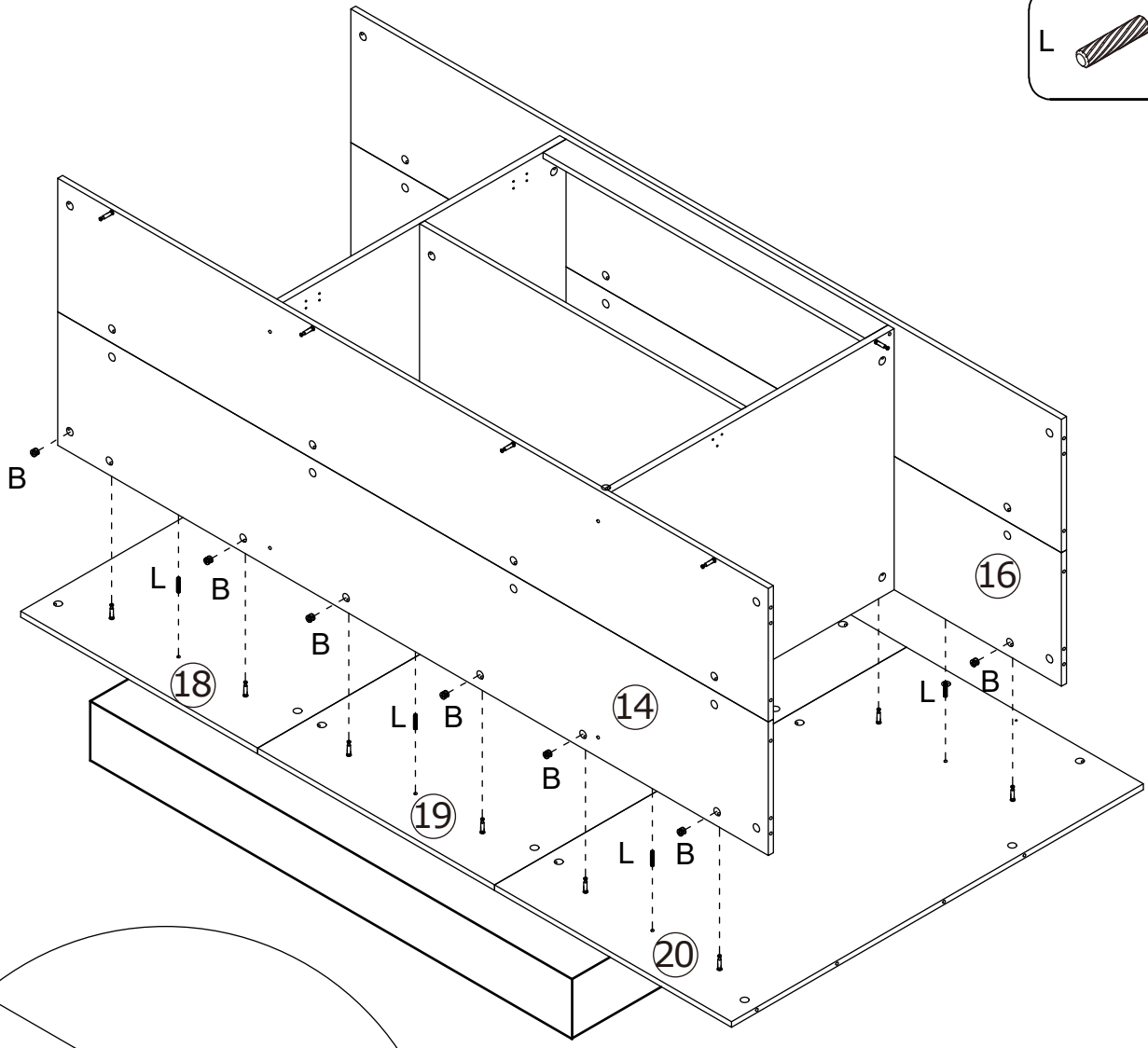
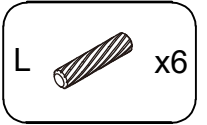
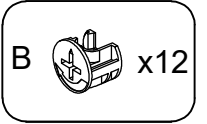


8

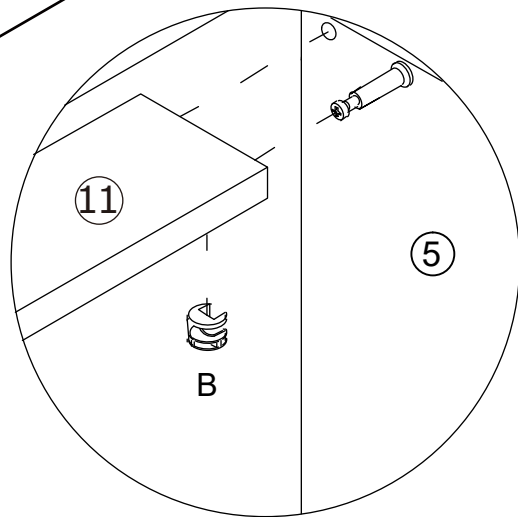
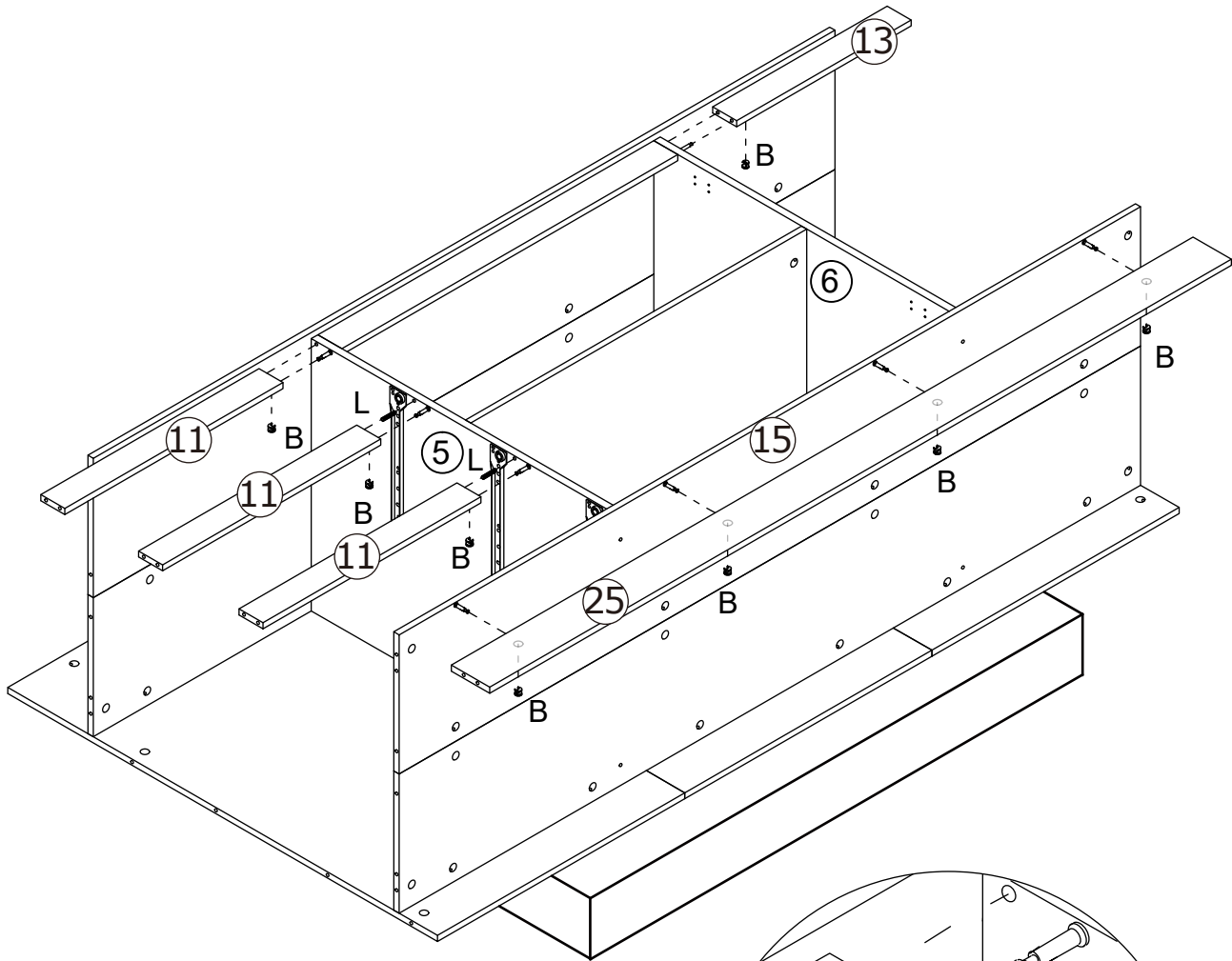
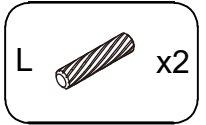
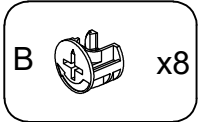


9

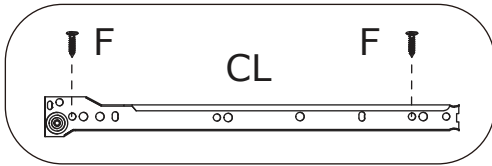
Note: 18 #, 19 # and 20 # boards shall be placed on the packaging foam before assembly




10



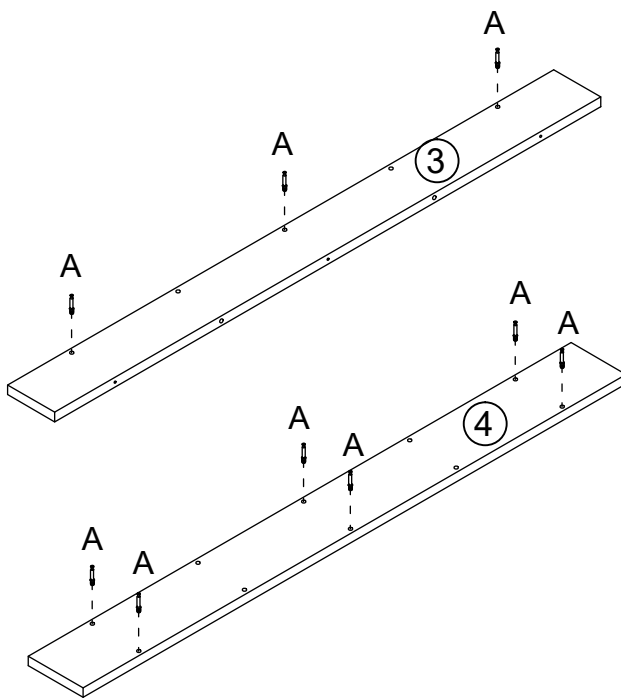
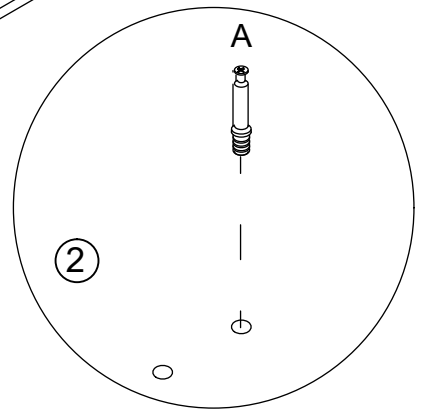
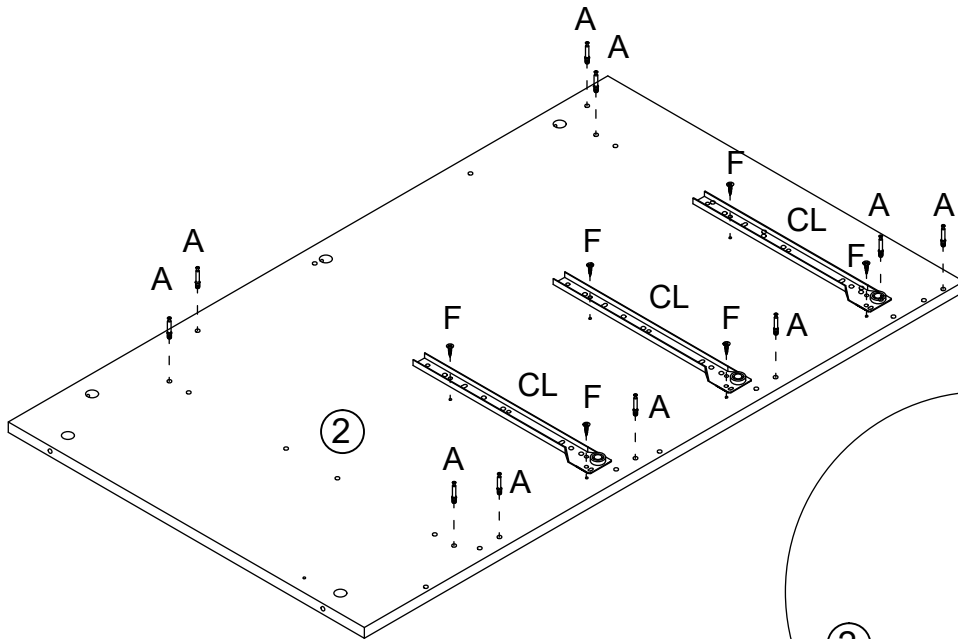
11






A  x19

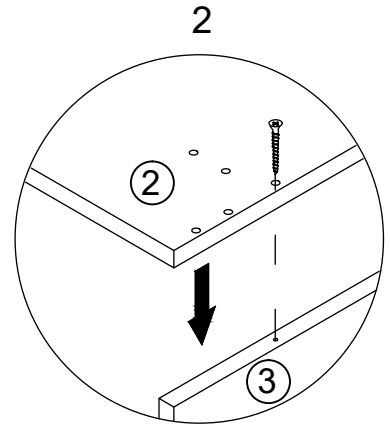
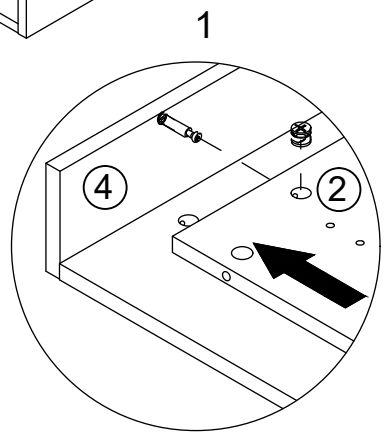
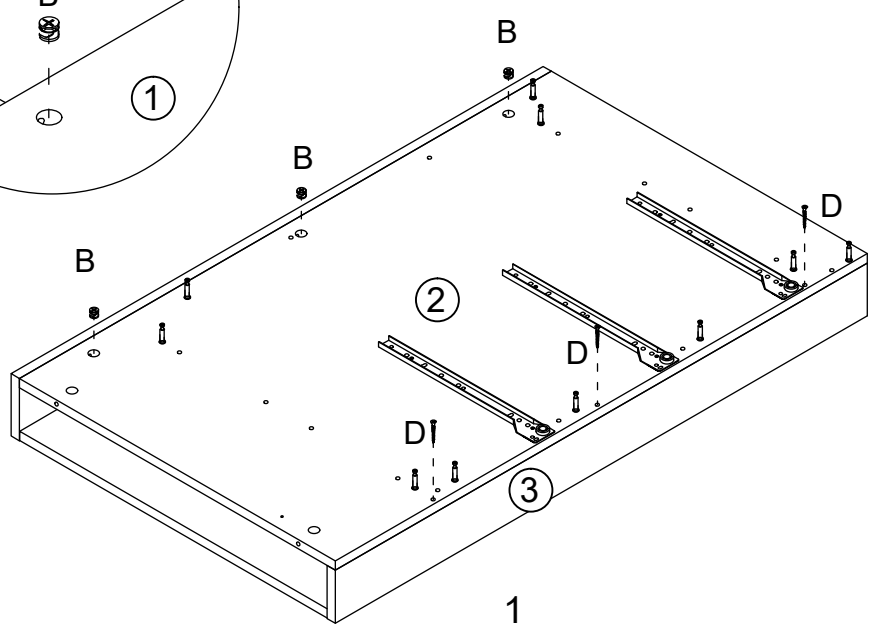
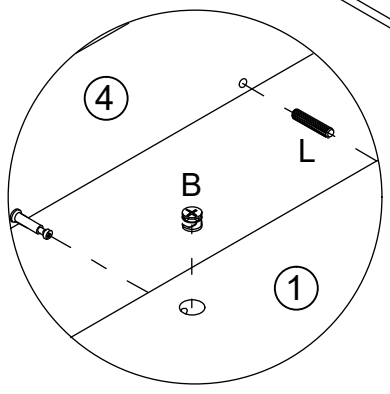
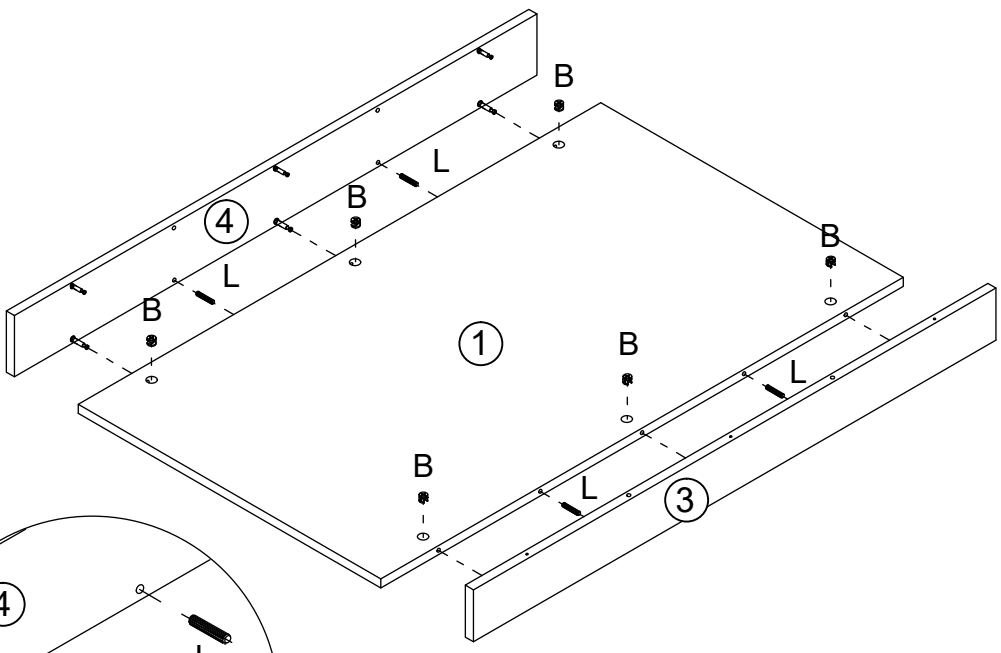
F  x6

CL  x3

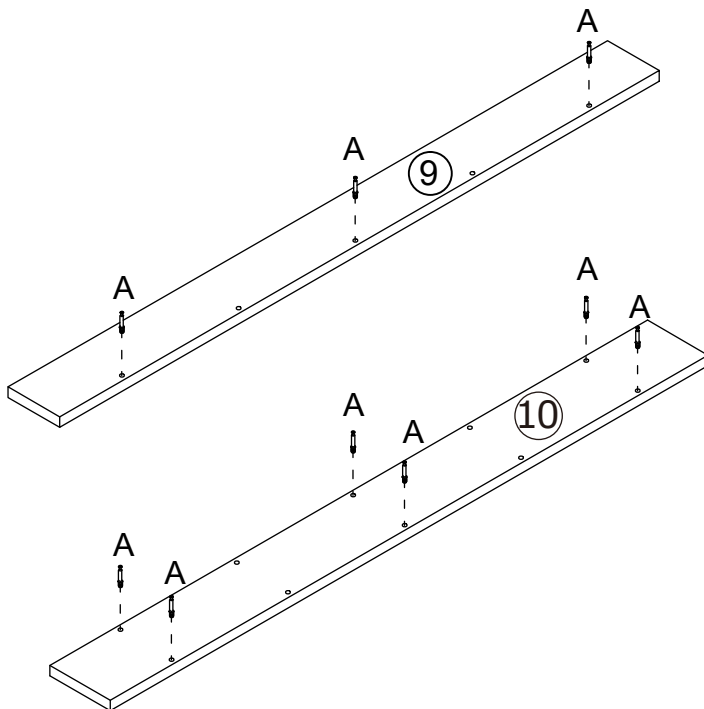
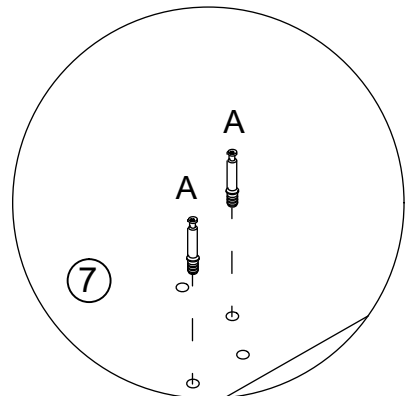
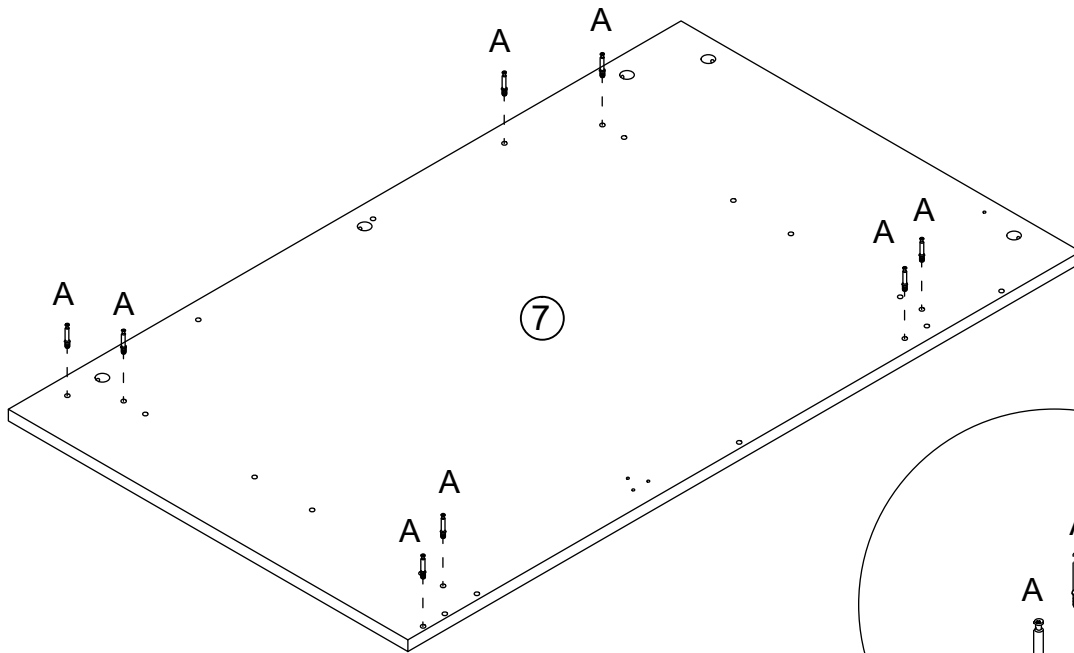
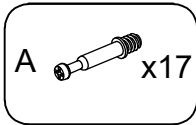


12

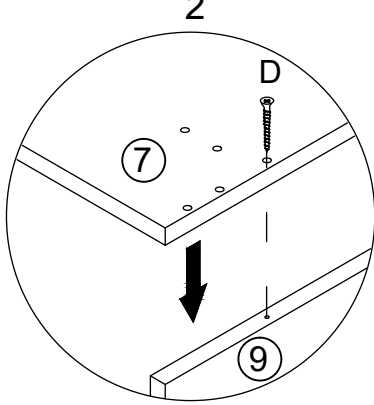
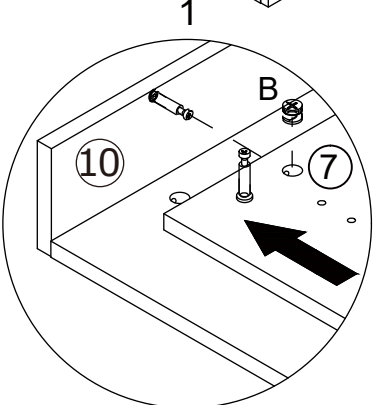
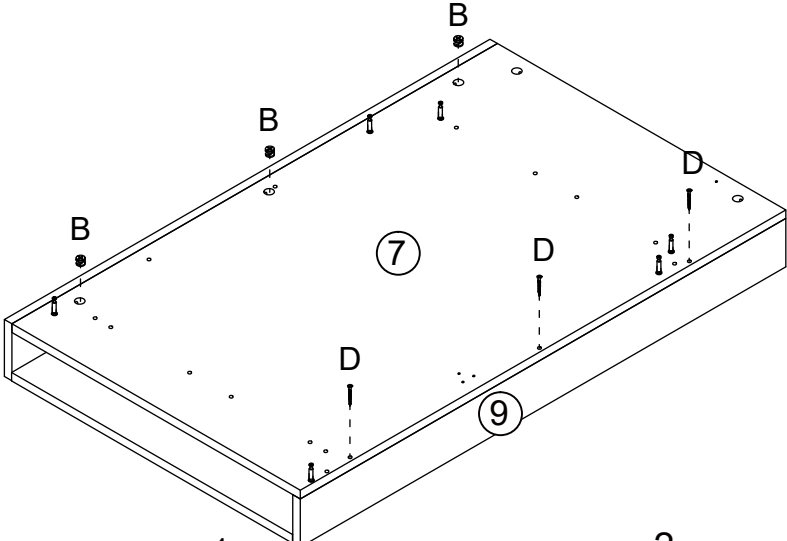
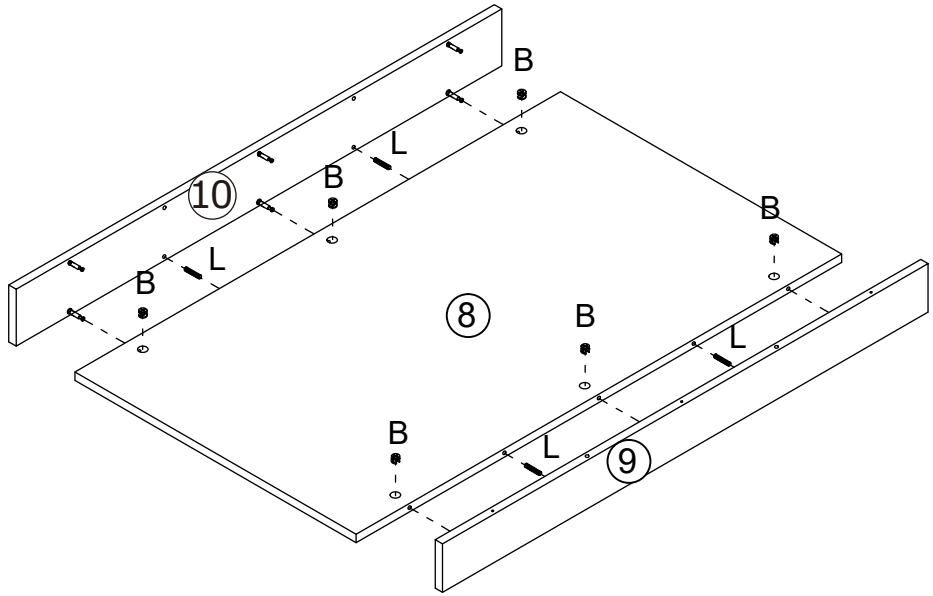
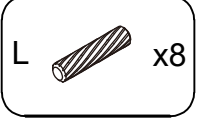
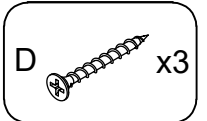
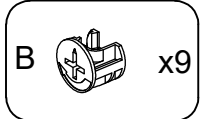
- B  x9
- D  x3
- L  x8




13




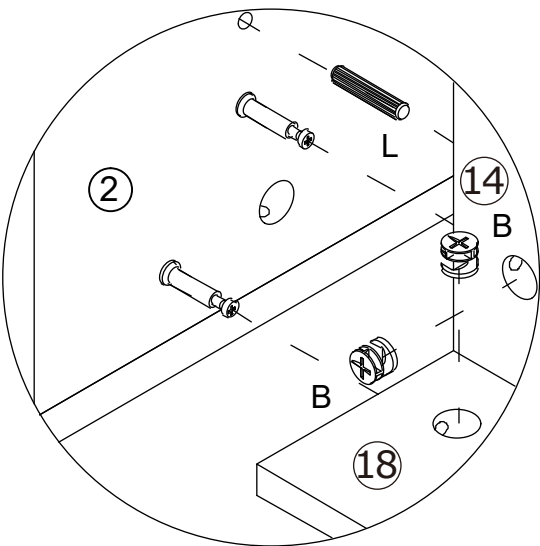
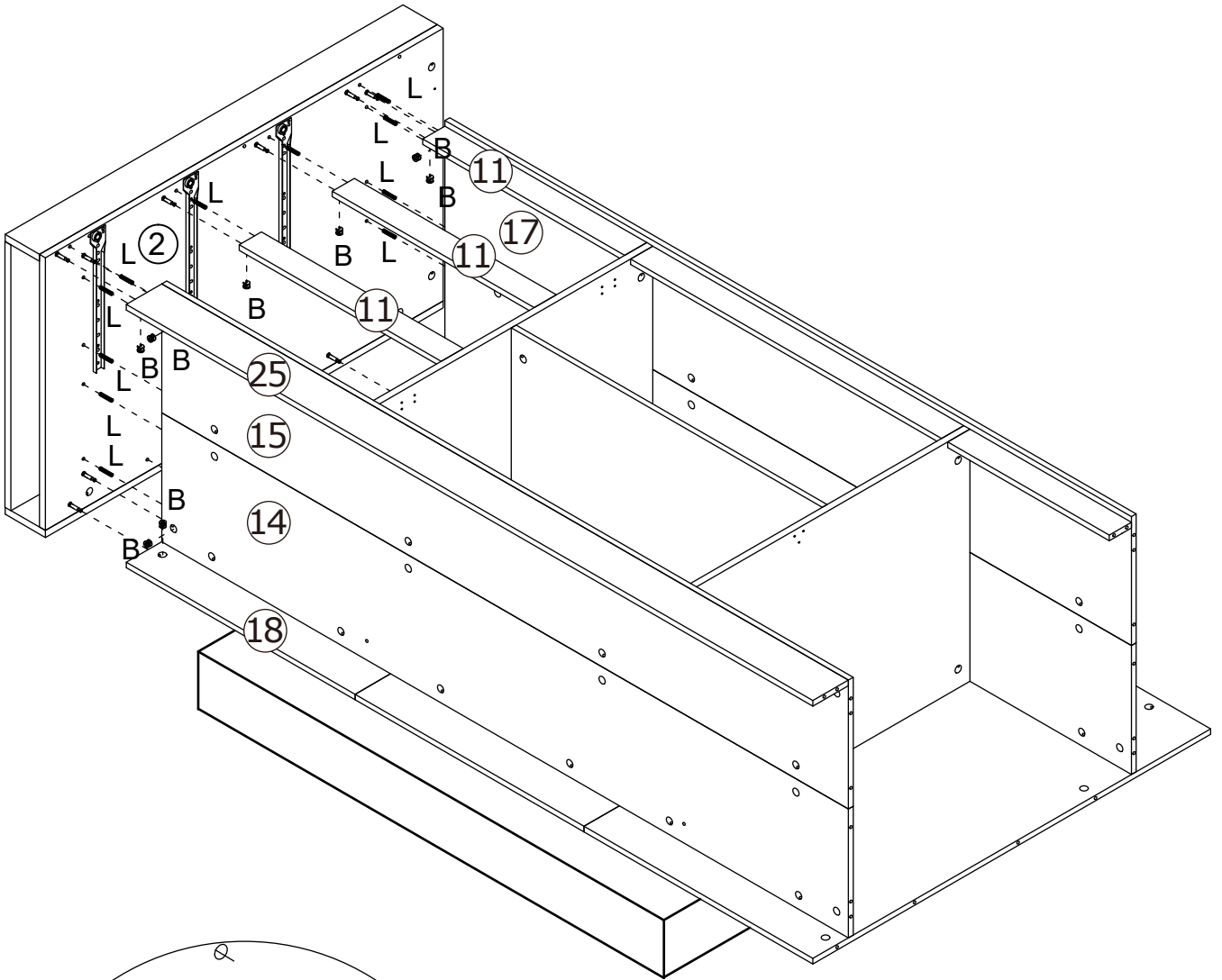
14



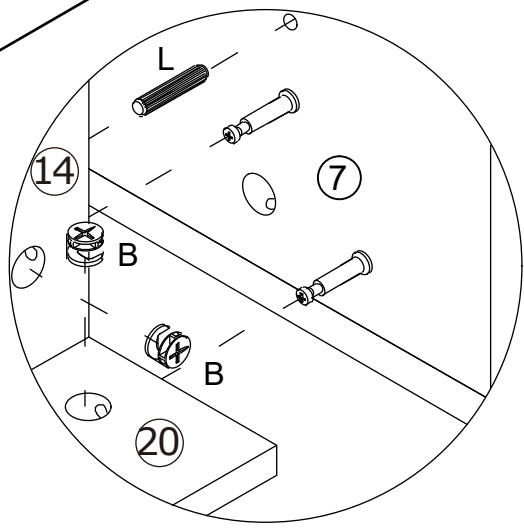
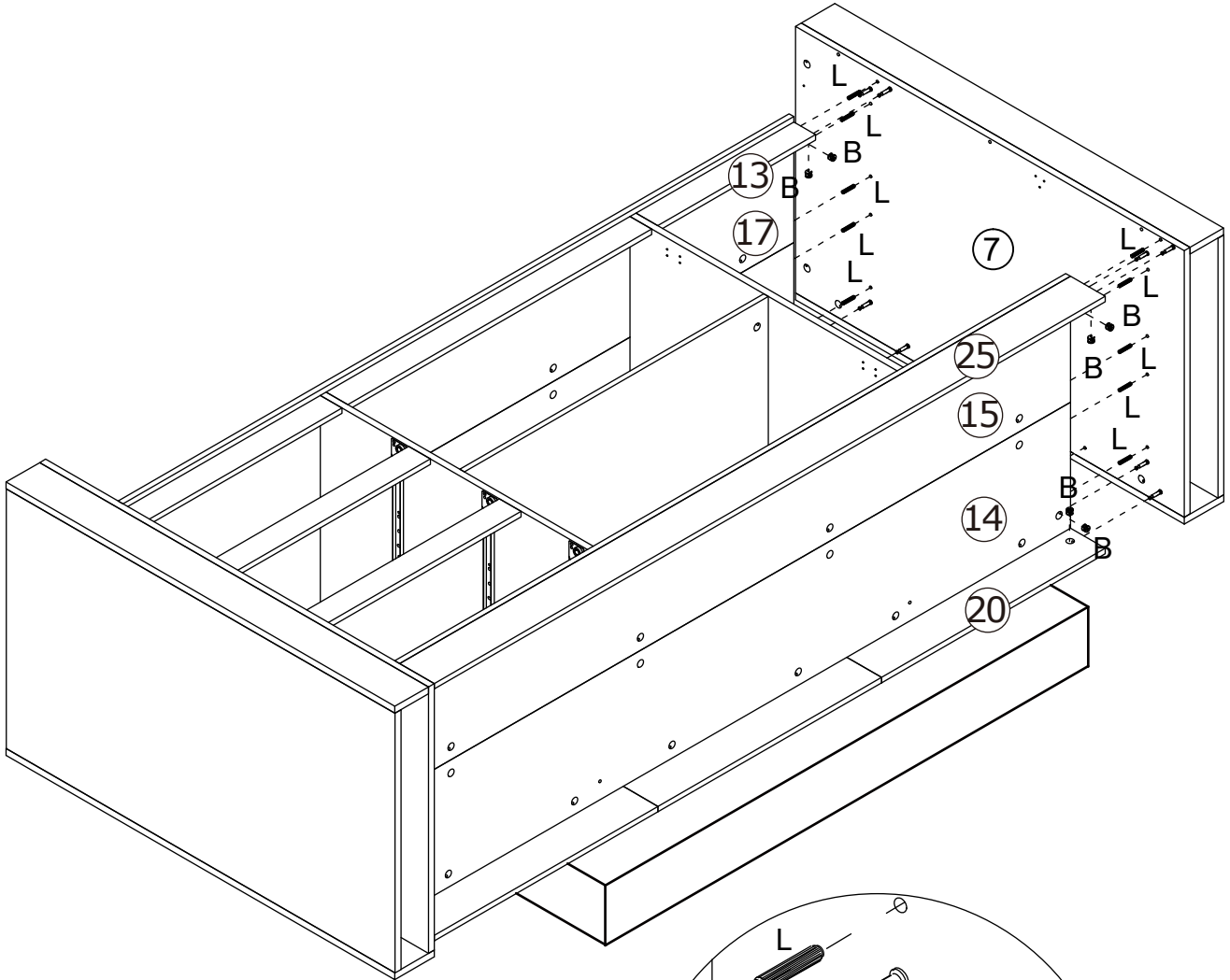
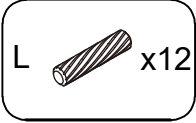
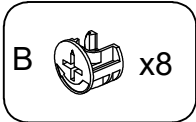
15

B  x10

L  x14

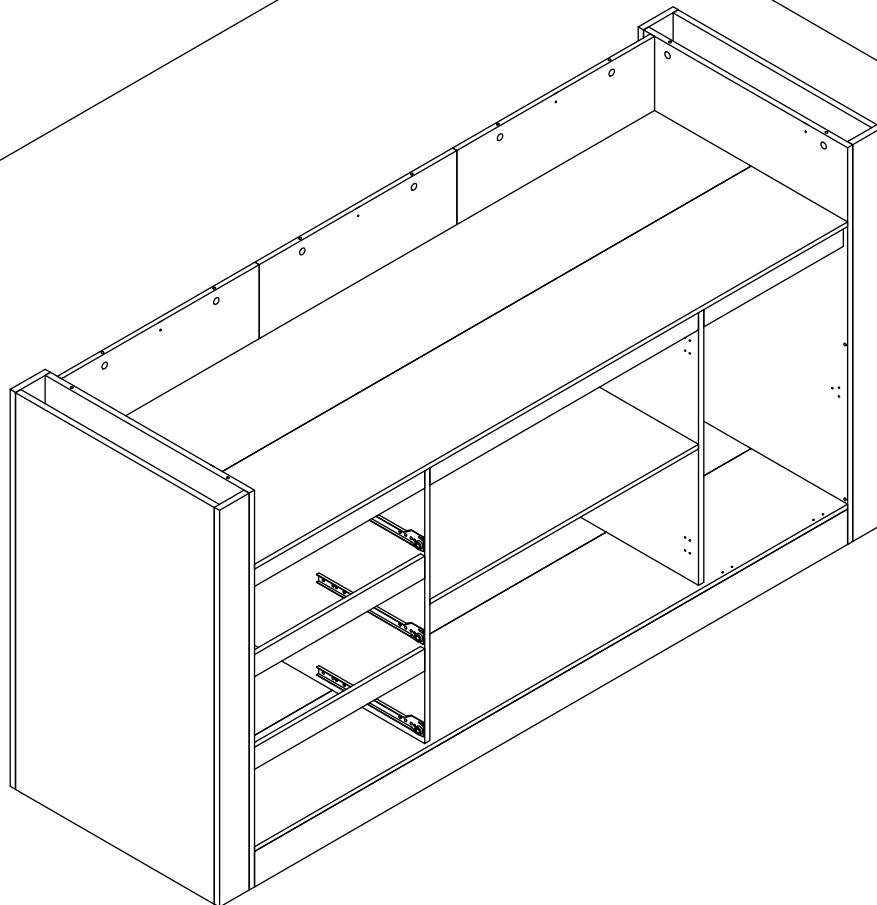


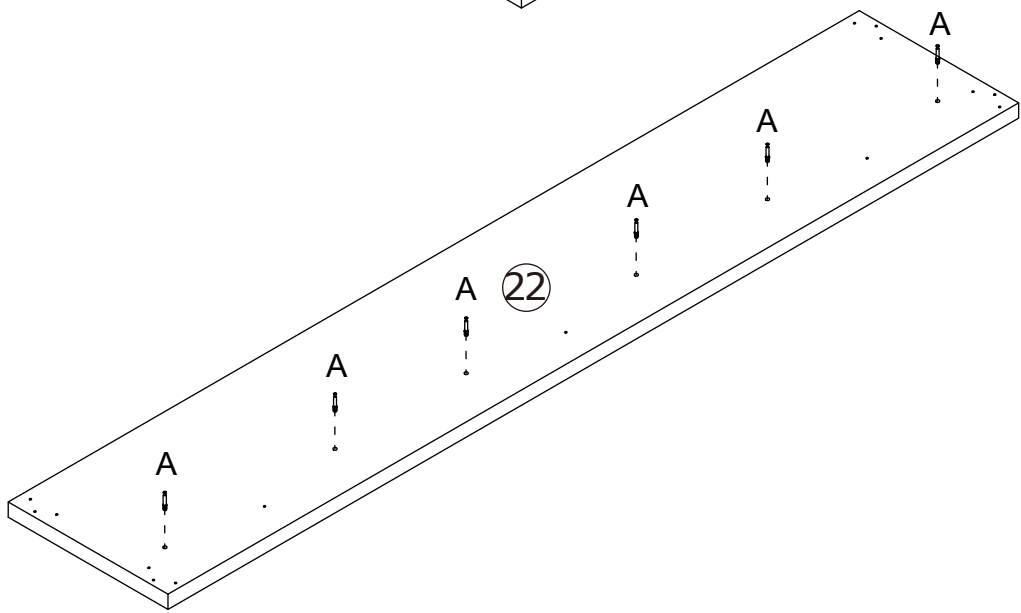
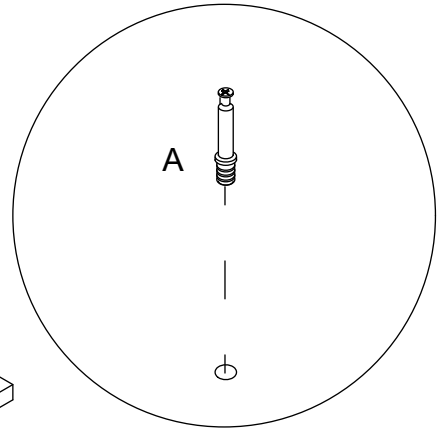
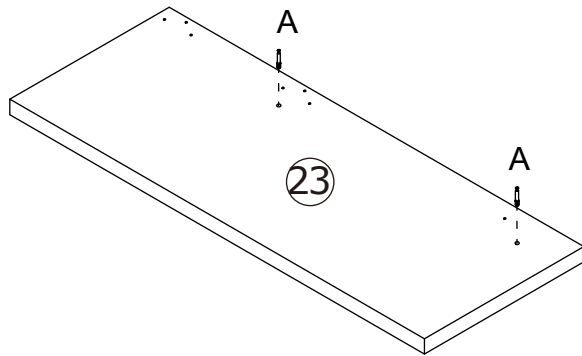
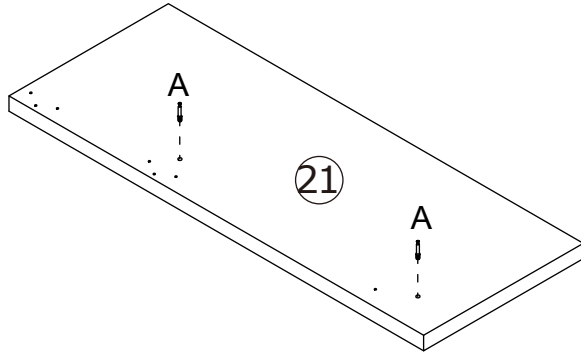
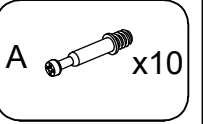
16



17

Please place the cabinet in the correct position before assembling the subsequent parts

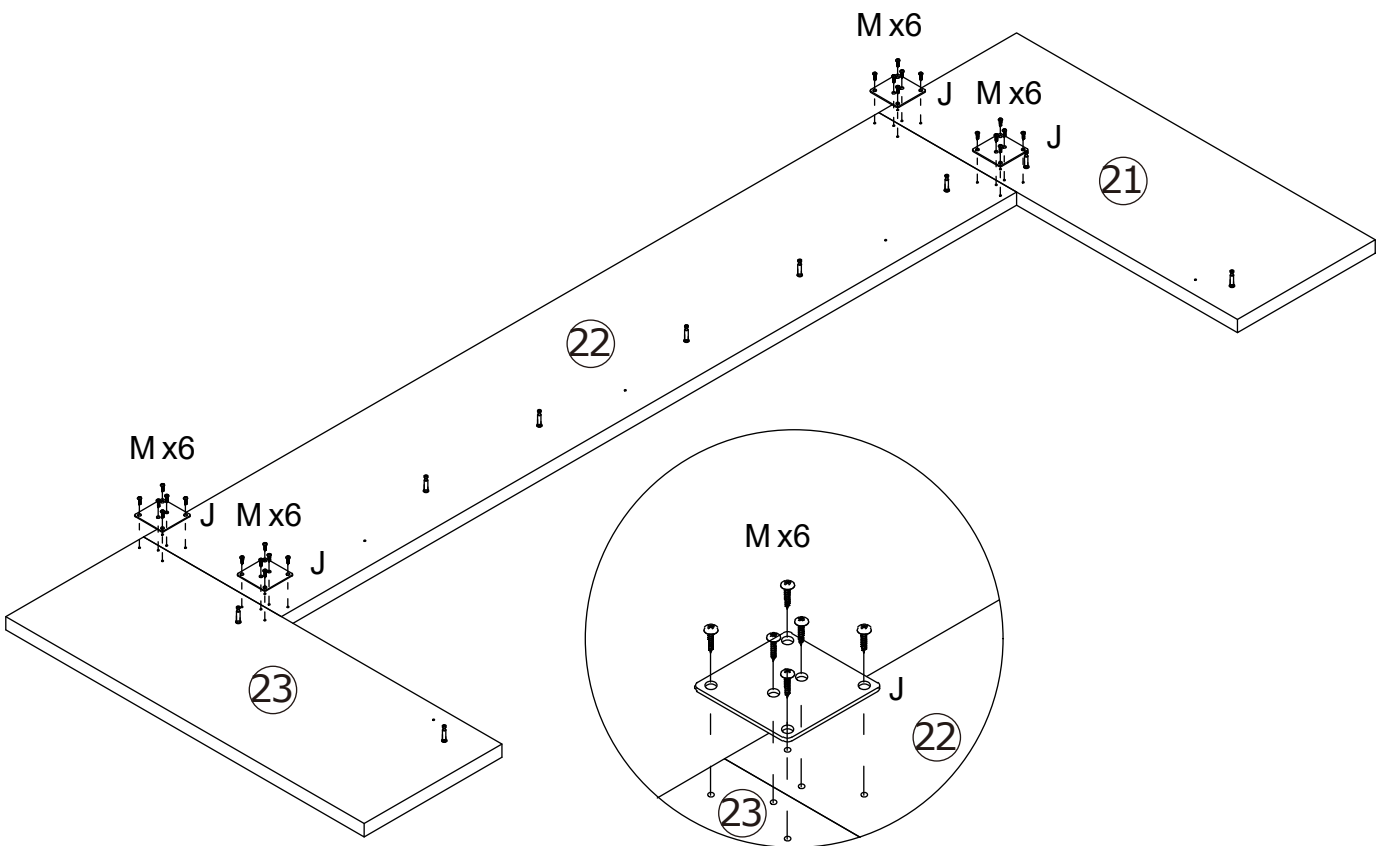




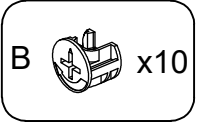
19

J  x4

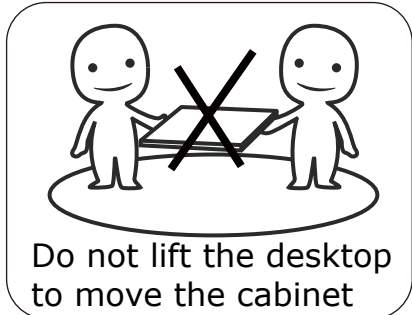
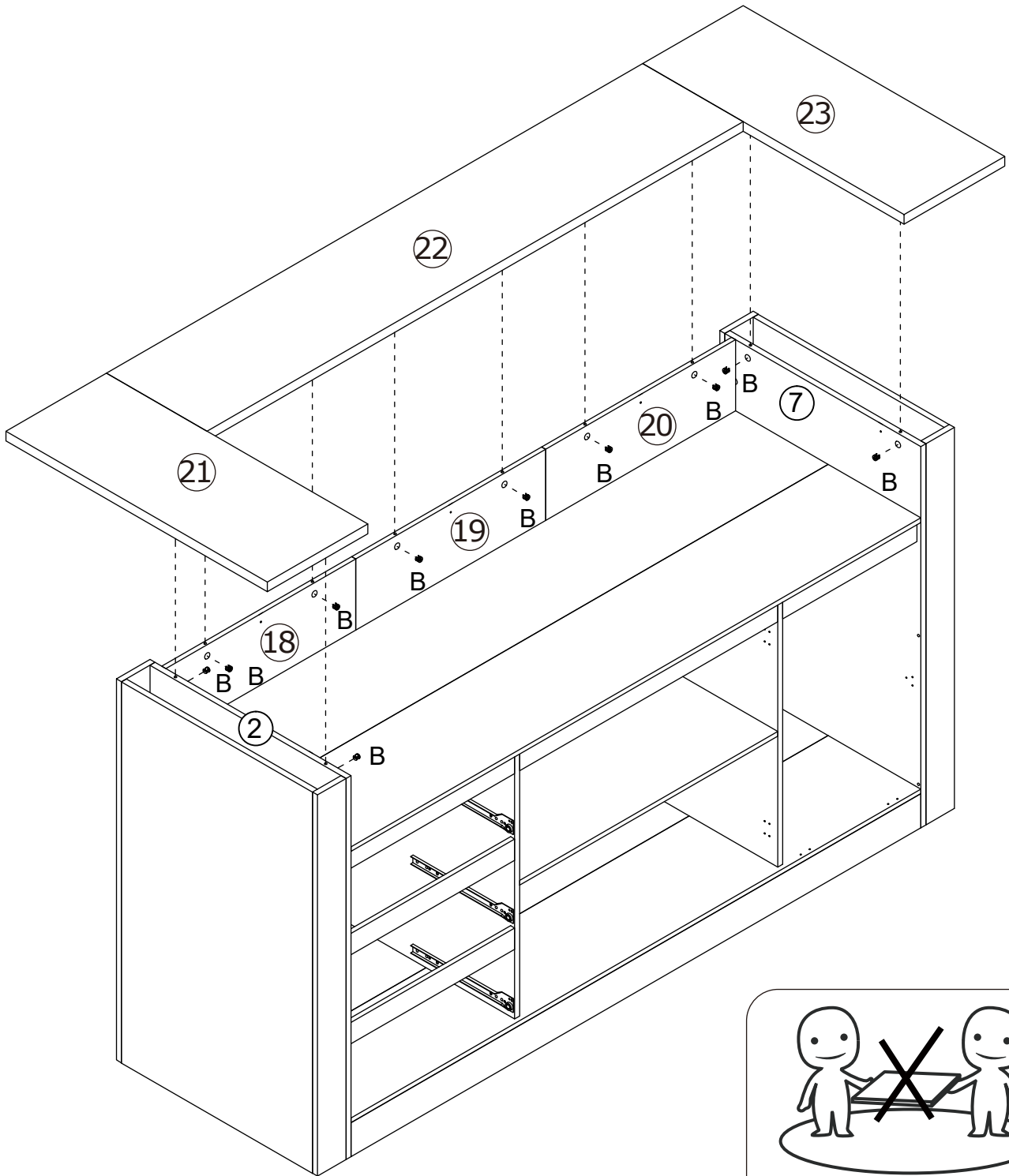
M  x24



20

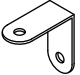



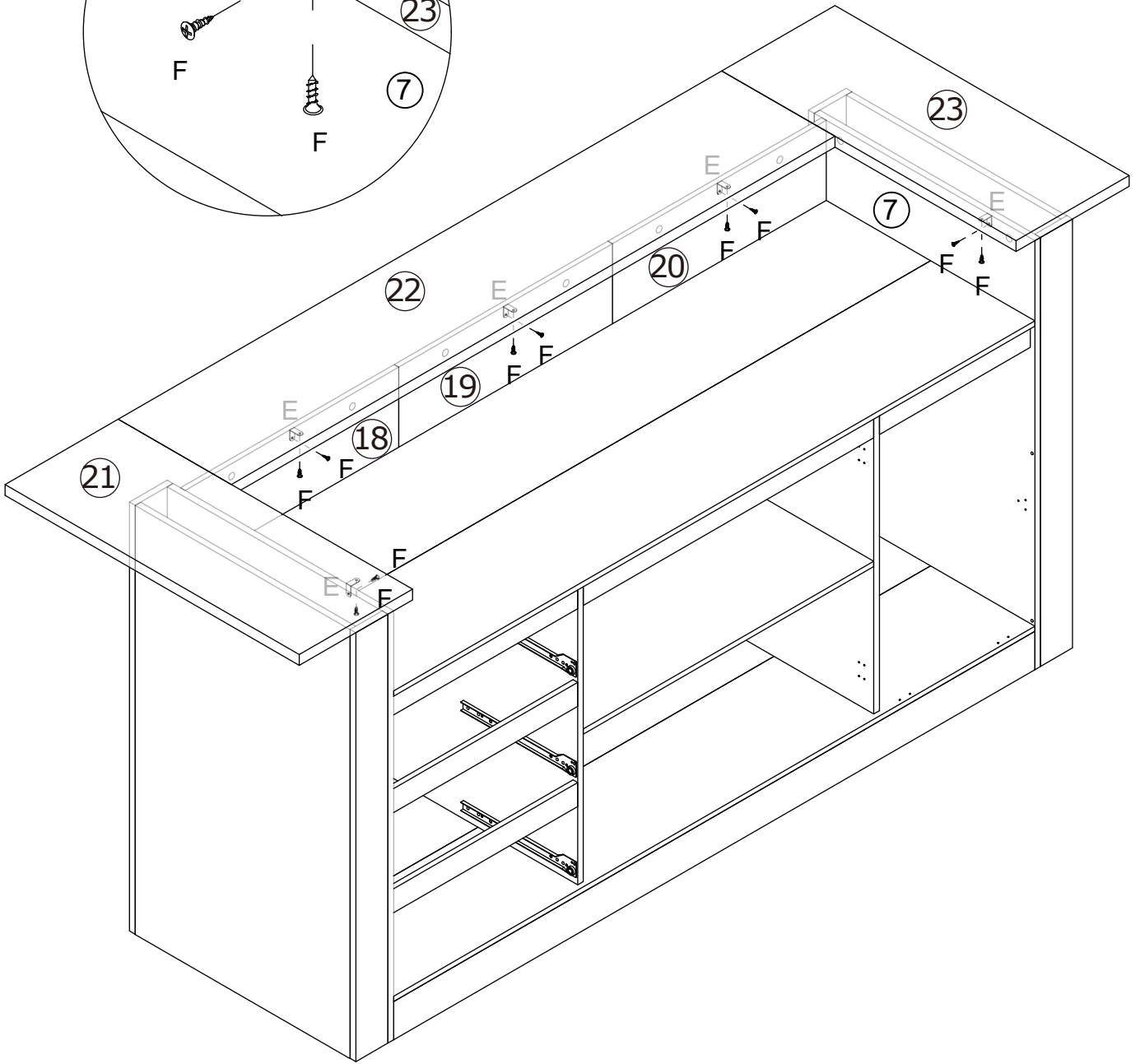
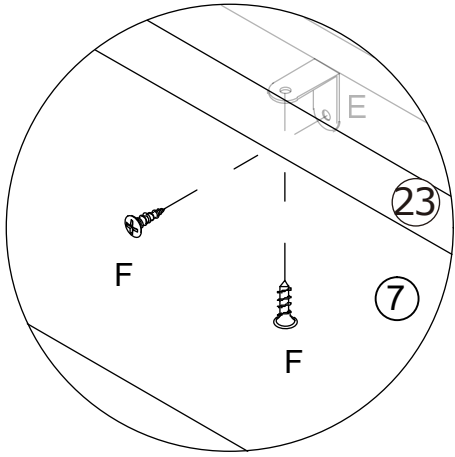
Please confirm if the cabinet is placed in the correct position before assembling the panel. After assembling the panel, it is forbidden to move the cabinet to prevent product damage during the movement process.

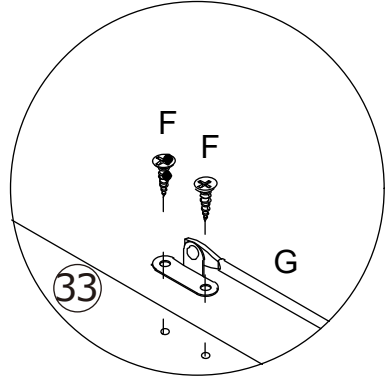
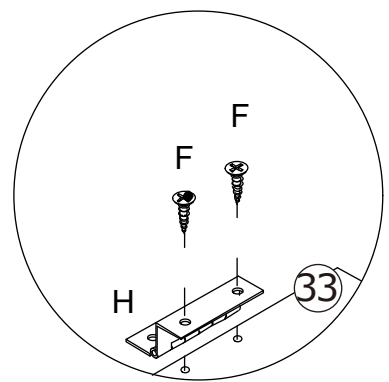
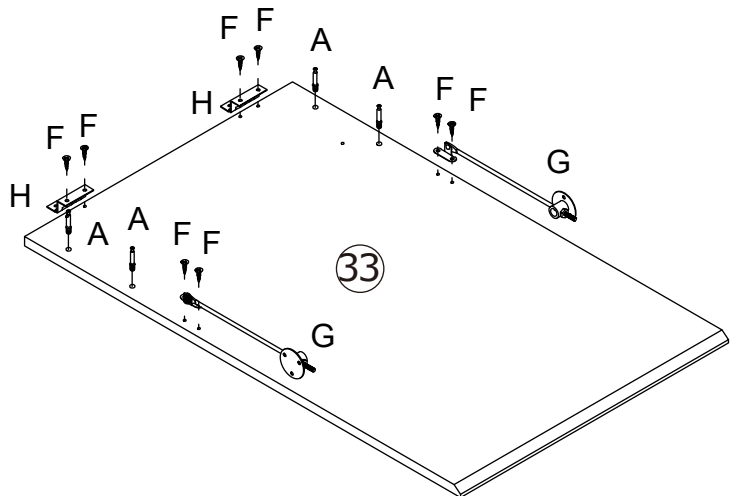
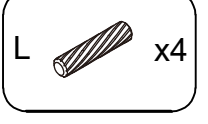
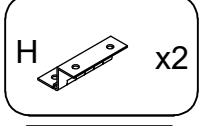
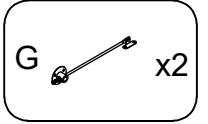
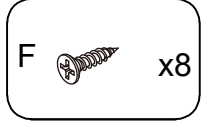
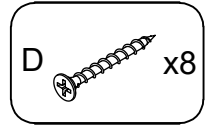
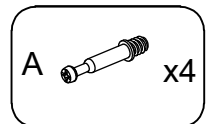
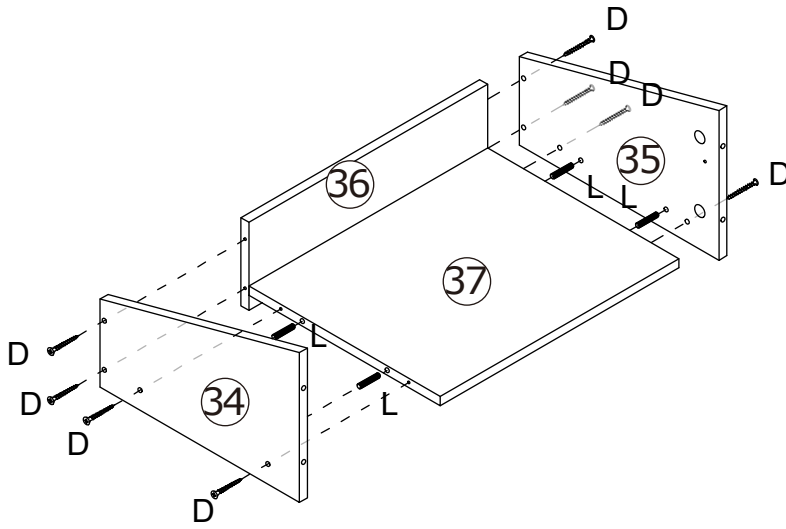


Do not lift the desktop to move the cabinet

21

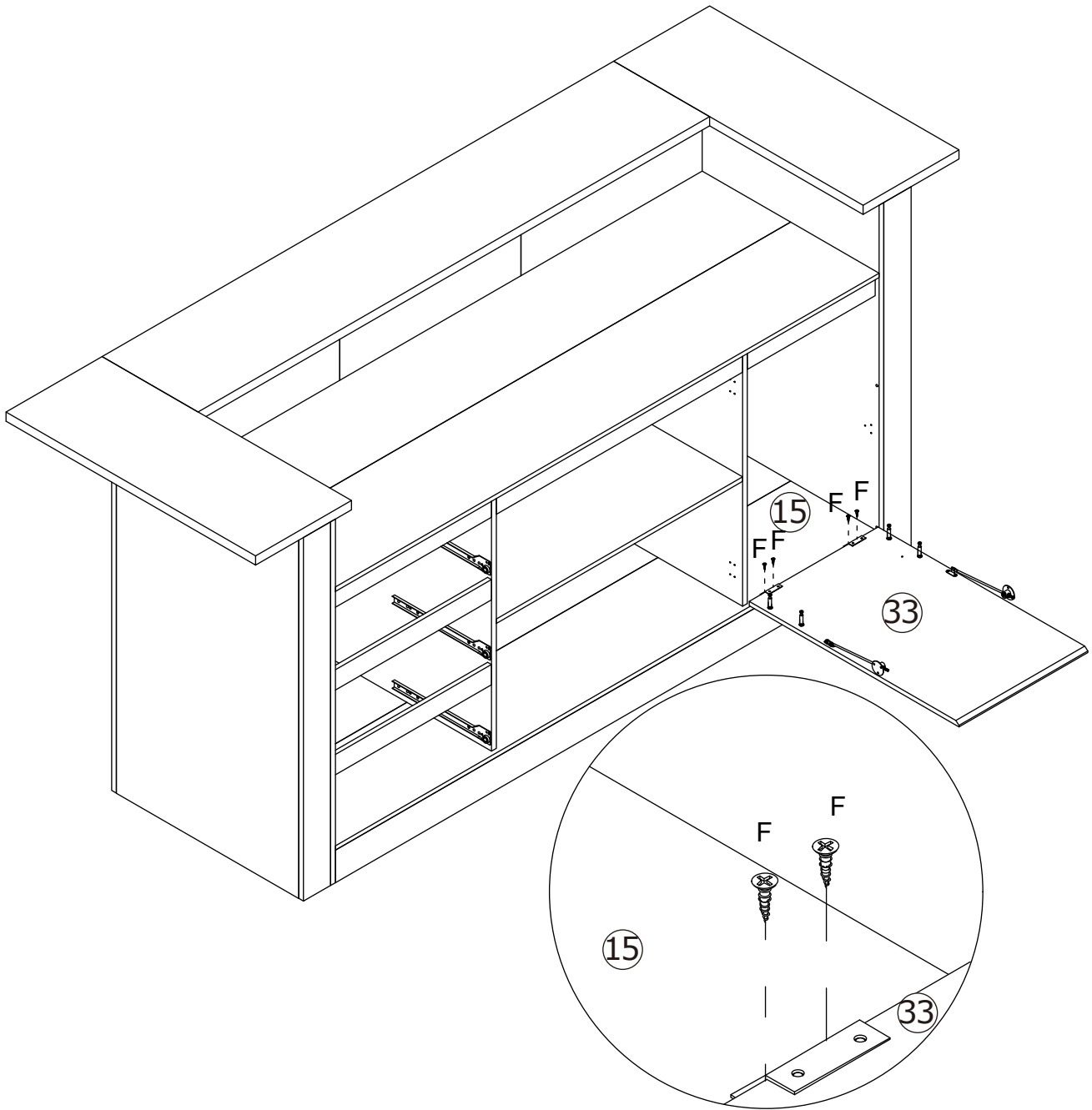
- E  x5
- F  x10






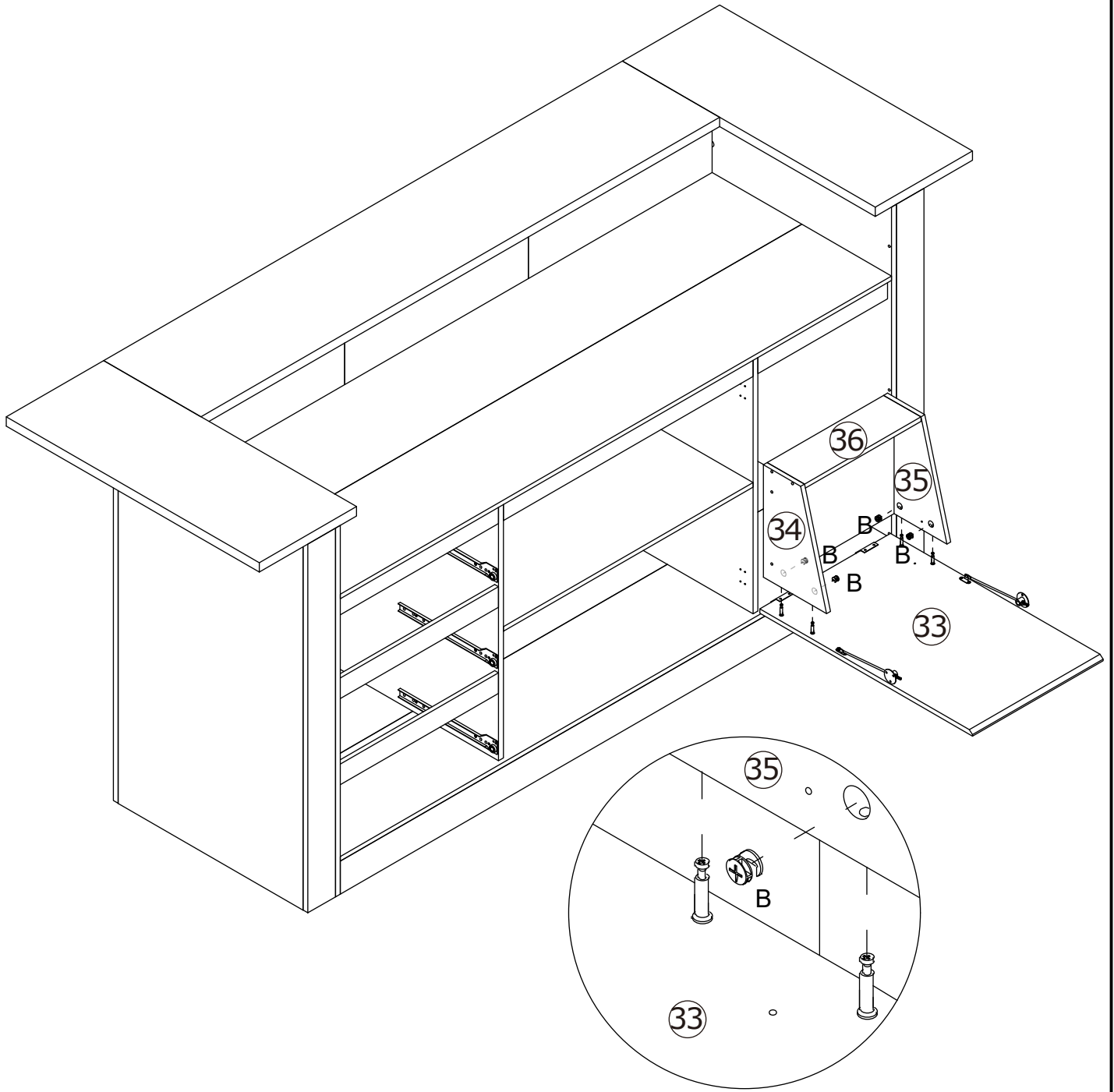
23

F  x4

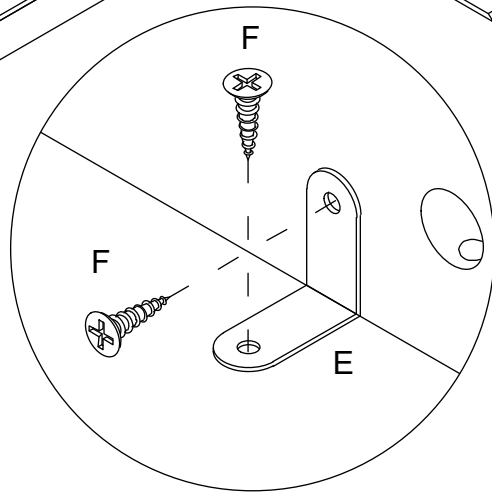
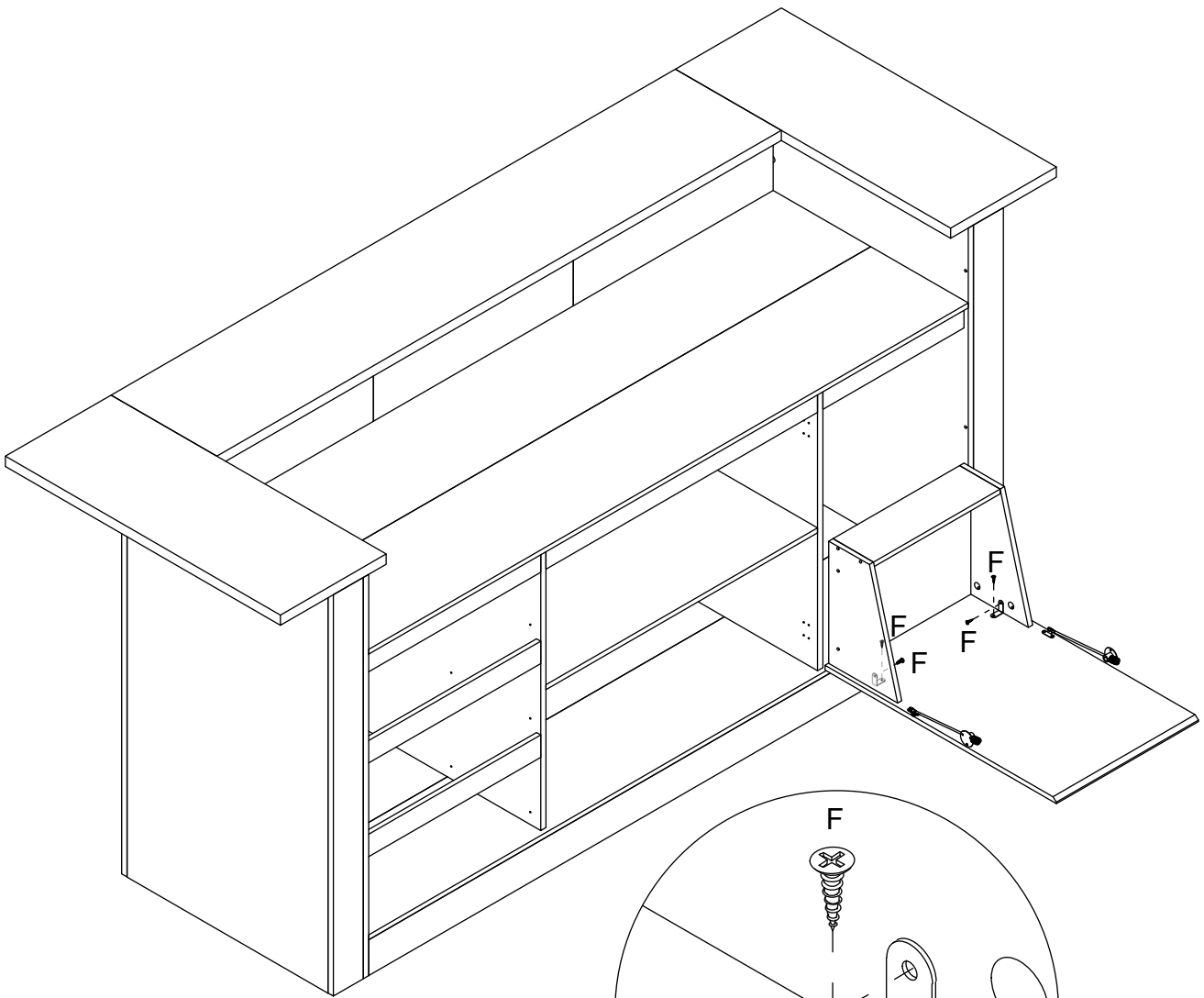
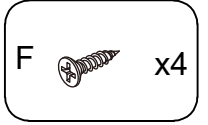
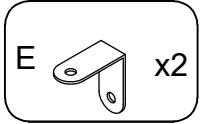


24

B  x4

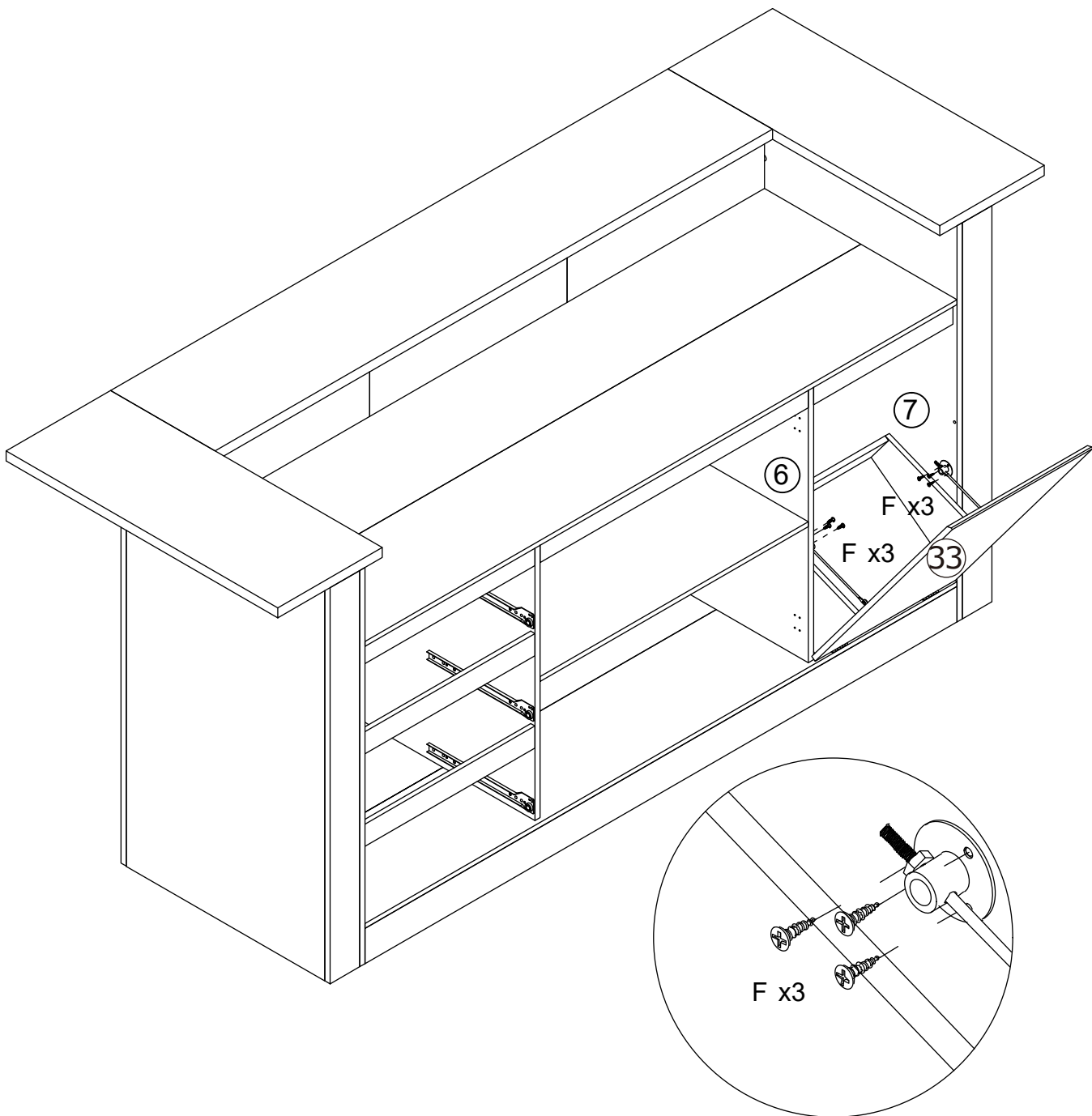


25

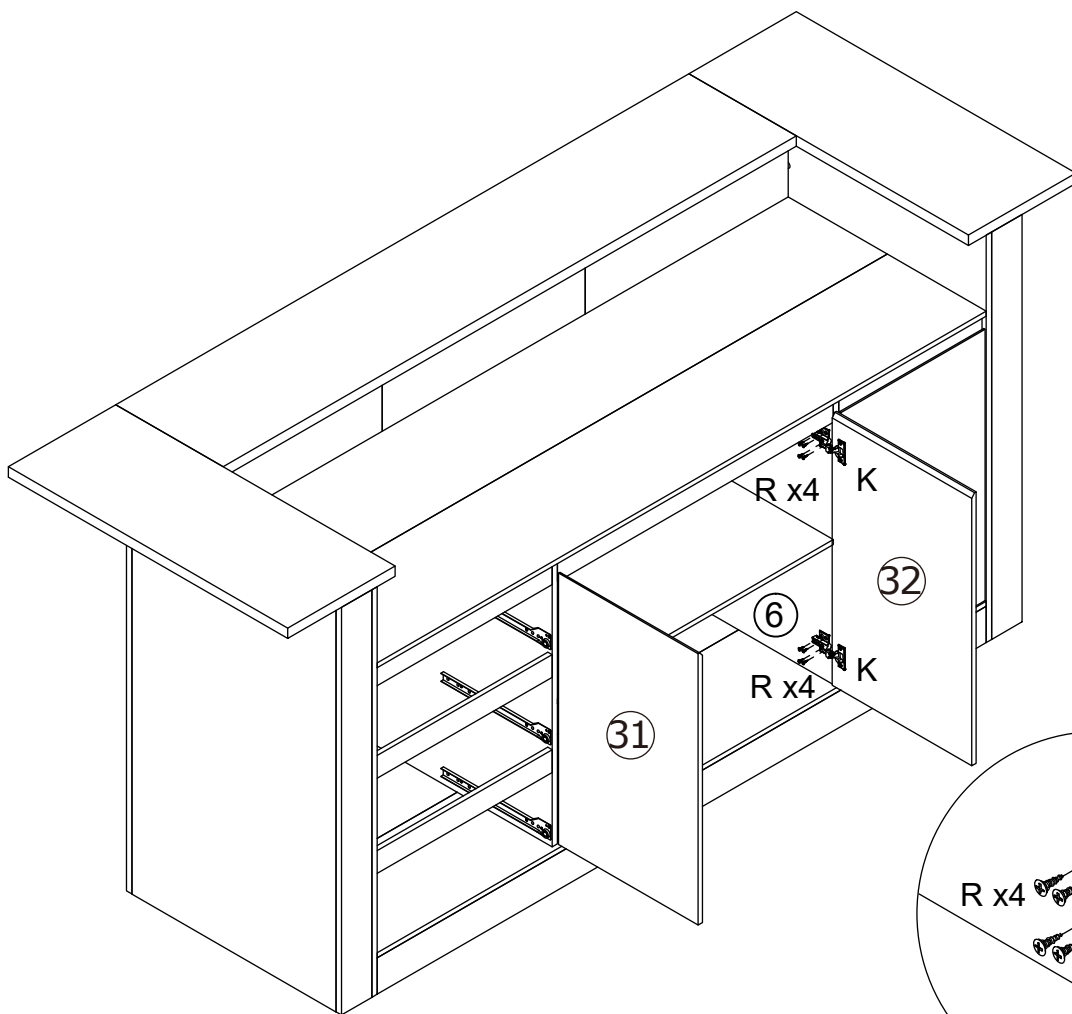
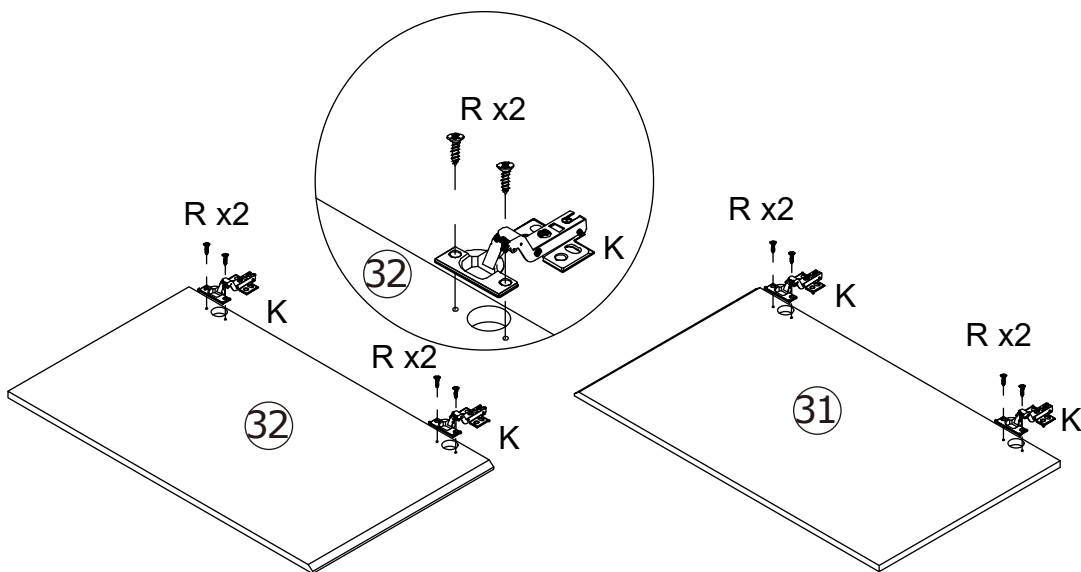
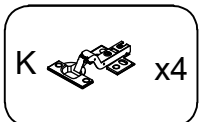


26

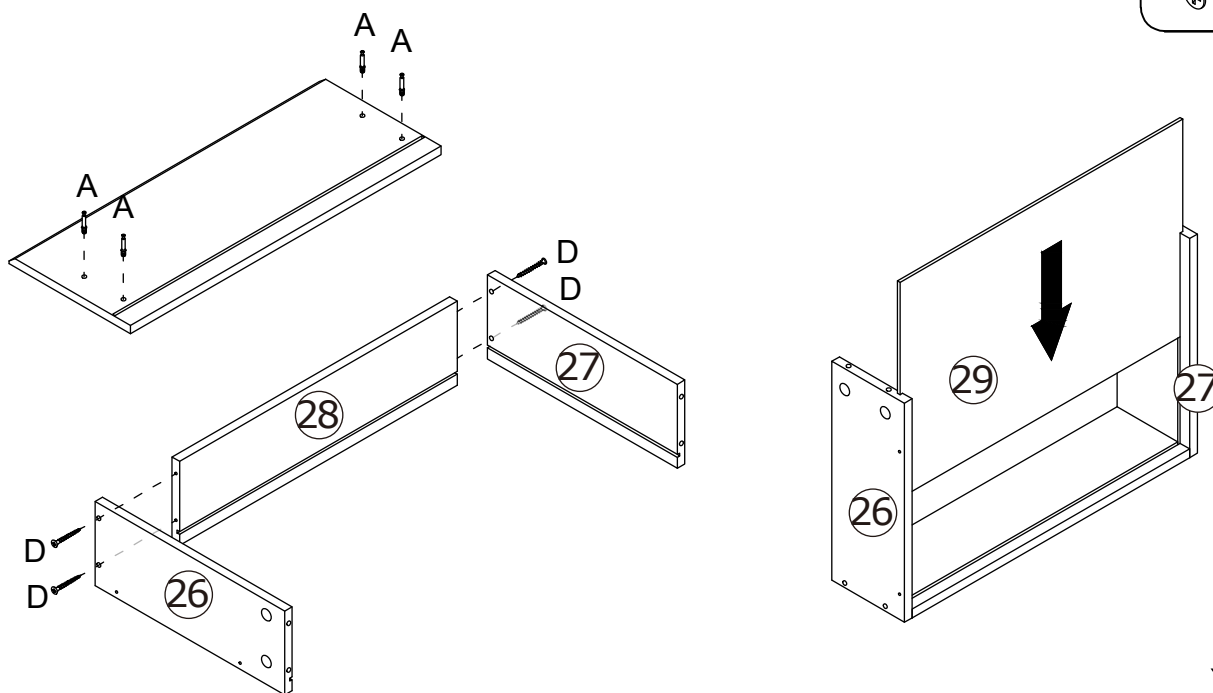
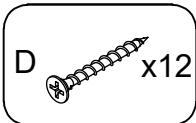
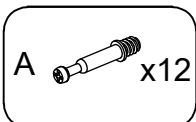
F  x6



27

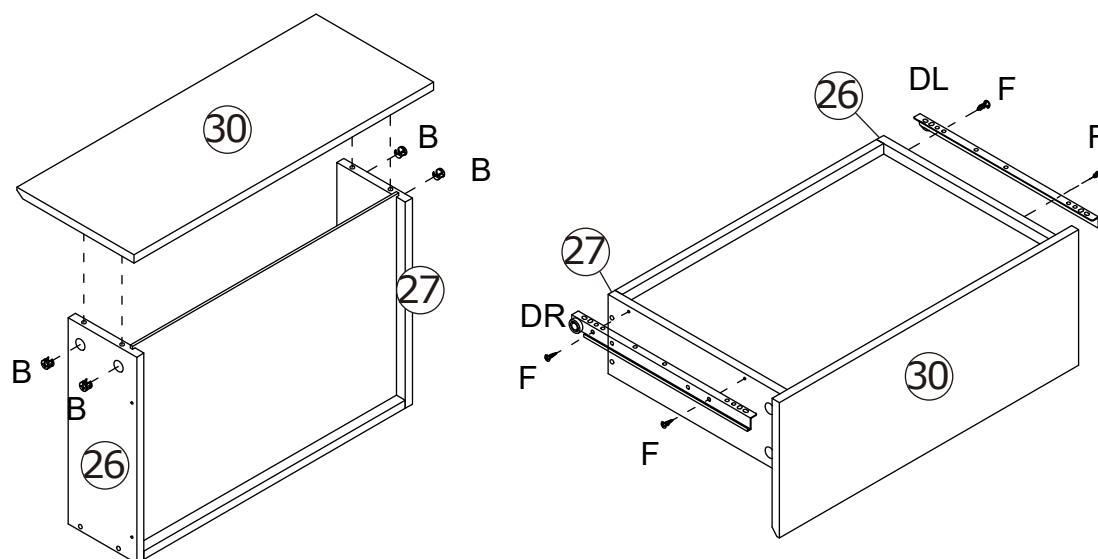
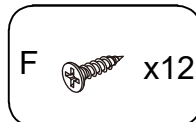
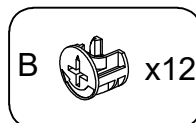
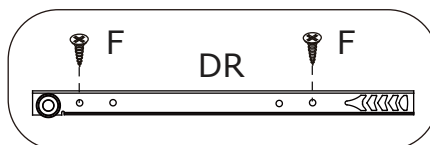
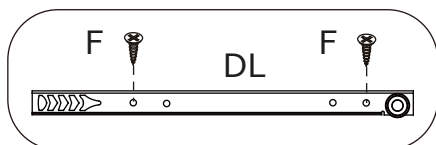


28



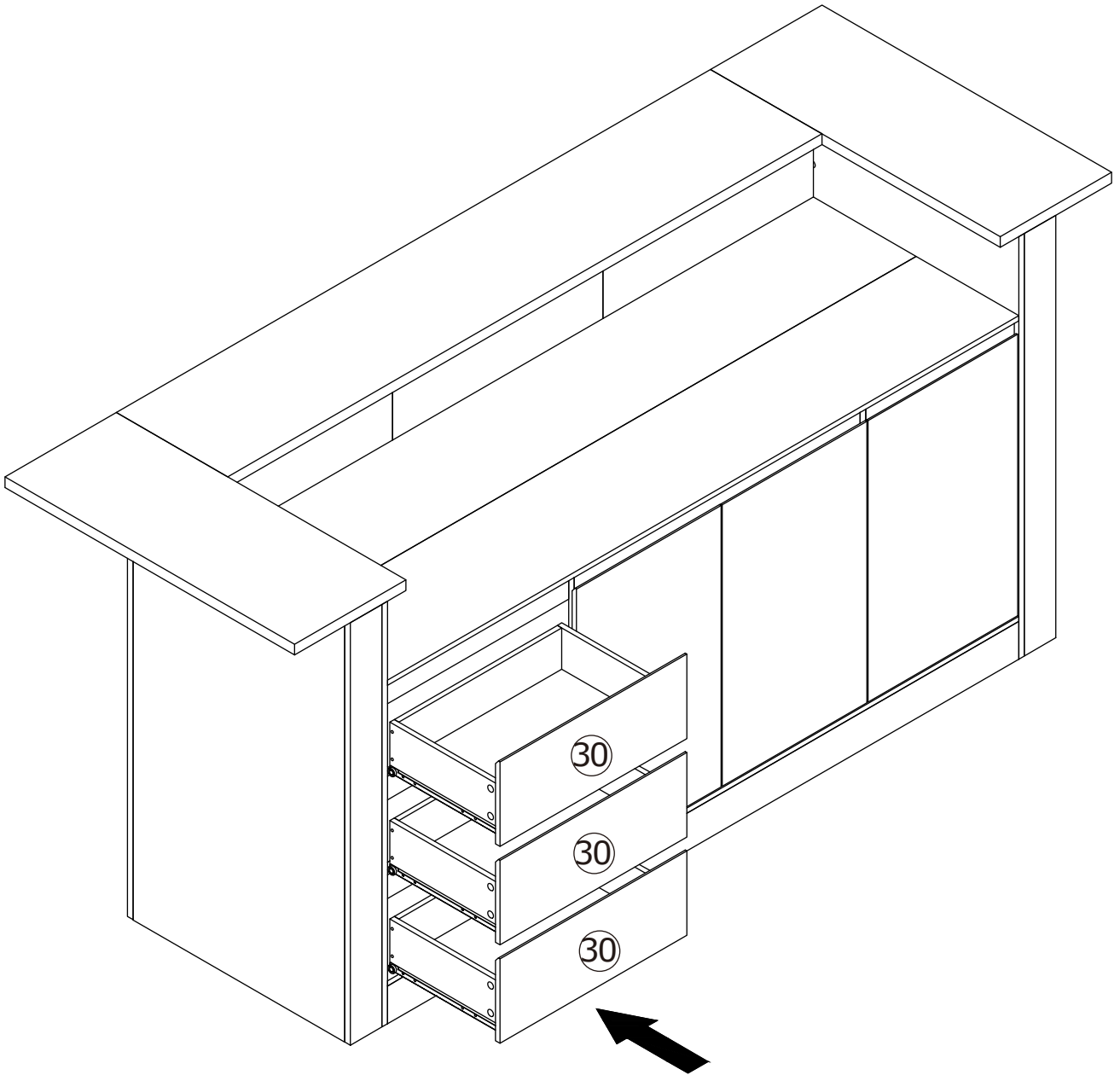
x3

29




x3

30



31

P  x10

