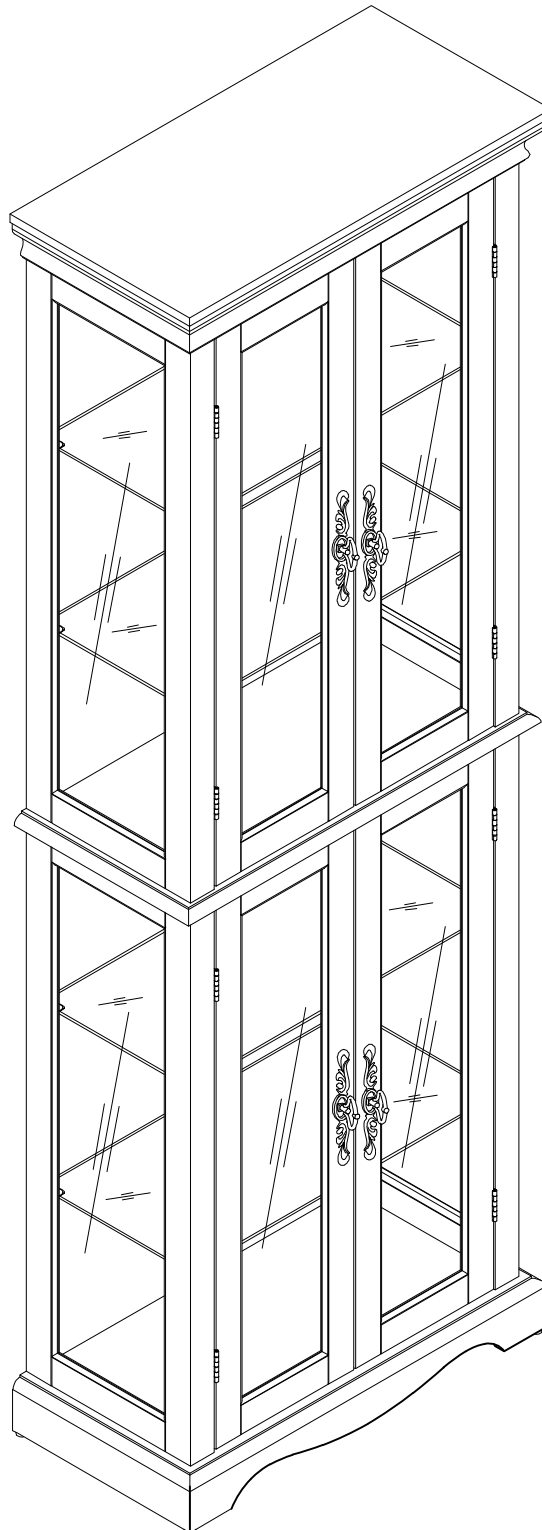


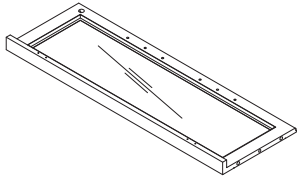
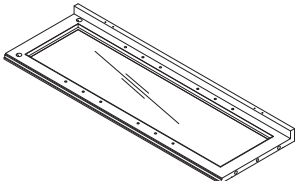
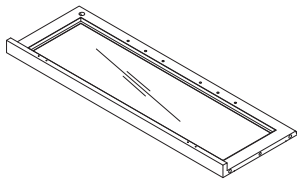
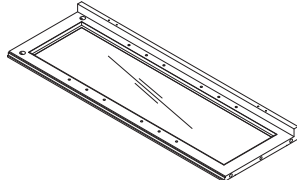
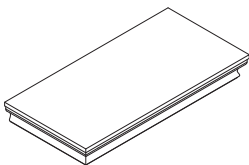
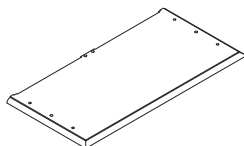
# Square 4 Doors Glass Cabinet

## Assembly Instruction

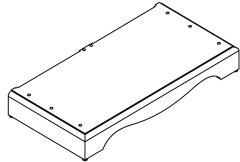
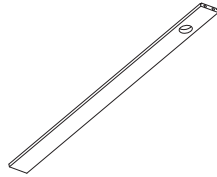
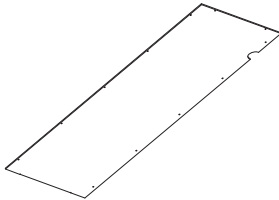
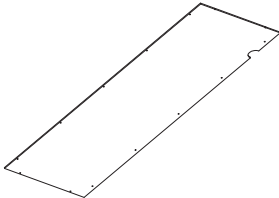
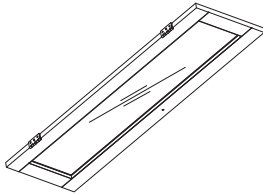
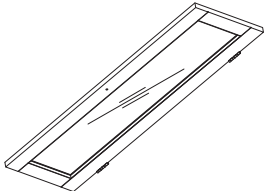


# ASSEMBLY INSTRUCTION

## Part List:

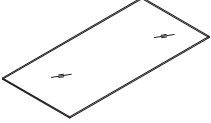
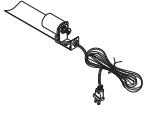
| ITEM | DESCRIPTION      | PART  | QTY |
|------|------------------|---|-----|
| 1    | Upper left side  |    | 1   |
| 2    | Upper right side |    | 1   |
| 3    | Lower left side  |  | 1   |
| 4    | Lower right side |  | 1   |
| 5    | Top panel        |  | 1   |
| 6    | Middle panel     |  | 1   |

## Part List:

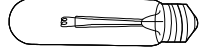
| ITEM | DESCRIPTION      | PART  | QTY |
|------|------------------|---|-----|
| 7    | Base             |    | 1   |
| 8    | Back post        |    | 2   |
| 9    | Upper back panel |  | 2   |
| 10   | Lower back panel |  | 2   |
| 11   | Left door        |  | 2   |
| 12   | Right door       |  | 2   |

## ASSEMBLY INSTRUCTION

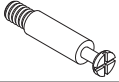




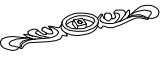


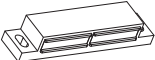
## Part List:

| ITEM | DESCRIPTION | PART  | QTY |
|------|-------------|---|-----|
| 13   | Glass shelf |  | 4   |
| 14   | Lamp unit   |  | 1   |



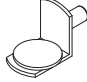



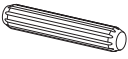


## Part List:

| ITEM | DESCRIPTION | PART   | QTY |
|------|-------------|--|-----|
| 15   | Lamp Bulb   | <br>120V 4W Type T Bulb | 1   |

## Hardware List:

| ITEM | DESCRIPTION      | PART  | QTY |
|------|------------------|---|-----|
| A    | Camlock bolt     |                                  | 9   |
| B    | Camlock          |                                  | 9   |
| C    | Wooden dowel     | <br>$\Phi 8 \times 30 \text{mm}$ | 13  |
| D    | Bolt             | <br>$\Phi 6 \times 32 \text{mm}$ | 9   |
| E    | Allen wrench     |                                  | 1   |
| F    | Knob             |                                  | 4   |
| G    | Machine screw    | <br>$\Phi 4 \times 25 \text{mm}$ | 4   |
| H    | Short wood screw | <br>$\Phi 3 \times 15 \text{mm}$ | 30  |
| I    | Magnet           |                                  | 2   |

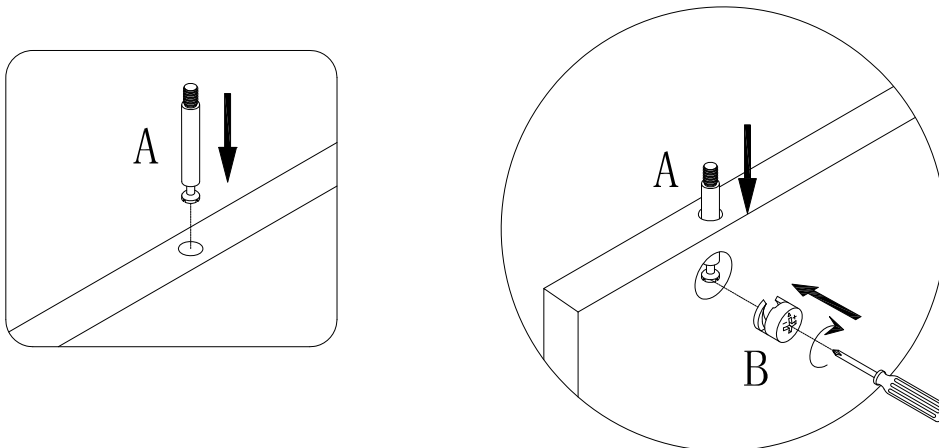
## Hardware List:

| ITEM | DESCRIPTION               | PART  | QTY |
|------|---------------------------|---|-----|
| J    | Handle                    |                                  | 4   |
| K    | Back screw                | <br>$\Phi 3 \times 12 \text{mm}$ | 54  |
| L    | Shelf support             |                                  | 17  |
| M    | Safety wall strap         |                                  | 1   |
| N    | Plastic anchor            |                                  | 1   |
| O    | Mounting screw            | <br>$\Phi 4 \times 38 \text{mm}$ | 1   |
| Q    | Wooden dowel              | <br>$\Phi 8 \times 50 \text{mm}$ | 2   |
| R    | Short wood screw          | <br>$\Phi 3 \times 12 \text{mm}$ | 2   |
| S    | Sticker for B:<br>Camlock | <br>$\Phi 20 \text{mm}$          | 9   |

Tip: It is recommended to keep all hardware in a box to avoid loss during installation.

- \* Required screwdriver & mallet, not included.
- \* Before discarding packing materials, please check to make sure that all parts and hardware is present.
- \* Two people needed for assembly.
- \* Please follow the instructions closely; do not over tighten screws or bolts unless instructed.
- \* Caution: If using a power drill or power screwdriver for screwing, please be aware to slow down and stop when screw is tight. Failure to do so may result in stripping the screw.

## Guideline For Assembling of Cam Lock(A & B)






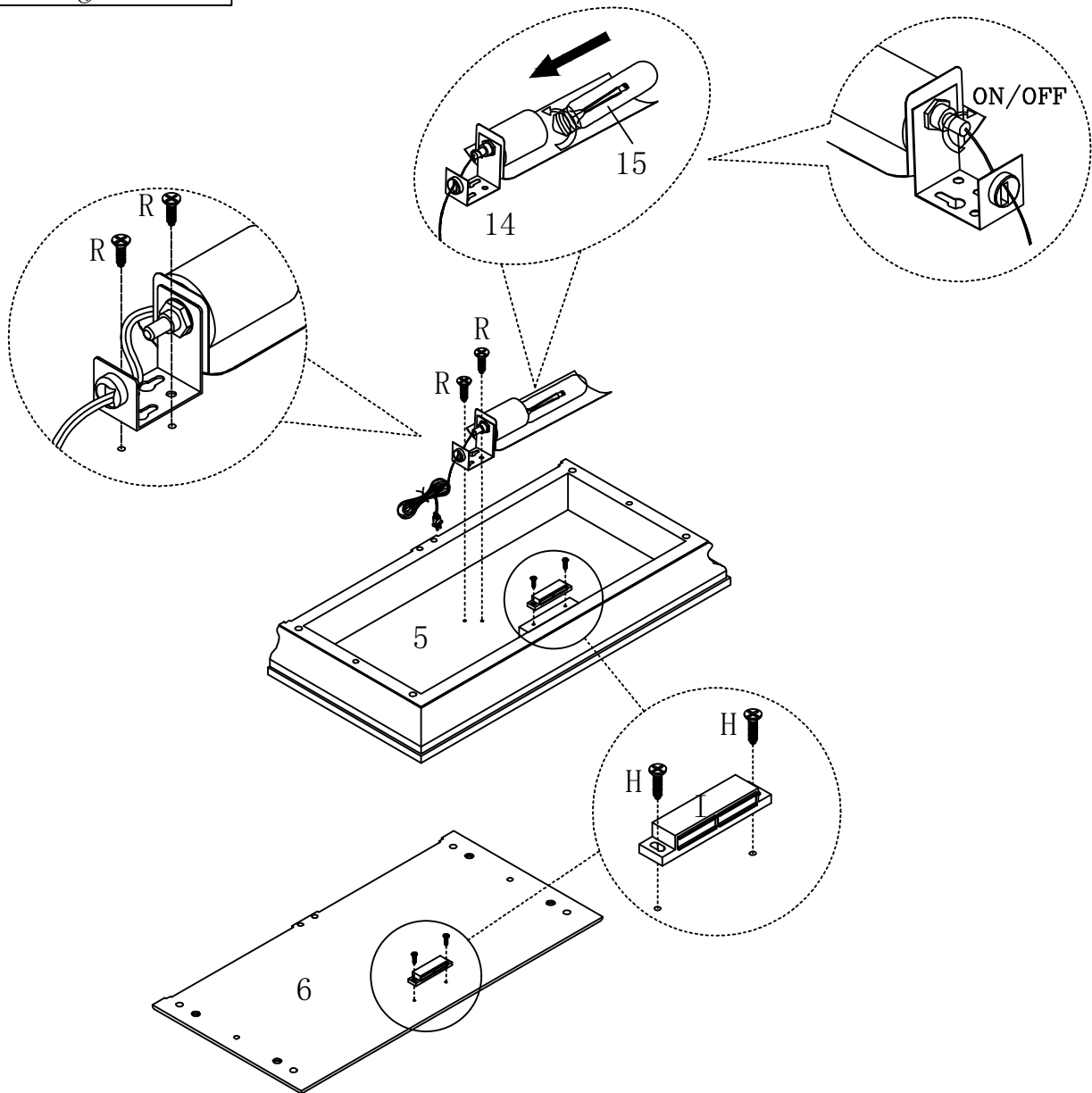
Screw camlock bolt (A) to wood part.

Do not assemble camlock (B) unless instructed.

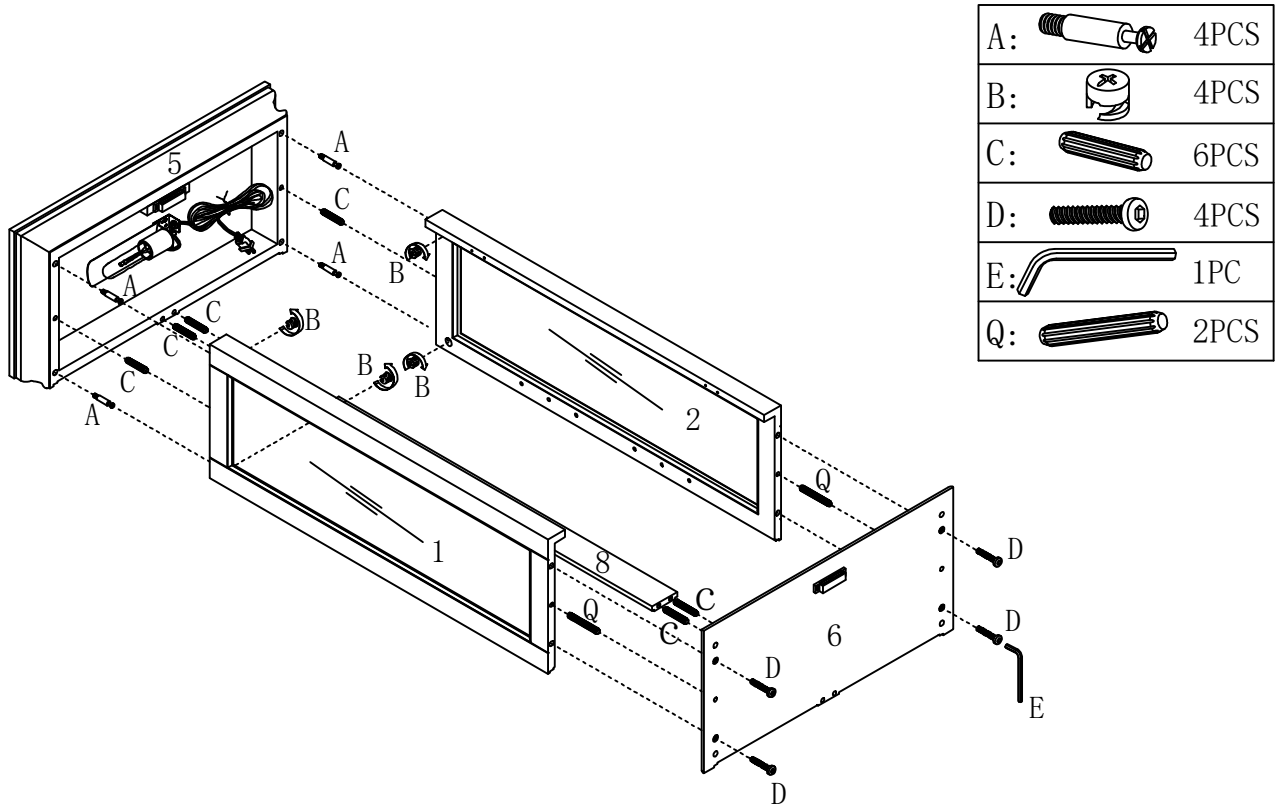
To assemble camlock (B), ensure long side of the + is facing the bolt (A) before inserting into hole.

## STEP 1

|    |   |      |
|----|---|------|
| H: |  | 4PCS |
| I: |  | 2PCS |
| R: |  | 2PCS |

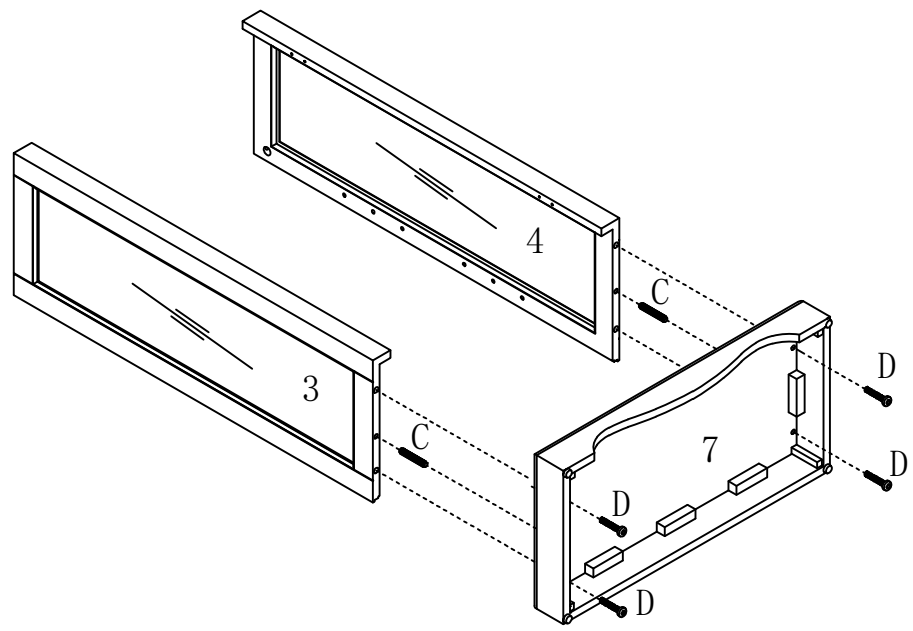


## STEP 2






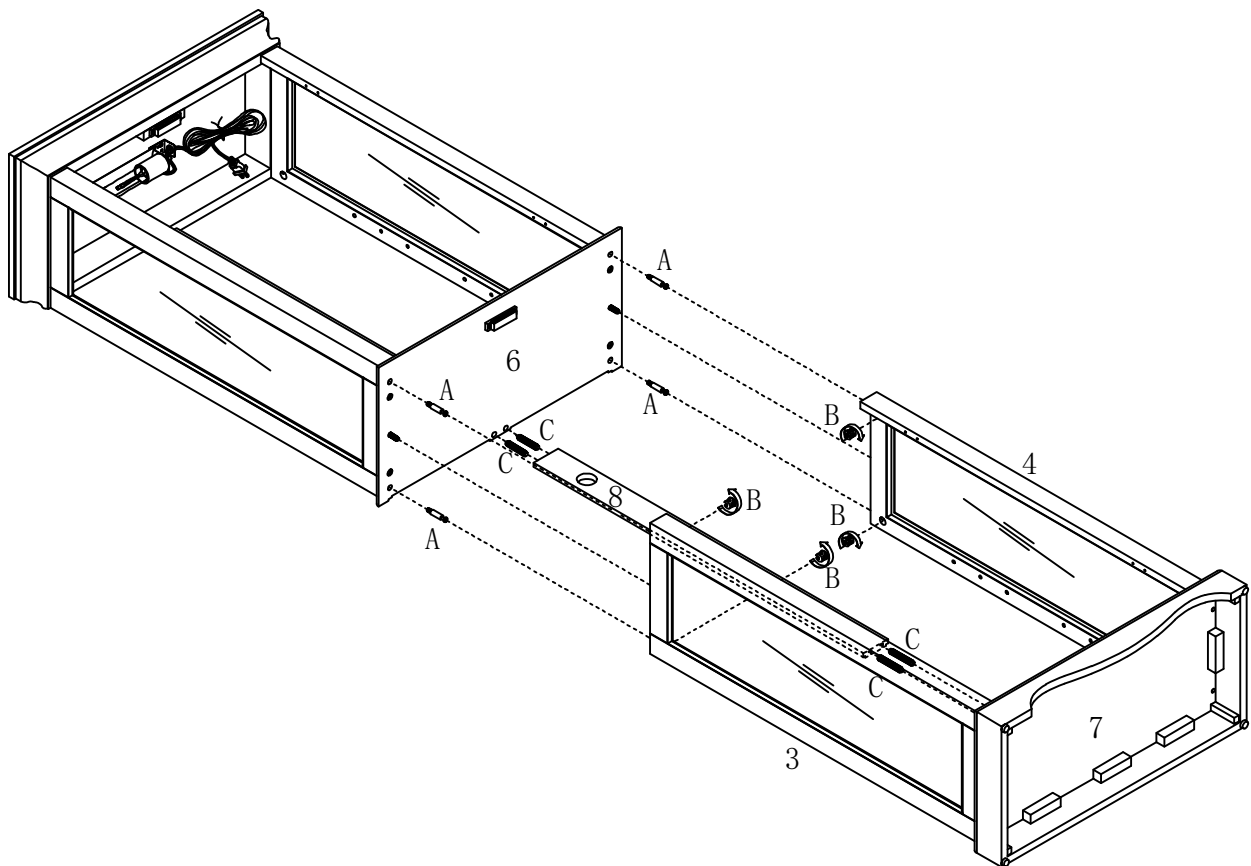
## STEP 3

|    |  |      |
|----|--|------|
| C: |  | 2PCS |
| D: |  | 4PCS |





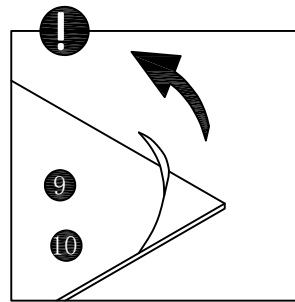
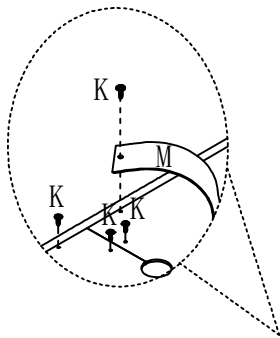
## STEP 4

|    |   |      |
|----|---|------|
| A: |  | 4PCS |
| B: |  | 4PCS |
| C: |  | 4PCS |

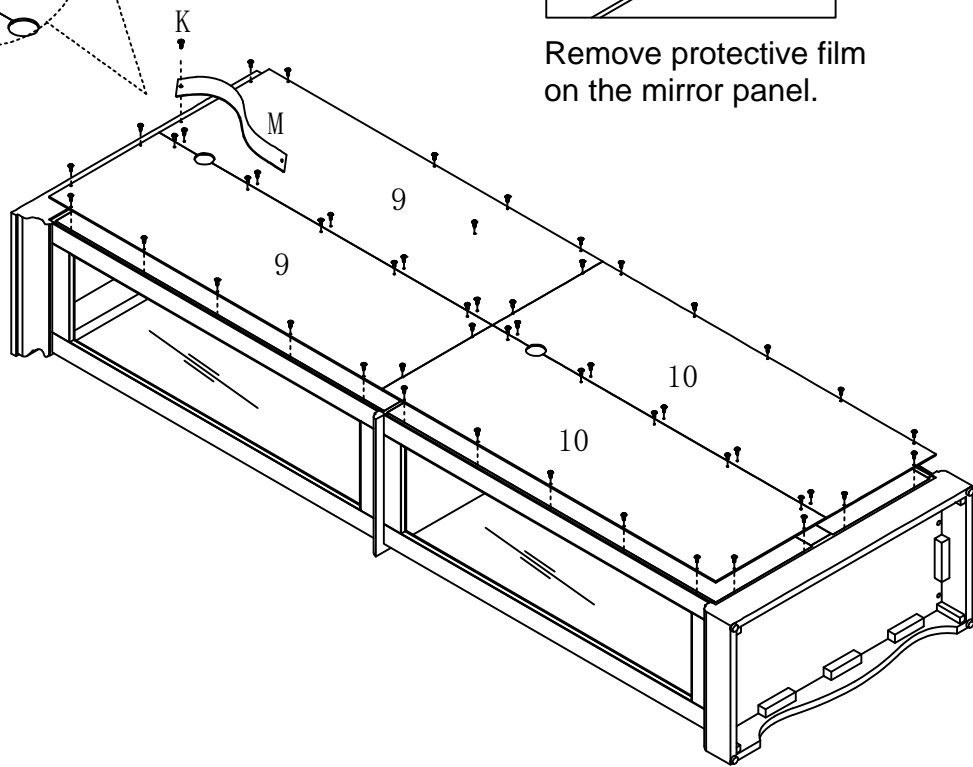


STEP5





|    |   |       |
|----|---|-------|
| K: |  | 52PCS |
| M: |  | 1PC   |

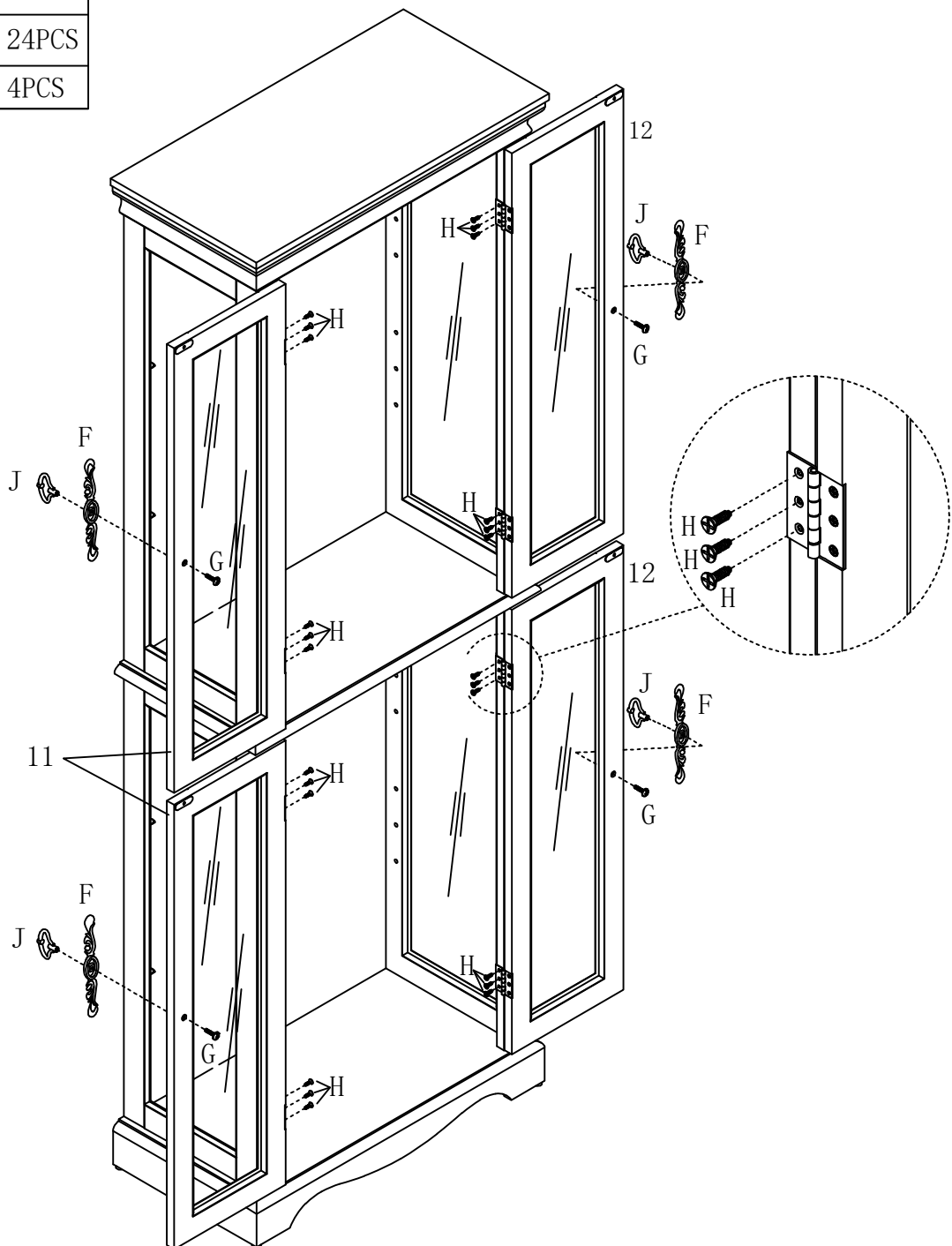


Remove protective film on the mirror panel.




## STEP 6

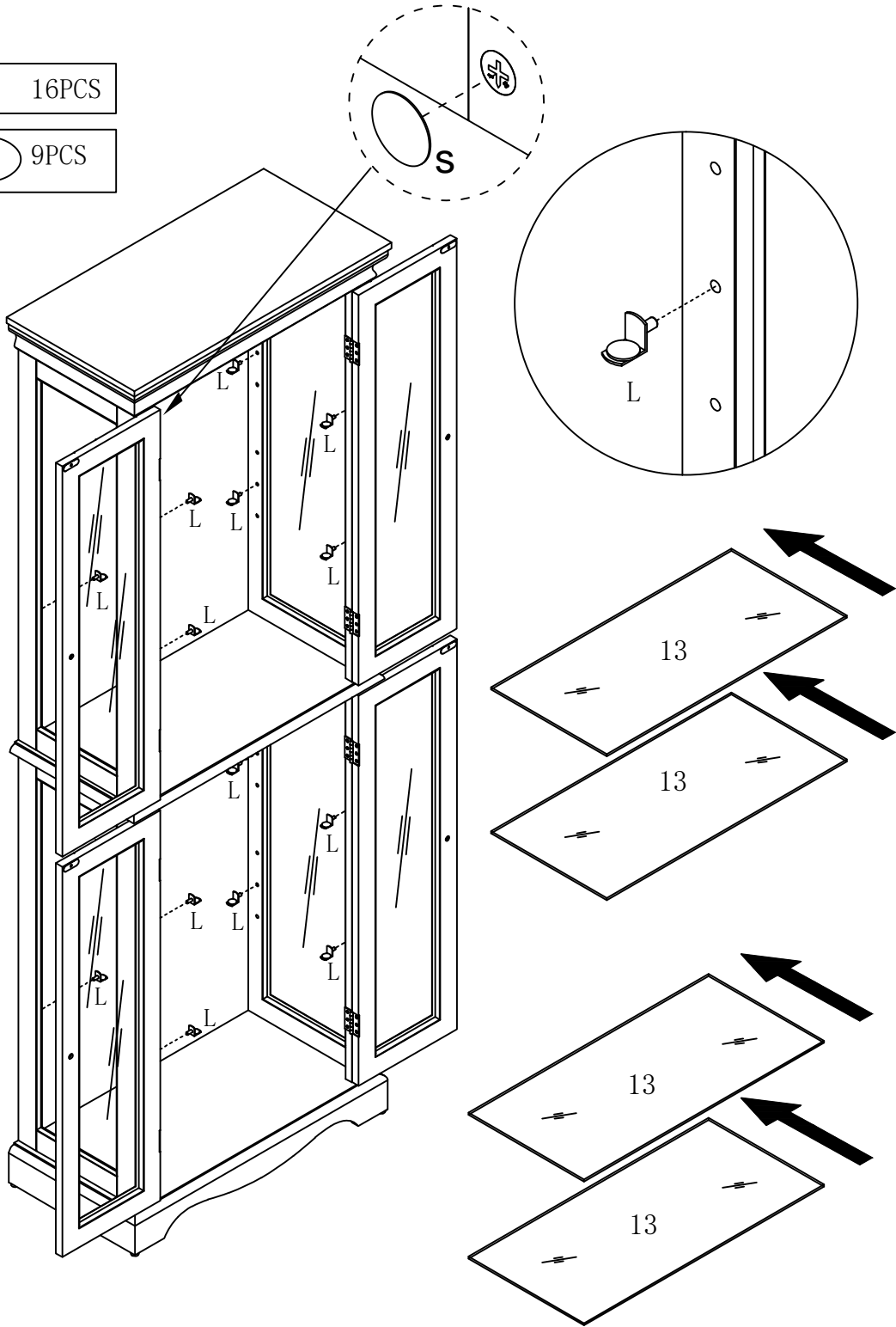
|    |   |       |
|----|---|-------|
| F: |  | 4PCS  |
| G: |  | 4PCS  |
| H: |  | 24PCS |
| J: |  | 4PCS  |





STEP 7

L:  16PCS

S:  9PCS



## STEP8

|    |   |     |
|----|---|-----|
| N: |  | 1PC |
| O: |  | 1PC |

