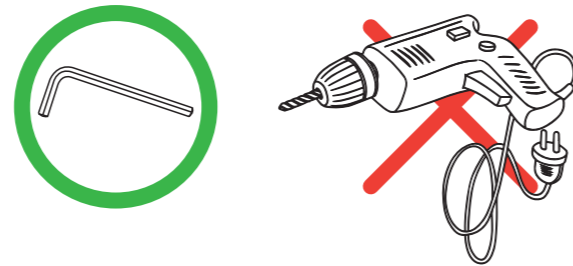


To deodorize the leather
leave the chair in a shady
outside for 1-2 days.



For longer use

Re-tighten bolts every 6 months by using
the enclosed allen-key.
*Using an electric drill can damage the chair.
Please re-tighten bolts manually.



Safety Information



Sit in the center of the
chair, with your back to
the backrest



Do not sit at the front
edge of the chair



Do not stand on the
chair



Do not use the chair
with more than one
person



Do not push the chair
around when a person
is sitting in it



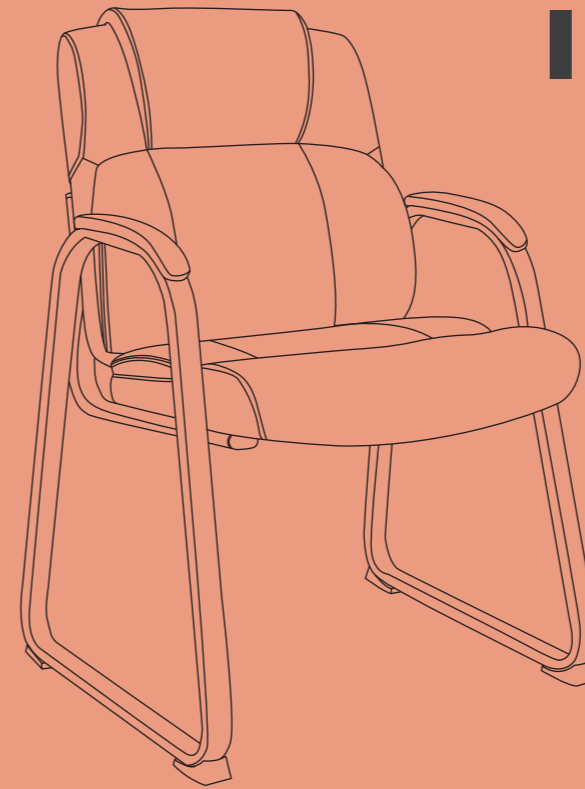
Do not push down on
the backrest when a
person is reclined



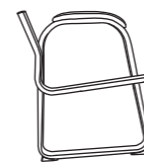
Do not place all your
weight on only the
backrest

INSTRUCTION MANUAL

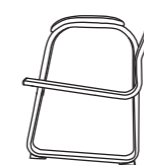
INSTRUCTION MANUAL



Package List



(A)*1 Armrest (L)



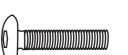
(B)*1 Armrest(R)



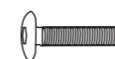
(C)*1 Backrest



(D)*1 Seat Cushion



M6x35mm
(E)*4 Bolts



M6x25mm
(F)*4 Bolts



(G)*4 Washer

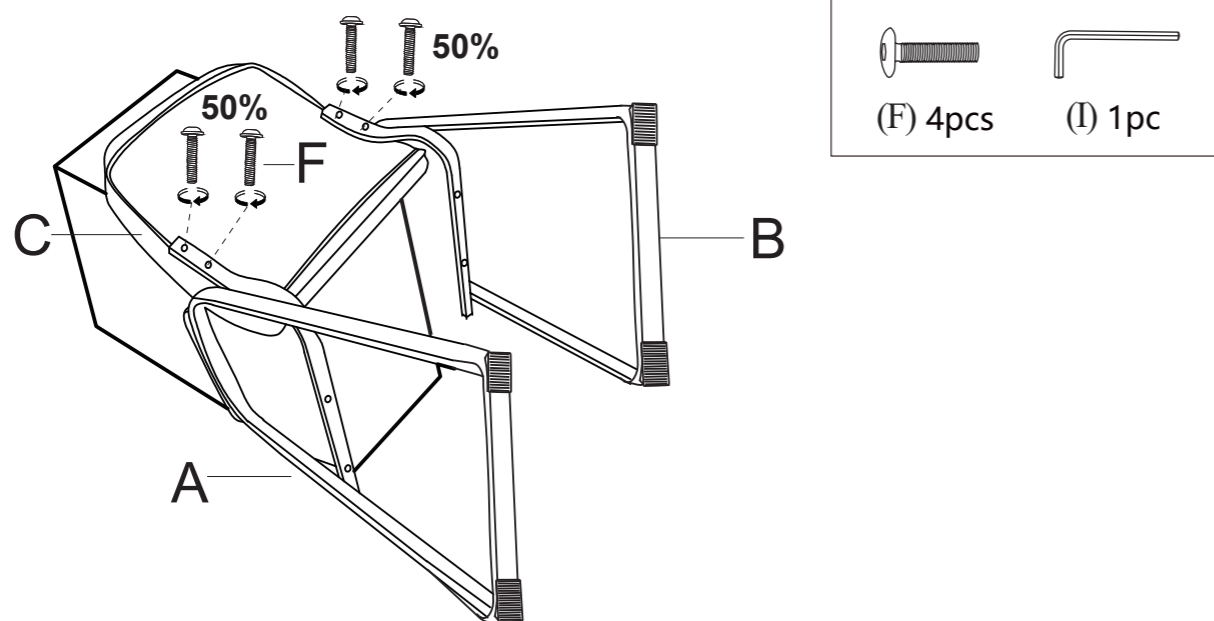


(H)*4 Caps



(I)*1 Wrench

Assembly Instruction

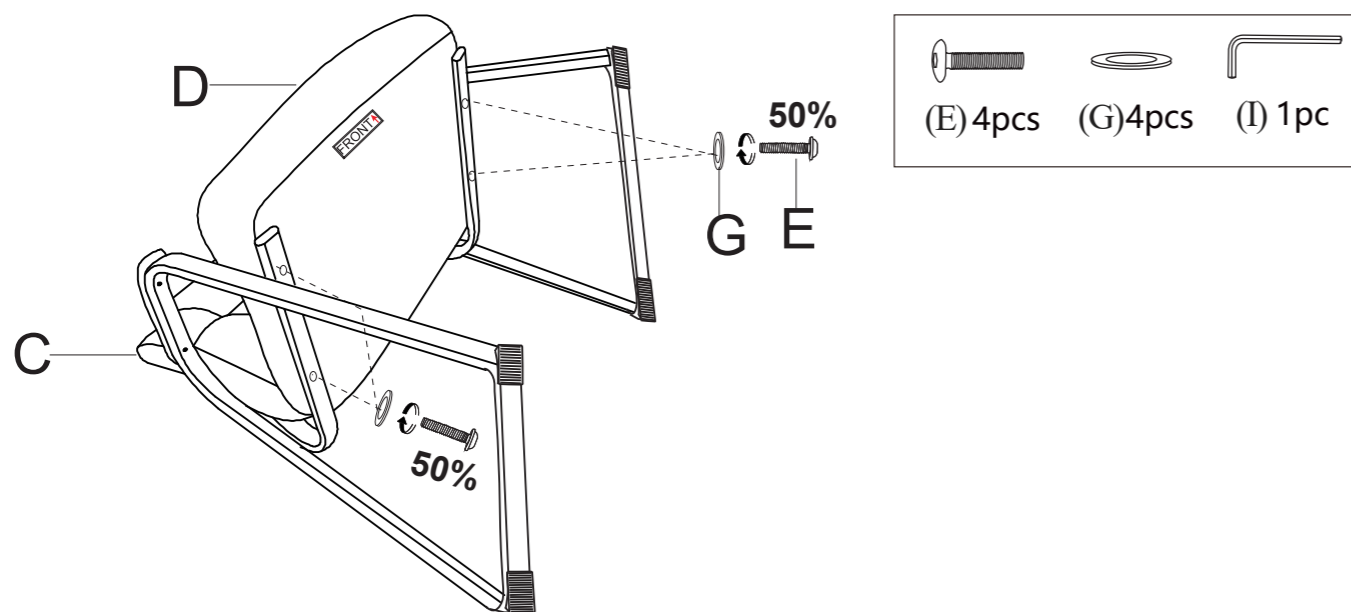


(F) 4pcs (I) 1pc

1

Using Wrench (I), install Right Armrest(B)*1(R) to the right side of the Backrest (C) with Bolts (F)*2, and install Left Armrest(A)*1(L) to the left side of it with Bolts (F)*2.

Note: Bolts are only tightened 50%.



(E) 4pcs (G) 4pcs (I) 1pc

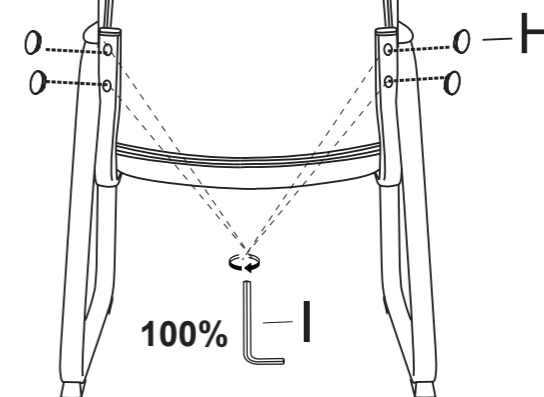
2

Put Bolts (E)*4 into the Washer (G)*4. Using Wrench (I), attach Seat Cushion (D) to both sides of the installed Armrests (A&B) with Bolts (E)*4.

Note: Bolts are only tightened 50%..

The Seat Cushion is marked with "FRONT".
Please make sure the installation direction is correct.

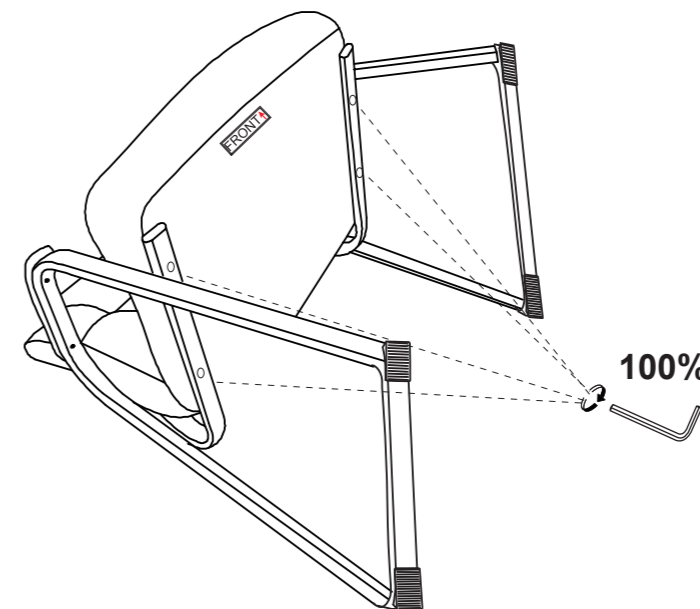
(H) 4pcs (I) 1pc



3

100% tighten the Bolts (F)*4 on both sides of the Backrest (C). Then press Caps (H)*4 into Armrests holes to cover the Bolts.

(I) 1pc



4

100% tighten the Bolts (E)*4 on both sides of the Seat Cushion (D).

CAUTION:

- * Before using the chair, check to ensure that all bolts are fully tightened.
- * Lubricate all parts and tighten all bolts every 6 months or whenever needed.