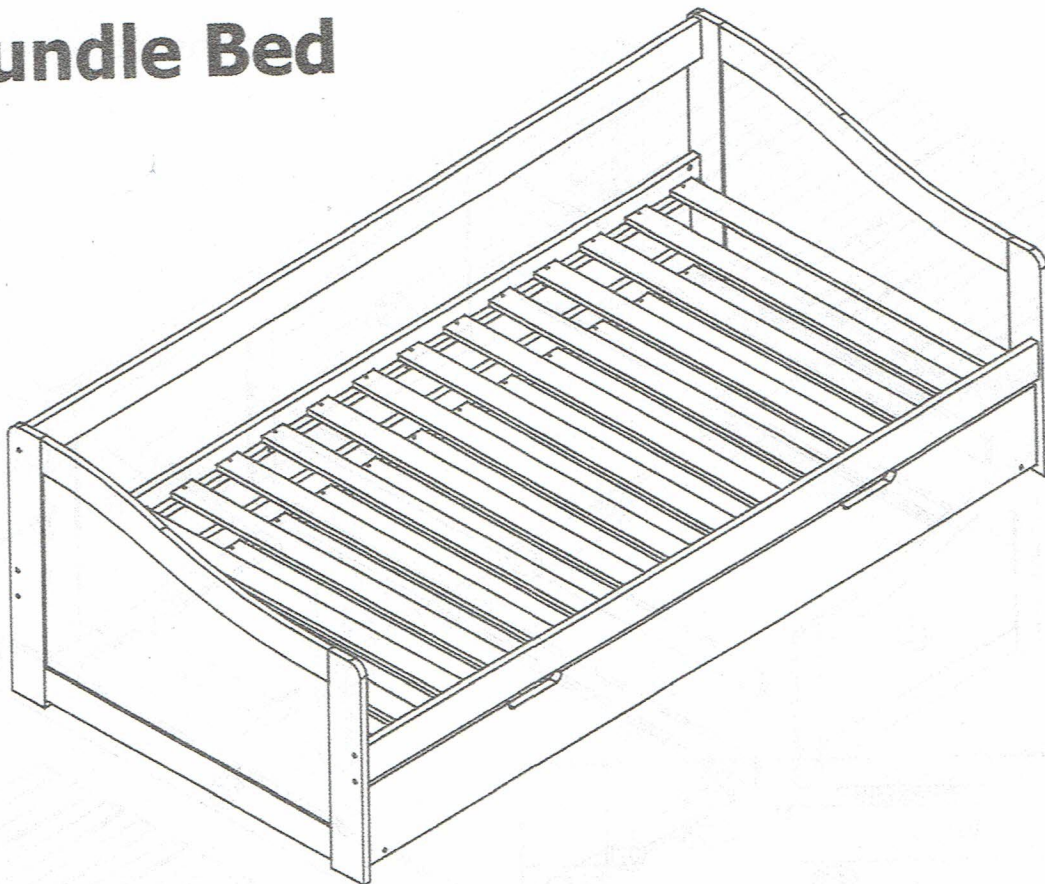

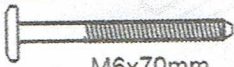

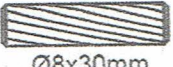



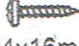




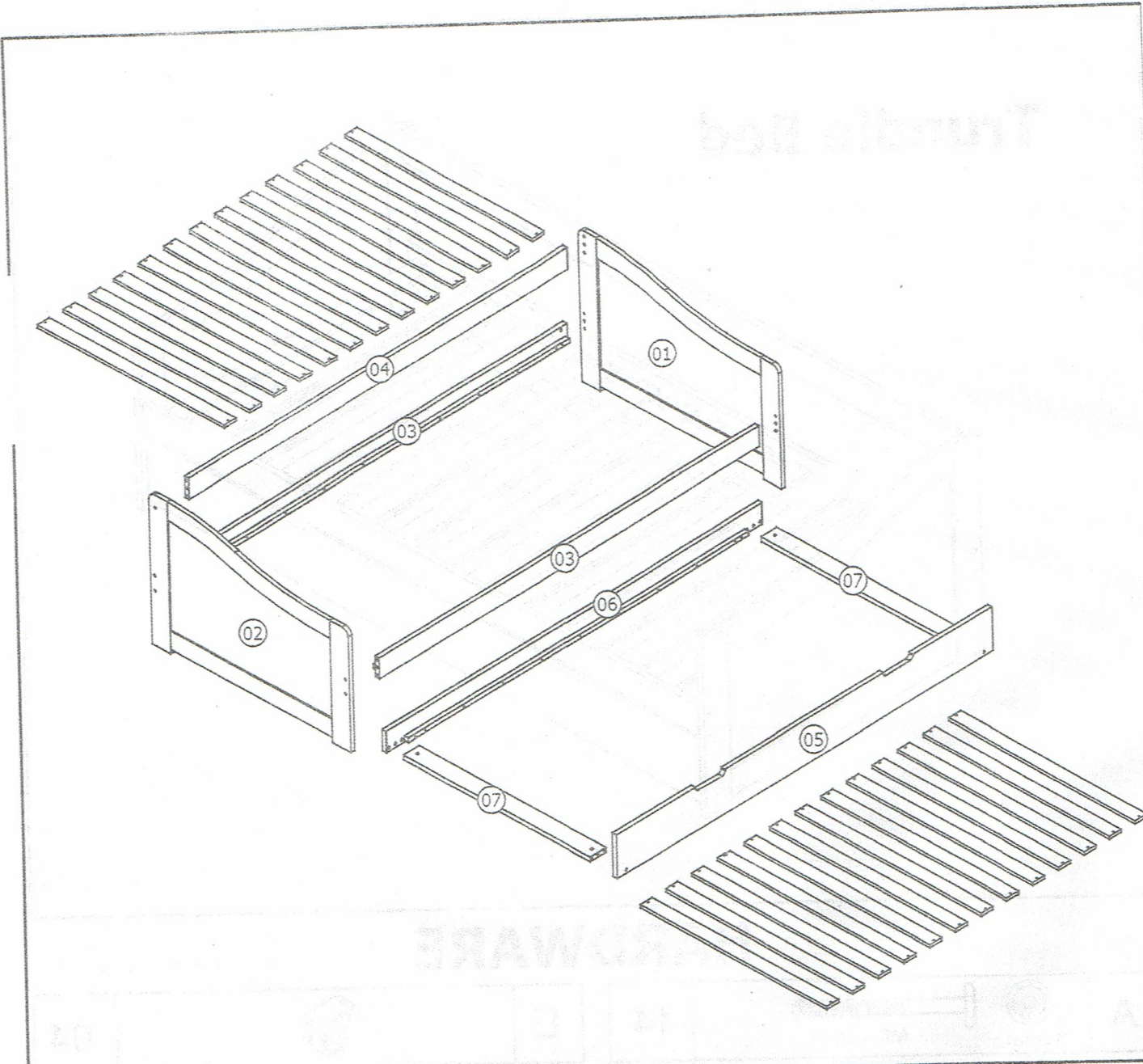
# Trundle Bed



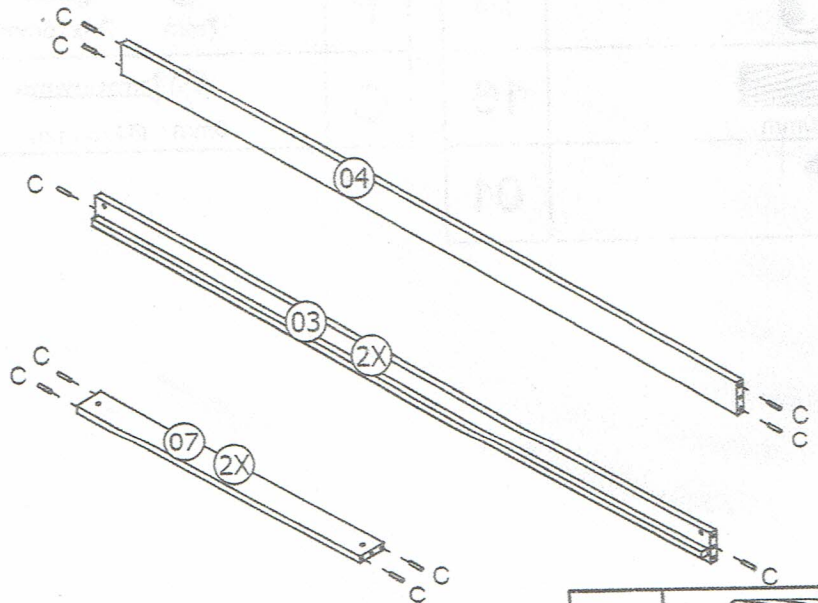
## HARDWARE


A	 15mm	 M6x70mm	14
B			14
C	 Ø8x30mm		16
D			01

E			04
F	 7mm	 Ø4x16mm	08
G	 8mm	 Ø4x30mm	52

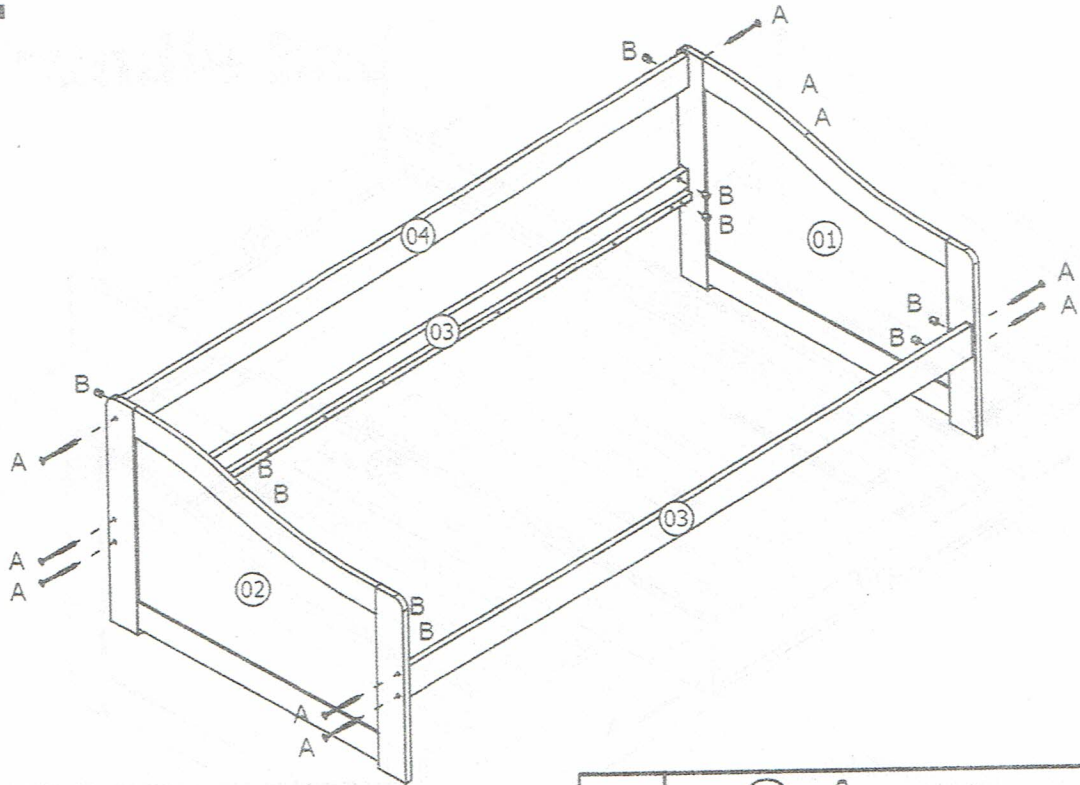



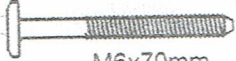

# 01



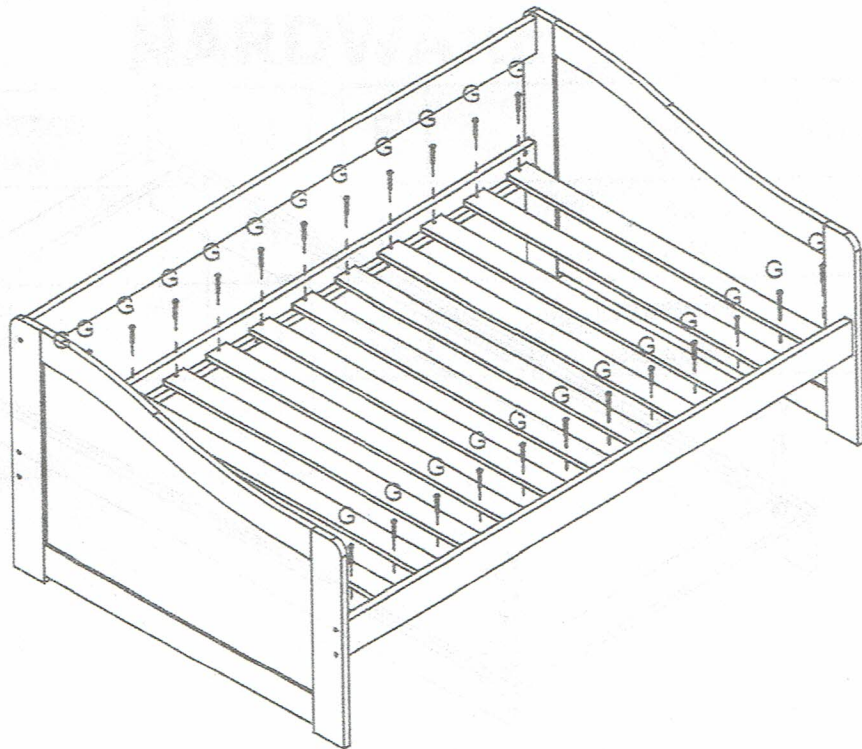
L	 Ø8x30mm	16
---	--	----



# 02



A	 	10
B		10

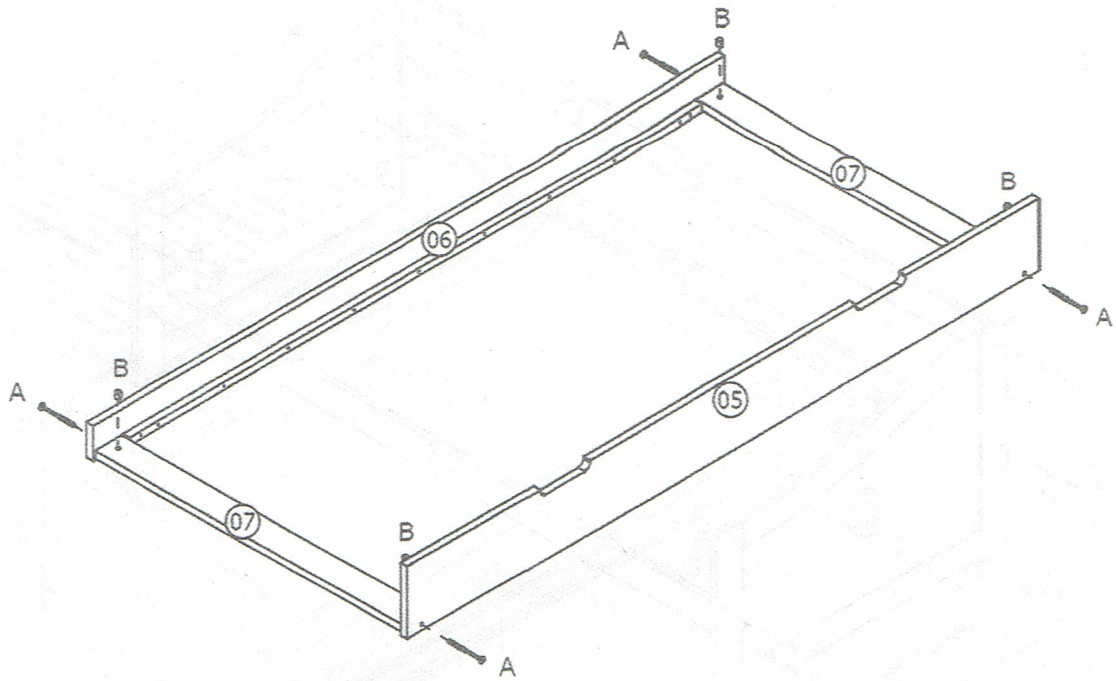
# 03






G	 	26
---	---	----

# 04

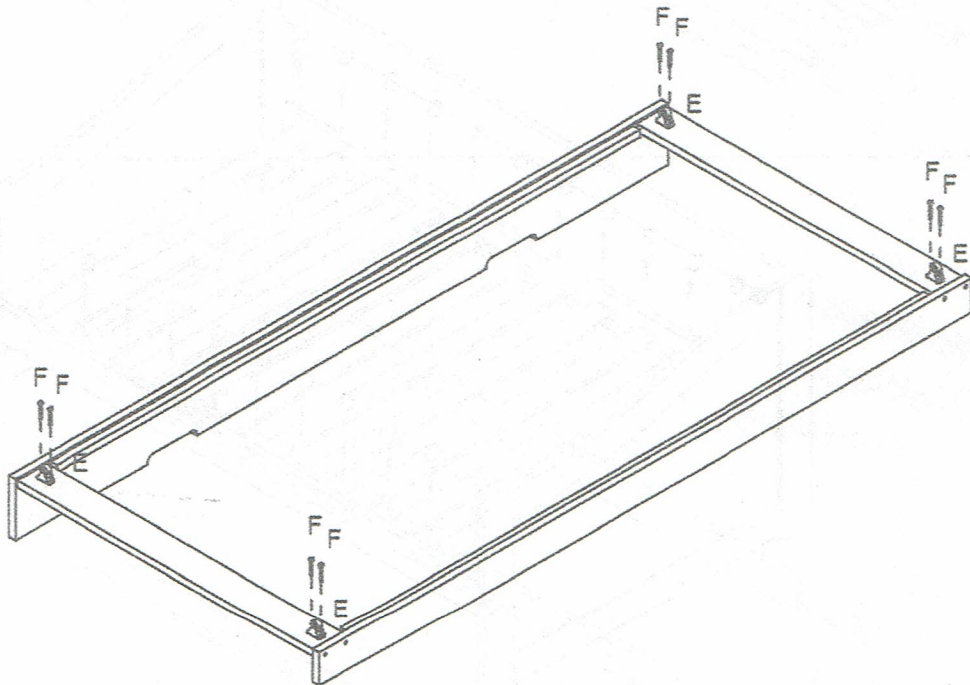
50






A	 15mm	 M6x70mm	04
B			04

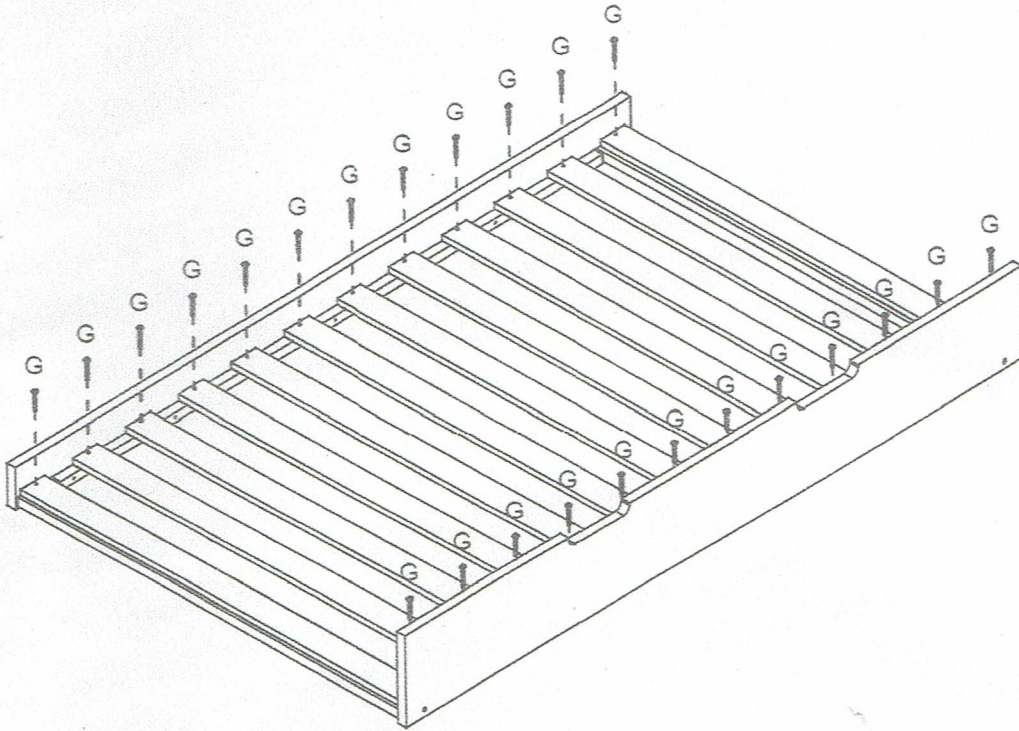
# 05

50

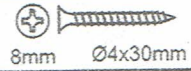


E			04
F	 7mm	 Ø4x16mm	08

# 06



G



26

# 07

