

BU2944

BU2928



H113
x10



V137
x8



G31
x4



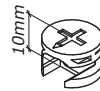
H54
x8



V5
x8



V38
x4



T98
x4



T28
x4



G128
x4

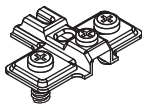


H14
x1

BU0523



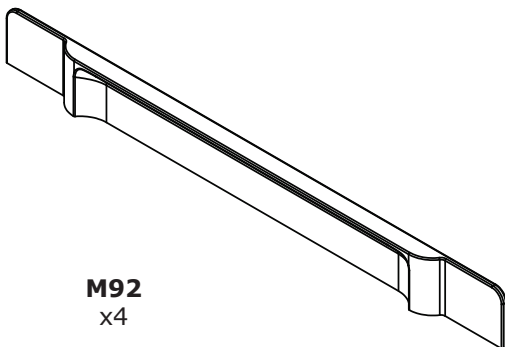
C39
x4



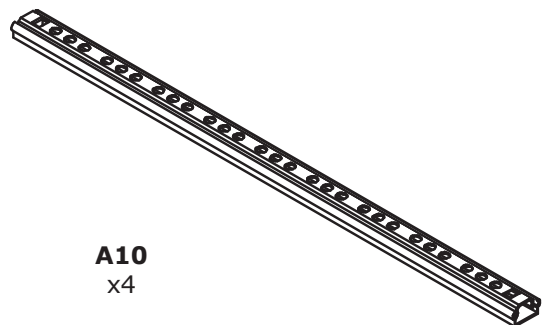
B9
x4



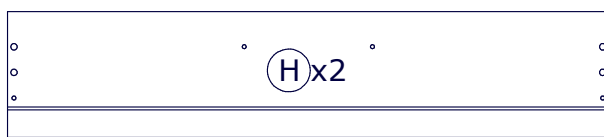
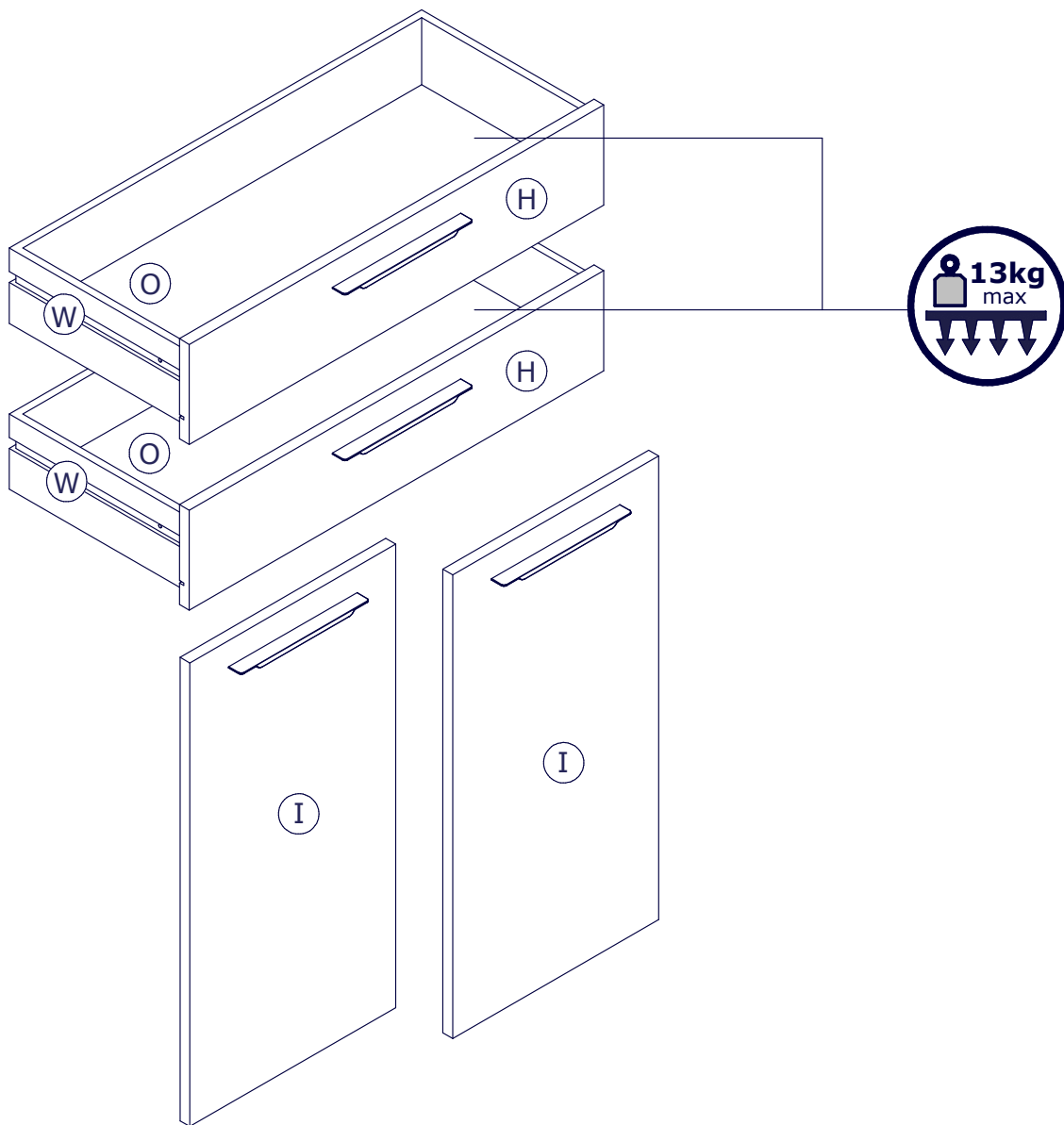
V5
x8



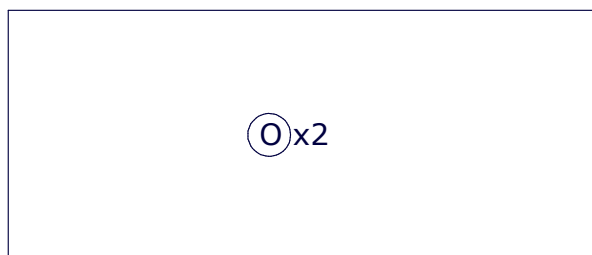
M92
x4



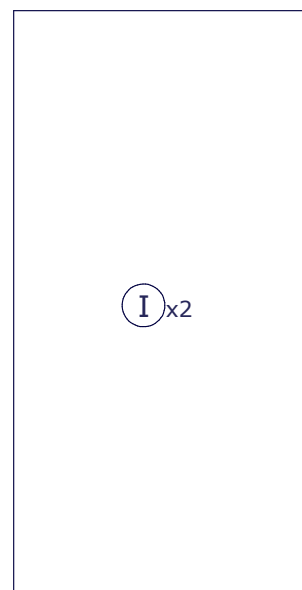
A10
x4



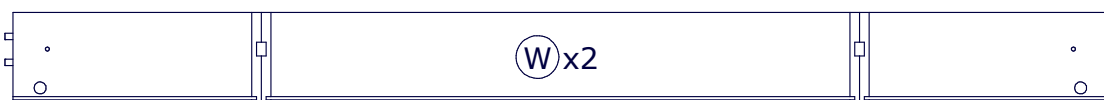
• **CS2241**
751x157x18mm



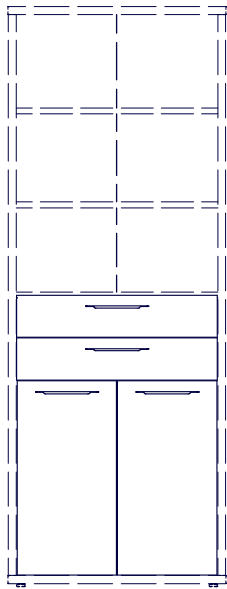
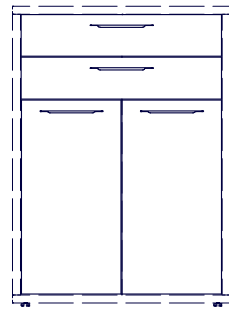
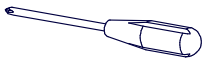
• **SH2536**
734x311x3mm



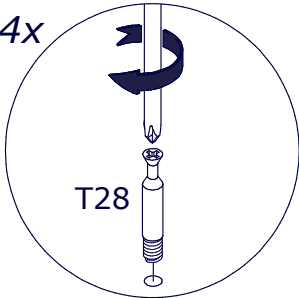
• **AN2053**
727x373x18mm



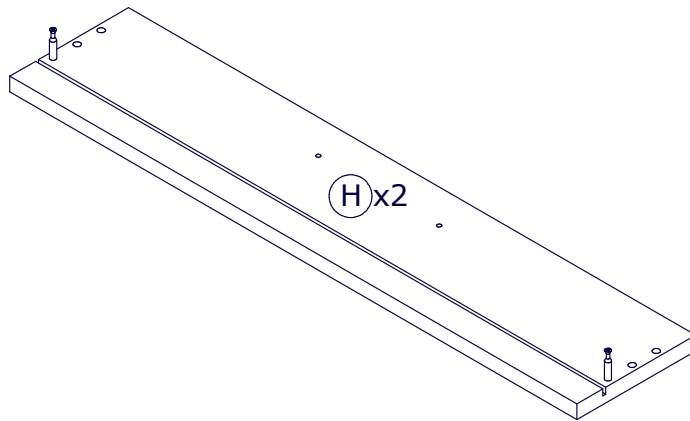
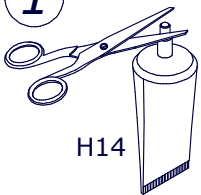
• **OF0277**
310x747x310mm H.118mm

A**B****1**

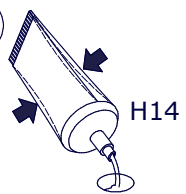
4x



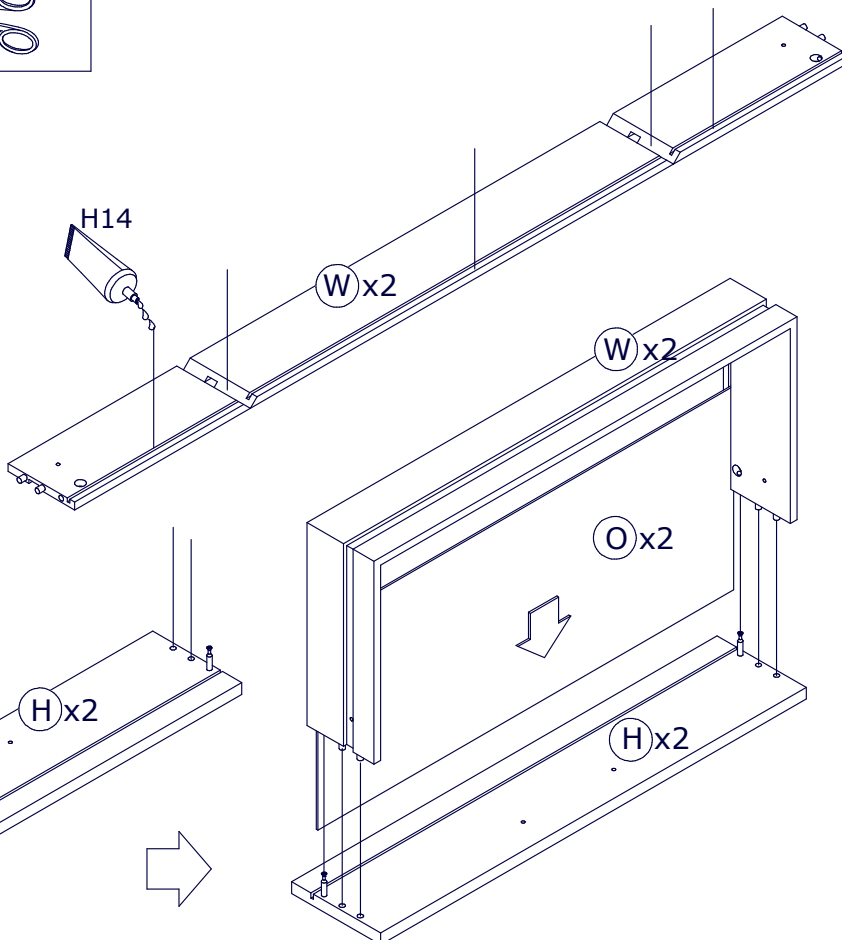
T28

**2****1**

H14

2

H14



4x

G128

4x

W x2

T98

H x2

T28

4x

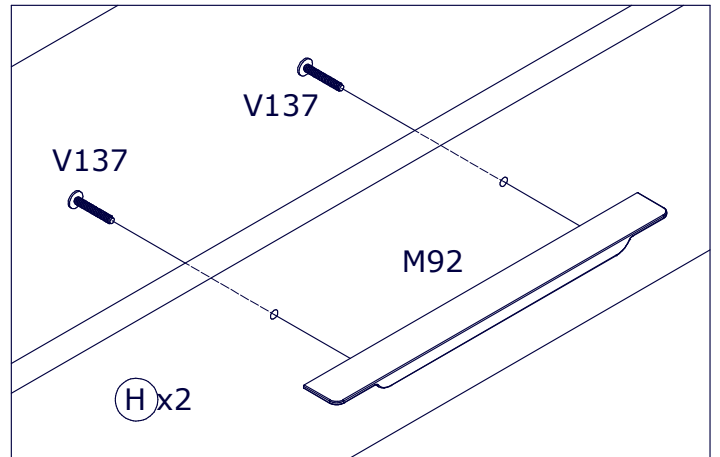
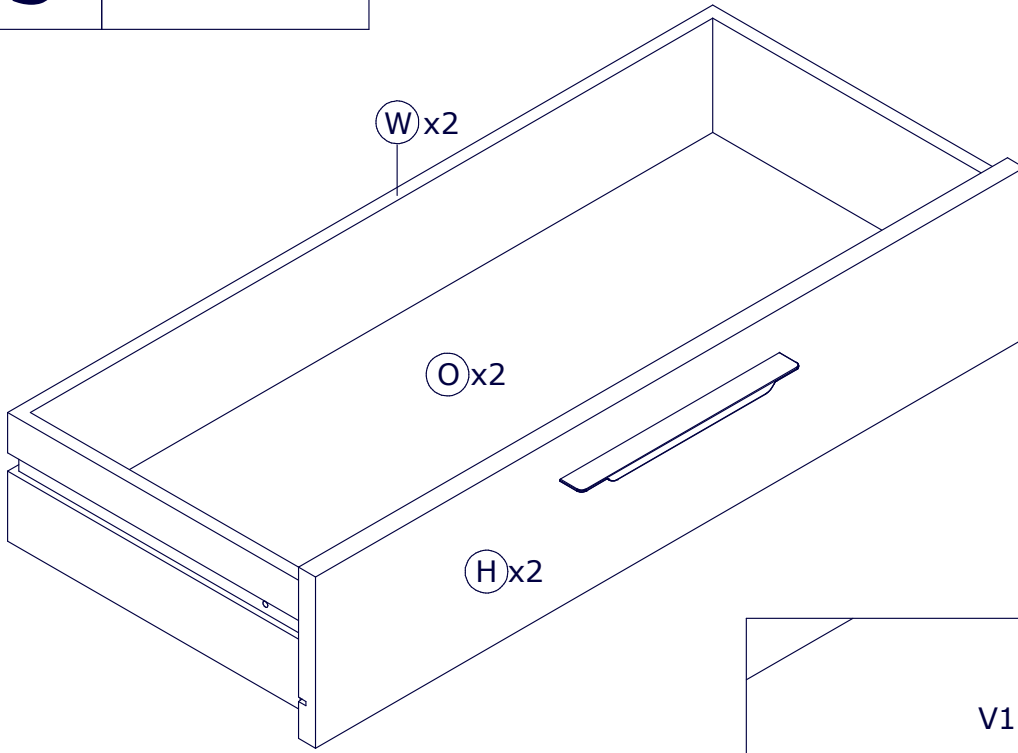
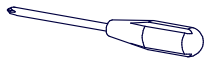
W x2

T98

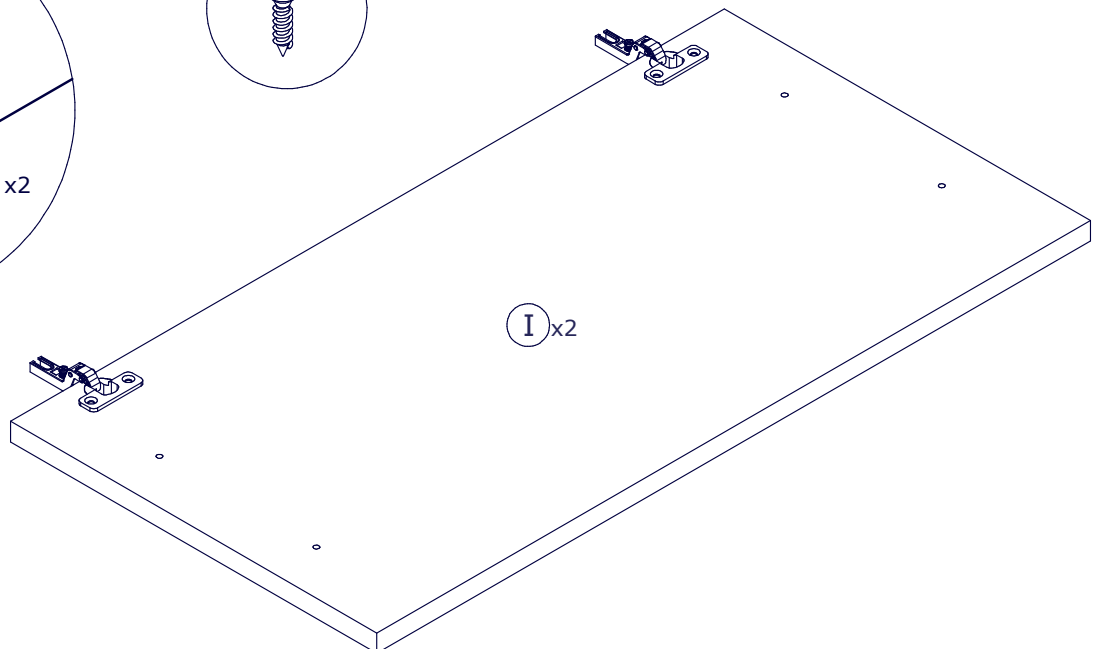
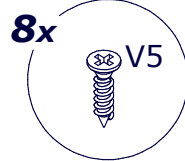
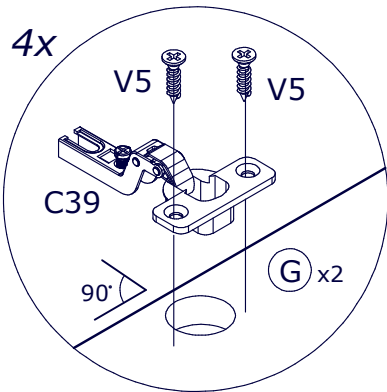
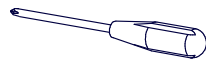
G128

H x2

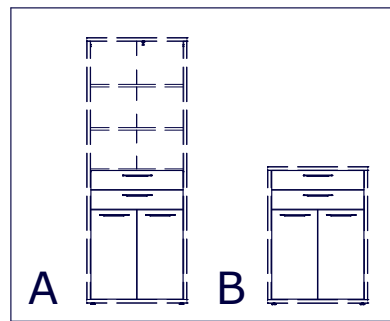
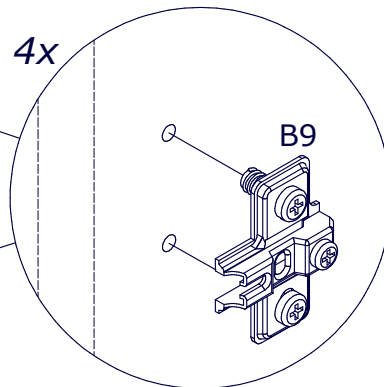
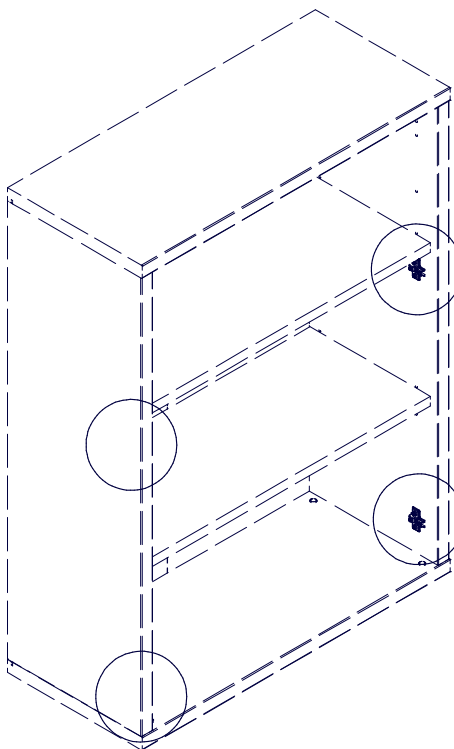
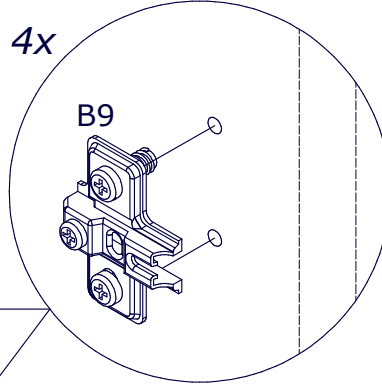
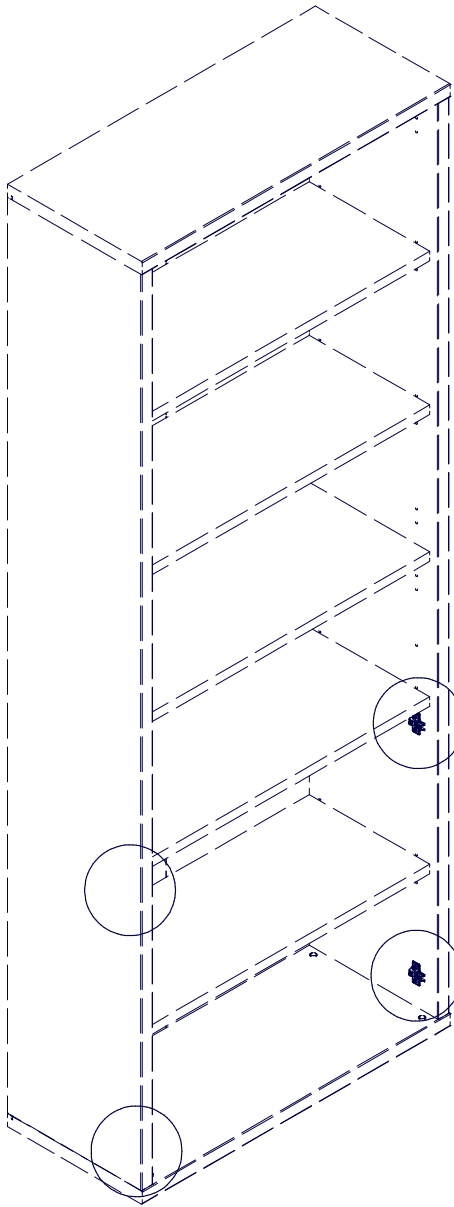
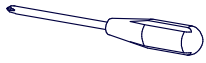
3



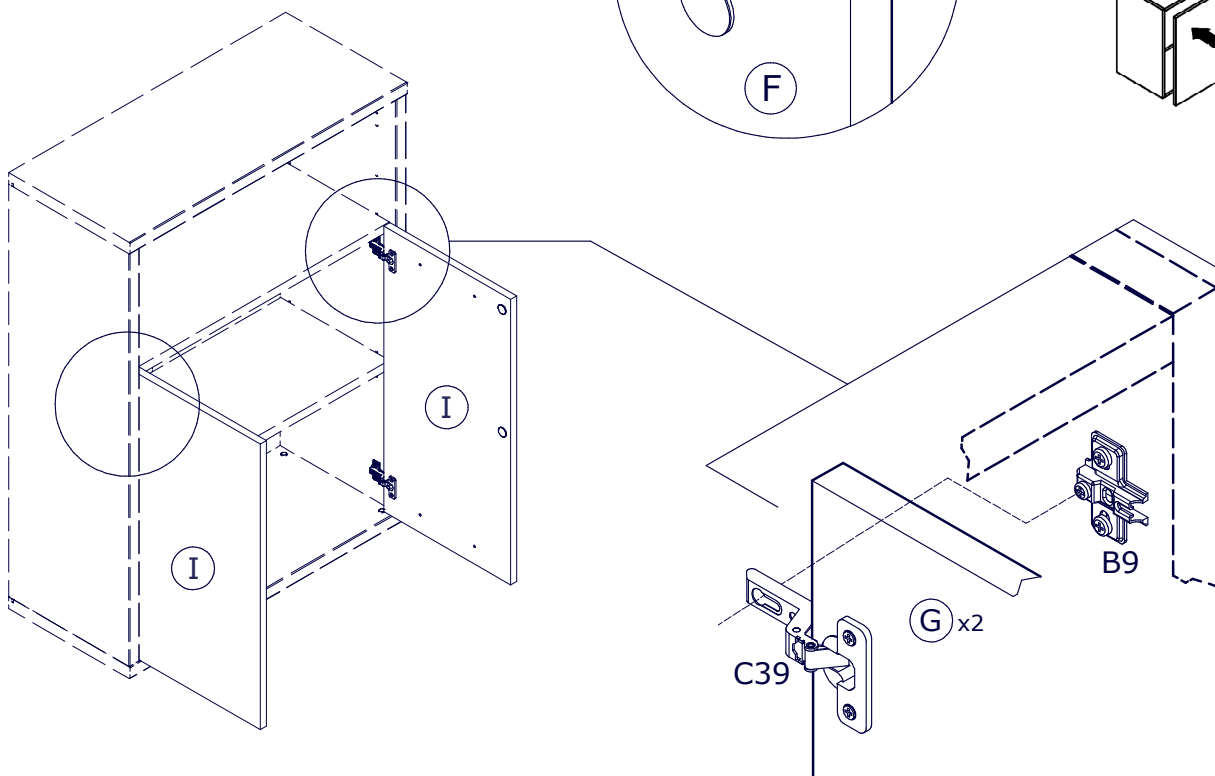
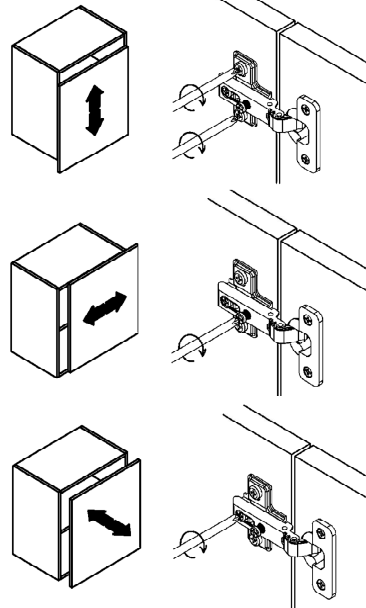
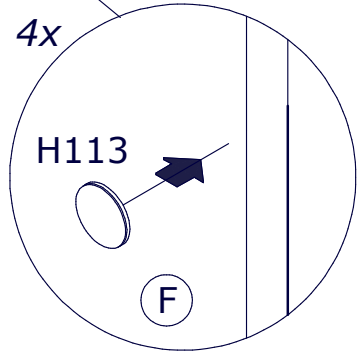
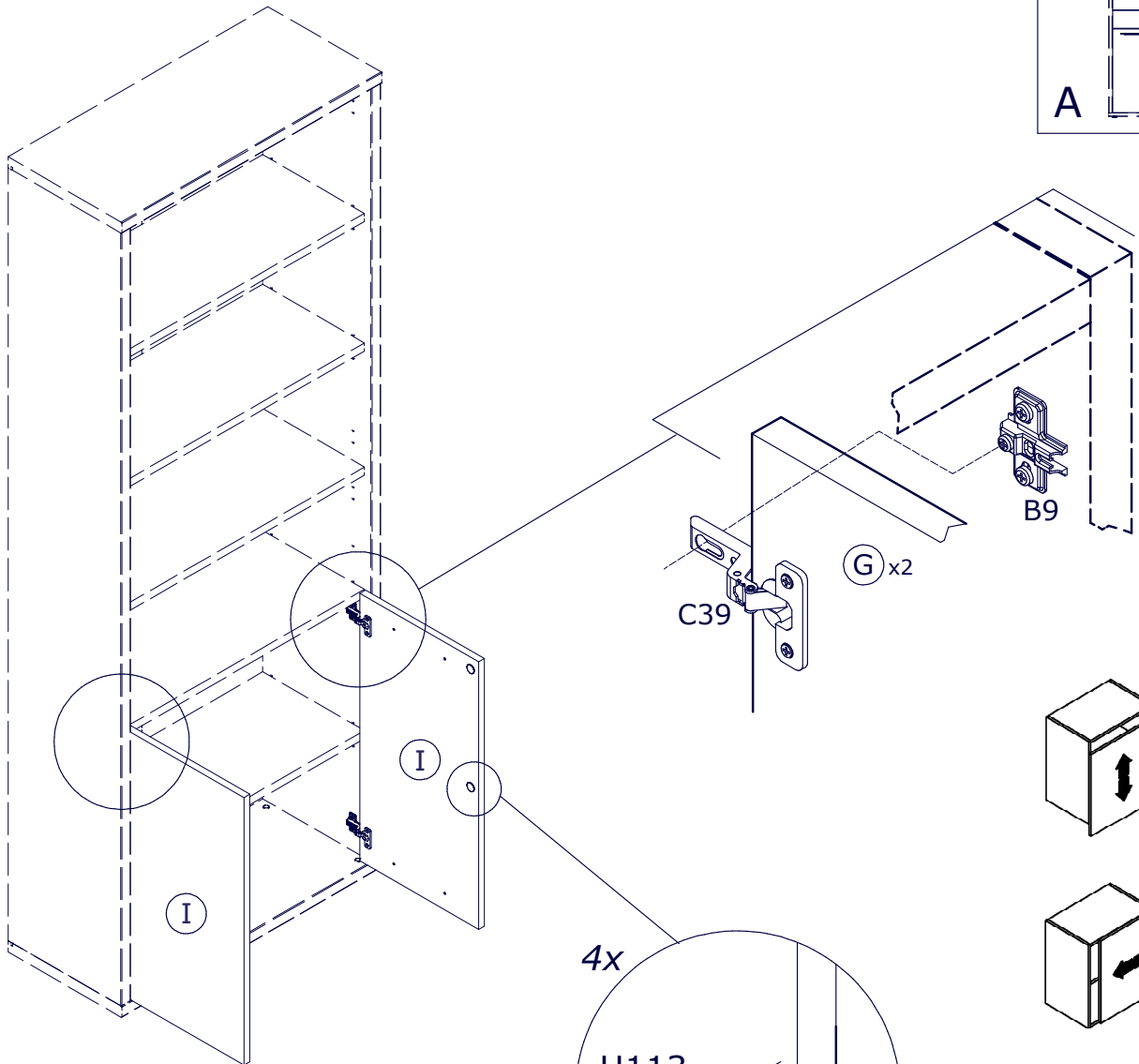
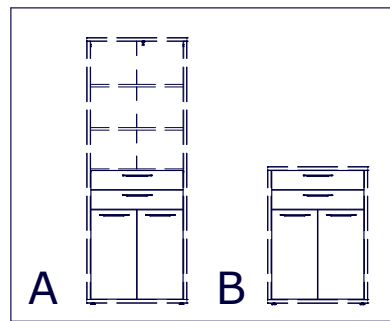
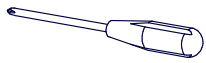
4



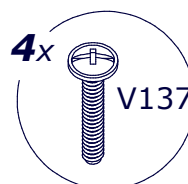
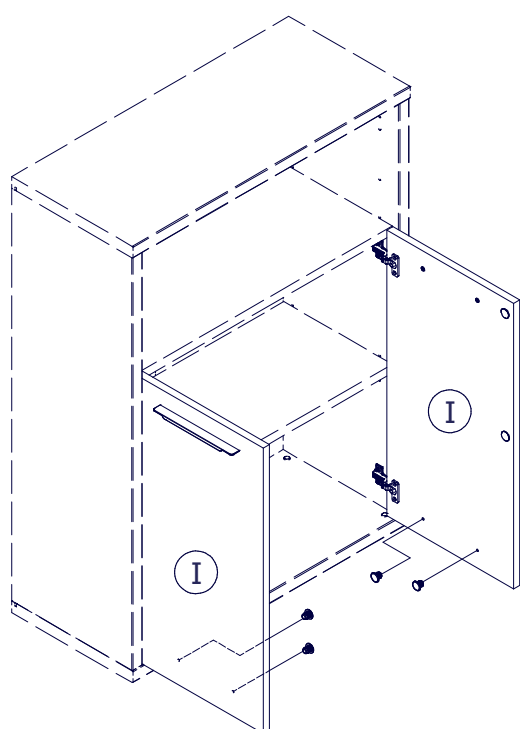
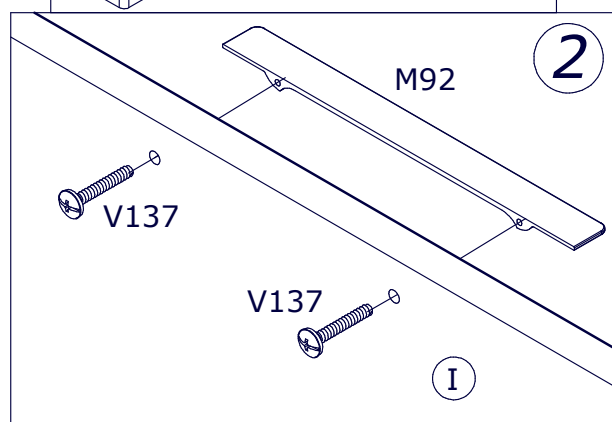
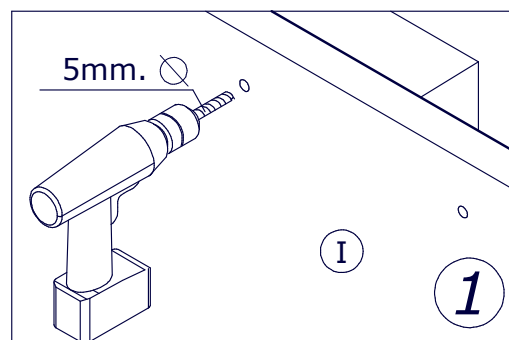
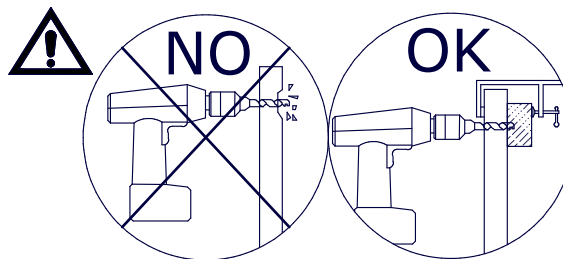
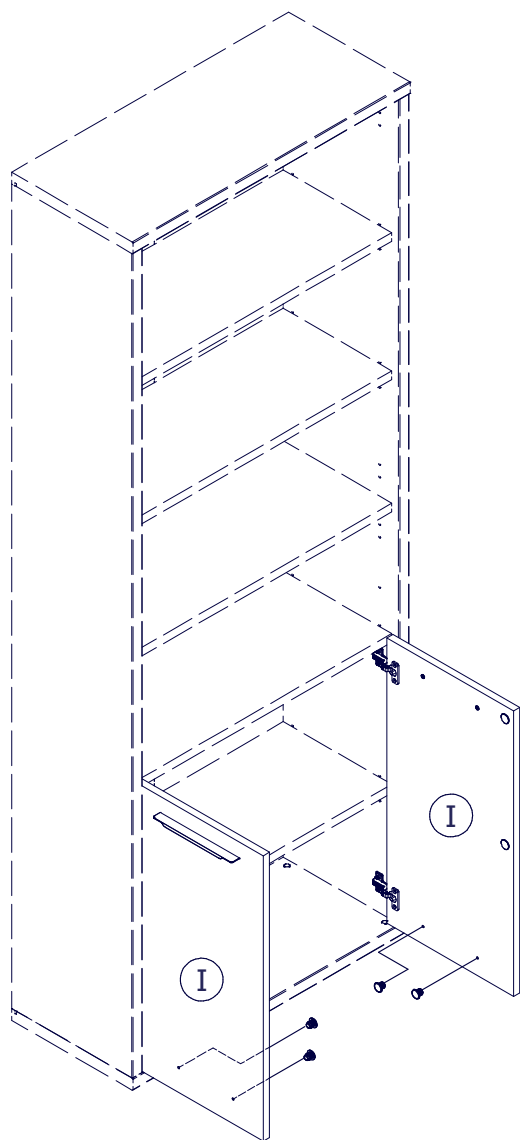
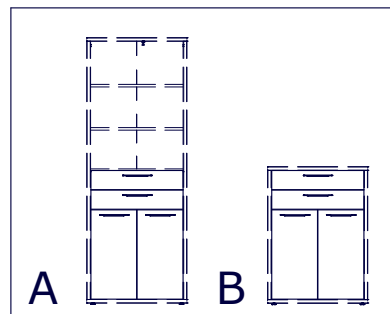
5



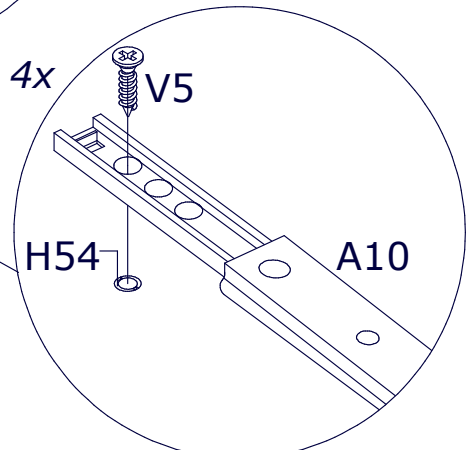
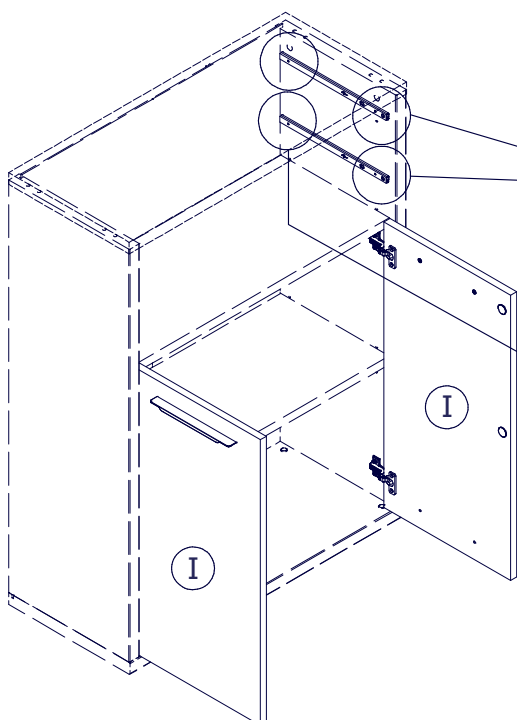
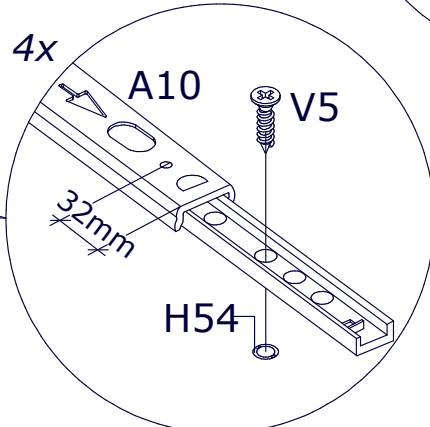
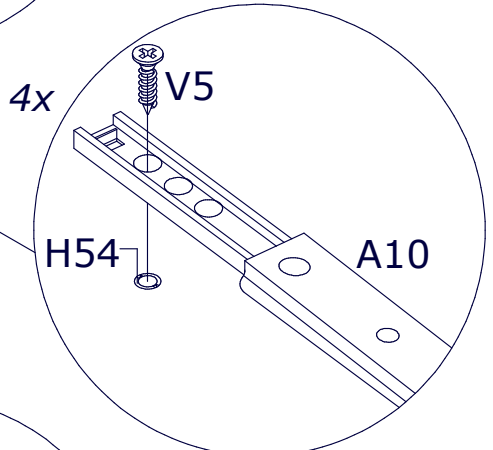
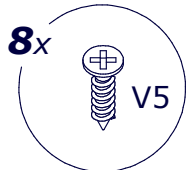
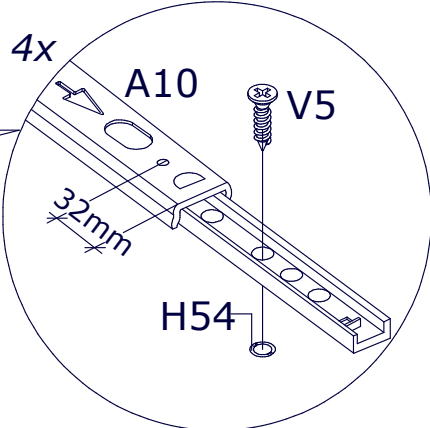
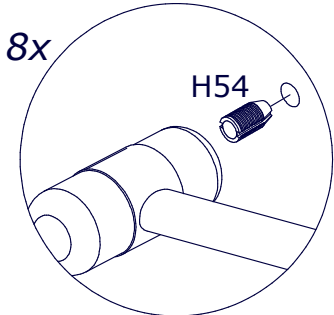
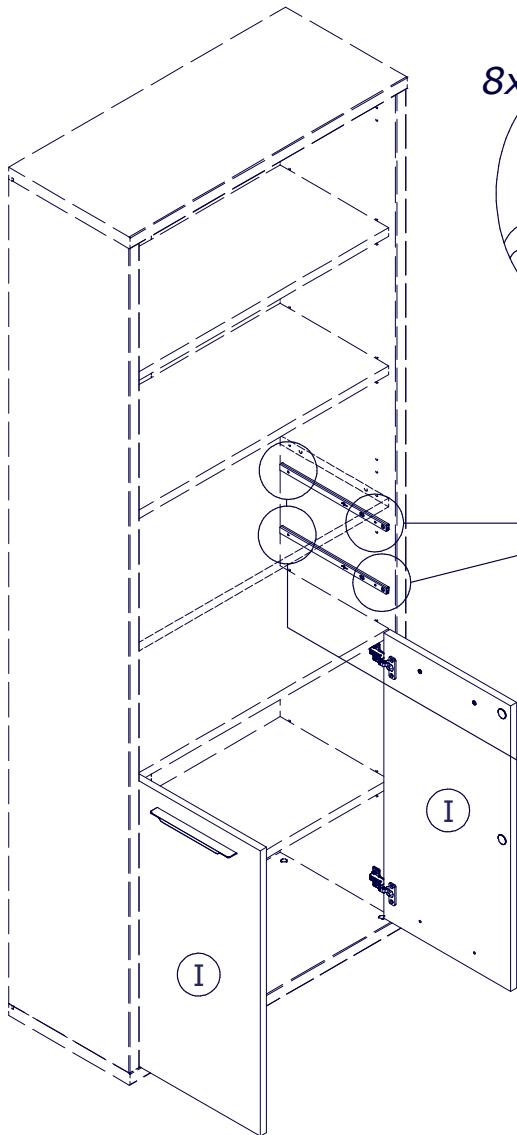
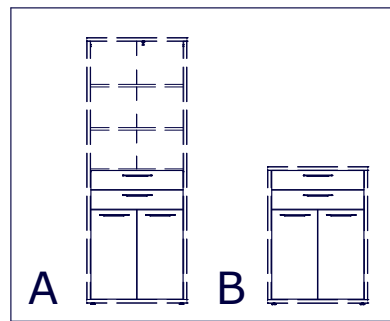
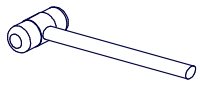
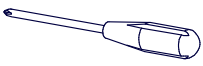
6



7



8



9



8x V38

