
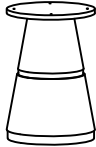
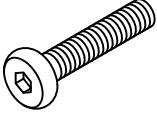



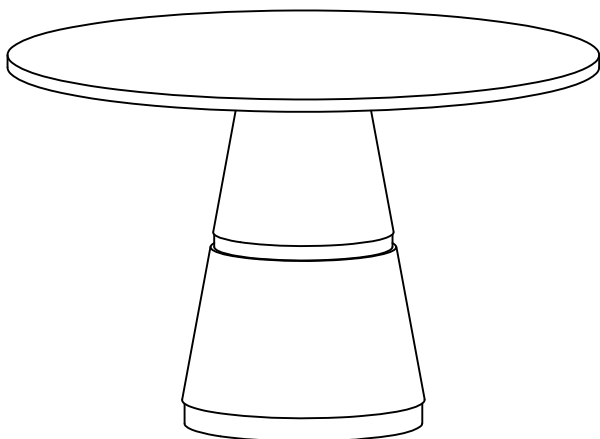


ASSEMBLY INSTRUCTIONS

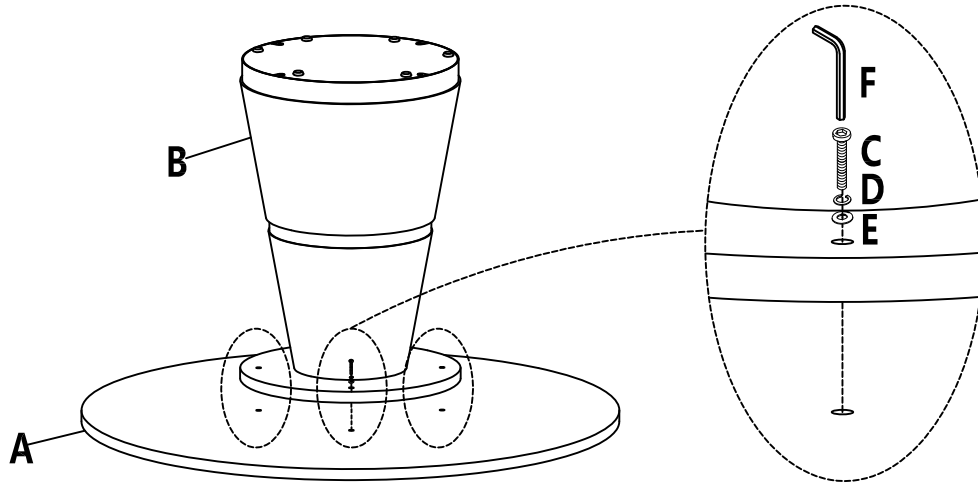
47" ROUND DINING TABLE

A Table Top  1 PC	B Pedestal Base  1 PC	C Bolt 1/4" x 1-3/4"  4 PCS
D Spring Washer 1/4"  4 PCS	E Flat Washer 1/4"  4 PCS	F Allen Key M4  1 PC

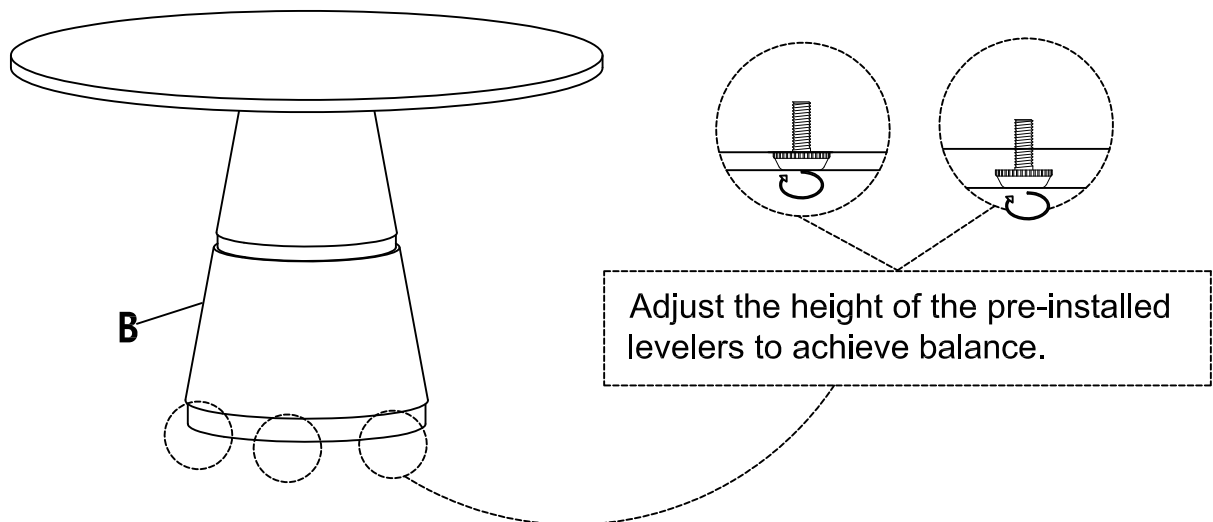


This page lists all the contents included in the box. Please take the time to identify the hardware as well as the individual components to this product. As you unpack and prepare for assembly, place the contents on a carpeted or padded area to protect them from damage.

- 1 Place the Table Top (A) face down on a clean, non-marring surface. Then, attach the Pedestal Base (B) to the bottom of the Table Top (A) using Bolt (C), Spring Washer (D) and Flat Washer (E) with the Allen Key (F).



- 2 With the assistance of your adult partners, carefully stand the table upright. If the table wobbles slightly, adjust the pre-installed levelers on the bottom of the Pedestal Base (B) until the table is stabilized.



Cleaning & Care

Treat surfaces with care. Surfaces are resistant to scratches but are not scratch resistant. Clean surfaces with a dry or damp soft cloth. Do not use abrasive cleaners. Hardware may loosen over time. Periodically check that all connections are tight.