

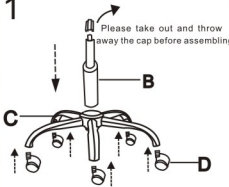
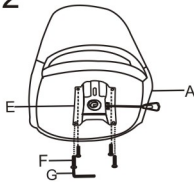








<p>A*1</p> 	<p>F*4</p>  <p>M6*18MM</p>	<p>1</p>  <p>Please take out and throw away the cap before assembling</p>	<p>2</p> 
<p>B*1</p> 	<p>G*1</p> 	<p>3</p> 	<p>4</p> 
<p>C*1</p> 			
<p>D*5</p> 			
<p>E*1</p> 