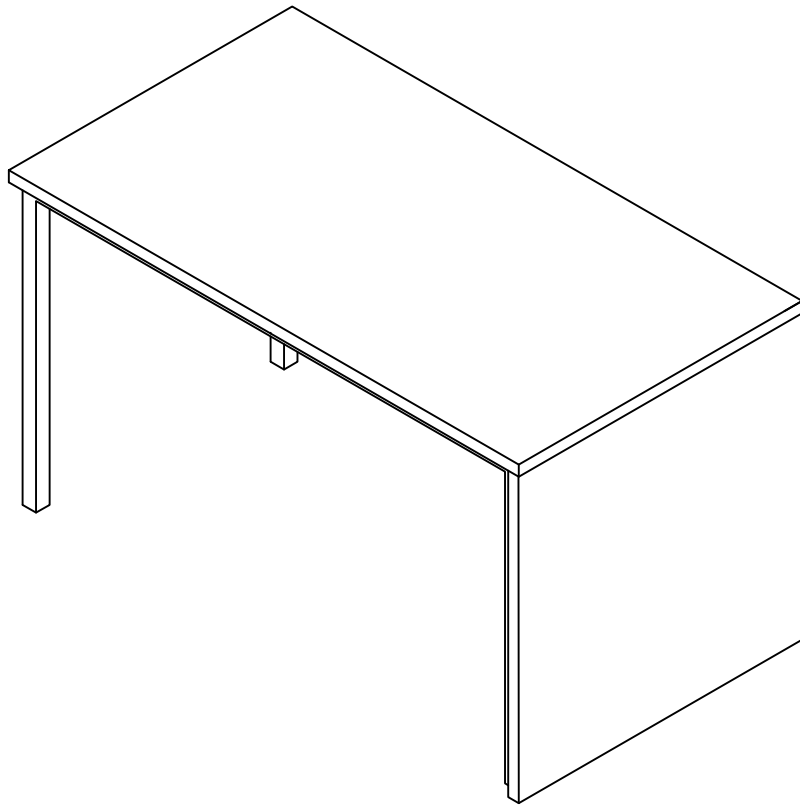


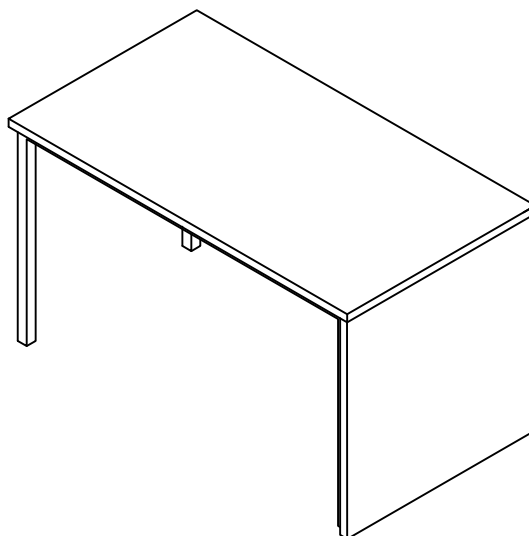
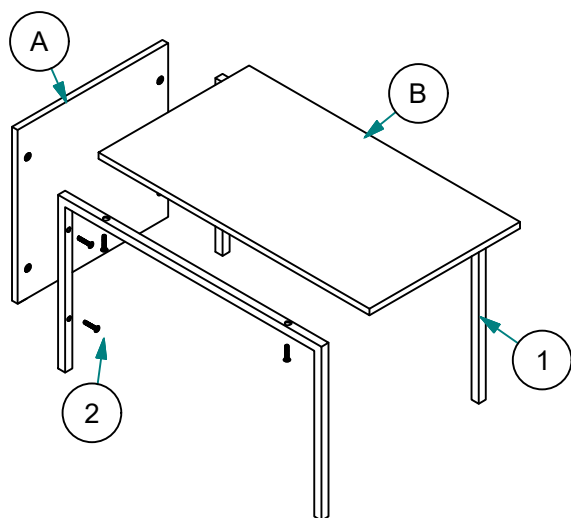
ASSEMBLY INSTRUCTIONS

MODEL: C TABLE

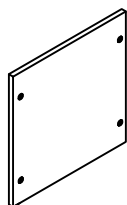


ASSEMBLY INSTRUCTIONS

MODEL: C TABLE



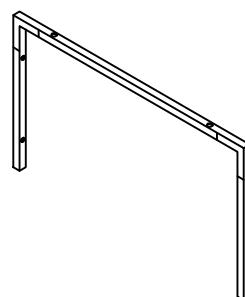
COMPLETED ASSEMBLY



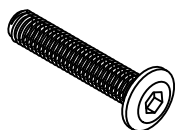
(A) SMALL PANEL-1PC



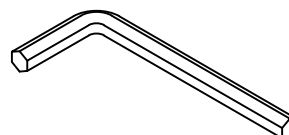
(B) BIG PANEL-1PC



(1) METAL C - 2PCS



(2) JCBC BOLT M6X30MM-8PCS

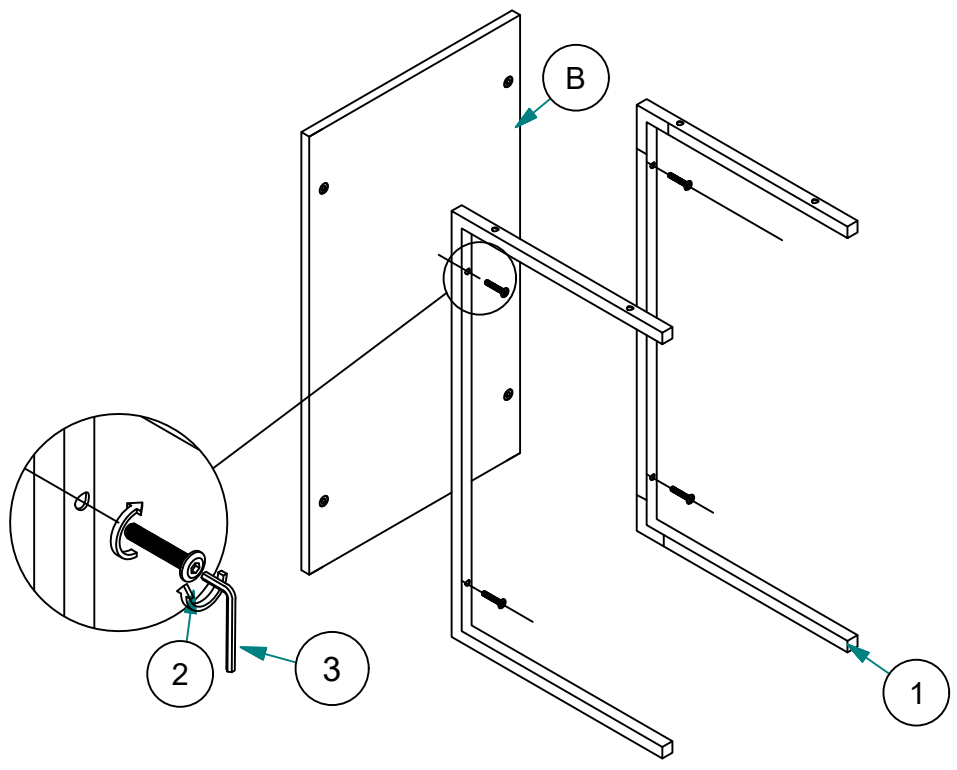


(3) ALLEN KEY

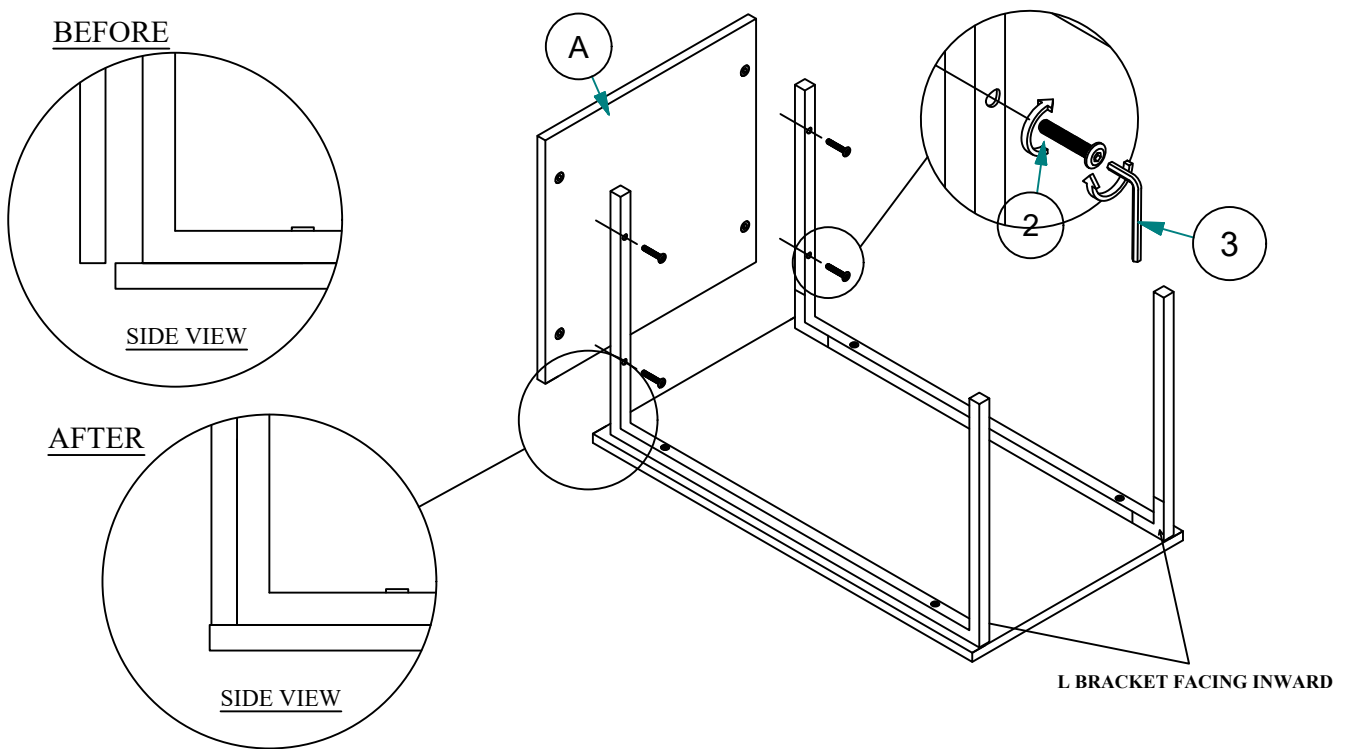
ASSEMBLY INSTRUCTIONS

MODEL: C TABLE

STEP 1

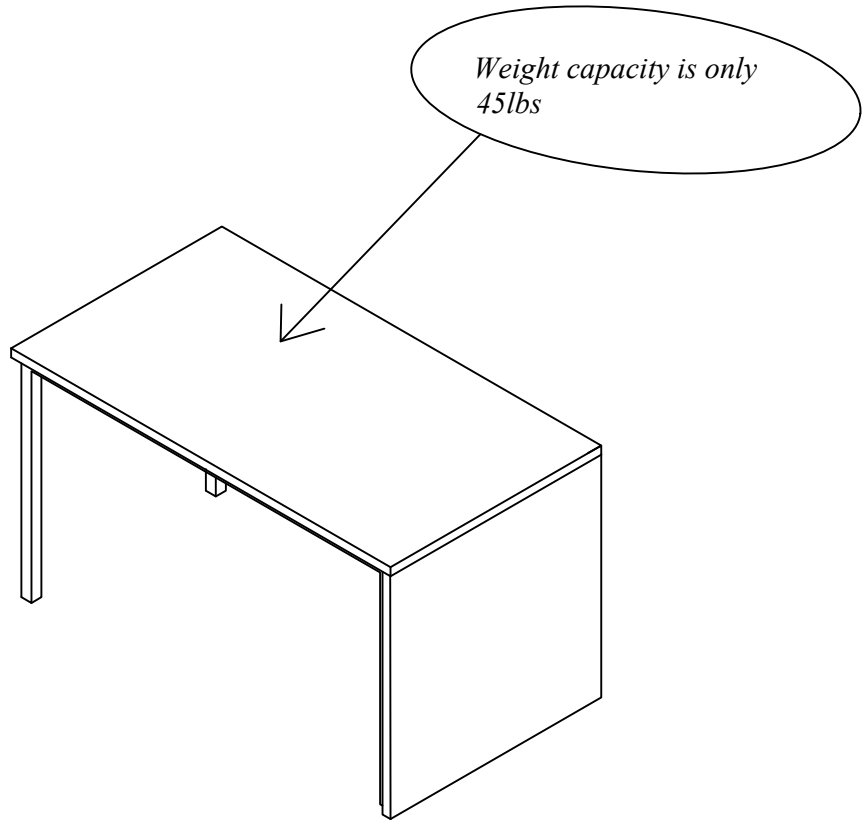


STEP 2



ASSEMBLY INSTRUCTIONS

MODEL: C TABLE



COMPLETED ASSEMBLY