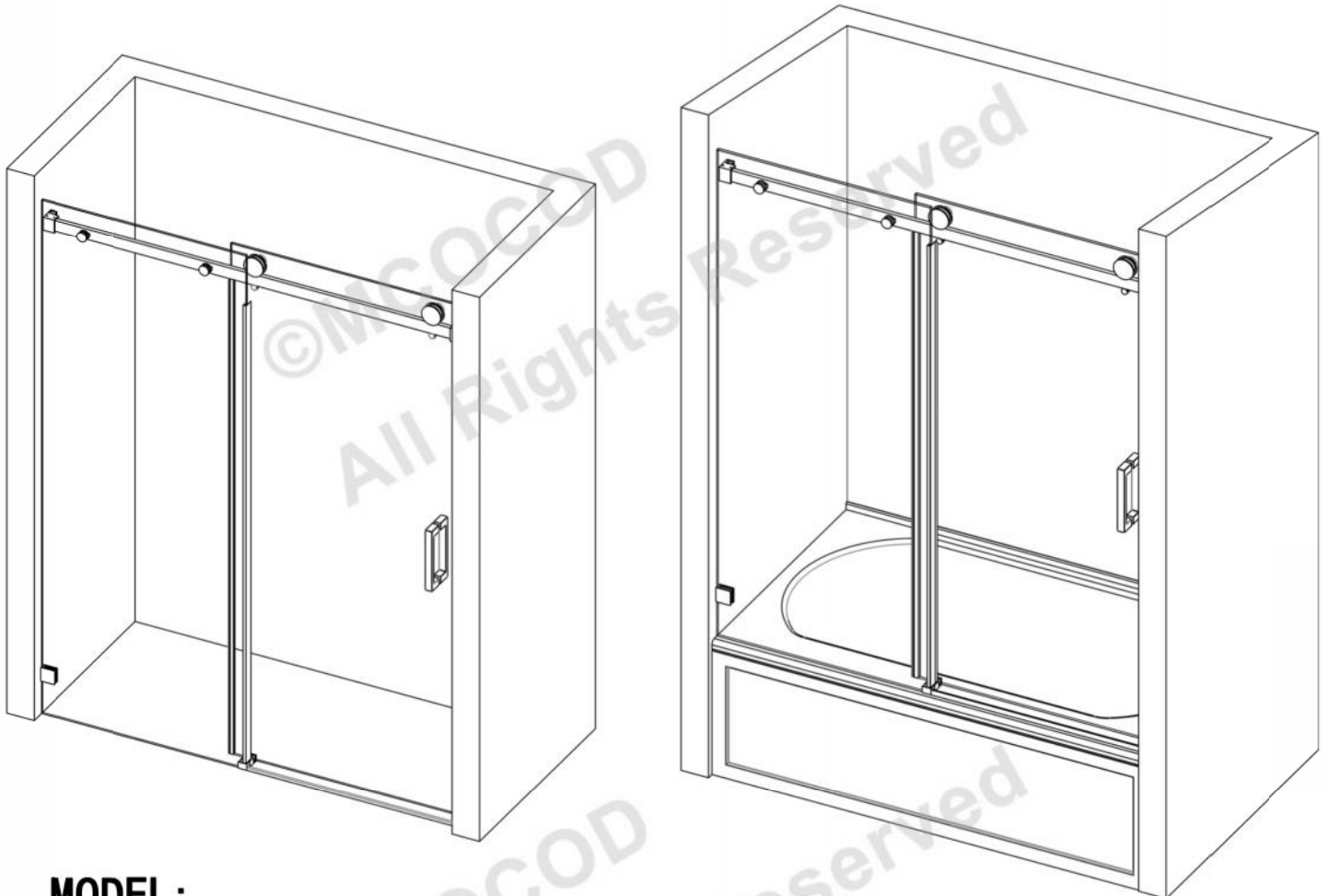




## Shower / Tub Door Installation Instructions



MODEL:

**SS05**

FINISH:

CH-CHROME

BR-BRUSHED NICKEL

BL-MATTE BLACK

**Please review this manual before installation.**



**321-946-6293**  
**470-926-8618**

# CATALOG

- 1 Product Structure Show
- 2 Parts Listing and Detail
- 5 Preparation
- 7 Tools Required
- 8 Installation Steps
- 14 Inspection and Maintenance
- 15 Troubleshooting Guide
- 16 Customer Service and Video Link

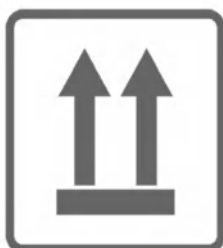
# SS05



# PARTS LISTING

## SS05

NO.	Name	Picture	Qty	NO.	Name	Picture	Qty
①	1 Slide Glass 1 Fixed Glass		2	⑩	Fixed Glass Seal		1
②	Guide Rail		1	⑪	Side Seal		2
③	Roller		2	⑫	Anti-splash Threshold		1
④	Glass Fastener		2	⑬	Glass Bracket		1
⑤	Wall Bracket		2	⑭	Screw ST5x40		4
⑥	Anti-collision Block		2	⑮	8mm Wall Plug		4
⑦	Guide Block		1	⑯	Punch Template		1
⑧	Handle		1	⑰	Allen Key		1
⑨	Anti-jumping knob		2				



Please keep this manual and product code number for future reference or get replacement part if necessary.

# PARTS DETAIL



Aluminum punch template

(If missing or broken, please refer to page 8 for punch data.)



Wall Bracket



Anti-jumping Knob

Decorative  
Cover ⇨



Roller



Handle



Guide Block



Glass Fastener

⇨ Decorative Cover ⇨



Glass Bracket

# PARTS DETAIL



Guide Rail



Door Seal



Anti-collision Block



Glass



Anti-splash Threshold



Screw & Allen key

# PREPARATION

- 1 Check all product parts for transport damage and check the qty of each part. If the unit is damaged, has surface defects, or missing parts, please contact our customer support dept. Please provide order number, recipient's name, or other proof of purchase to identify the original order.
- 2 Please Note! Please consult your local building regulations to check compliance. We are not responsible for your item's compliance with local building regulations.
- 3 All measurements and installation should do after the wall and shower base were completed. Make sure shower base/threshold is horizontal. Recommended licensed plumber installation.
- 4 Before installation, make sure that the surface of the wall is flat and strong enough to support the total weight of the unit. Make sure that neither side of the wall offset more than 1/4". Use level to verify that your walls are within 1/4" of plumb before proceeding. Irregularly level wall surfaces or too much offset would cause serious problems with the installation.
- 5 Protect all major surfaces of the product when installing and cutting. Do not place glass directly on the rough floor or leaning against the wall, place it on the cardboard or smooth plank before installing it. Do not remove the glass corner protections until installation is complete.
- 6 Note: No need to drill hole on the threshold to install this unit. Min. threshold requirement for installation is 2-1/2 in. then the guide block will protrude inward about 1/4 in. We recommended to purchase a finished shower base with threshold width of no less than 2-3/4 in. to match it.

# PREPARATION

- 7 This instruction will use the installation of shower door as an example. The steps for installing tub door are the same. If you choose left opening installation, all hardware in mirror counterpart to right opening.
- 8 Understanding shower door construction and parts installation locations.(Please refer to page 1~4)
- 9 Note: Cutting the guide rail can only be done on the side where sliding glass is installed, i.e. the side with no glass fixing holes on the guide rail.
- 10 Tile walls are best to replenish some glass glue at the tile seams to avoid leakage after the installation is completed.
- 11 Do not cut, polish, etc. to destroy the original appearance of the glass as this will void the warranty.
- 12 Heavy item! Handle carefully of the glass is required during installation, please do not step on the glass to avoid bumping. After removing the fixed panel corner protections, do not hit the glass corner.We recommend that two adults be involved in the installation.
- 13 Please watch the product installation video for further installation details,or check the online product page (HomeDepot/Amazon/Wayfair). If you choose to DIY, we recommend that you complete each step of the installation in combination with installation video. Some parts and installation steps have been improved, please refer to this instruction steps. You can also search for "MCOCOD SS05" on YouTube and find the video posted by "MCOCOD Shower Door"  
( Video Link:<https://youtu.be/FiUa27tBcys>)



**NOTE: Please follow this instruction to install the item, non-compliance may result in glass damage or serious personal injury.**

# TOOLS REQUIRED

(Please bring your own tools)



(we offer)  
Aluminum punch template



Spirit level



Tape measure



Power drill



Screw driver



Drill Bits 5/16"



Pencil



Rubber hammer



Hacksaw

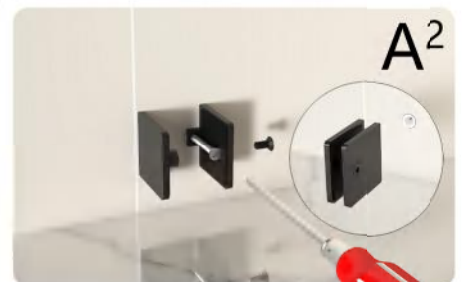
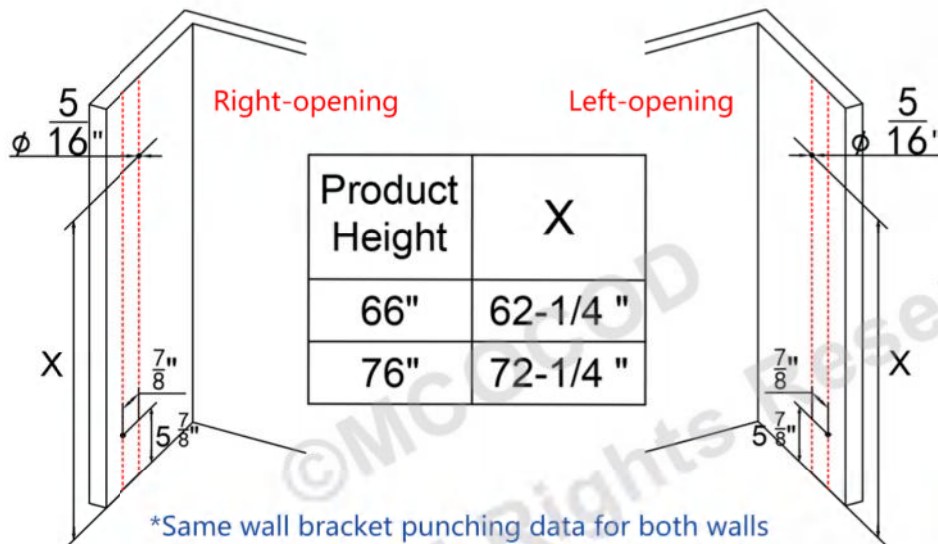


Silicone Gun  
Modified Silane(Silyl) Polymer

# INSTALLATION STEPS

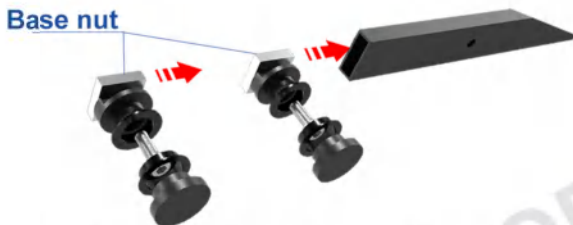
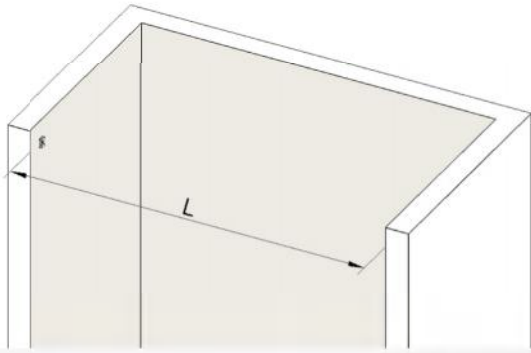


- ① Punch rules: the bottom fixed glass bracket perforation position needs to be  $7/8"$  outside the vertical surface of wall bracket punch position, to ensure that the fixed glass is installed on the outside of guide rail. If missing or broken, please refer to step 2 of punch data. Choose your opening direction according to the picture above. Prepare to draw fixed glass side wall point, please put the punching template vertically close to the wall, the bottom needs to touch threshold, use level to confirm the vertical and draw the two position of the punching points. Sliding glass side wall only need to draw top wall bracket punch point.

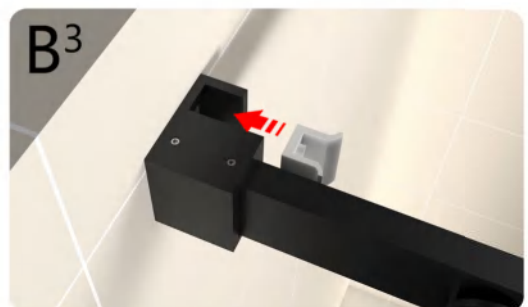
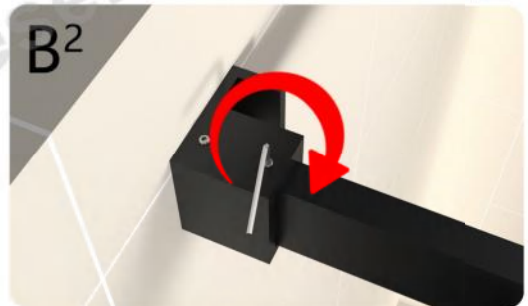
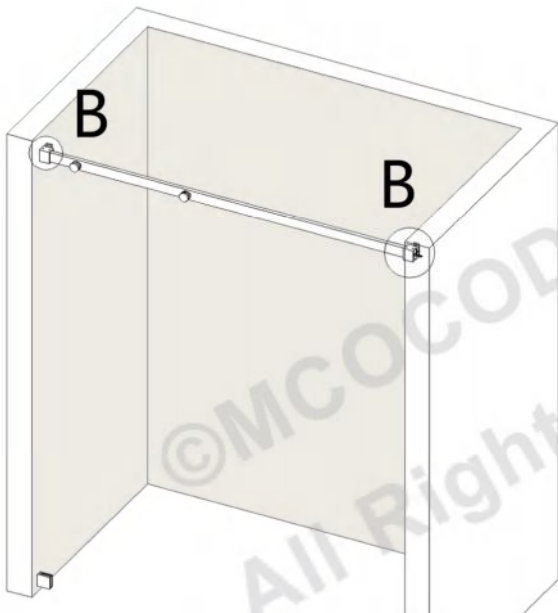


- ② The vertical surface of wall bracket drilling position should not be less than  $1\ 1/4"$  away from exterior vertical surface of your threshold. Check the drawn points on both side walls against the table data. If your threshold and wall joints are curved, not right angles, please measure and drill the holes using the table data directly.

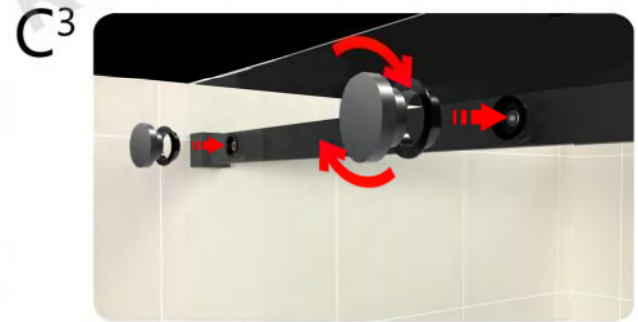
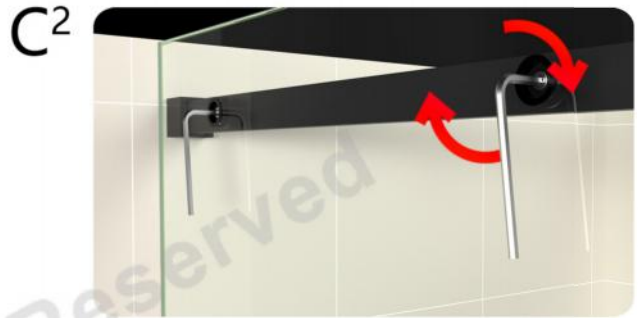
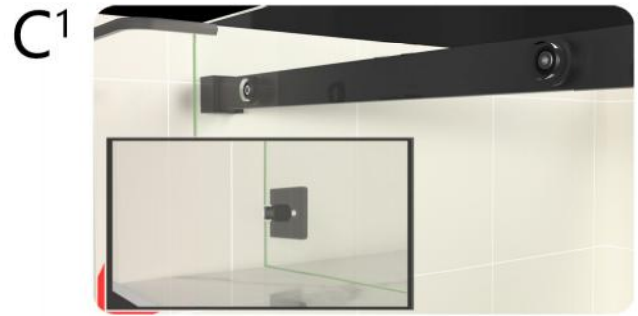
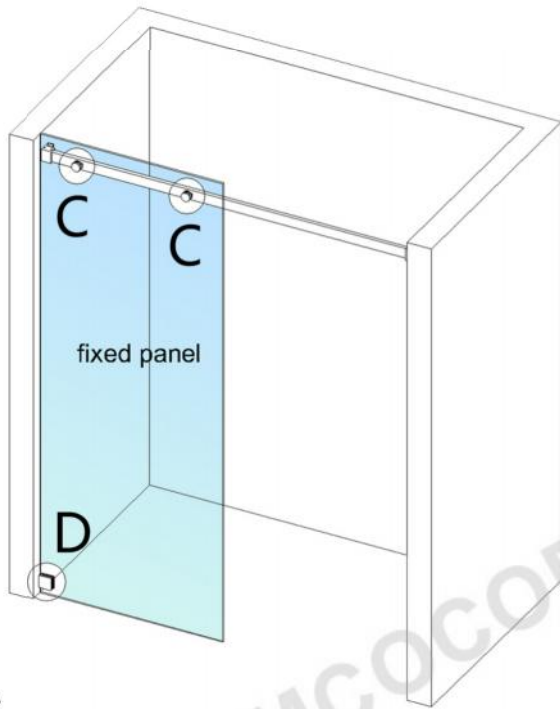
Drill the holes according to the drawn holes, making sure that there is no offset of the holes. Then install wall bracket base and glass bracket on the matching holes.



- ③ Loosen the fixing screw at the top of wall bracket connector to avoid blocking the connection to guide rail, without unscrewing completely. Place wall brackets onto the sides of guide rail, then measure the total length and the opening at the top of your shower, the difference between them will be the length of guide rail to be cut. Please note that cutting must be made from the unperforated end of guide rail. Please wear protective gear before cutting, be careful not to damage the finish of guide rail. After cutting, remove wall brackets. Use wire or thin wooden stick to push the base nut into the corresponding hole, then use screw fix the position based on pictures. Decorative cover is not installed for now.



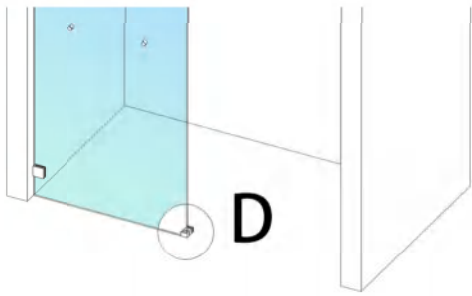
- ④ Place wall brackets onto the sides of guide rail and place them at the level of wall bracket base, then push the wall brackets on both sides to cover the base. Fix wall brackets on both sides with screws to lock guide rail, then place Anti-collision Blocks in the grooves of brackets on both sides.



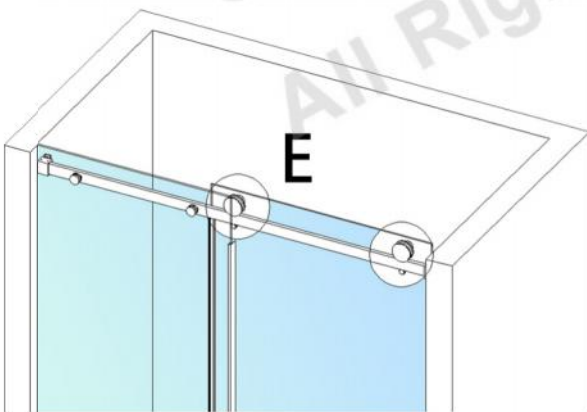
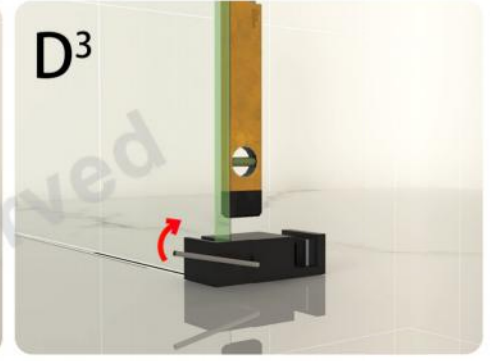
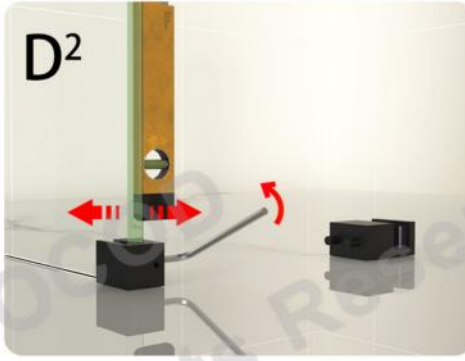
⑤ Installation of fixed panel: Remove fixed panel corner protection. Remove the decorative cover of bottom glass bracket, then put the fixed glass into the hole and tighten the decorative covers, don't miss the washer in the middle. Fixed panel can be adjusted slightly to match wall offsets.



⑥ Tighten bottom glass bracket decorative cover to complete the installation of fixed panel. If you have not finished drilling the hole for glass bracket, please complete the drilling first.

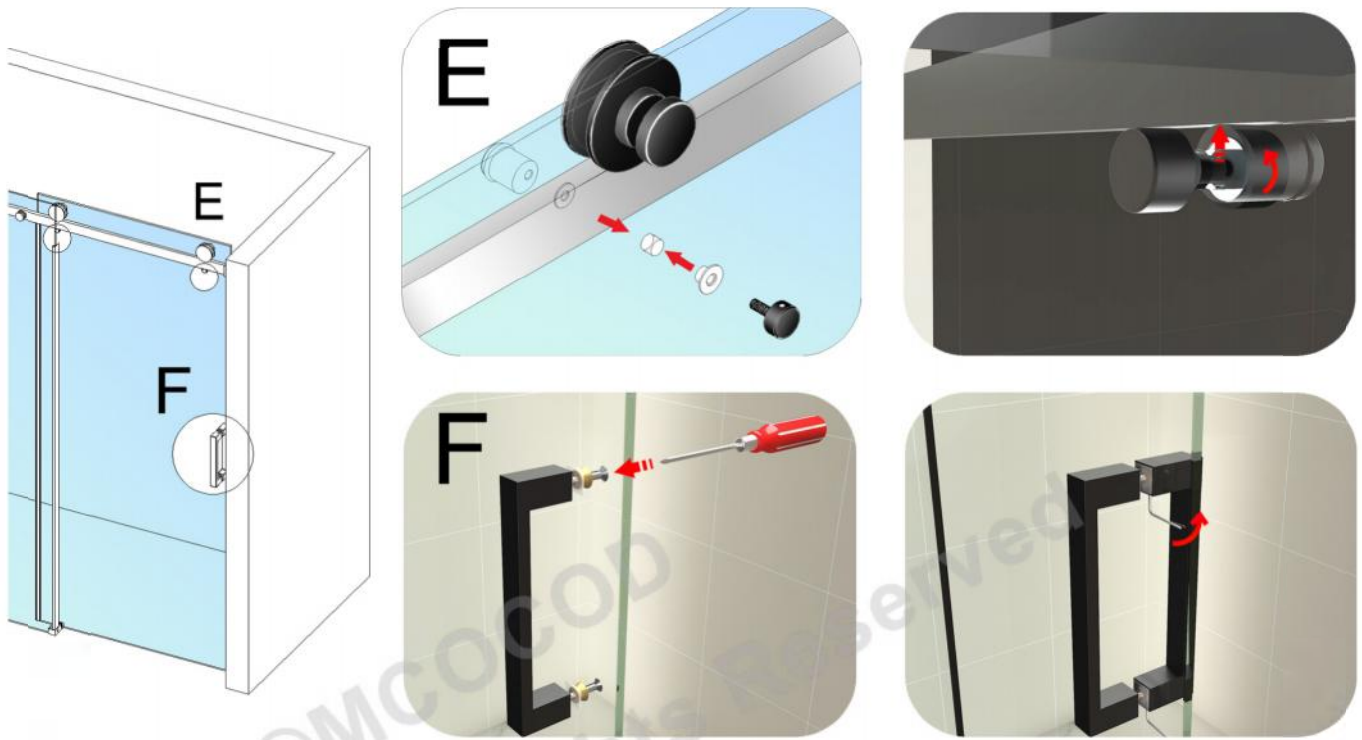


⑦ Assemble the guide block as shown and fix it to the corner of fixed panel. Then use a level to ensure that fixed glass is vertical. Please note that the protruding end of the guide block should be face inwards for subsequent installation of sliding glass. No need to drill hole on the threshold to install the guide block.

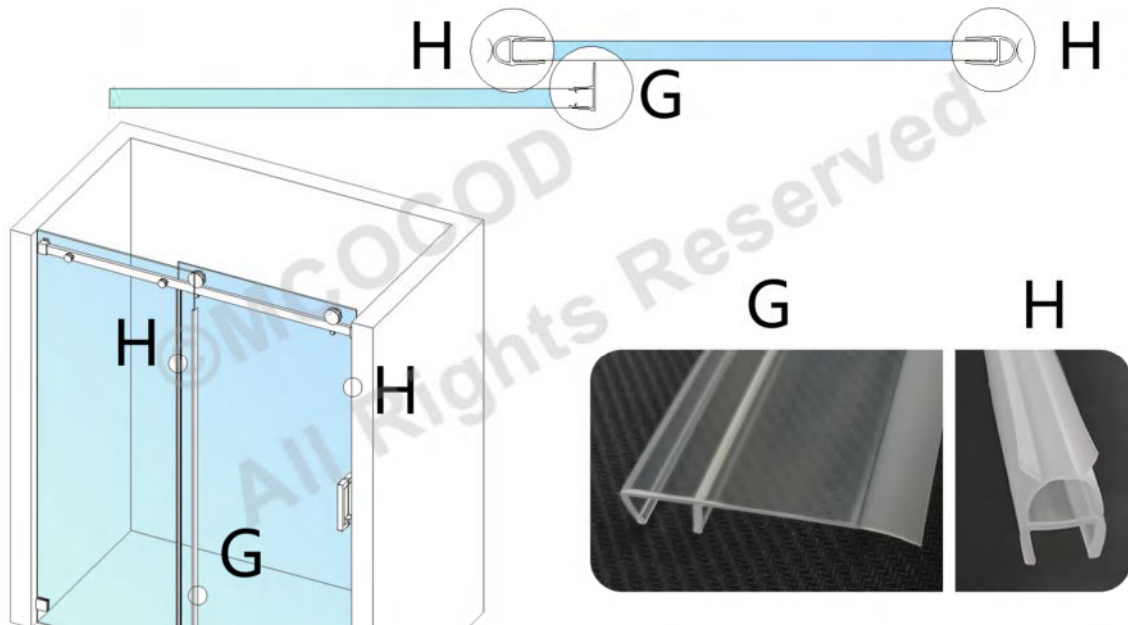


⑧ Unscrew the decorative cover of all the rollers and separate the rollers with Allen Key. Install the two rollers in the two holes above the glass as shown then tighten the set screws. Hang the sliding glass on the guide rail, then use Allen Key to loosen the roller screws a little. Take care to keep the bottom of sliding glass in the grooves of guide block. Use Allen Key to adjust the hole on the side of the rollers to adjust the level and height of sliding glass, make sure that sliding glass is level and then tighten the fixing screws, tighten the decorative cover of the top rollers at last. Sliding glass can be allowed to tilt a little to match non-vertical wall, and the remaining offset allows door seal to fill in.

Please note that to adjust the height of sliding glass, you need to make sure that the bottom of sliding glass is not touching the groove bottom of guide block, to avoid unsmooth sliding.



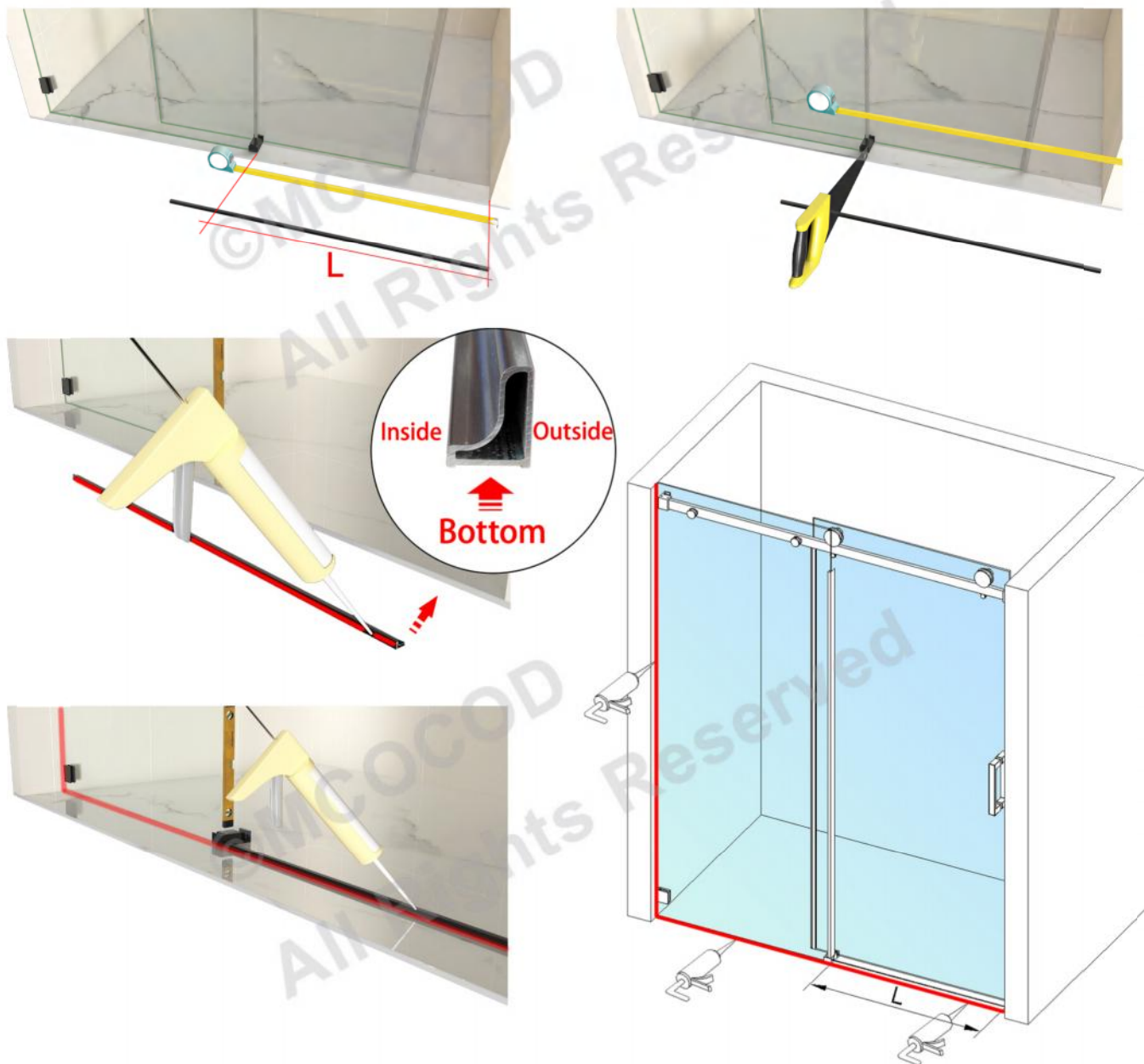
- ⑨ Installation of two Anti-jumping Knobs: Adjust the Anti-jumping Knobs on the bottom of guide rail and tighten it to fix the height. Anti-jumping Knobs are off-center knobs for easy height adjustment. Please note that do not let it touch the bottom of guide rail, need to retain a little gap to avoid sliding unsmooth and ensures glass anti-jumping at the same time. Install handle to the corresponding holes on sliding glass according to the illustration.



- ⑩ Install the door seal as illustrated, wide door seal should be installed on the fixed glass side. All door seals should be installed starting from the bottom and working upwards. If the roller scratches against the door seal, please adjust the height of door seal or trim the top of door seal.

⑪ Please check whether you need to cut the Anti-splash threshold according to the width of the remaining opening, taking care that do not damage its finish if cutting. Cut to the right length to match the opening. Then install the Anti-splash threshold with silicone at the opening, flush with the outside of guide block. Take care to have the taller side as the vertical side and the shorter side against the threshold. Remove sliding glass corner protection. Check the installation stability of each part, tighten the fixing screws of each part.

Clean up the garbage, dry the water and stains with a soft cloth after installation, then applying mildew-resistant silicone on the side of fixed panel and Anti-splash threshold. Punch template and box can be discarded after installation or retained for other uses. Installation completed!



**Note: Please dry for 24 hours after the mildew-resistant silicone is applied before use.**

## PRODUCT INSPECTION BEFORE FIRST USE

- 1 Check the level and stability of guide rail.
- 2 Check whether fixed panel glass is vertical.
- 3 Check whether the fixing screws of rollers, guide block and guide rail are tightened.
- 4 Check that glass bracket, glass fasteners' decoration covers are tightened.
- 5 Check whether sliding door slides smoothly.
- 6 Proper gap between the bottom of sliding door to the bottom of guide block groove and threshold.
- 7 Check whether sliding glass can be closed properly and locked in the closed state.

## SHOWER DOOR MAINTENANCE AND CARE

- 1 Shower door glass is double-sided easy-clean glass. For daily cleaning using moist soft cloth to wipe away surface water and stains, reduce the use of cleaning agents to extend the easy-clean performance. We recommend cleaning the hardware at least once a week and cleaning the glass daily after showering. It's best to use damp, soft cloth and silicone squeegee, or you can use some neutral, mild detergent. Remove the door seal can be clean the glass overlap area.
- 2 Do not use any sharp cleaning tools or cleaning agents with abrasive ingredients to clean the glass. Do not use abrasive cleaners or cleaning products that contain ammonia, bleach or acids. If accidentally used, rinse the surface ASAP. Long-term use of corrosive cleaners will cause discoloration or spots of the hardware. Reducing the use of cleaners will prolong the use of the hardware&glass appearance. You can use small amount of anhydrous ethanol or Neutral Mild Cleaner to clean stubborn water stains or calculus on the hardware.
- 3 Do not let the shower water directly wash the bottom of sliding door, otherwise it may result in water splashing out of the bottom of sliding door.

**PLEASE NOTE:** In order to prolong the life of your door, please check the glass and all hardware regularly for shifting/damage/difficulty sliding/noisy sliding, to void incorrect operation during the installation process to affect the subsequent use and cause damage. If you have any questions or concerns, please contact us.

## TROUBLESHOOTING GUIDE AND NOTE

If not installed correctly, the following issues may arise.

### Shower doors don't close tightly issues:

**Q:** When I close the door, the door closes then backs out and never closes tight. How should I do?

**A:** First please check that the Anti-collision Block is installed on both sides, it will hold sliding glass in place when closing the door to keep it closed. Then use a level to check your guide rail and glass level status, if not installed level, you can adjust the top roller to adjust the sliding glass level and height. Even if your guide rail is a little tilted, the Anti-collision Block will help to complete the closing action and hold the sliding glass, if guide rail is tilted severely, you may need to re-drill.

Before adjusting the height and level of sliding glass, we recommended to adjust the height of bottom rollers to avoid affecting the adjustment of top rollers. Adjustments completed and then restore the rollers.

### Shower door leaking issues:

**Q:** The bottom of the inner door leaks, how should I do?

**A:** Please confirm product wall bracket punching data are correct and the anti-splash threshold glue seals well without leaking, then following adjustment steps need to be made.

1. Adjust the angle of the shower head, avoid the shower water directly wash the bottom of the sliding door.
2. Please adjust the height of the top rollers to reduce the height of sliding glass. Complete these 2 steps would solve it, if there still leak please contact customer service for support.

## **Info about Glass:**

**Treated with Enduro Shield.on both sides**  
**Low-iron Tempered Safety Glass**  
**16 CFR 1201**  
**CAN/CGSB 12.1-2017**  
**ANSI Z97.1-2015**  
**3/8"UA SGCC**

**NOTE:**The black lettering on the corner of the glass is the certification name, which is mandatory printing. Thank you!

## **Customer Service:**

**470-926-8618**  
**321-946-6293**

## **Installation Video:**

**<https://youtu.be/FiUa27tBcys>**  
**[www.mcocodsupport.com](http://www.mcocodsupport.com)**

**You can also search for "MCOCOD SS05" on YouTube and find the video posted by "MCOCOD Shower Door"**

## **Return Address:**

- 4800 Little John St.**  
**Baldwin Park, CA 91706**

**Please contact our customer service to get replacement or confirm the return steps before returning.**