

NOTICE

*Please make sure that you have all parts indicated and they are in good condition before you begin assembly of this item. Refer to part list and hardware list below for guidance.

*This item should be assembled on a soft surface to prevent scratching the finish during assembly.

*This item may require periodic tightening.

PREPARATION

* Before beginning assembly of product, make sure all parts are present. Compare parts with part contents list and hardware contents list.

* If any part is missing or damaged, do not attempt to assemble the product.

* Estimated Assembly Time: 10 minutes.

* Tools Required for Assembly (included): Allen Key

CARE AND MAINTENANCE

OUTDOOR FURNITURE CARE

Store outdoor furniture indoors or cover well when not in use. Remove wooden furniture from standing water.

Dust regularly with small brush or vacuum.

Spills should be taken care of immediately before they harden or stain with a slightly dampened sponge.

UPHOLSTERY CARE

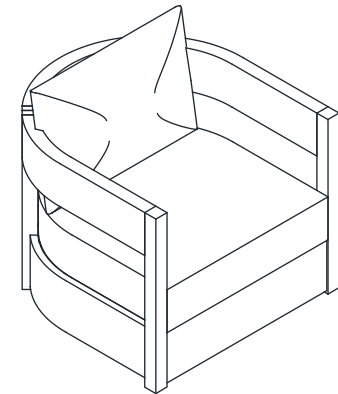
To prevent overall soiling, frequent vacuuming or light brushing is recommended. Cushions and pillows should be turned on a weekly basis.

Down-filled cushions should be brushed rather than vacuumed. Spot clean, using a mild water-free solvent or dry cleaning product. Only a professional cleaner should undertake a complete overall cleaning.

The use of steam or water-based cleaners may cause excessive shrinking or staining.

Owner Manual

Product Dimensions: 27.16" W x 29.13" D x 24.8" H







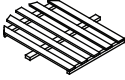

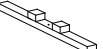
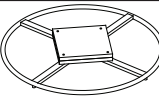
Weight Capacity :200 Ibs

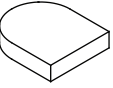





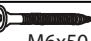
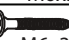

Warning : Do not stand on bench

Warning : Do not over torque bolts / screws



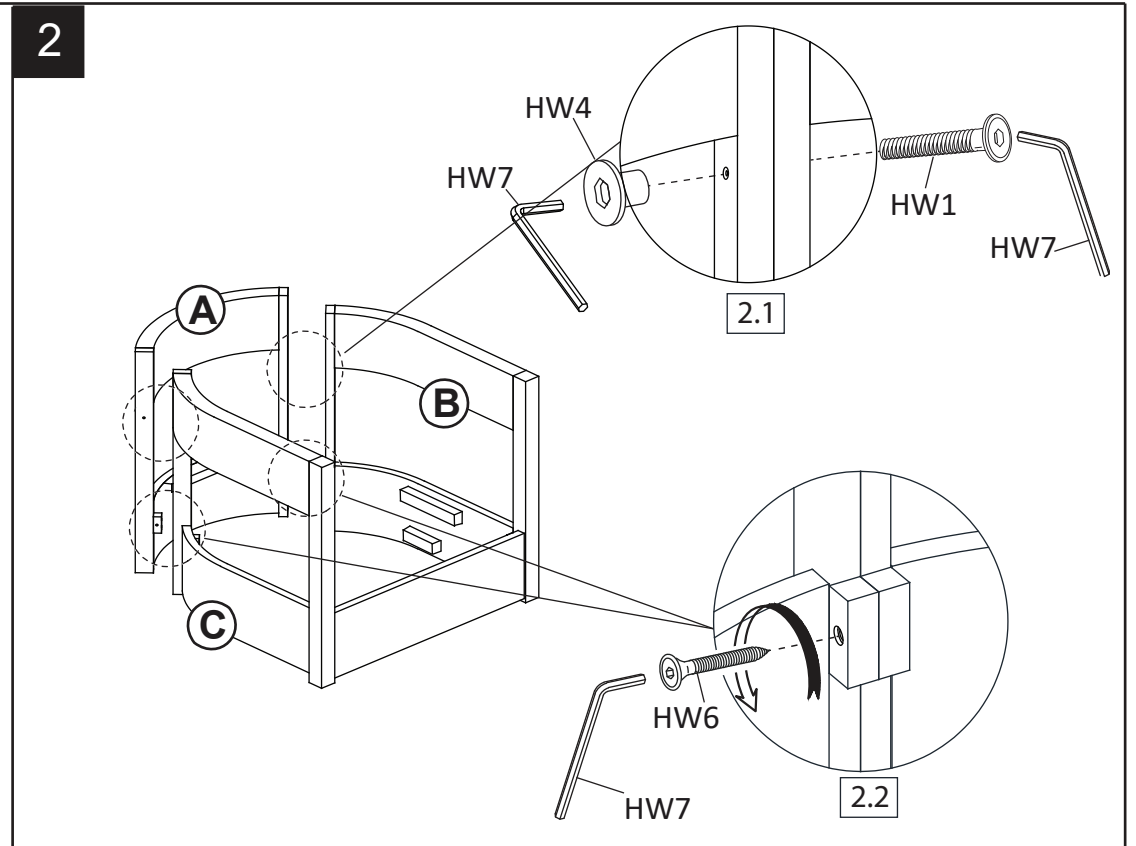
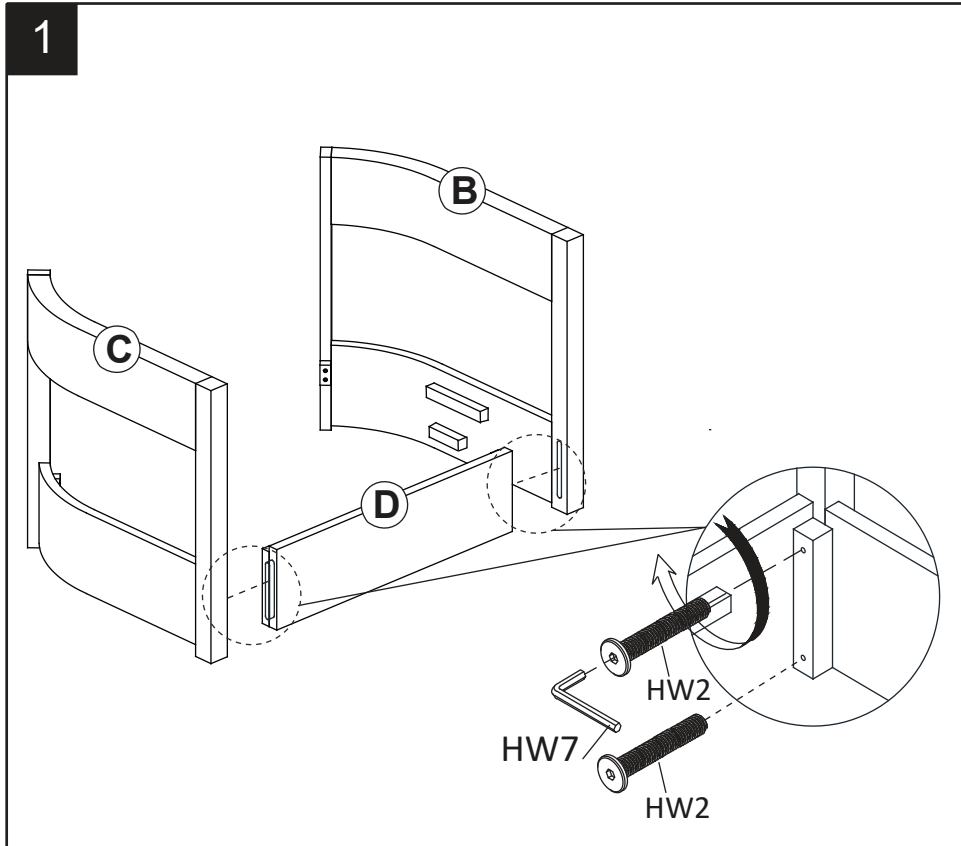
Part List and Hardware List

PIECE	DESCRIPTION	PICTURE	QUANTITY
A	Backrest Panel		1X
B	Left Leg Panel		1X
C	Right Leg Panel		1X
D	Fornt Rail		1X
E	Seat Panel		1X
F	Cross Bar 1		1X
G	Cross Bar 2		1X
H	Swivel basel		1X

CSH1	Seat Cushion		1X
CSH2	Back Cushion		1X
HW1	Allen Bolt: M6x0.5x35 mm	 M6x35	2X
HW2	Allen Screws: M6x0.5x45 mm	 M6x45	4X
HW3	Screws M6x0.5x25 mm	 M6x25	4X
HW4	Insert Nut	 M6x15	2X
HW5	Screws M6x0.5x50 mm	 M6x50	5X
HW6	Screws M6x0.5x35 mm	 M6x35	4X
HW7	Allen key	 LG4	2X

PREPARATION

- *Before beginning assembly of product, make sure all parts are present. Compare parts with package contents list and hardware contents list.
- *If any part is missing or damaged, do not attempt to assemble the product.
- * Estimated Assembly Time : 10 minutes.
- * Tools Required for Assembly (included): Allen Key
- * If you are having difficulty, our friendly Customer care team is always here to help.



Step 1

Attach the Left Leg Panel (B) and Right Panel (C) to Front rail (D) using Bolts(HW2) and the Allen key (HW7) as shown above.

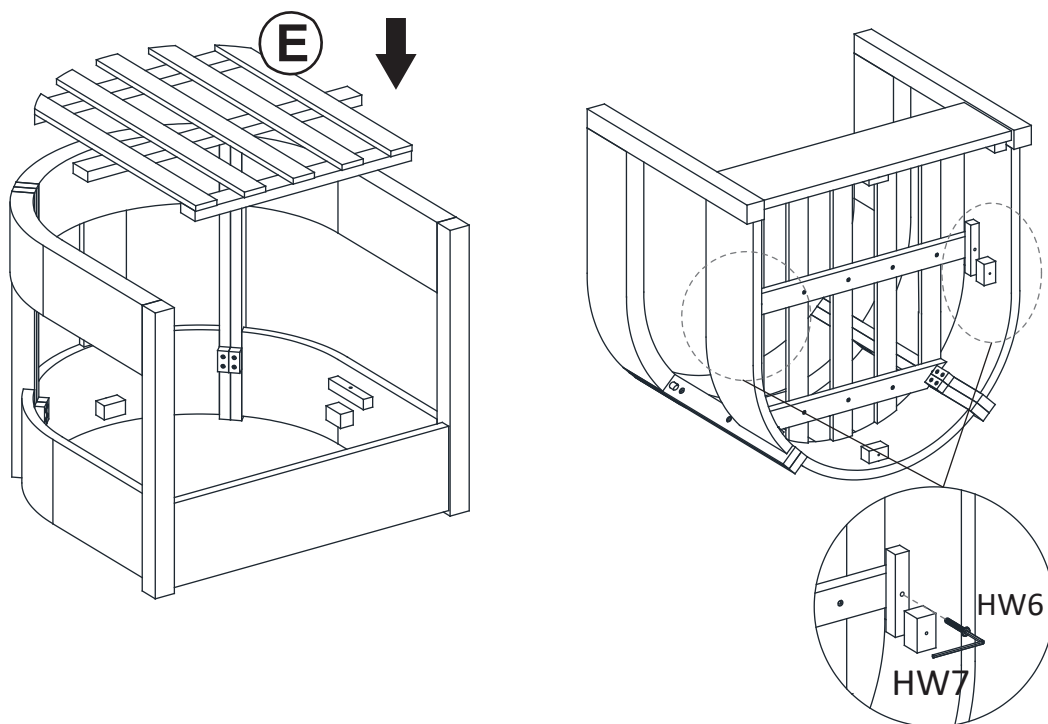
Step 2

- *2.1 Attach the Backrest Panel (A) to the Left Leg Panel (B) and Right Leg Panel (C). Using Bolts(HW1), Insert Nuts(HW4) and the Allen key (HW7) as shown above.
- *2.2 Using Screws (HW6) and the Allen key (HW7) as shown above.

PREPARATION

- *Before beginning assembly of product, make sure all parts are present. Compare parts with package contents list and hardware contents list.
- *If any part is missing or damaged, do not attempt to assemble the product.
- * Estimated Assembly Time : 10 minutes.
- * Tools Required for Assembly (included): Allen Key
- * If you are having difficulty, our friendly Customer care team is always here to help.

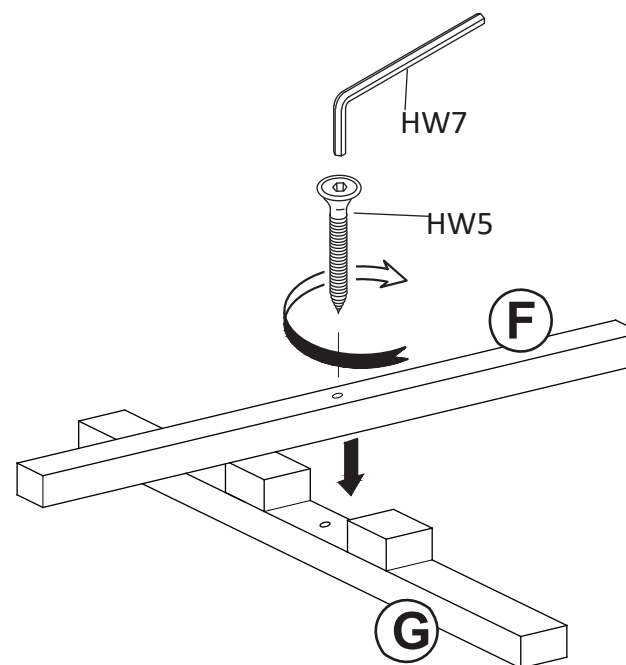
3



Step 3

Attach the Seat Panel (E) into the Chair as shown in picture above. Affix the Seat Panel (E) to the Chair using Screws(HW6) and the Allen key (WH7).

4

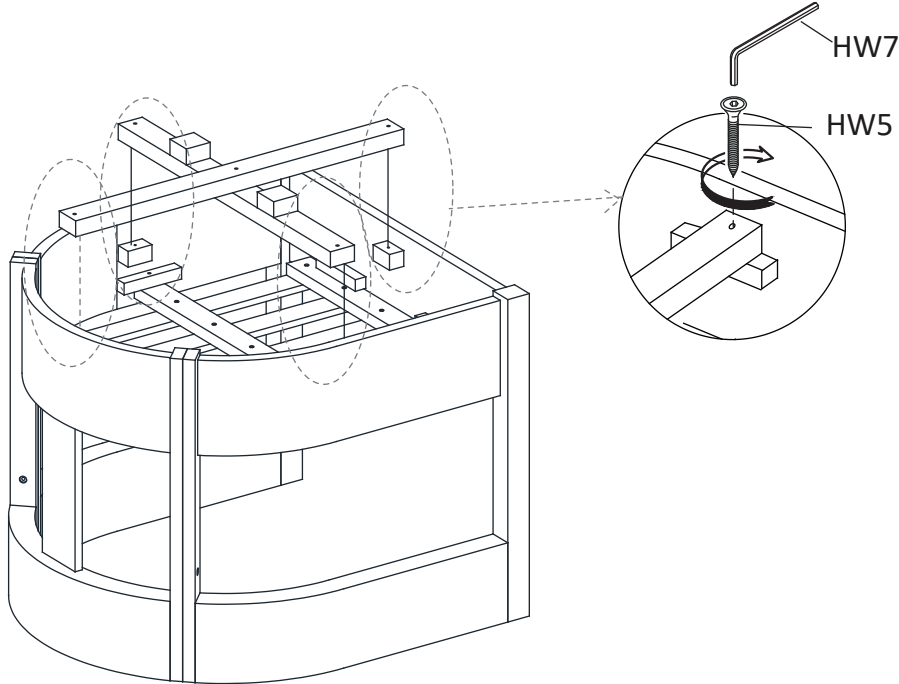
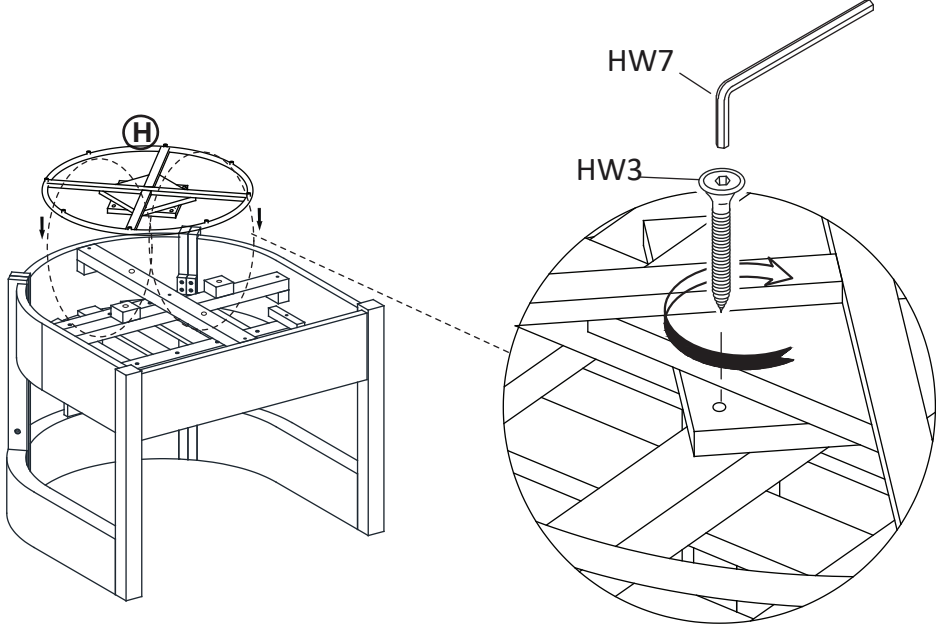


Step 4

Attach Cross bar 1 (F) into Cross bar 2 (G) as shown in picture above. Using Screws (HW5) and the Allen key (HW7) as shown above.

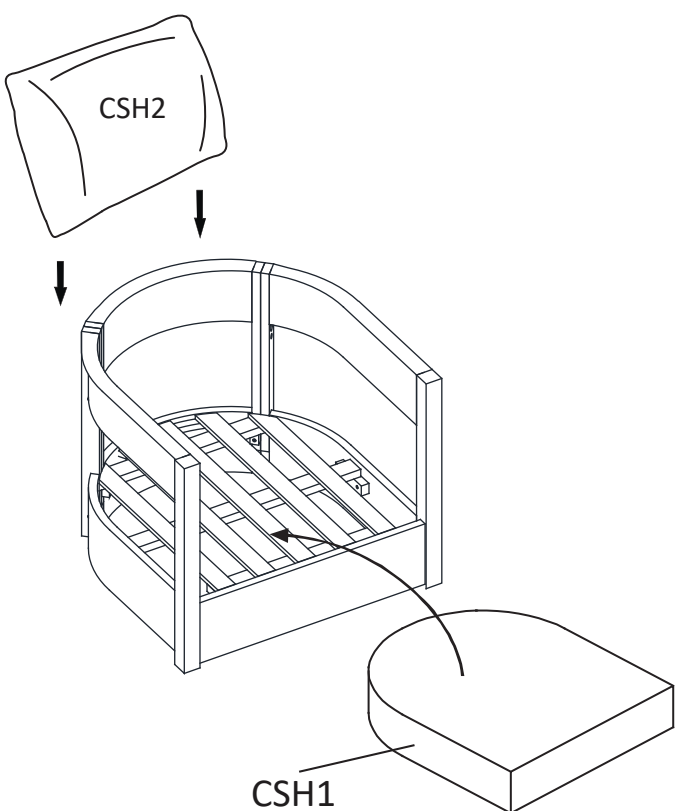
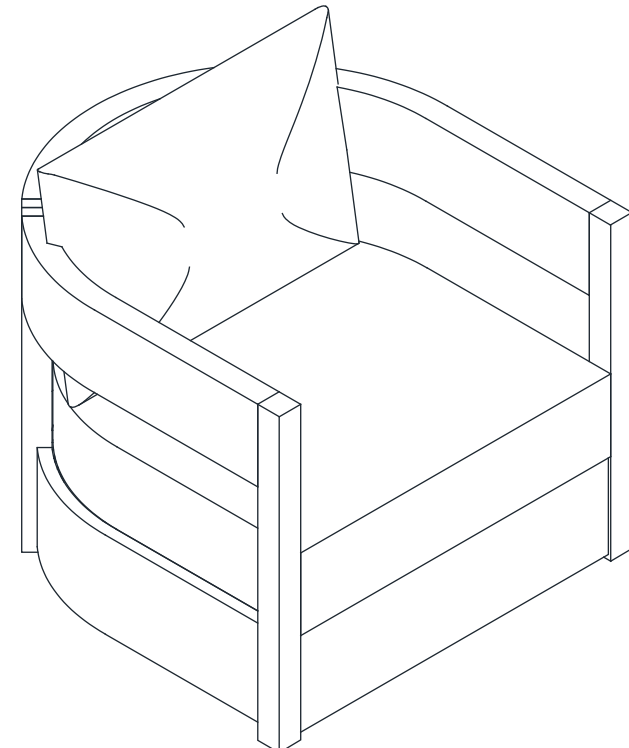
PREPARATION

- *Before beginning assembly of product, make sure all parts are present. Compare parts with package contents list and hardware contents list.
- *If any part is missing or damaged, do not attempt to assemble the product.
- * Estimated Assembly Time : 10 minutes.
- * Tools Required for Assembly (included): Allen Key
- * If you are having difficulty, our friendly Customer care team is always here to help.

<p>5</p> 	<p>6</p> 
<p>Step 5 Attach Cross bar 1 (F) and Cross bar 2 (G) to Chair as shown in picture above. Using Screws (HW5) and the Allen key (HW7) as shown above.</p>	<p>Step 6 Attach the Swivel base to Chair using (HW3) and the Allen kay (HW7) as shown above.</p>

PREPARATION

- *Before beginning assembly of product, make sure all parts are present. Compare parts with package contents list and hardware contents list.
- *If any part is missing or damaged, do not attempt to assemble the product.
- * Estimated Assembly Time : 10 minutes.
- * Tools Required for Assembly (included): Allen Key
- * If you are having difficulty, our friendly Customer care team is always here to help.

<p>7</p> 	<p>8</p> 
<p>Step 7 Place the Seat Cushion (CSH1) and the Back Cushion (CSH2) into the Chair.</p>	<p>Step8 Your Chair is ready to be used.</p>