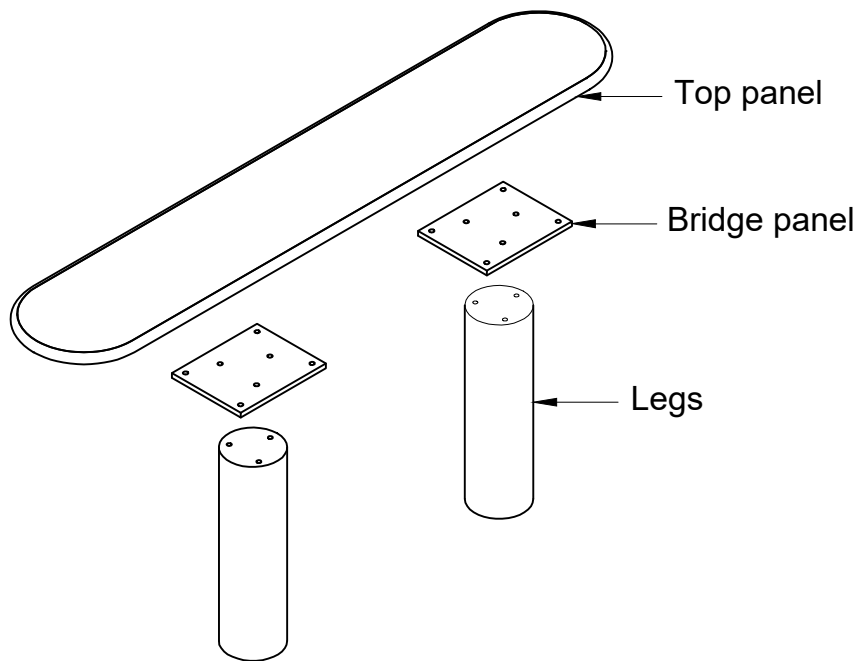
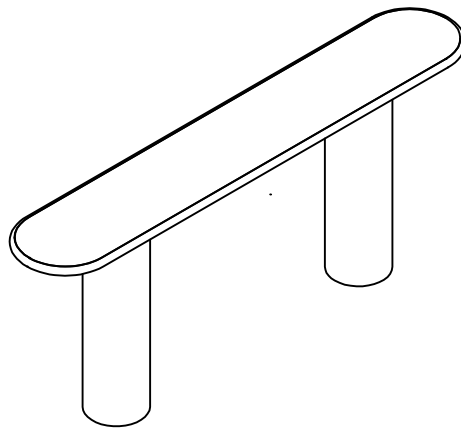
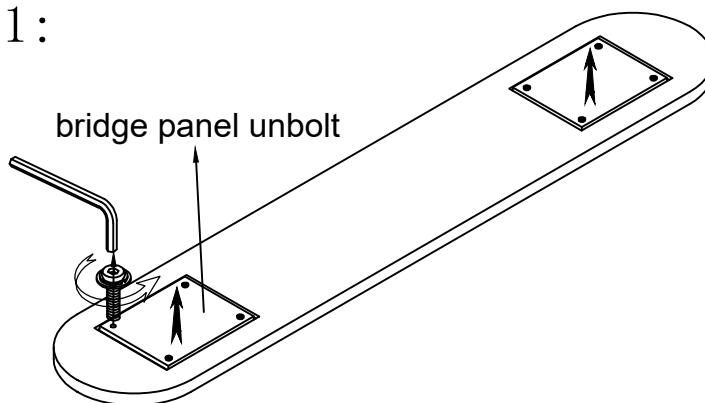





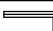
ASSEMBLY INSTRUCTIONS



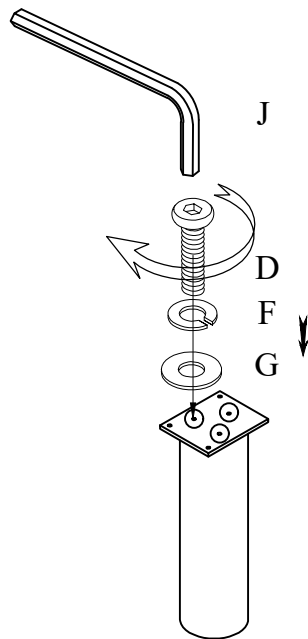
STEP 1:



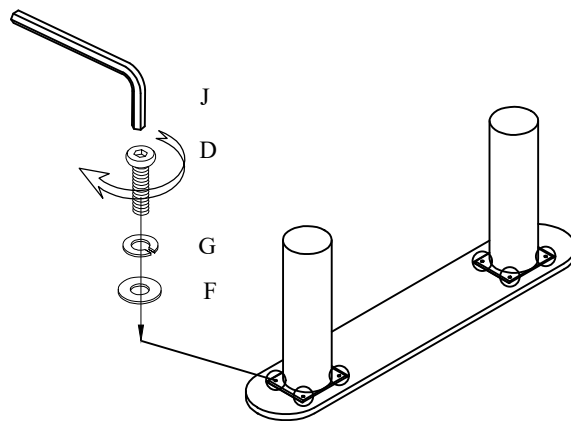
HARDWARE LIST

D		Bolt (Ø5/16"*1")	6pcs
F		Lock Washer (5/16")	6pcs
G		Flat Washer (5/16"*Ø3/4")	6pcs
J		Allen Wrench (5mm)	1pc

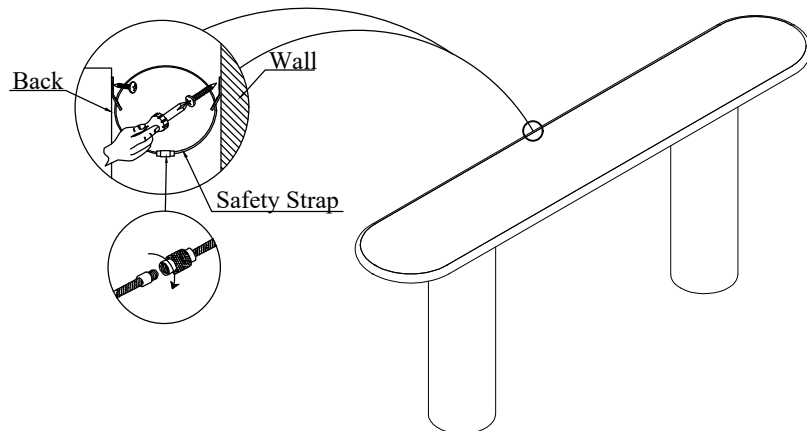
STEP 2:



STEP 3:



Optional choice: tipping restraint



OK