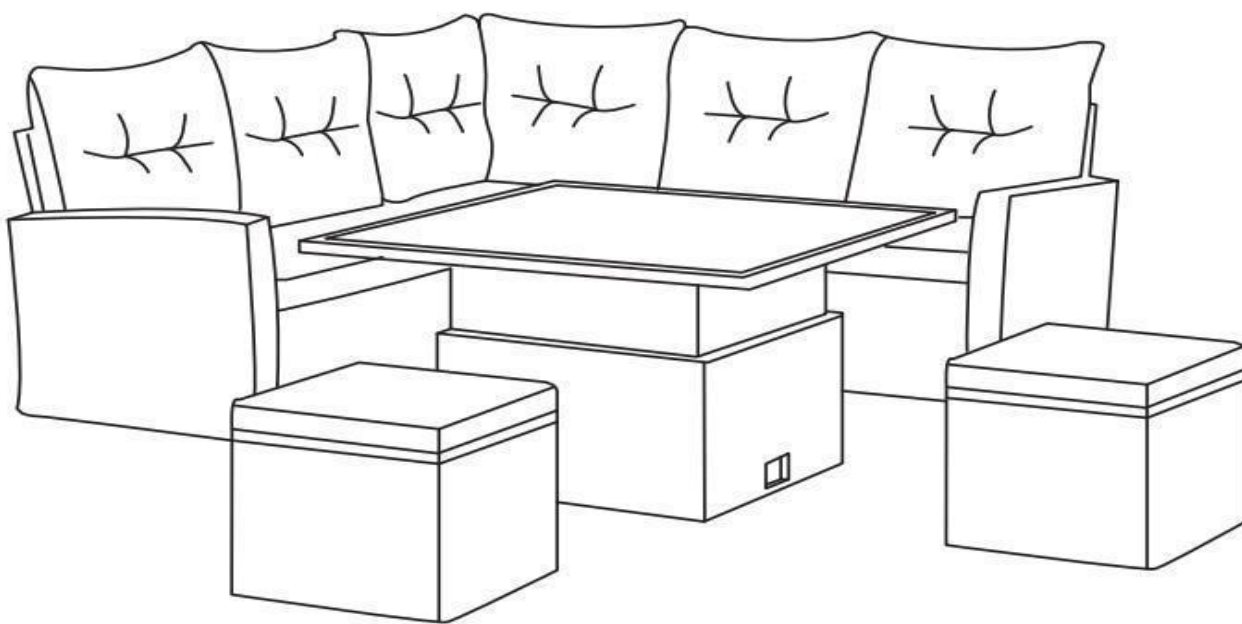


# Corner Sofa Set Grey Rattan Grey Cushion





# SAFETY AND CARE ADVICE

PLEASE READ THESE INSTRUCTIONS CAREFULLY AND KEEP FOR FUTURE

- Check you have all the components and tools listed on pages 1 & 2.
- Remove all fittings from the plastic bags and separate them into their groups.
- Keep children and animals away from the work area, small parts could choke if swallowed.
- Make sure you have enough space to layout the parts before starting.
- Do not stand or put weight on the product, this could cause damage.
- Assemble on a soft level surface to avoid damaging the unit or your floor (use opened out unit carton).
- We do not recommend the use of power drill/drivers for inserting screws, as this could damage the unit. Only use hand screwdrivers.

· **HEALTH AND SAFETY:**

*DO NOT jump on this sofa bed.*

*DO NOT use this sofa bed if any parts are missing, damaged or worn.*

*DO NOT use this sofa bed unless all fixings are secured.*

· **WARNING:**














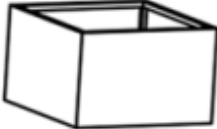


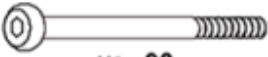

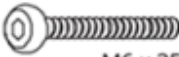
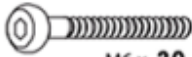
*If this sofa bed is placed on non-carpeted floor you must place some Protection under all legs to stop the sofa bed frame from moving. If this is not adhered to there is no guarantee if the sofa bed frame collapses.*

· **HANDY HINT:**

*If you keep the hardware in a bowl during assembly you will be less likely to lose them.*



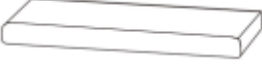

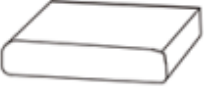



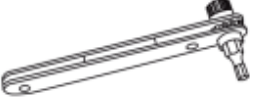


# COMPONENTS

<p>A</p>  <p>x1</p>	<p>B</p>  <p>x1</p>	<p>C</p>  <p>x1</p>	<p>D</p>  <p>x1</p>
<p>E</p>  <p>x1</p>	<p>F</p>  <p>x1</p>	<p>G1</p>  <p>x1</p>	<p>G2</p>  <p>x1</p>
<p>H</p>  <p>x2</p>	<p>I</p>  <p>x4</p>	<p>J</p>  <p>x4</p>	<p>K</p>  <p>x1</p>
<p>L</p>  <p>x1</p>	<p>M</p>  <p>x1</p>	<p>N</p>  <p>Clear Tempered Glass</p> <p>x1</p>	<p>O</p>  <p>x1</p>
<p>P</p>  <p>M6 x 90</p> <p>x2</p>	<p>Q</p>  <p>M6 x 45</p> <p>x1</p>	<p>R</p>  <p>M6 x 35</p> <p>x 21</p>	<p>R1</p>  <p>M6 x 30</p> <p>x 28</p>

# COMPONENTS

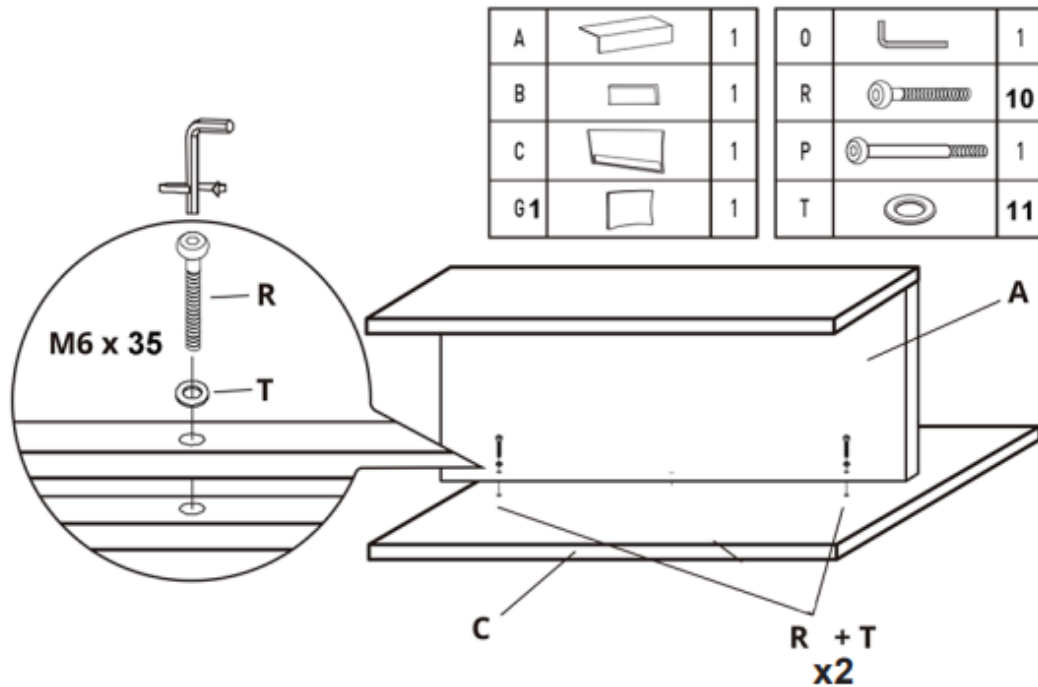
---

<b>T</b>  <b>x 52</b>	<b>V</b>  <b>x 6</b>	<b>W</b>  <b>x1</b>	<b>X</b>  <b>x1</b>
<b>Y</b>  <b>x2</b>	<b>Z</b>  <b>x2</b>	<b>A1</b>  <b>x8</b>	<b>A2</b>  <b>x12</b>
<b>A3</b>  <b>x1</b>			

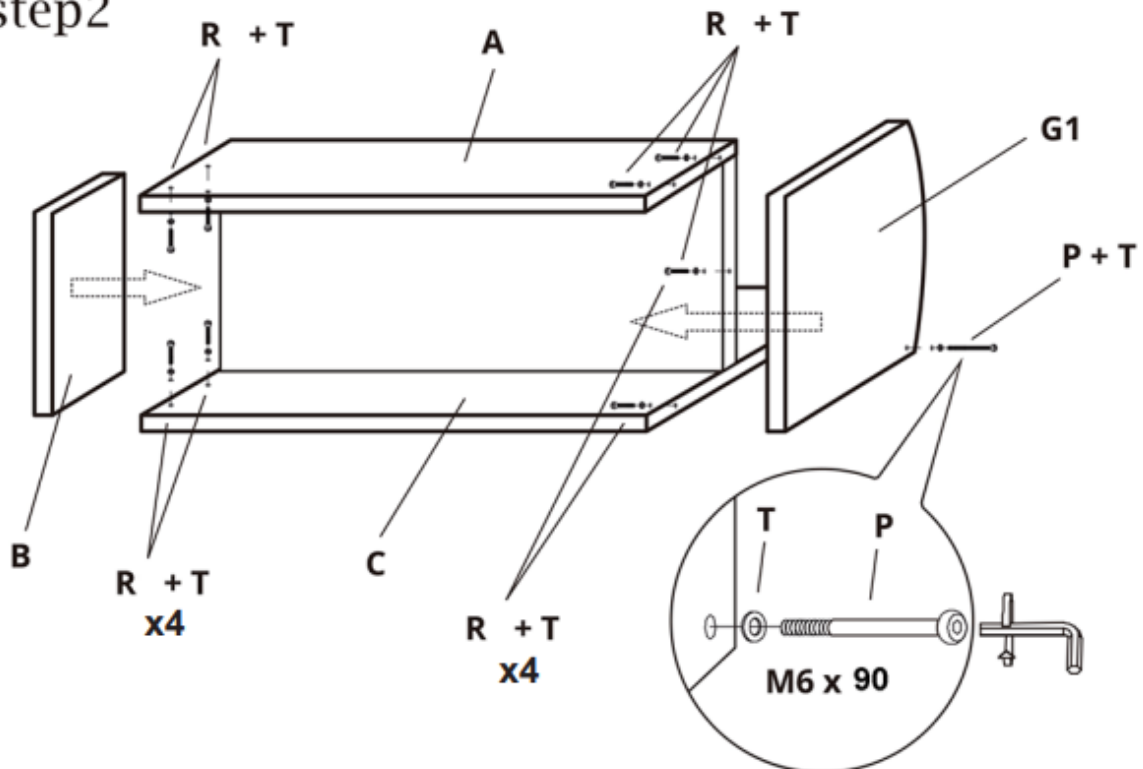
# ASSEMBLY INSTRUCTIONS

## step1

Please note, When building this product bolts should be finger tightened until all parts are in place. Only once all parts and bolts are assembled should bolts then be fully tightened using the ratchet.



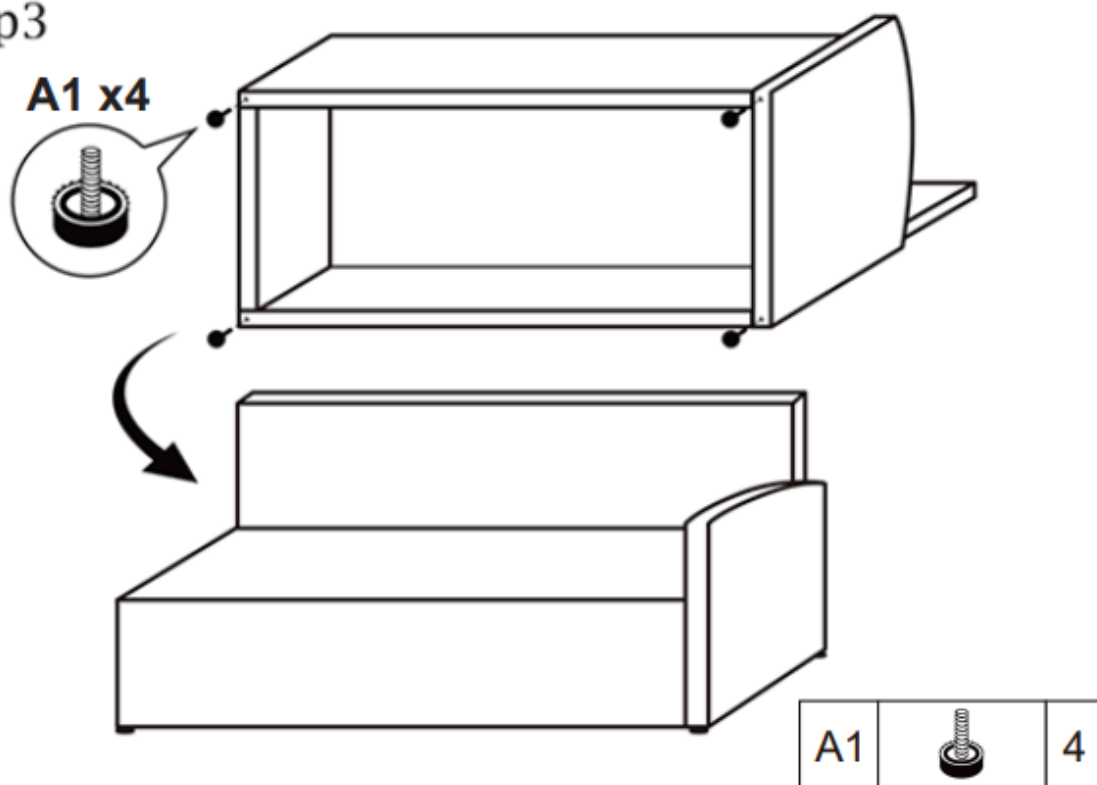
## step2



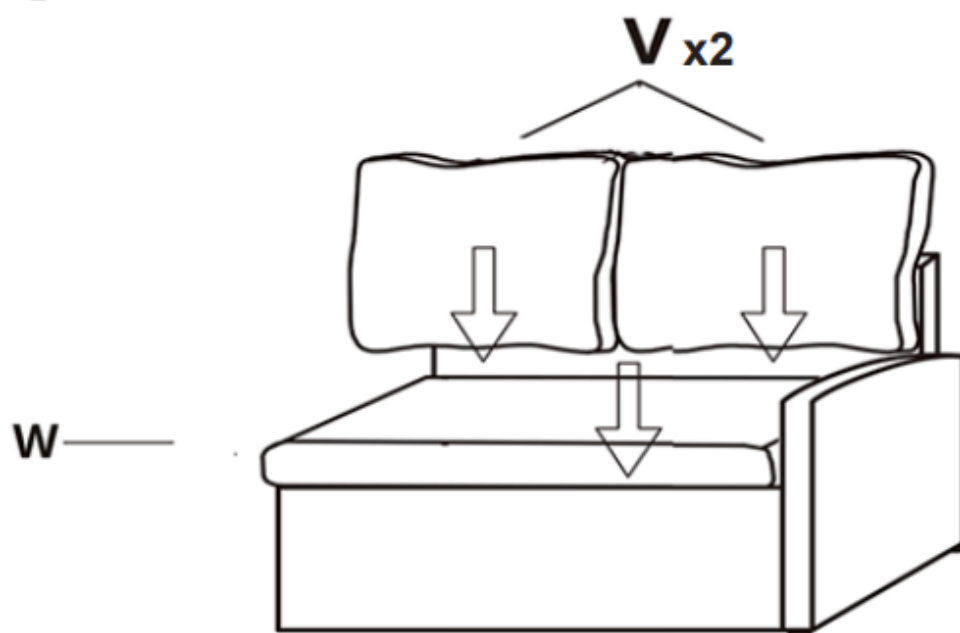
# ASSEMBLY INSTRUCTIONS

---

step3



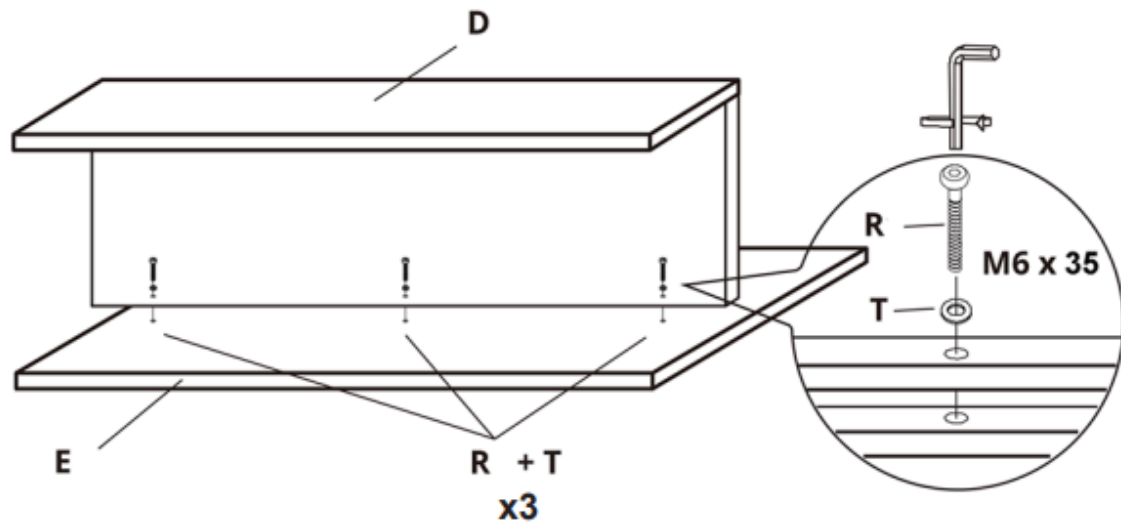
step4



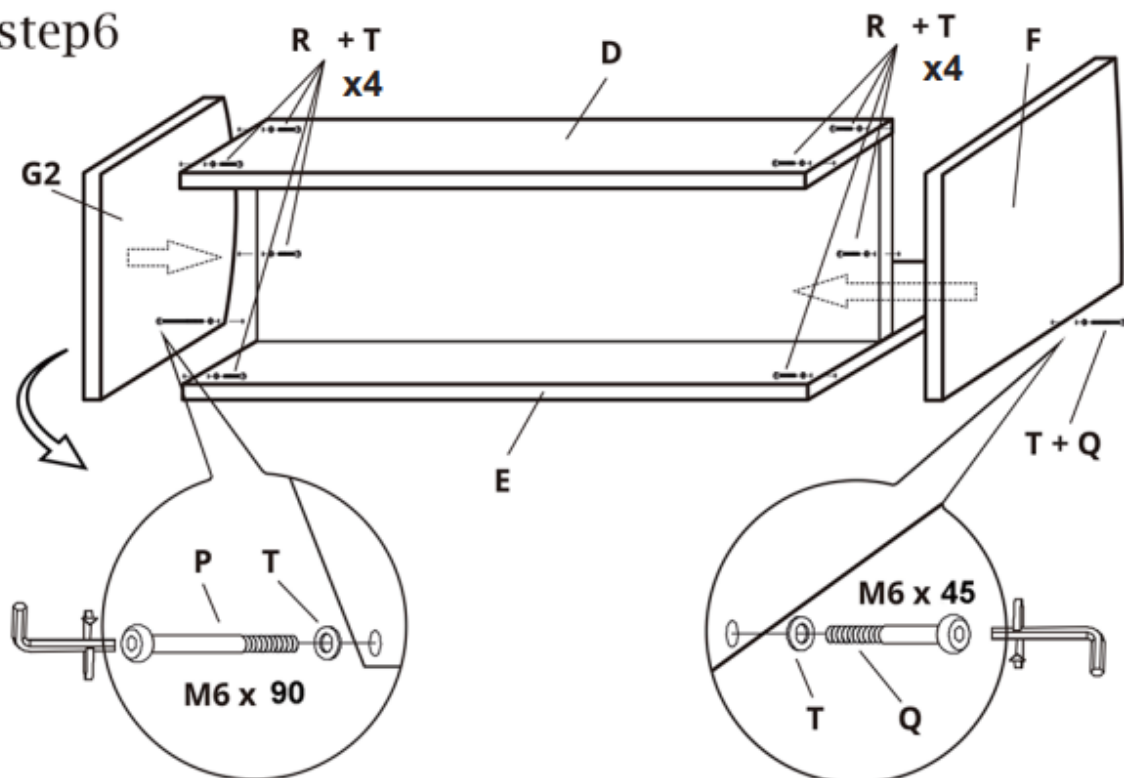
# ASSEMBLY INSTRUCTIONS

step5

D		1	G2		1	P		1
E		1	O		1	Q		1
F		1	T		13	R		11

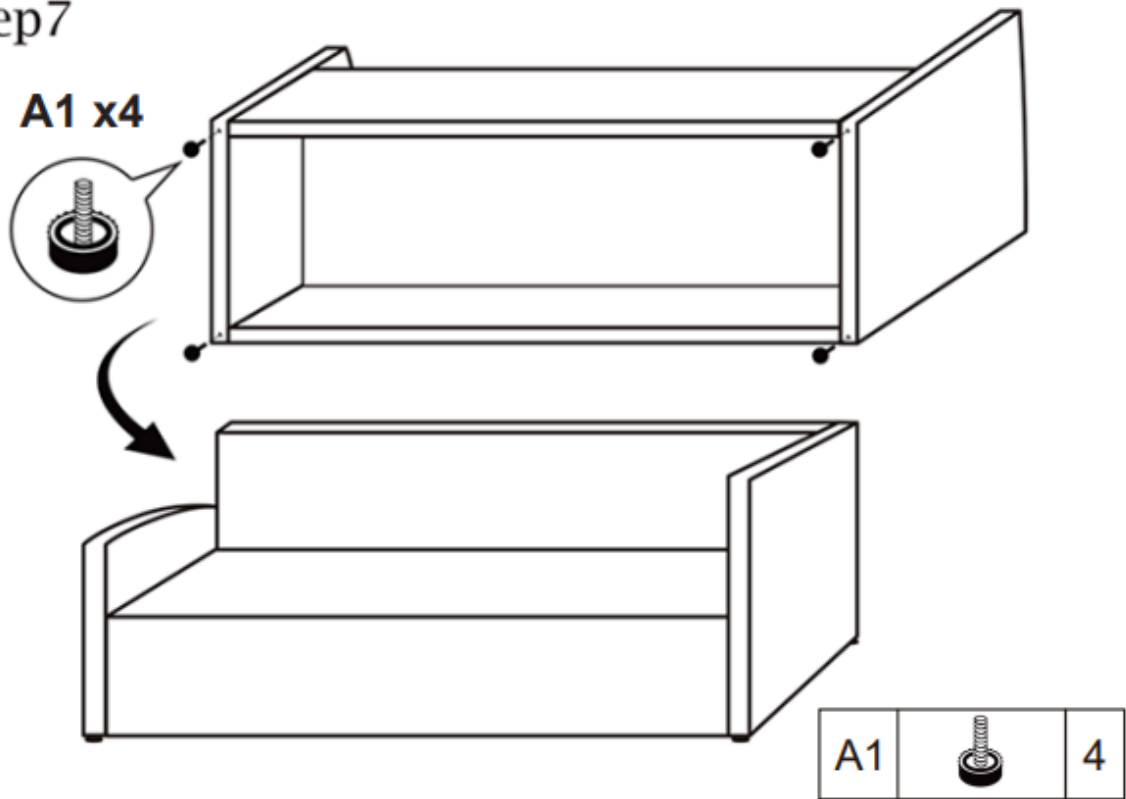


step6

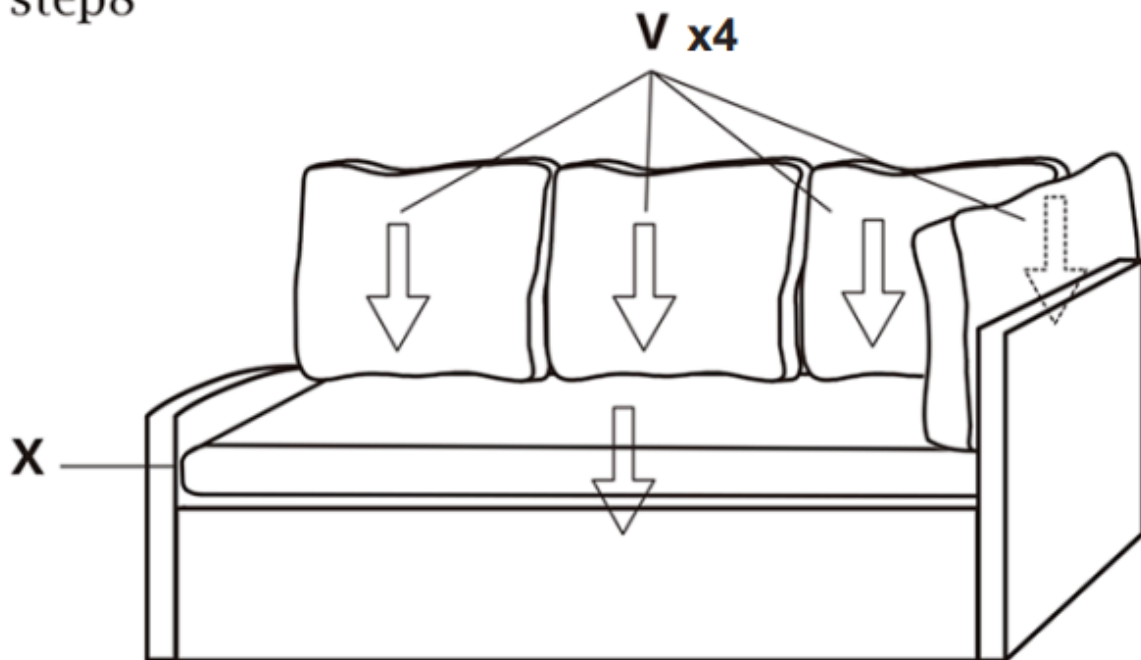


# ASSEMBLY INSTRUCTIONS

step7

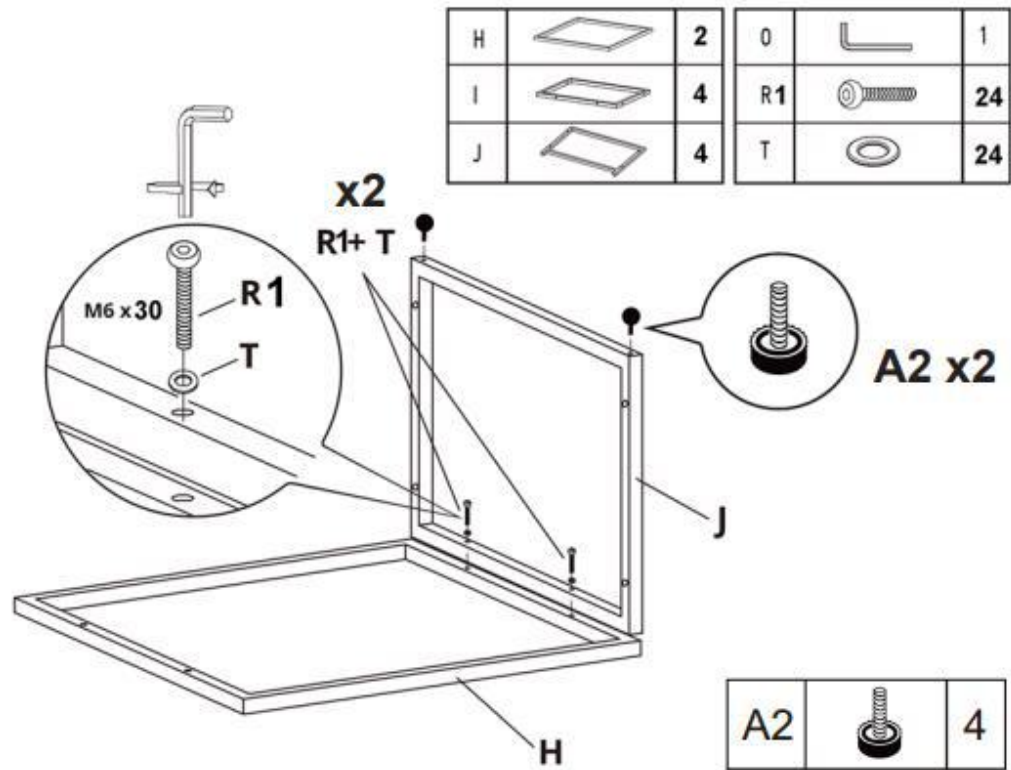


step8

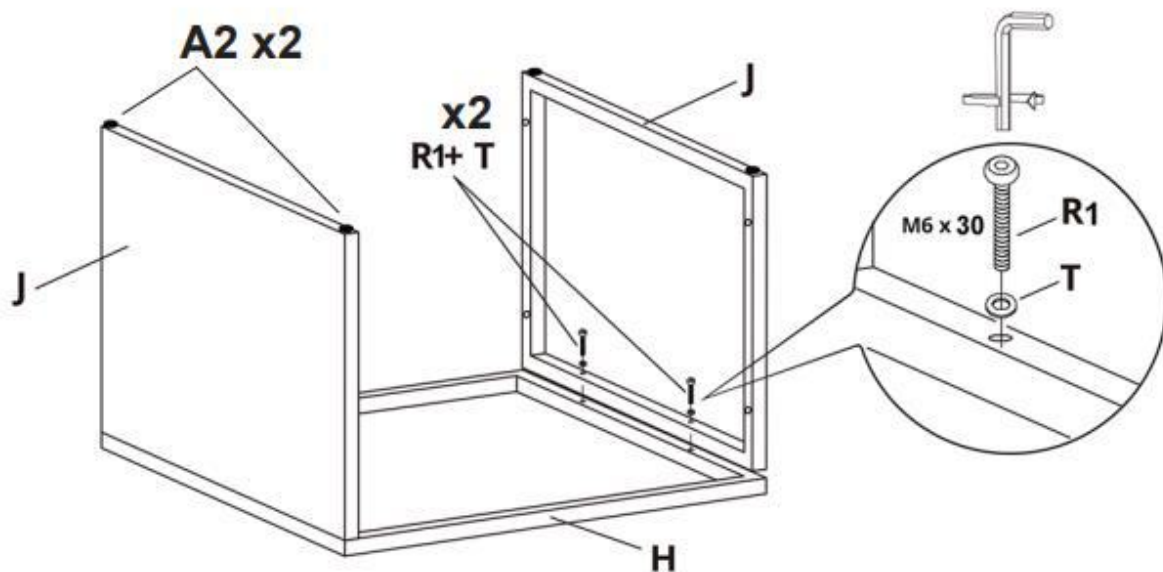


# ASSEMBLY INSTRUCTIONS

step9



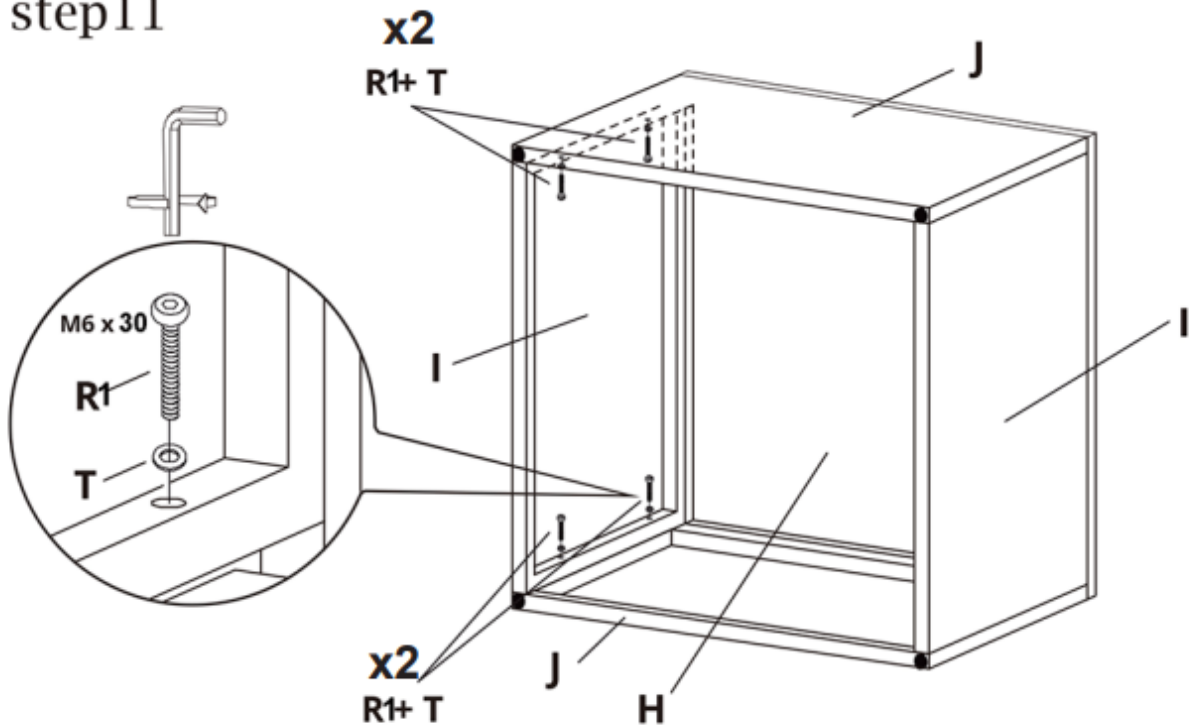
step10



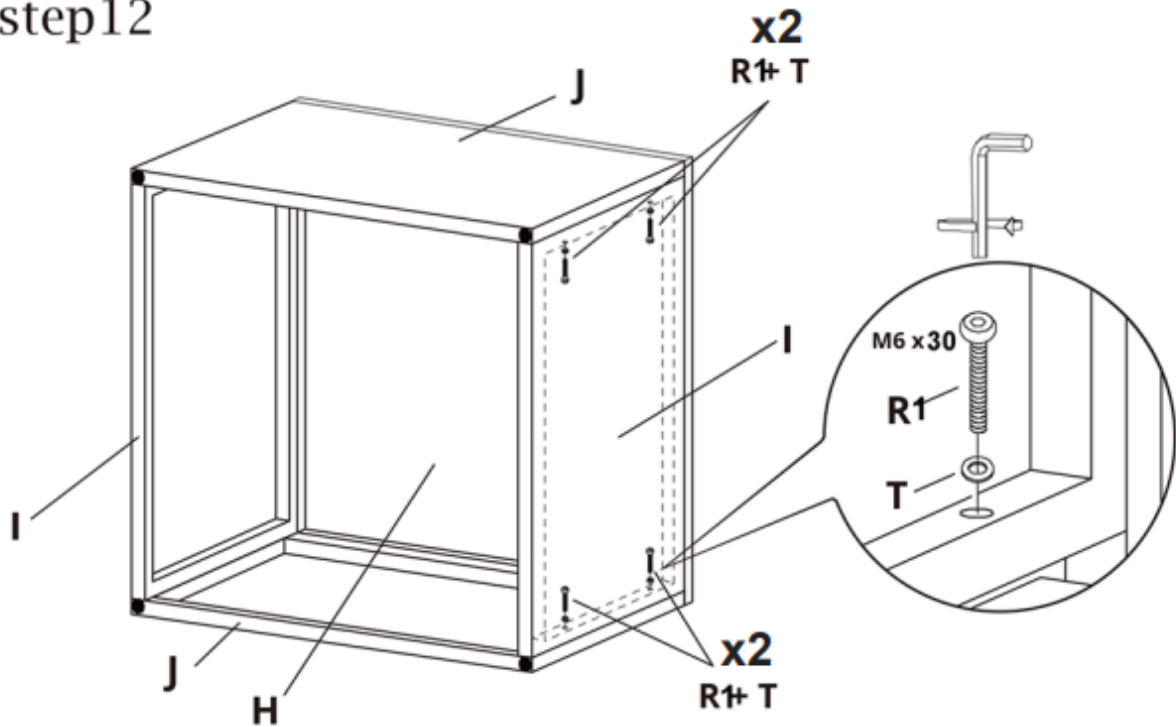
# ASSEMBLY INSTRUCTIONS

---

step11





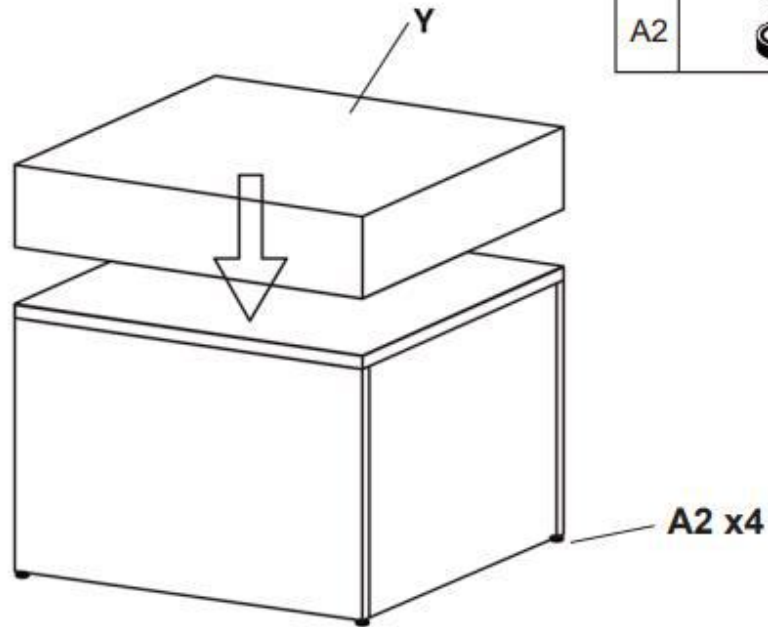
step12









# ASSEMBLY INSTRUCTIONS

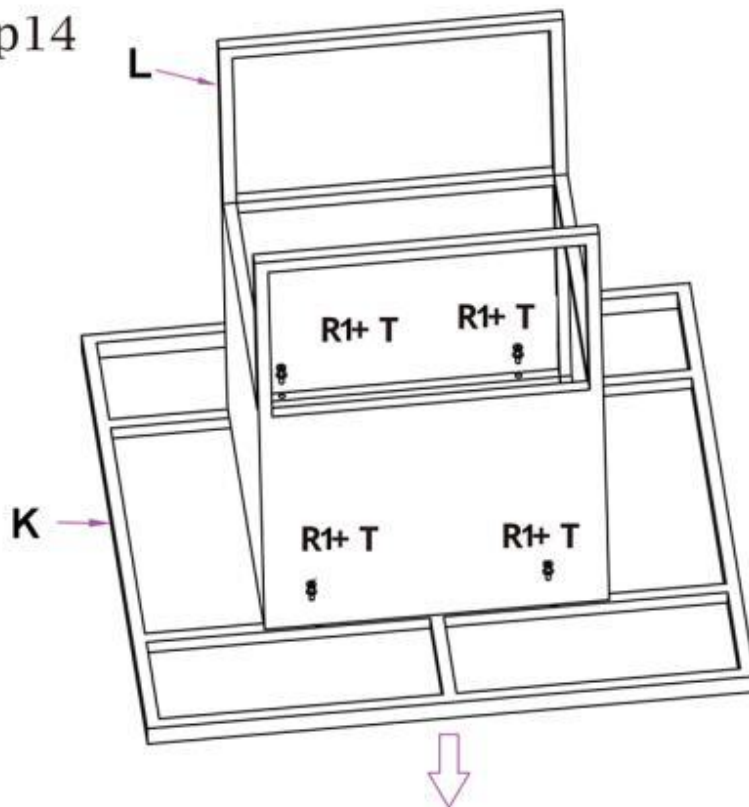
step13

Y		2
A2		4



step14

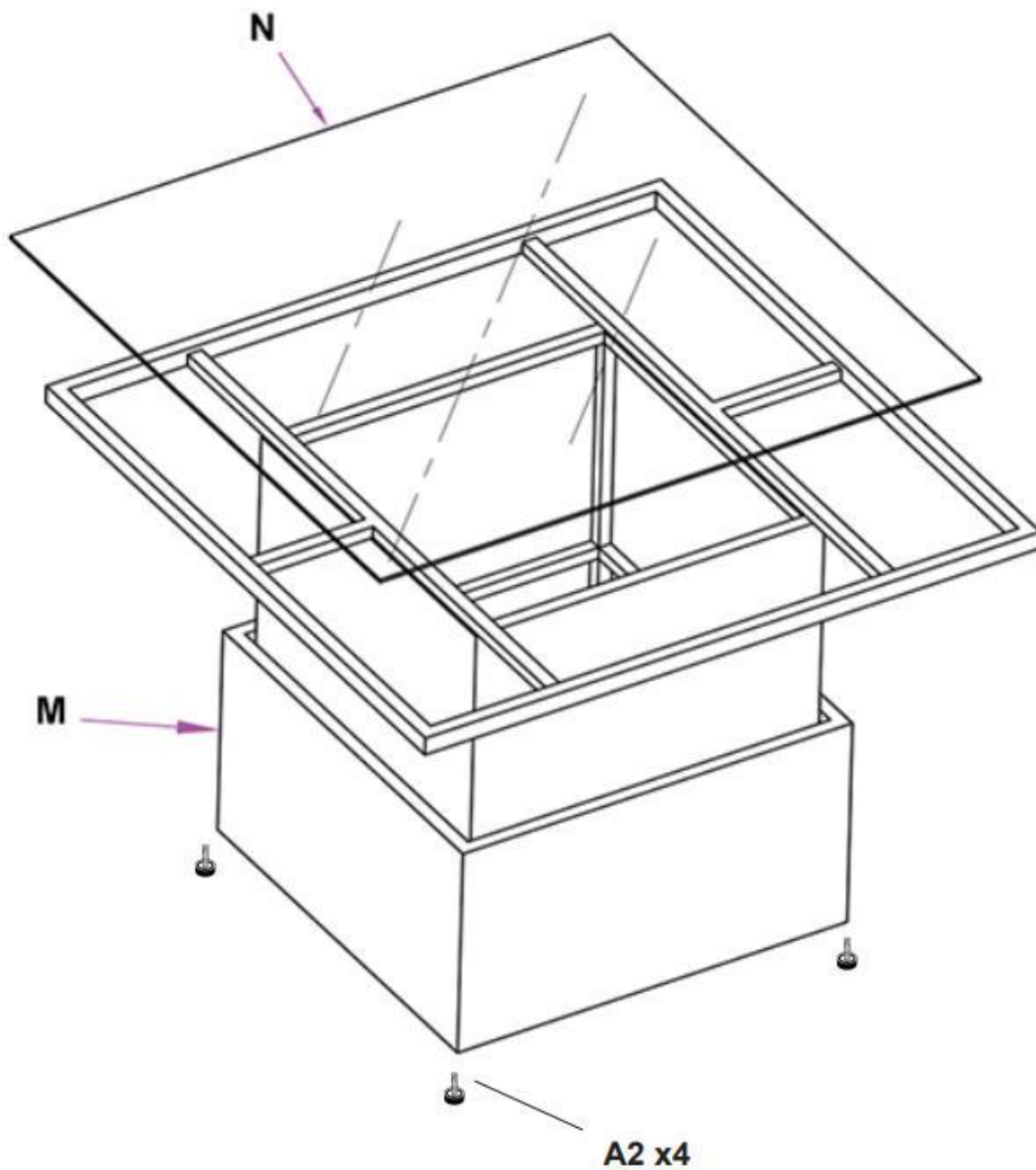
K		1
L		1
M		1
N		1
R1		4
T		4



# ASSEMBLY INSTRUCTIONS

step15

A2		4
----	---	---



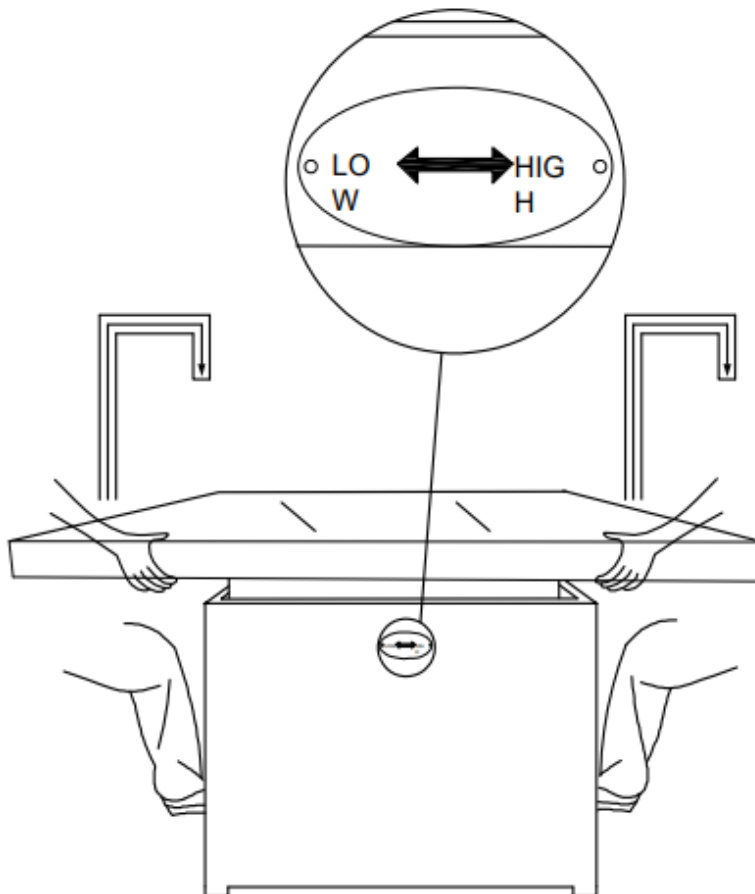
# ASSEMBLY INSTRUCTIONS

---

Please follow the direction of metal badge on the table , which shows how to change the height.

## OPTION 1: High dining table

Firstly, with one person on each side of the table, place one foot each in the hole on either side of the table, then lift the table top up and push it to the right side to fix the height as depicted on the metal badge.

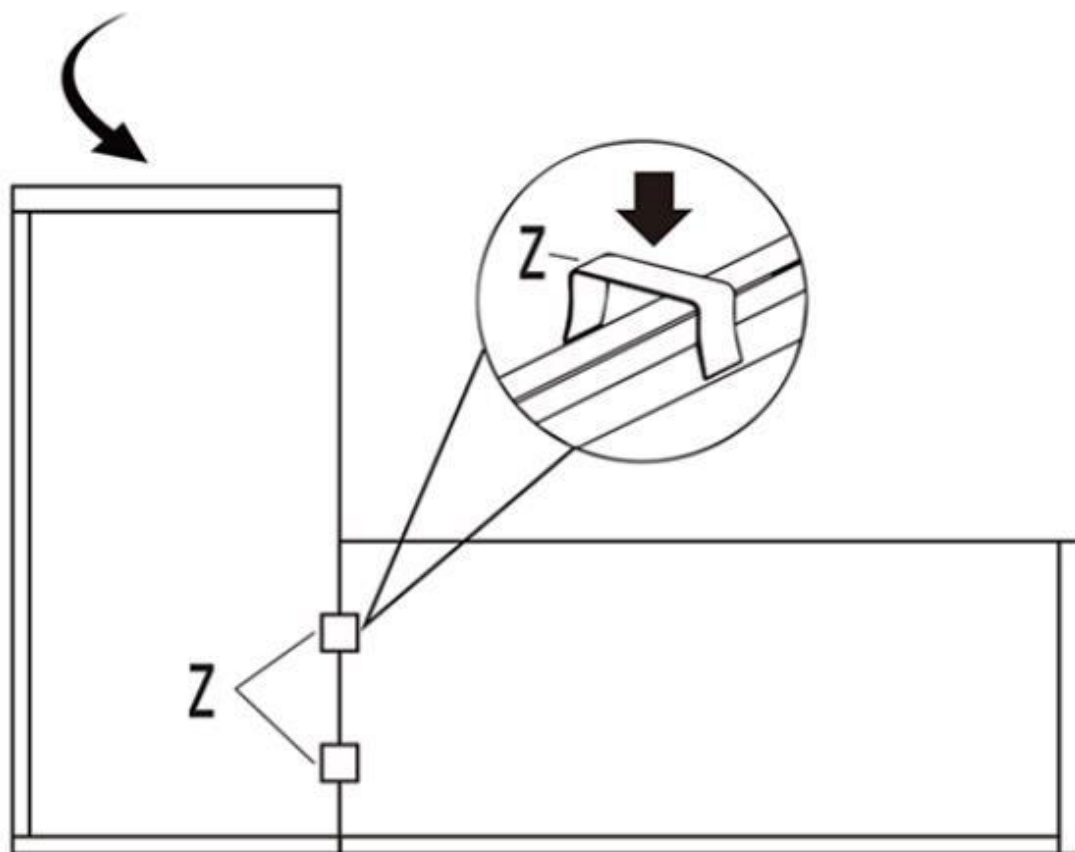
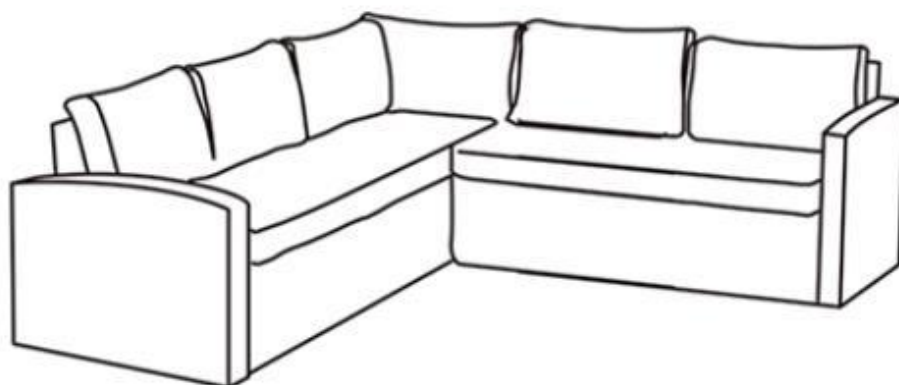


## OPTION 2: Low coffee table

Firstly, with one person on each side of the table, place one foot each in the hole on either side of the table, then push it to the left side to lower the height as depicted on the metal badge.

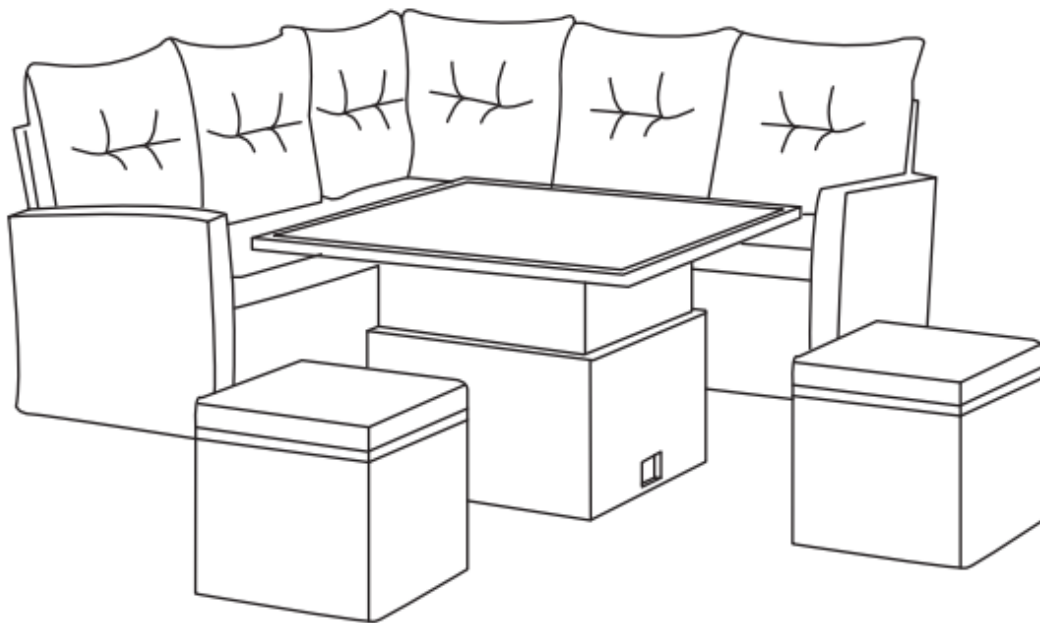
# ASSEMBLY INSTRUCTIONS

step17



# ASSEMBLY INSTRUCTIONS

---



*Congratulations!  
Now you have finished assembling the product.*