






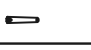






CARE AND MAINTENANCE

Spot clean using a mild water-free solvent. Only a professional cleaner should undertake a complete overall cleaning.
The use of steam or water-based cleaners may cause excessive shrinking or staining.

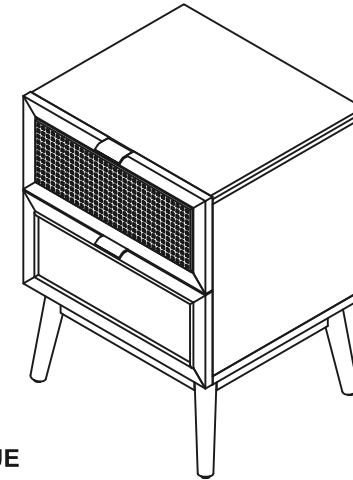
NOTICE

- * Please make sure that you have all parts indicated before you begin assembly of this item.
- * This item should be assembled on a soft surface to prevent scratching the finish during assembly.
- * This item may require periodic tightening.

Part List and Hardware List




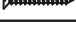
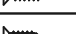






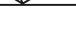

PIECE	DESCRIPTION	PICTURE	QUANTITY
A	TOP PANEL		1X
B	LEFT PANEL		1X
C	RIGHT PANEL		1X
D	BOTTOM ASSEMBLY		1X
E	BACK PANEL		1X
F	LEG		4X
G	UPPER DRAWER FRONT		1X
H	DRAWER LEFT		2X
I	DRAWER RIGHT		2X
J	DRAWER BACK		2X
K	DRAWER BASE		2X
L	LOWER DRAWER FRONT		1X

Product Dimensions: 18"W x 16"D x 24"H



WEIGHT CAPACITY :
TOP : 110 LBS
DRAWER : 30 LBS

**WARNING: DO NOT OVER TORQUE
BOLTS/SCREWS**

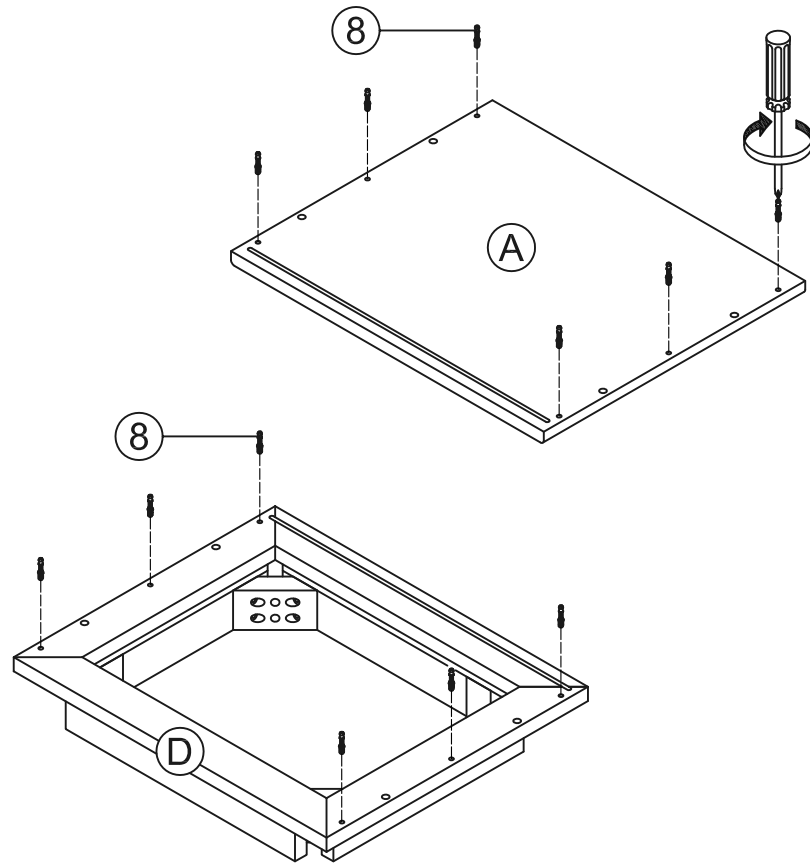
PIECE	DESCRIPTION	PICTURE	QUANTITY
1	65 MM BOLT	M6x65mm 	8X
2	SPRING WASHER		8X
3	FLAT WASHER		8X
4	1 1/4" FLAT HEAD SCREW	M3x32mm 	16X
5	3/4" FLAT HEAD SCREW	M3x19mm 	4X
6	5/8" FLAT HEAD SCREW	M3x16mm 	6X
7	1/2" FLAT HEAD SCREW	M3x13mm 	4X
8	CAMBOLT		12X
9	CAMLOCK		12X
10	HANDLE		2X
11	WOODEN DOWEL		8X
12	ALLEN KEY		1X
13	WEDGE		6X

PREPARATION

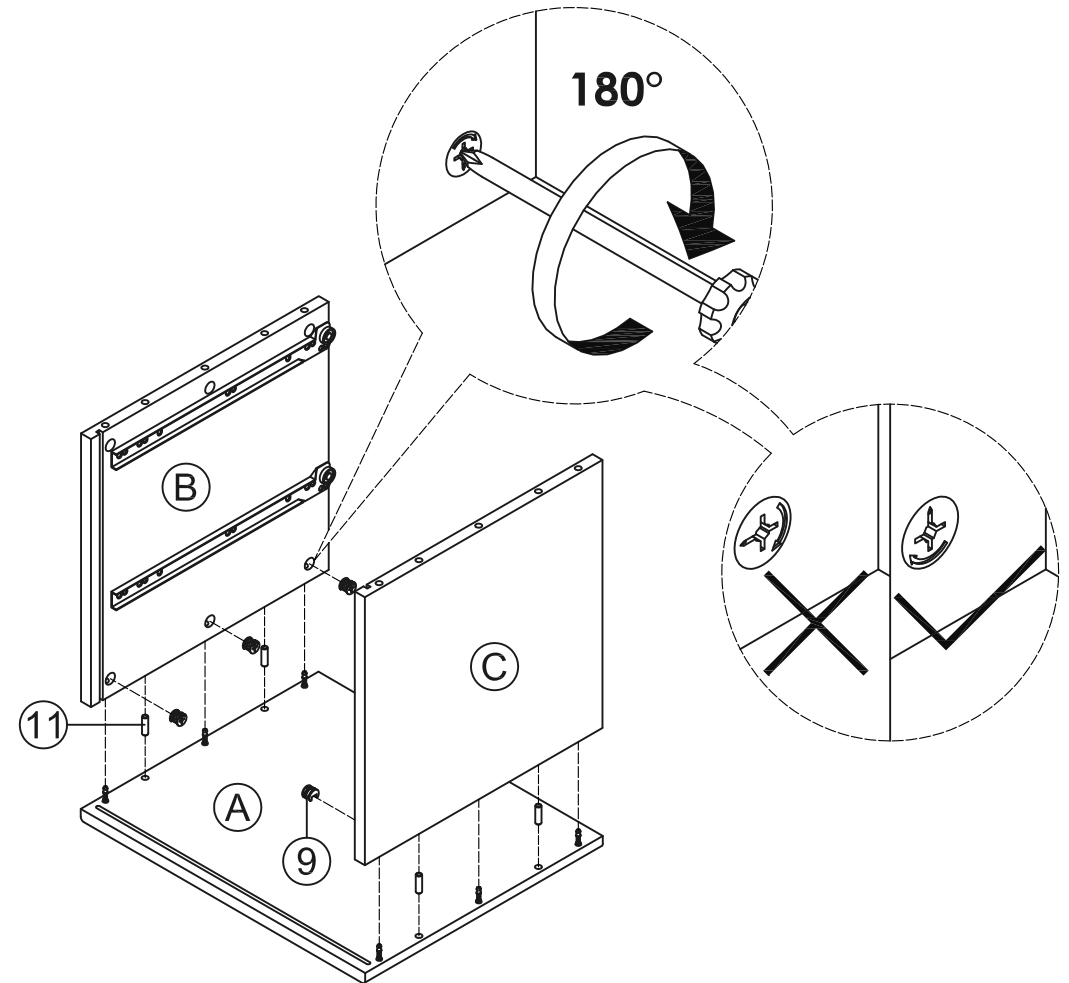
Before beginning assembly of product, make sure all parts are present. Compare parts with package contents list and hardware contents list.
If any part is missing or damaged, do not attempt to assemble the product.

Estimated Assembly Time: 60 minutes.

Tools Required for Assembly : Phillips Screwdriver



STEP 1 ATTACH CAMBOLTS TO TOP PANEL AND BOTTOM ASSEMBLY.



STEP 2 ATTACH LEFT AND RIGHT PANELS TO TOP PANEL USING CAMLOCKS AND WOODEN DOWELS.

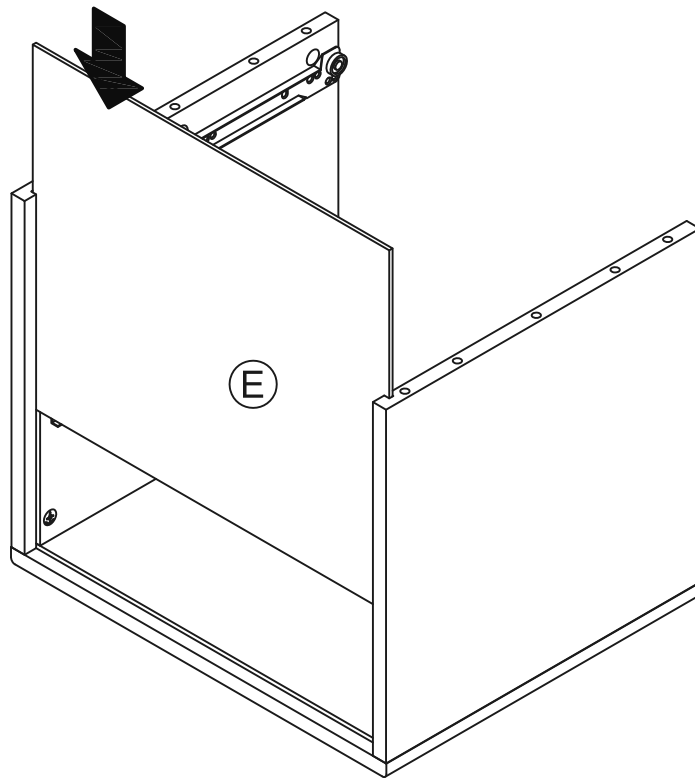
PREPARATION

Before beginning assembly of product, make sure all parts are present. Compare parts with package contents list and hardware contents list.

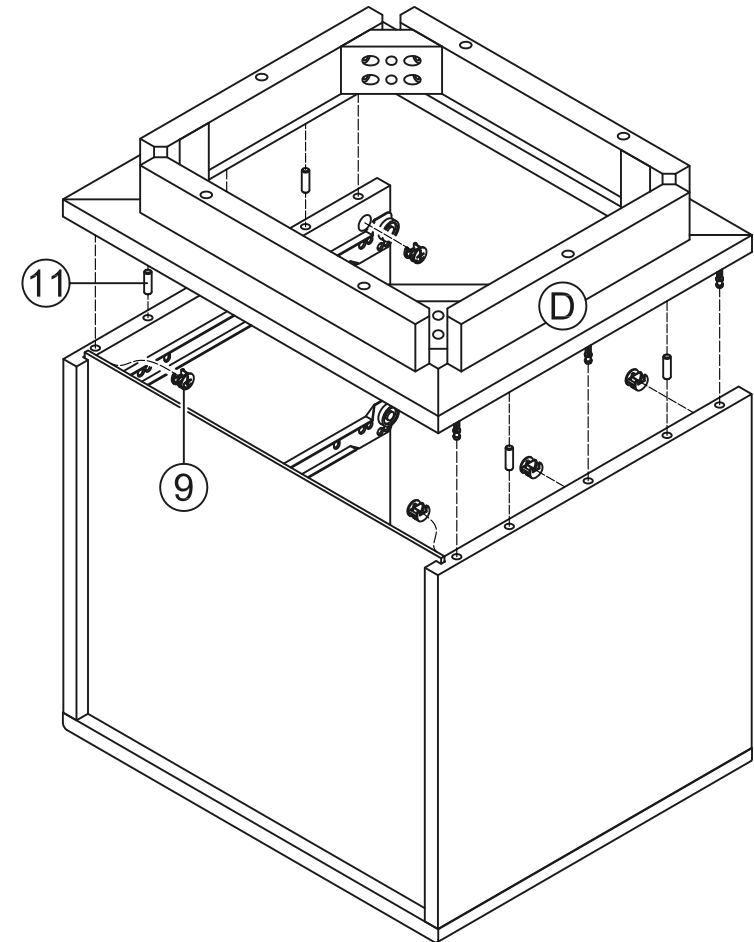
If any part is missing or damaged, do not attempt to assemble the product.

Estimated Assembly Time: 60 minutes.

Tools Required for Assembly : Phillips Screwdriver



STEP 3 SLIDE BACK PANEL INTO THE GROOVE OF UNIT.



STEP 4 ATTACH BOTTOM ASSEMBLY TO UNIT USING CAMLOCKS AND WOODEN DOWELS.

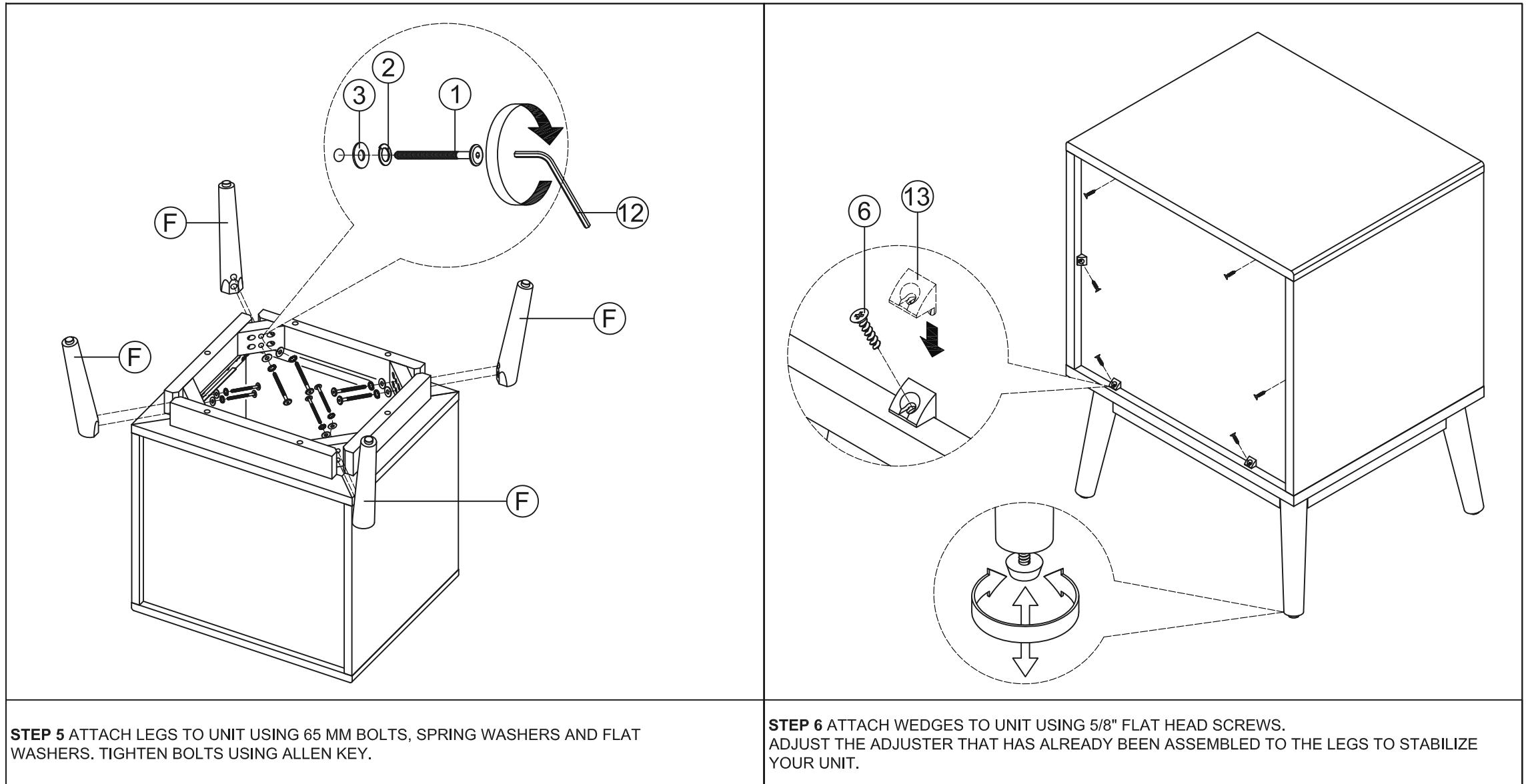
PREPARATION

Before beginning assembly of product, make sure all parts are present. Compare parts with package contents list and hardware contents list.

If any part is missing or damaged, do not attempt to assemble the product.

Estimated Assembly Time: 60 minutes.

Tools Required for Assembly : Phillips Screwdriver



STEP 5 ATTACH LEGS TO UNIT USING 65 MM BOLTS, SPRING WASHERS AND FLAT WASHERS. TIGHTEN BOLTS USING ALLEN KEY.

STEP 6 ATTACH WEDGES TO UNIT USING 5/8" FLAT HEAD SCREWS. ADJUST THE ADJUSTER THAT HAS ALREADY BEEN ASSEMBLED TO THE LEGS TO STABILIZE YOUR UNIT.

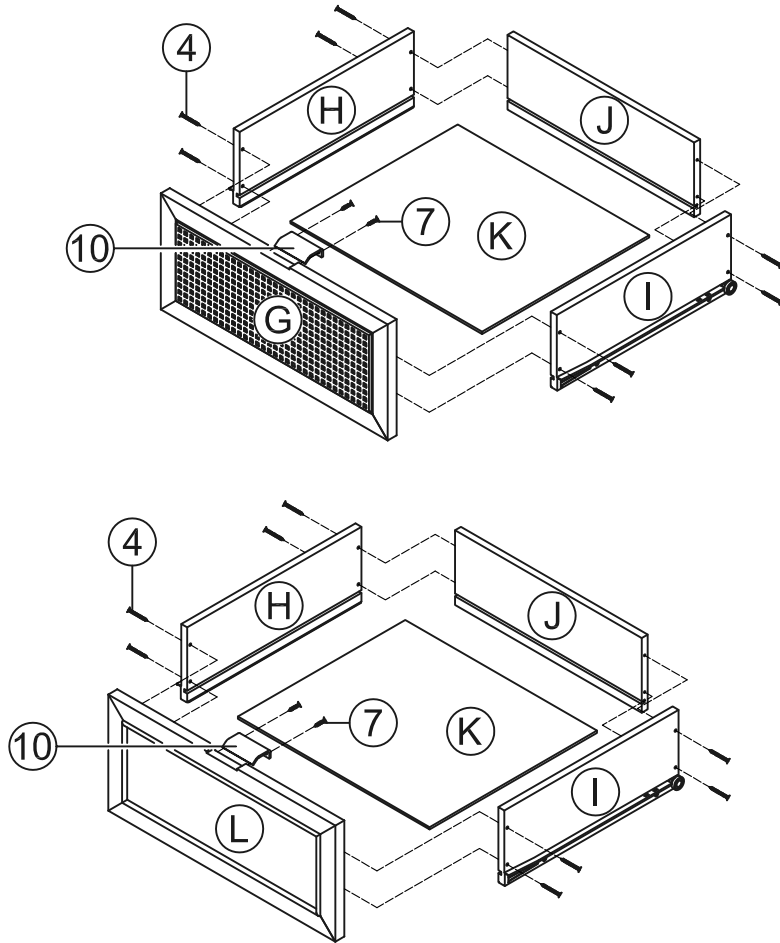
PREPARATION

Before beginning assembly of product, make sure all parts are present. Compare parts with package contents list and hardware contents list.

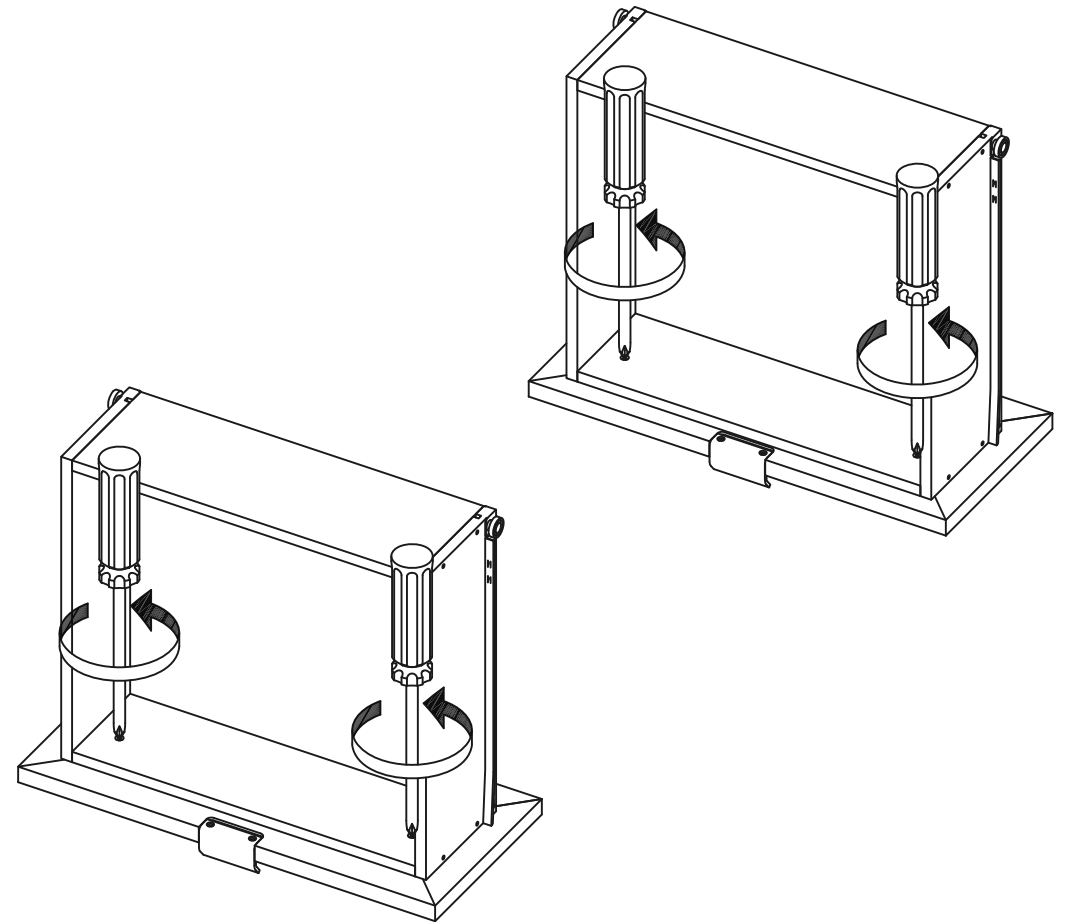
If any part is missing or damaged, do not attempt to assemble the product.

Estimated Assembly Time: 60 minutes.

Tools Required for Assembly : Phillips Screwdriver



STEP 7 ATTACH HANDLES TO UPPER AND LOWER DRAWER FRONT USING 1/2" FLAT HEAD SCREWS. ATTACH DRAWER LEFT AND RIGHT TO DRAWER BACK USING 1 1/4" FLAT HEAD SCREWS. SLIDE DRAWER BASE INTO THE GROOVE. ATTACH UPPER AND LOWER DRAWER FRONT TO DRAWER LEFT AND RIGHT USING 1 1/4" FLAT HEAD SCREWS.



STEP 8 LOOSEN SLIGHTLY THE SCREWS PRE-INSTALLED ON THE BACK OF THE UPPER AND LOWER DRAWER FRONTS.

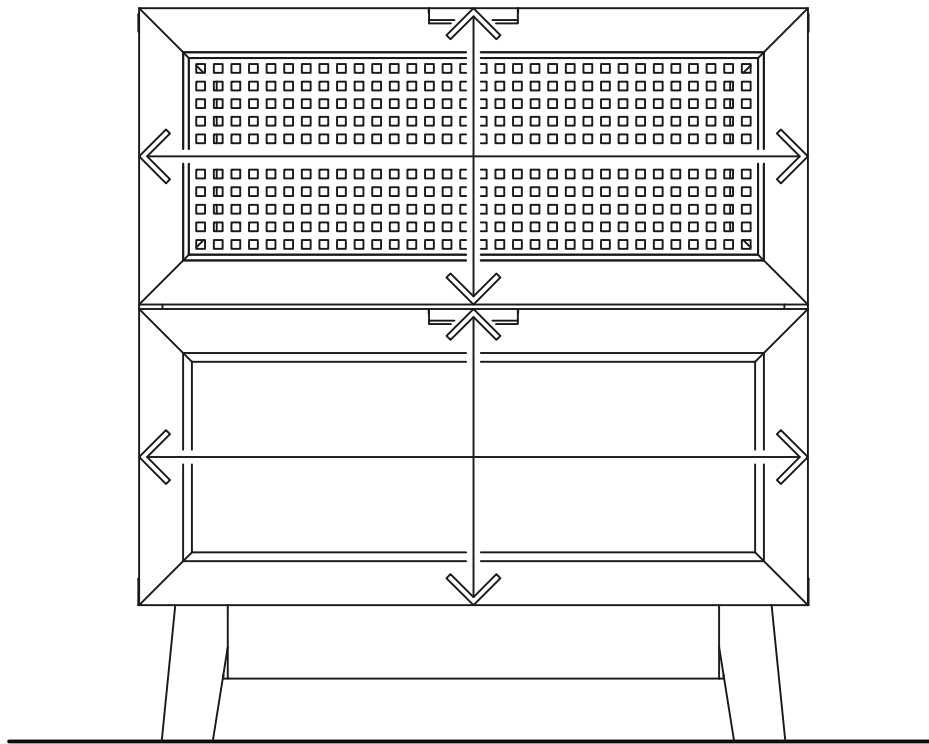
PREPARATION

Before beginning assembly of product, make sure all parts are present. Compare parts with package contents list and hardware contents list.

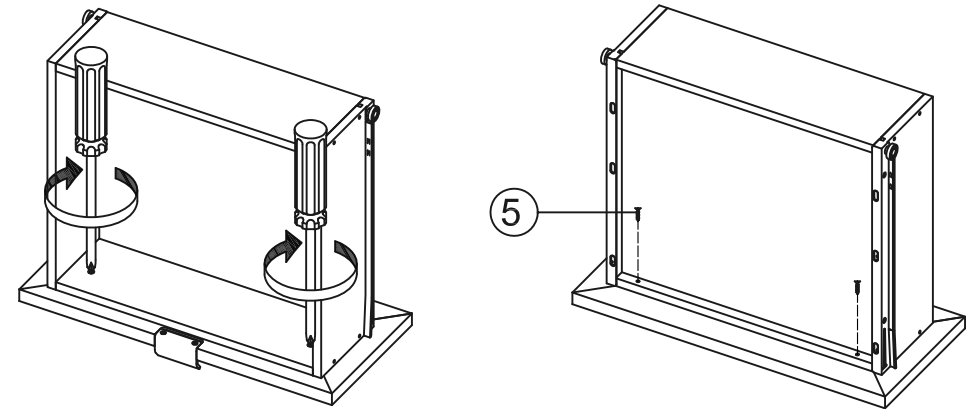
If any part is missing or damaged, do not attempt to assemble the product.

Estimated Assembly Time: 60 minutes.

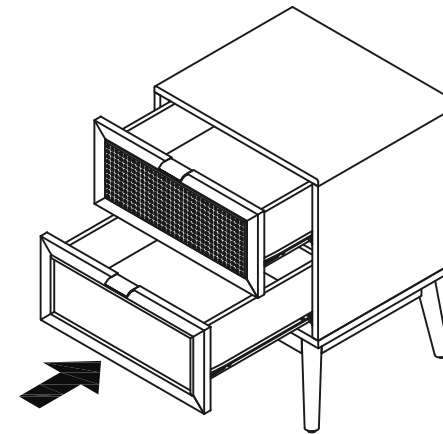
Tools Required for Assembly : Phillips Screwdriver



STEP 9 INSERT THE DRAWER INTO THE UNIT, THEN ADJUST THE DRAWER FRONT PANEL LEFT OR RIGHT AND UP OR DOWN UNTIL THE DRAWER GAPS LOOK PROPORTIONAL.



STEP 10 PULL THE DRAWER OPEN SLOWLY AND RE-TIGHTEN THE SCREWS FROM STEP 8. MAKE SURE THE FRONT PANEL DOES NOT MOVE AND LOCK THE DRAWER FRONT PANEL INTO POSITION WITH 3/4" FLAT HEAD SCREWS.



STEP 11 SLIDE THE DRAWERS INTO UNIT.