

Murphy Bed Set-up Guide

Congratulations and a Big Thank You for your purchase of a Murphy Bed! We sincerely appreciate your business!

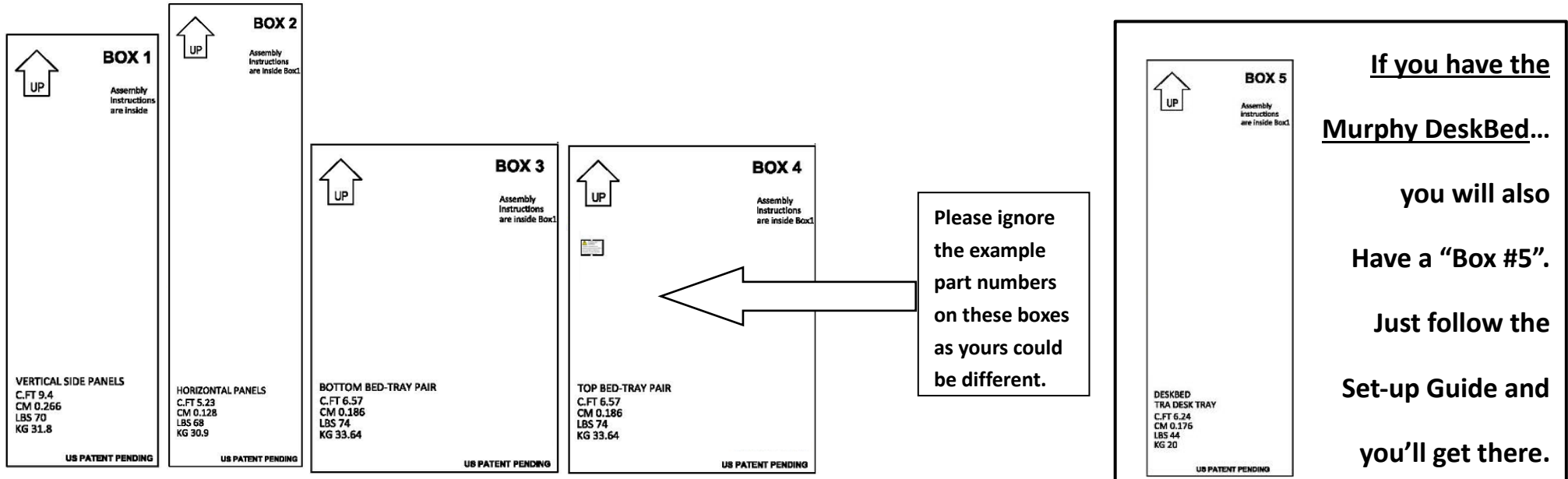
First – a few words of advice and caution:

1. Please do this job with two people. Attempting to do it alone, though heroic, could lead to product damage or injury because some things might be too heavy for just one person to safely handle. With two people, the job will be much smoother and safer – and a lot more fun!
2. Please read and follow the instructions carefully, as it will save time and avoid possible incorrect set-up of the product.
3. Please do not over-tighten screws and bolts, as it may lead to “stripping” the threads and make the connection weak. The best rule is “firm and snug is what we need”.
4. If you will be installing your Murphy Bed on a hard surface such as stone, hardwood floor, tile, (anything other than carpet), please lay down enough padding to lay the parts on while assembling. This will protect the Murphy bed parts from the floor, and vice-versa. We recommend enough blankets, comforters, moving blankets, etc., to cover at full 10foot x 10 foot area.

Note: Your ceiling height needs to be at least 91 1/2” for the Murphy Bed to be installed

PREPARATION FOR ASSEMBLY:

Please locate and confirm that you have the following 4 boxes to complete your Queen Size Murphy Bed.



If you have the
Murphy DeskBed...

you will also

Have a “Box #5”.

Just follow the

Set-up Guide and

you’ll get there.

PLEASE NOTE: The boxes are numbered “BOX 1” through “BOX 4”, please open the boxes as they are called for in this Set-Up Guide, beginning with BOX 1.

TOOLS & THINGS YOU NEED TO SUPPLY:

- A power drill gun with a #2 Phillips-head drive with a short extension.
- An Electronic Stud Finder.
- A step ladder that can safely hold your feet 30” off the floor.
- A pencil.
- A Queen-size mattress that is maximum 10” thick, and weighs maximum 70 lbs.

OTHER NOTES:

Please be aware that hardware parts will appear in each box as the Assembly Project progresses.
 If and when parts are left over after completing a step, please lay them aside for use in a later step!
 Please sift carefully through packing materials to make sure hardware packs don’t go out in the trash.

HAVE FUN! – and call us if you need assistance





HELPFUL HINT:

Throughout the assembly of your Murphy Bed, you will find it helpful to refer frequently to pages 25-28, where the contents of each bubble pack and hardware box are illustrated for easy reference.

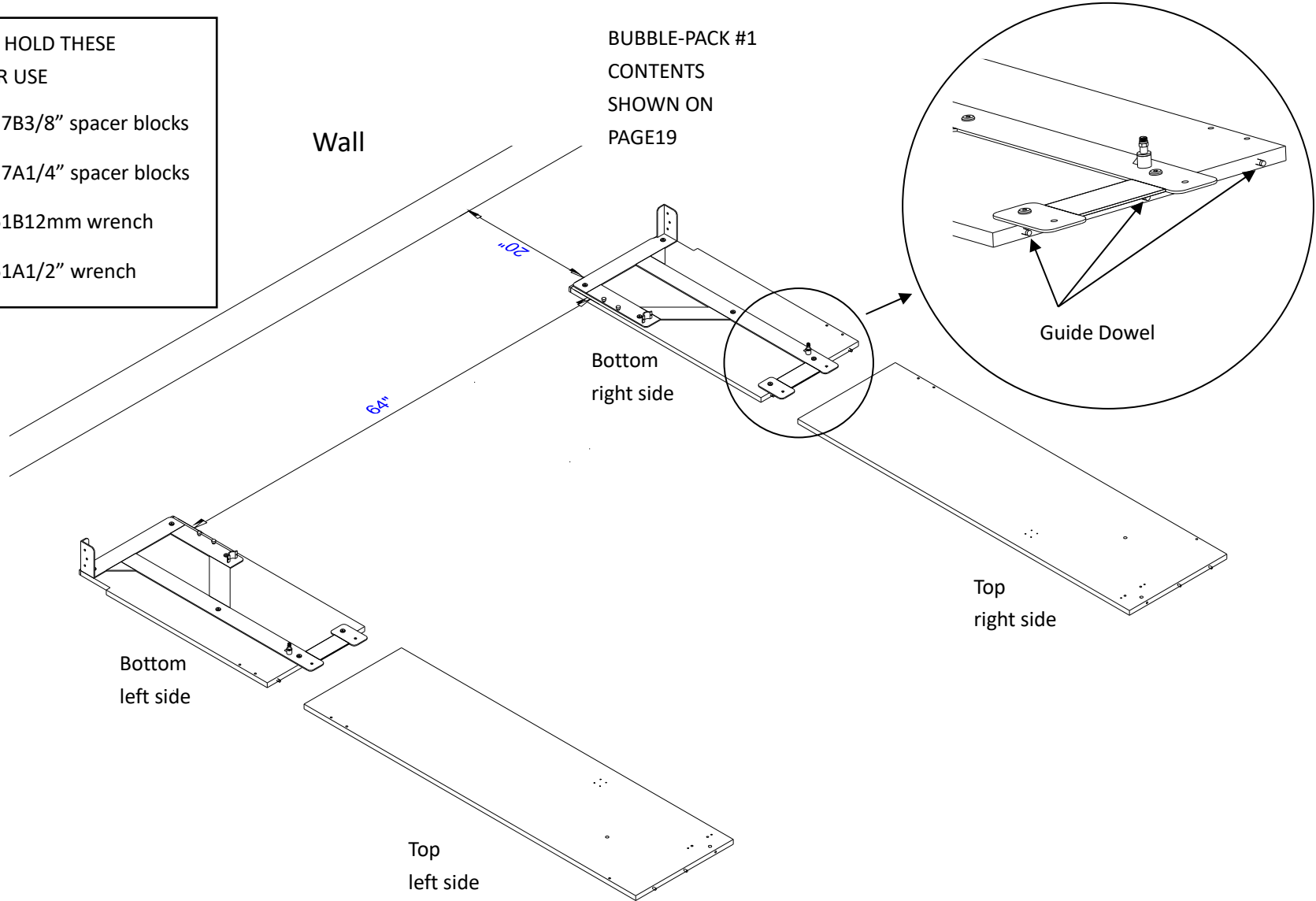
The bubble pack and hardware box contents for the desk bed can be found on page 31.

Setting up the Bed Case – part A

Step 1: Open Box #1, and lay out the top and bottom panels of the left and right side panels as shown, noting the distances marked between the panels and from the bottom edge of the side panels to the wall.

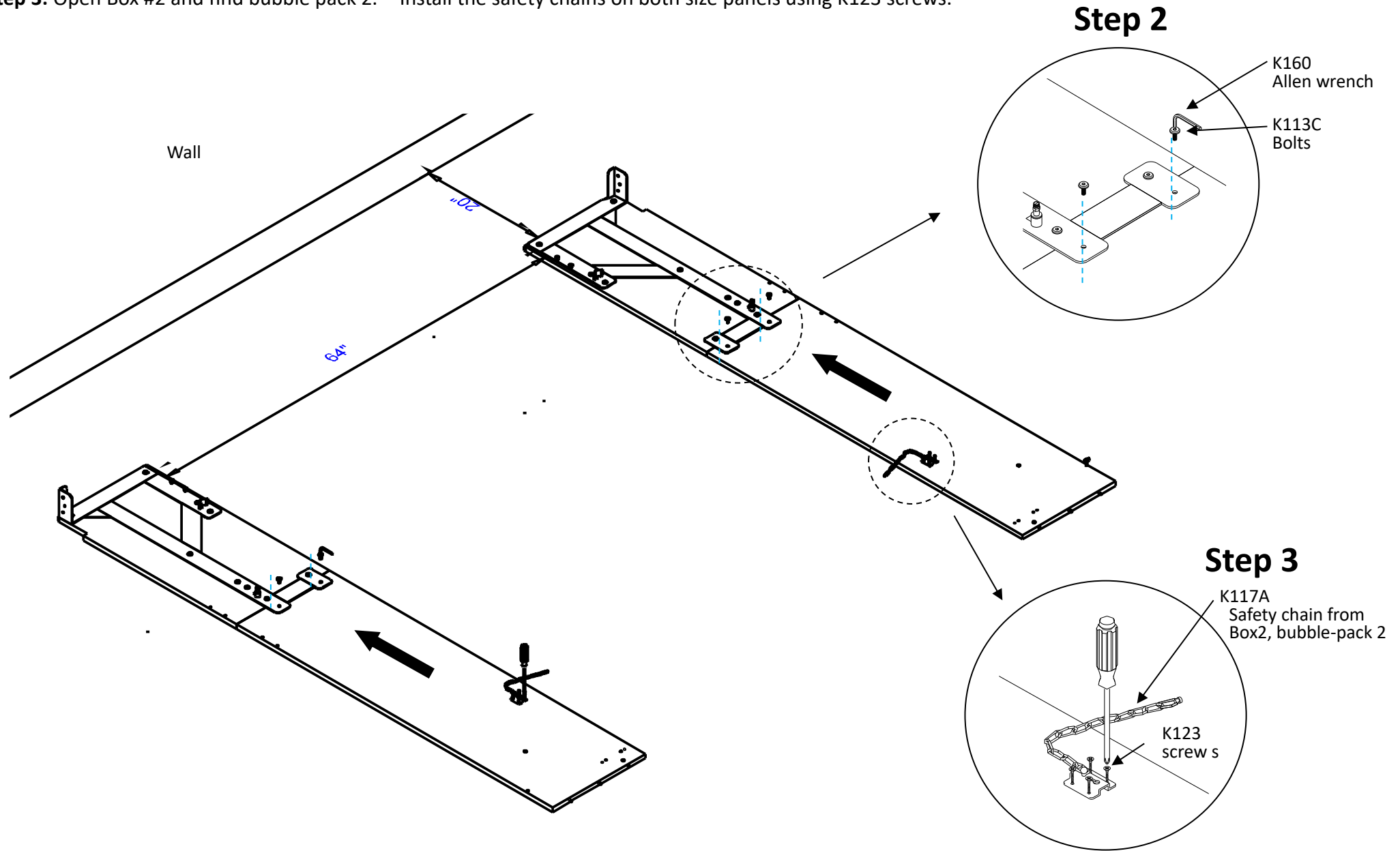
- FROM BUBBLE PACK1 - HOLD THESE PARTS ASIDE FOR LATER USE
-  K157B3/8" spacer blocks
 -  K157A1/4" spacer blocks
 -  K161B12mm wrench
 -  K161A1/2" wrench

BUBBLE-PACK #1
CONTENTS
SHOWN ON
PAGE19



Step 2: Align the top and bottom side panels with the guide dowels, then connect by using K113C bolts through the metal plate into imbedded sleeves.

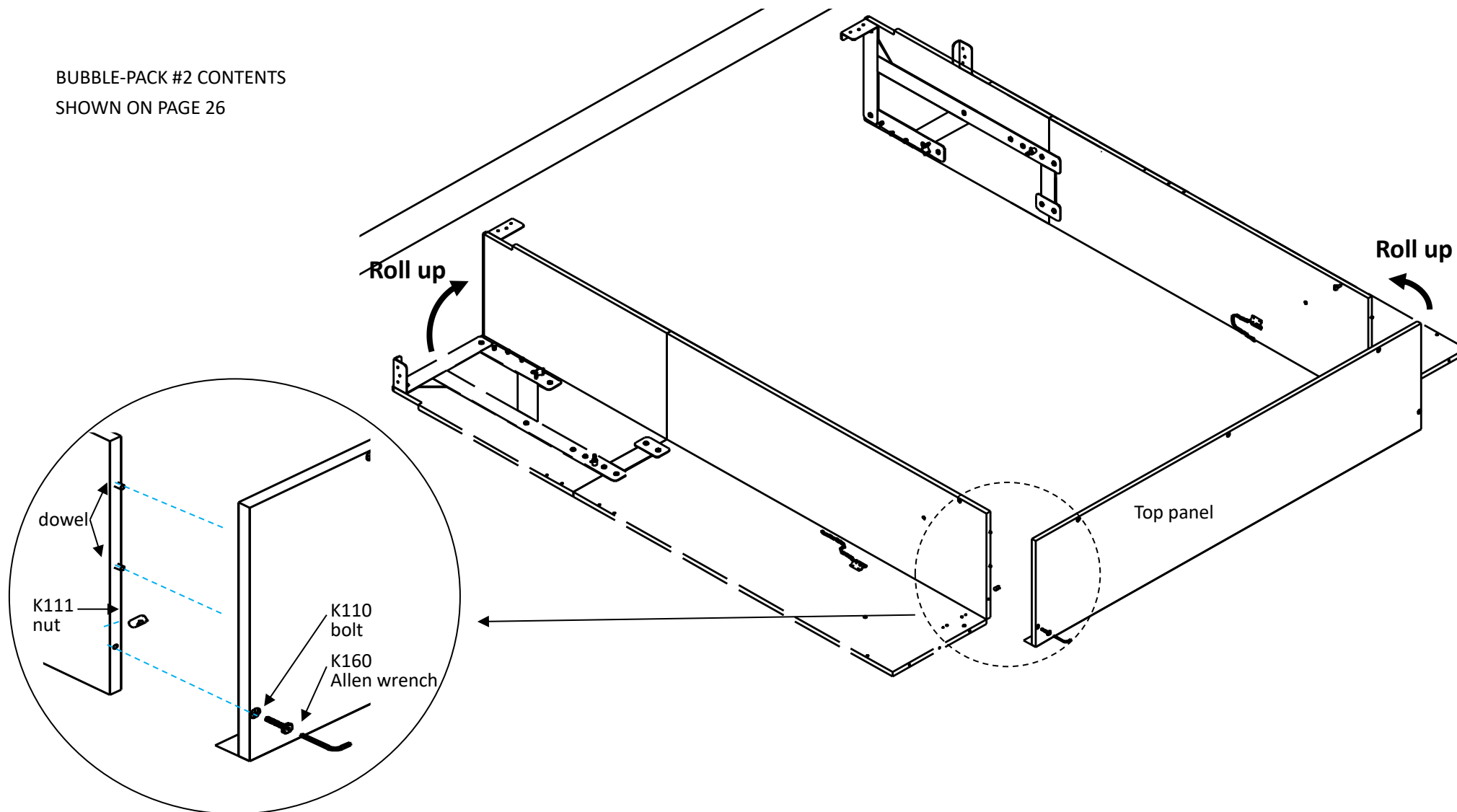
Step 3: Open Box #2 and find bubble pack 2. Install the safety chains on both size panels using K123 screws.



Setting up the Bed Case – part B

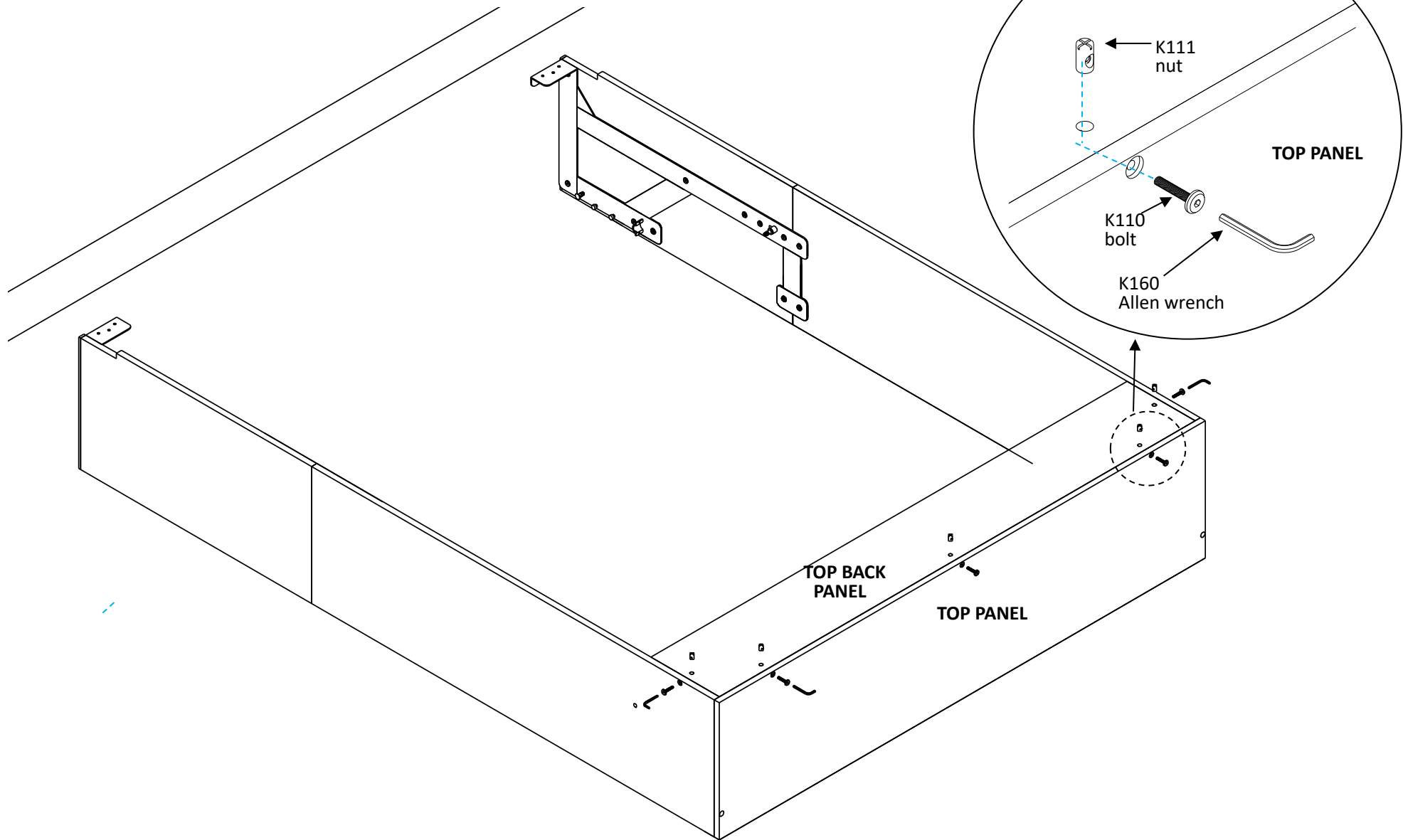
Step 1: Open Box #2. Place the top panel on edge with the face molding toward the floor as shown. Gently roll the side panels up and slide the molding underneath, using guide dowels to position the panels together. Use a K110 bolt and K111 barrel nut at each corner to connect the top panel to the sides as shown.

BUBBLE-PACK #2 CONTENTS
SHOWN ON PAGE 26



Step 2: Position the top-back panel and connect with K110 bolts and K111 barrel nuts as shown.

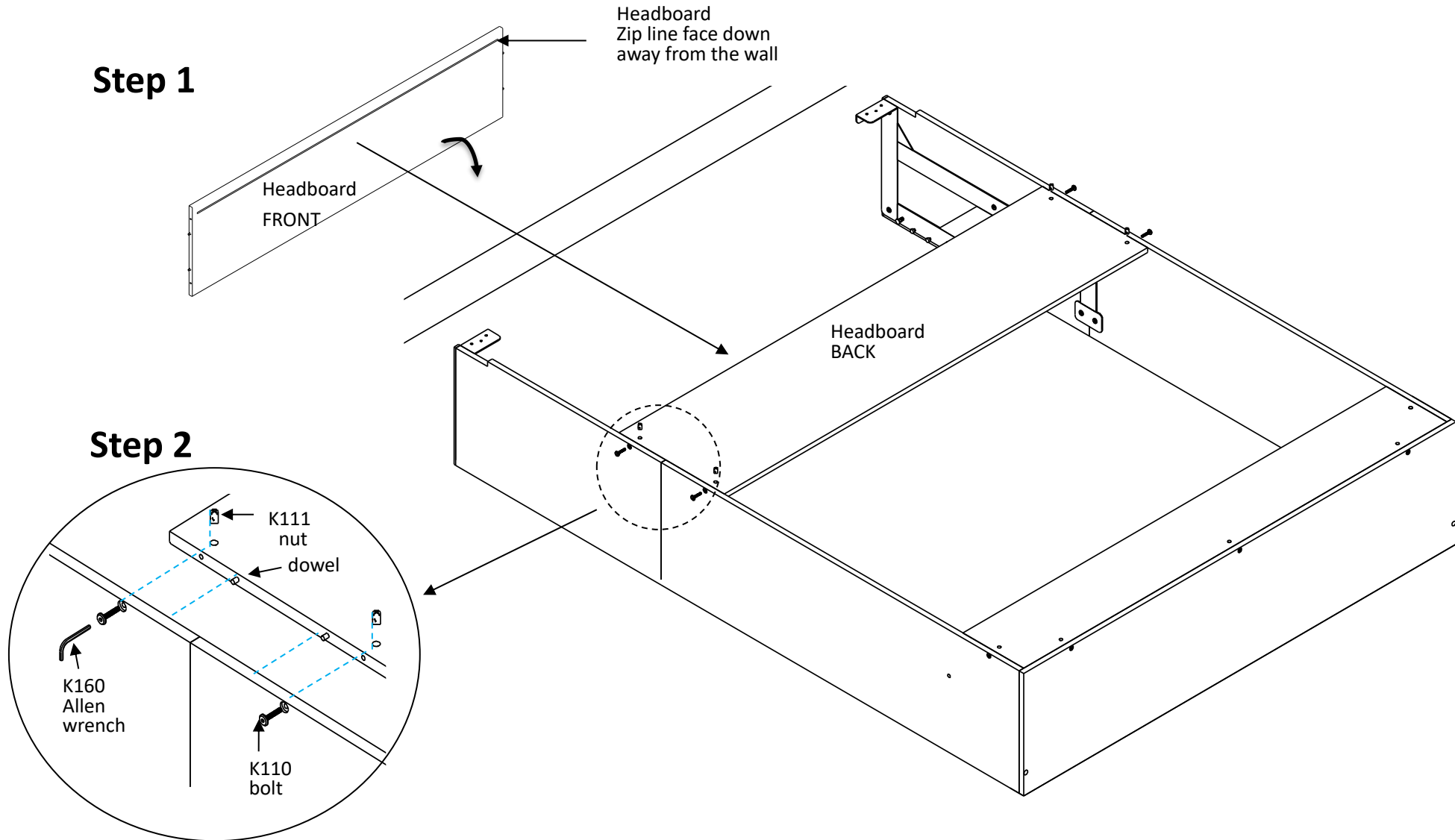
6



Setting up the Bed Case – part C

Step 1: From Box 2, find the Headboard panel and position the headboard to the side panels using guide dowels.

Step 2: Use K110 bolts and K111 barrel nuts from bubble pack 2 to connect the headboard to the side panels.



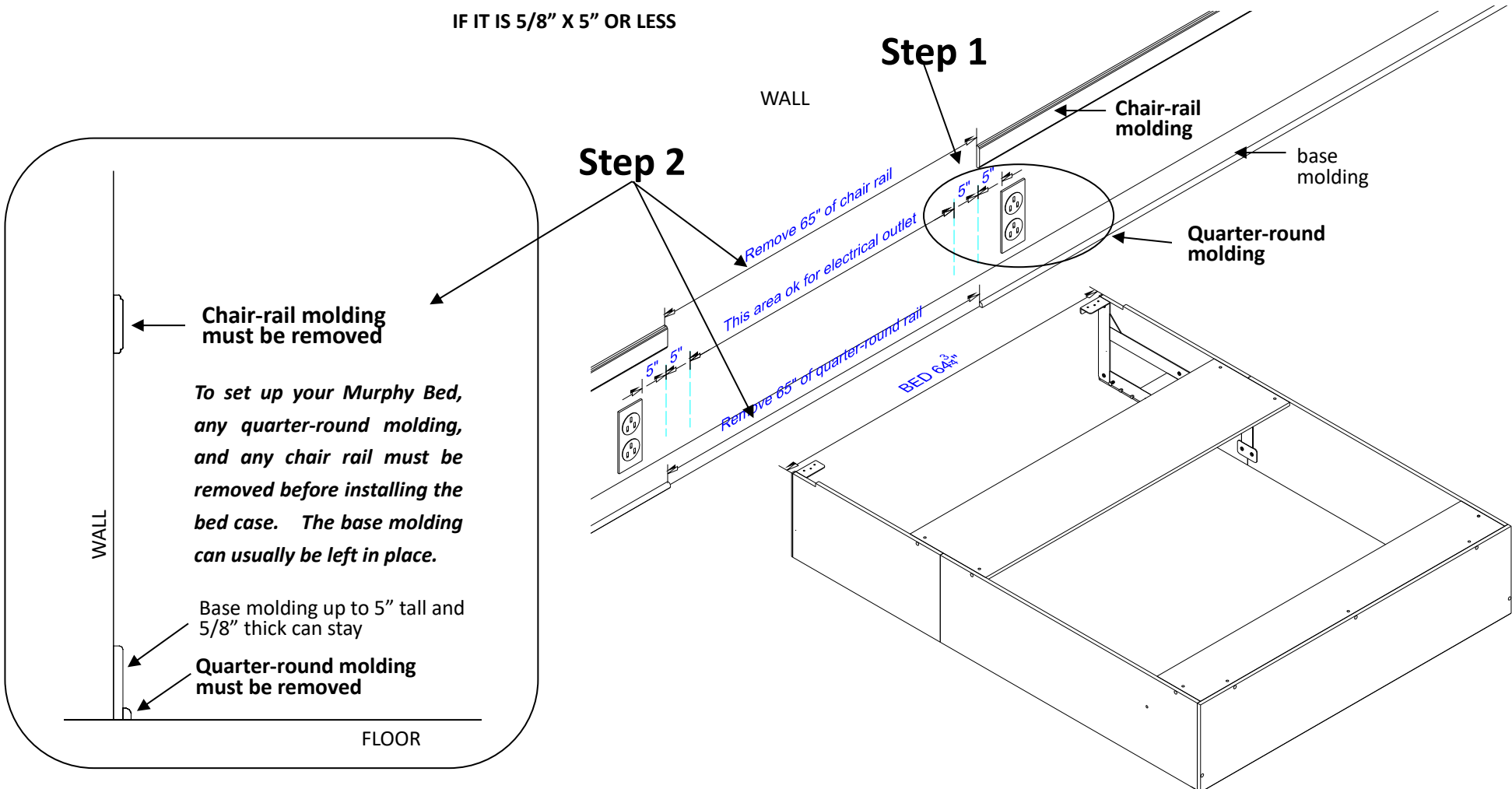
Preparing the wall for the Murphy-bed Case

Step 1: Identify the exact position you would like to set up your Murphy bed, and check the position of the nearby electrical outlets, if any.

DANGER: Any electrical outlet must be at least 5" away in either direction from both of the Bed Case side panels.

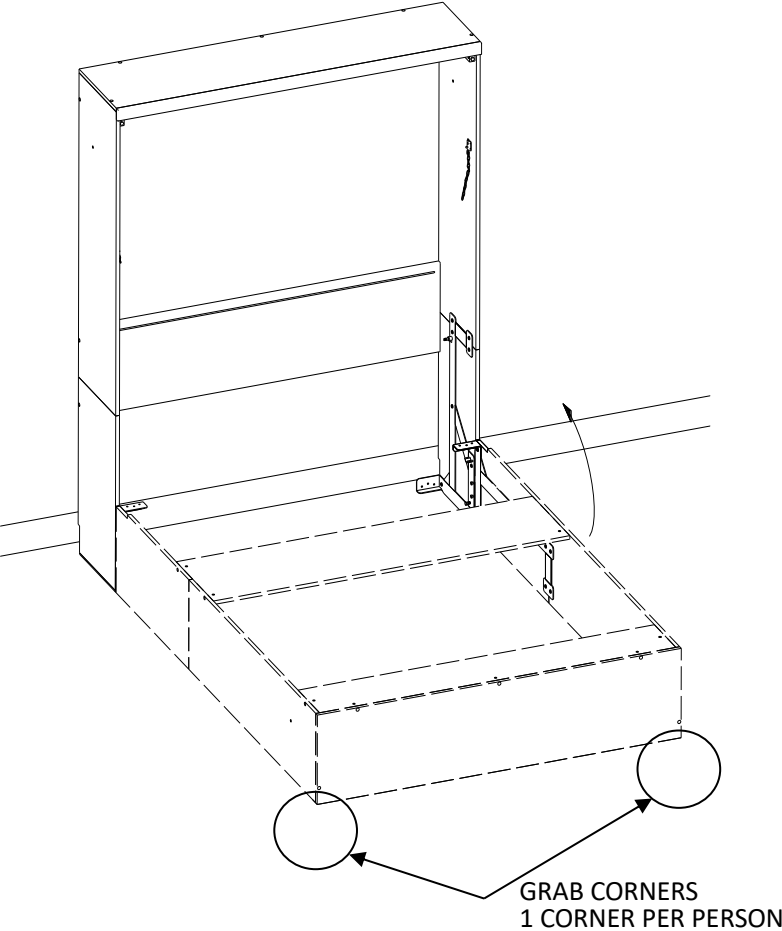
Step 2: Once you have Identified the correct position to stand up the Bed Case, remove any chair rail and/or quarter round molding if any for a width of 65" to accommodate the 64.3/4" wide Bed Case. **YOU CAN LEAVE THE BASE MOLDING ALONE**

IF IT IS 5/8" X 5" OR LESS

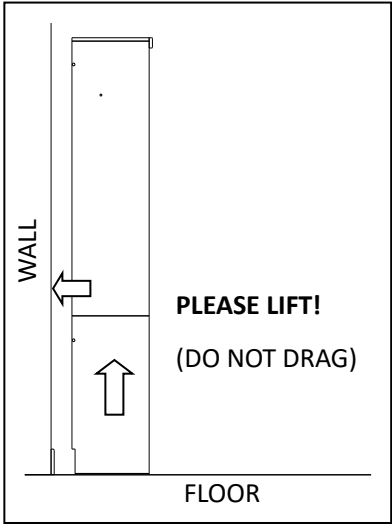


Standing up the Bed Case

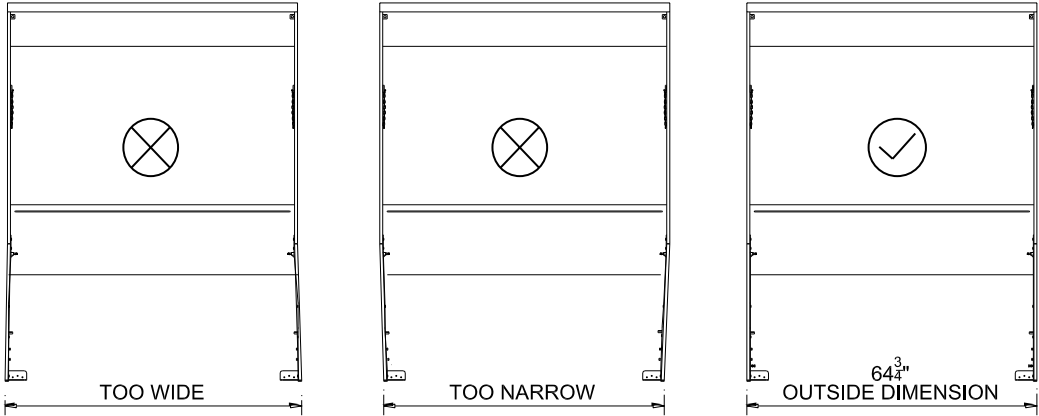
Step 1: With two people, take hold of the top corners of the bed case and safely lift to stand up the Bed Case.



Step 2: Position the bed case against the wall by lifting and carrying
– PLEASE do not drag the bed case on the floor.

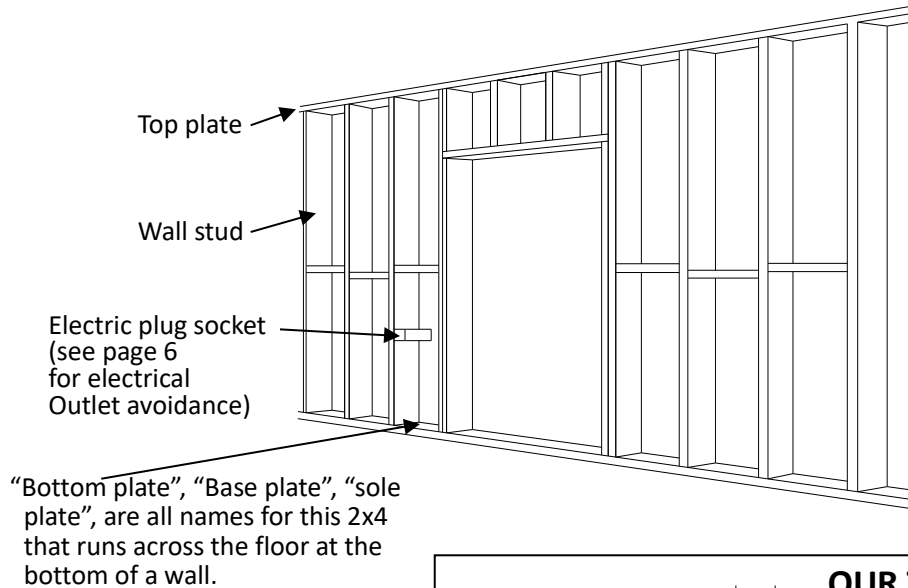


Step 3: Check the exterior measurement of the Bed Case side panels at the floor, and make sure it measures 64.3/4 inches, no more, no less.

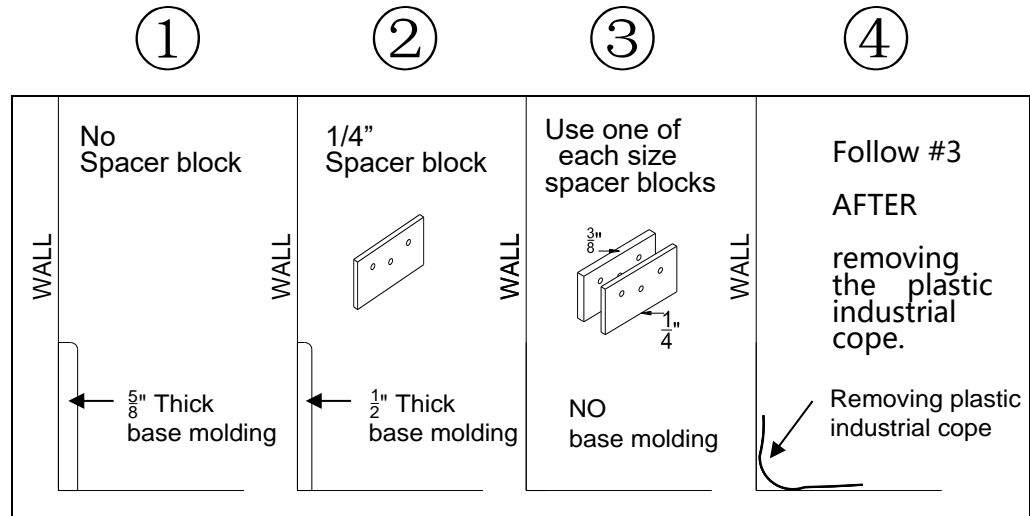


PREPARING TO ATTACH THE BEDCASE TO THE WALL

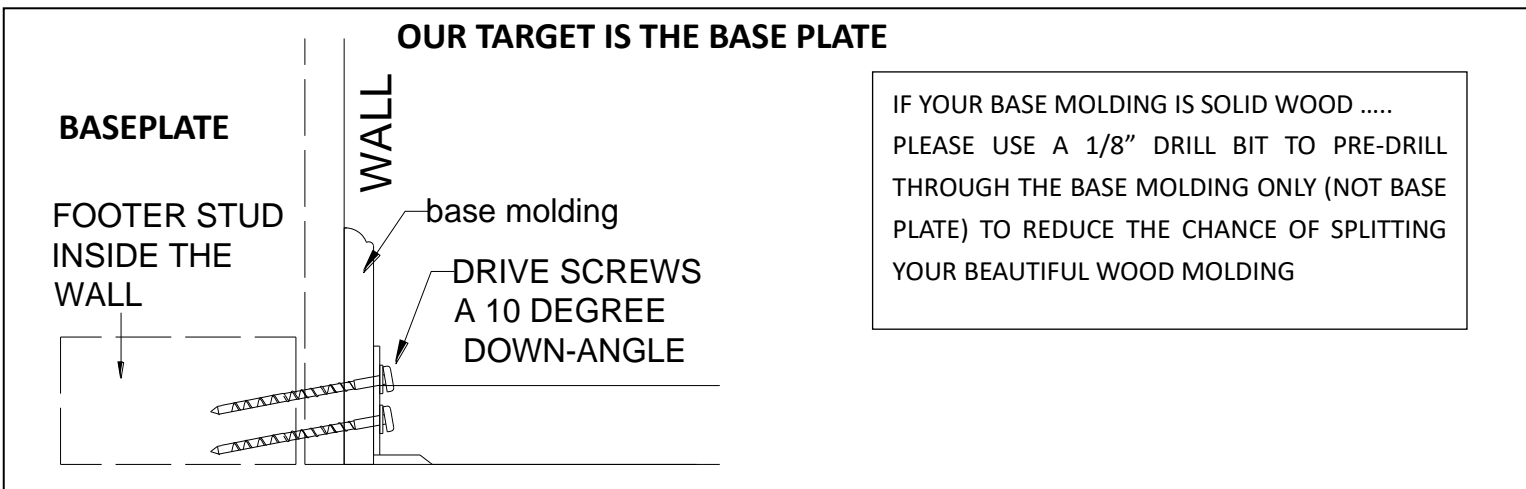
A QUICK PRIMER ON WOOD-FRAMED HOMES.



HOW TO USE SPACER BLOCKS – IF NEEDED



OUR TARGET IS THE BASE PLATE



HELPFUL HINT
 If your wall is brick or concrete block (not built with a wooden frame and drywall) please refer to page 33 for more information about installation into non-wooden structures.

IF YOUR BASE MOLDING IS SOLID WOOD PLEASE USE A 1/8" DRILL BIT TO PRE-DRILL THROUGH THE BASE MOLDING ONLY (NOT BASE PLATE) TO REDUCE THE CHANCE OF SPLITTING YOUR BEAUTIFUL WOOD MOLDING

Marking Studs, measuring width one last time, and driving long screws into the base plate.

STEP 1:

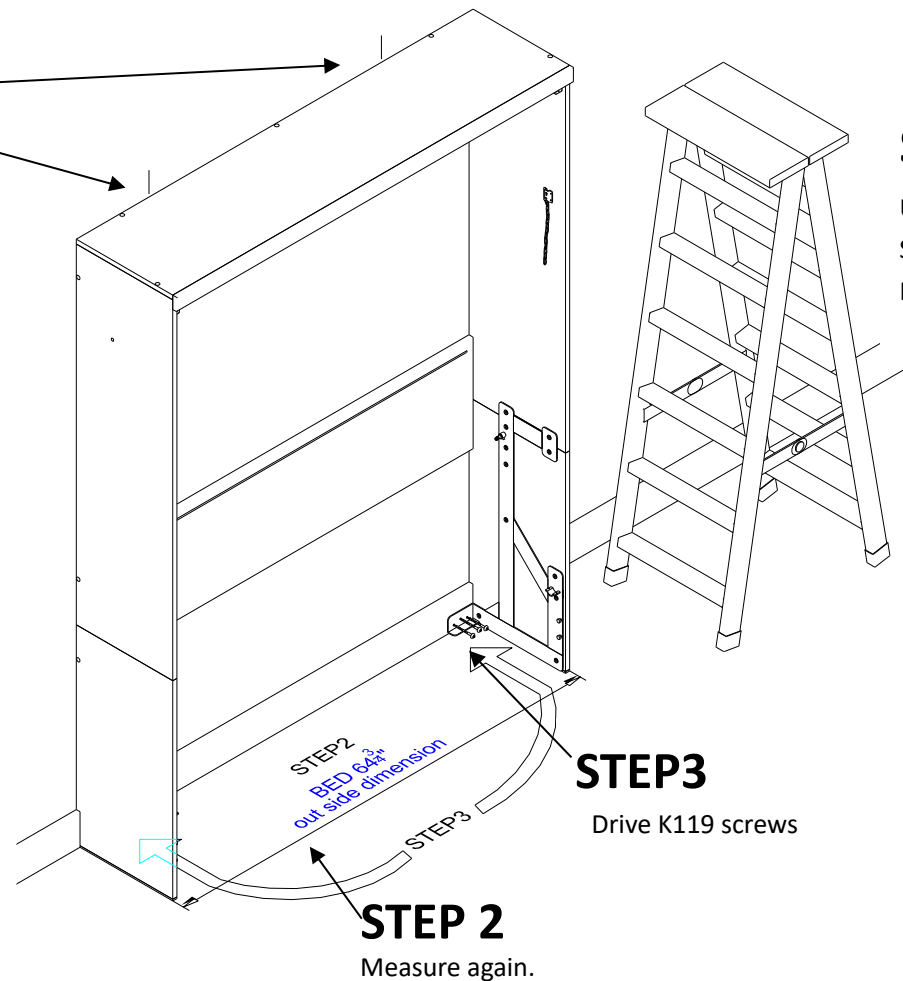
USE A PENCIL AND STUD-FINDER TO **MARK THE CENTER** OF A STUD ON EACH SIDE. THE STUD PLACEMENT DOES NOT NEED TO BE LATERALLY SYMMETRICAL. (WE WILL USE THESE MARKS IN A LATER STEP.)

STEP 2:

MEASURE THE OUTSIDE DIMENSION AT THE FLOOR AND MAKE SURE IT IS 64 3/4"

STEP 3:

USING SPACER BLOCKS IF REQUIRED AS SHOWN ON PAGE 10, USE YOUR DRILL-GUN WITH A #2 PHILLIPS HEAD TO DRIVE K119 SCREWS AT A 10 DEGREE DOWN-ANGLE TO ATTACH METAL FRAME TO THE WALL (DIAGRAM ON PAGE 10).



STEP 1

USE A STEP LADDER THAT WILL SAFELY ALLOW YOU TO MEASURE STUD POSITIONS

STEP 3

Drive K119 screws

STEP 2

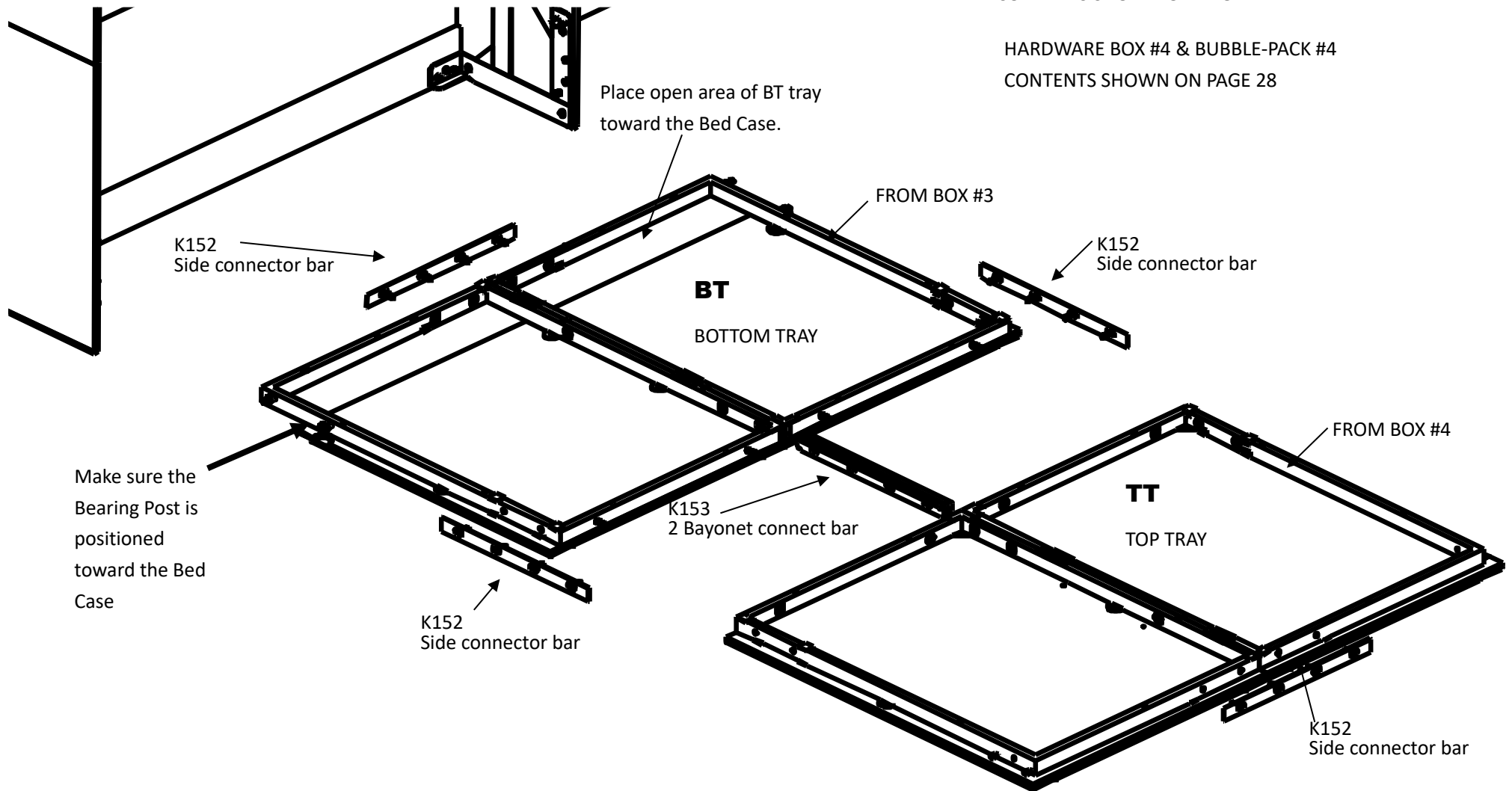
Measure again.

Setting up the Bed Tray

Open boxes #3 and #4 and lay out the contents as shown below with the wood face of the bed tray face-down on the carpet/blankets/etc., that will protect it. Pay find and lay out the K153 Bayonet Connectors and the K152 Side Connector Bars that you will find distributed in the two boxes.

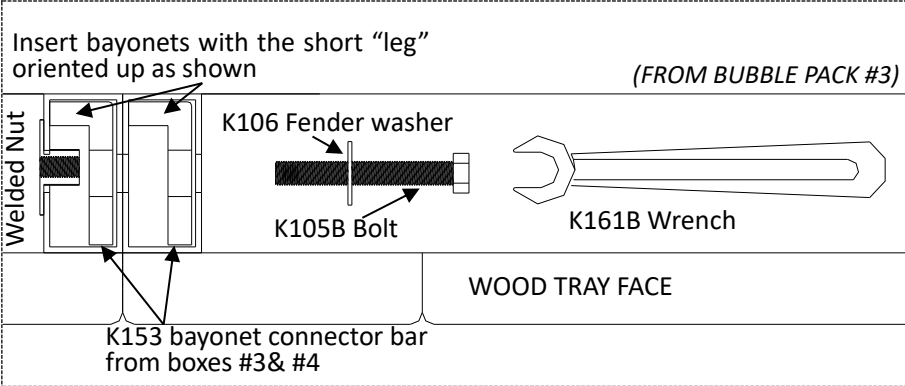
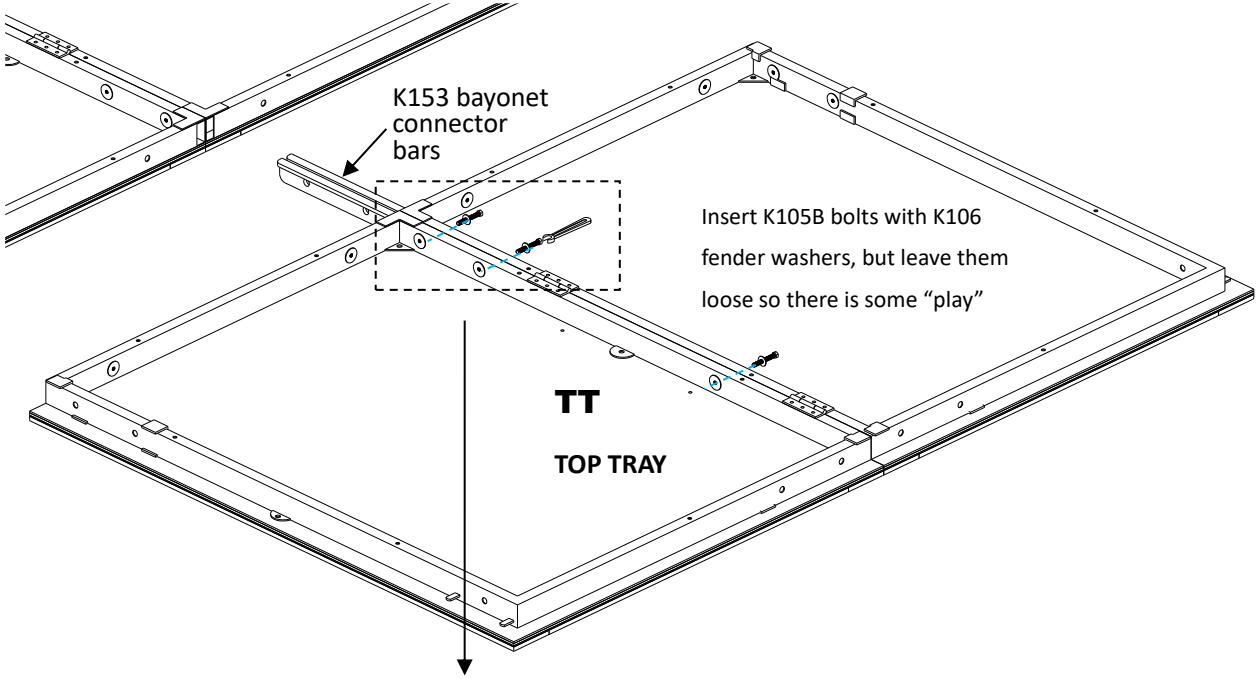
HARDWARE BOX #3 & BUBBLE-PACK #3
CONTENTS SHOWN ON PAGE 27

HARDWARE BOX #4 & BUBBLE-PACK #4
CONTENTS SHOWN ON PAGE 28

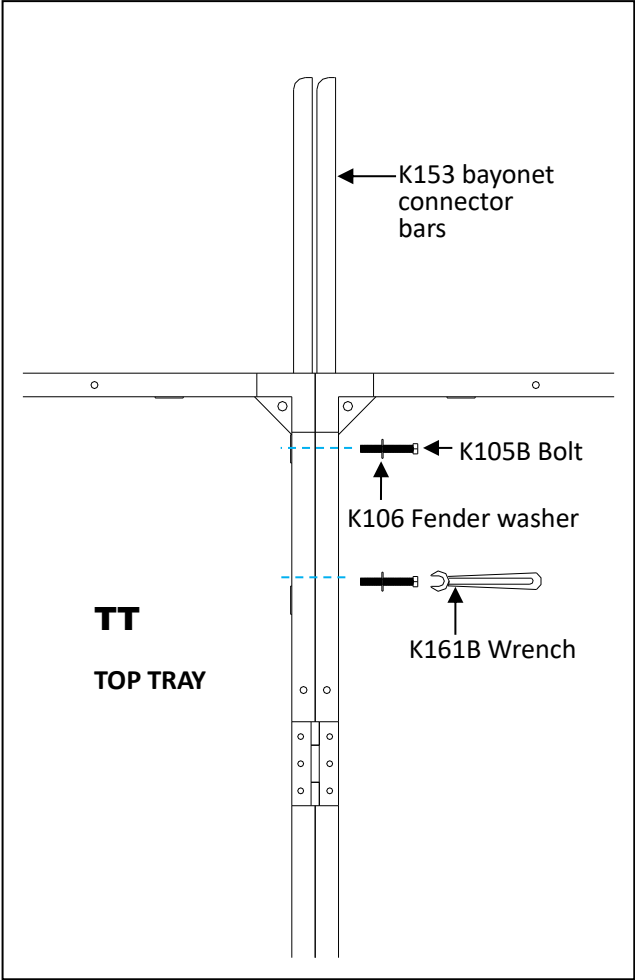


Connecting the Top Tray (TT) to the Bottom Tray (BT).

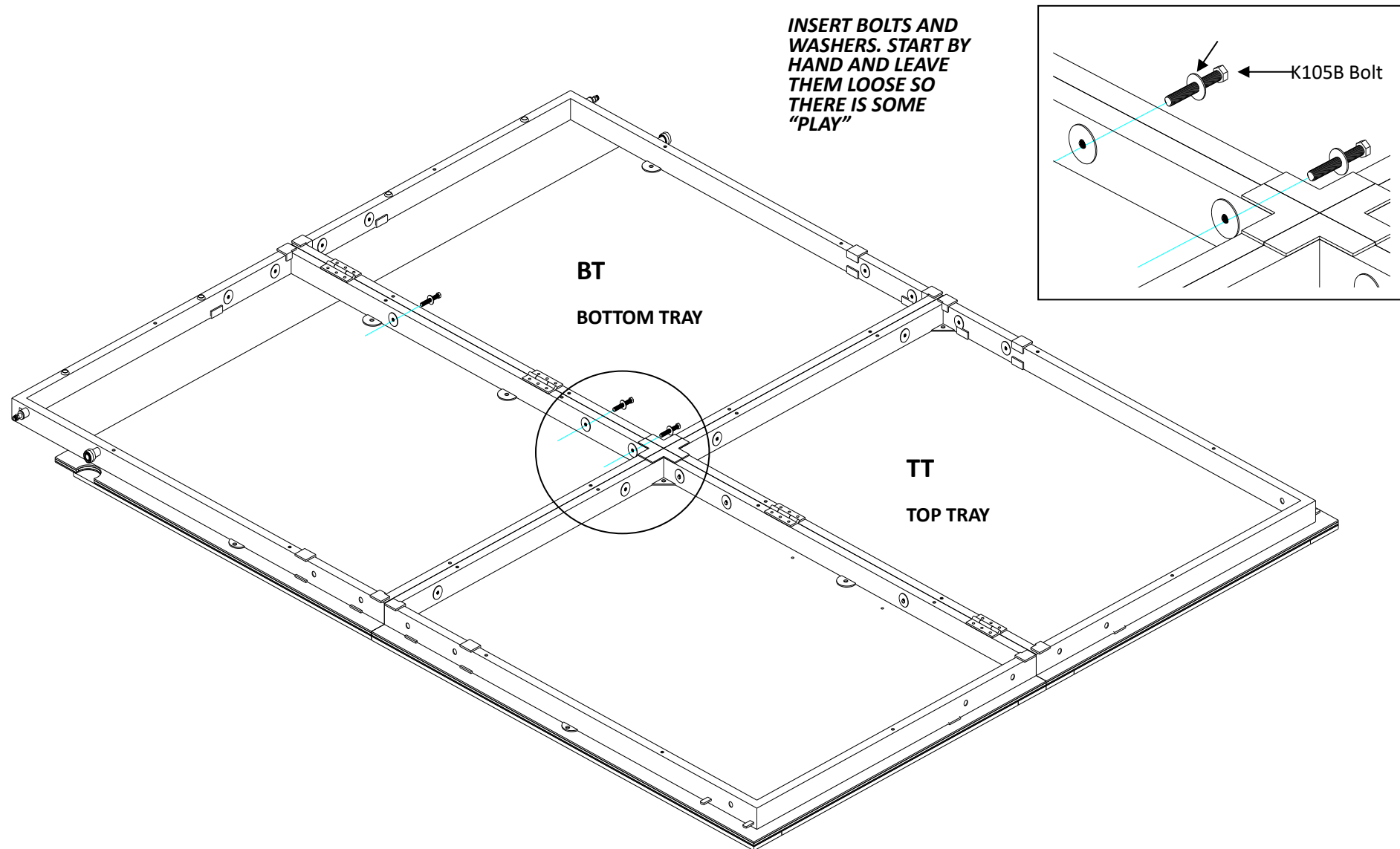
Step 1: Insert the K153 Bayonet ABOUT HALFWAY into the TT tray as shown below – with the short leg of the “L” shape “up” as in the drawing at the bottom left of this page - then hand start the bolts and leave them loose for now.



SEE FROM TOP SIDE

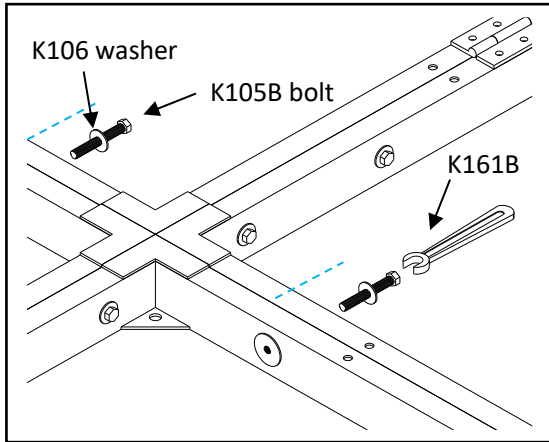


Step 2: Now insert the bayonets into the BT tray and slide the two trays together. Again, hand start the bolts but leave them loose.

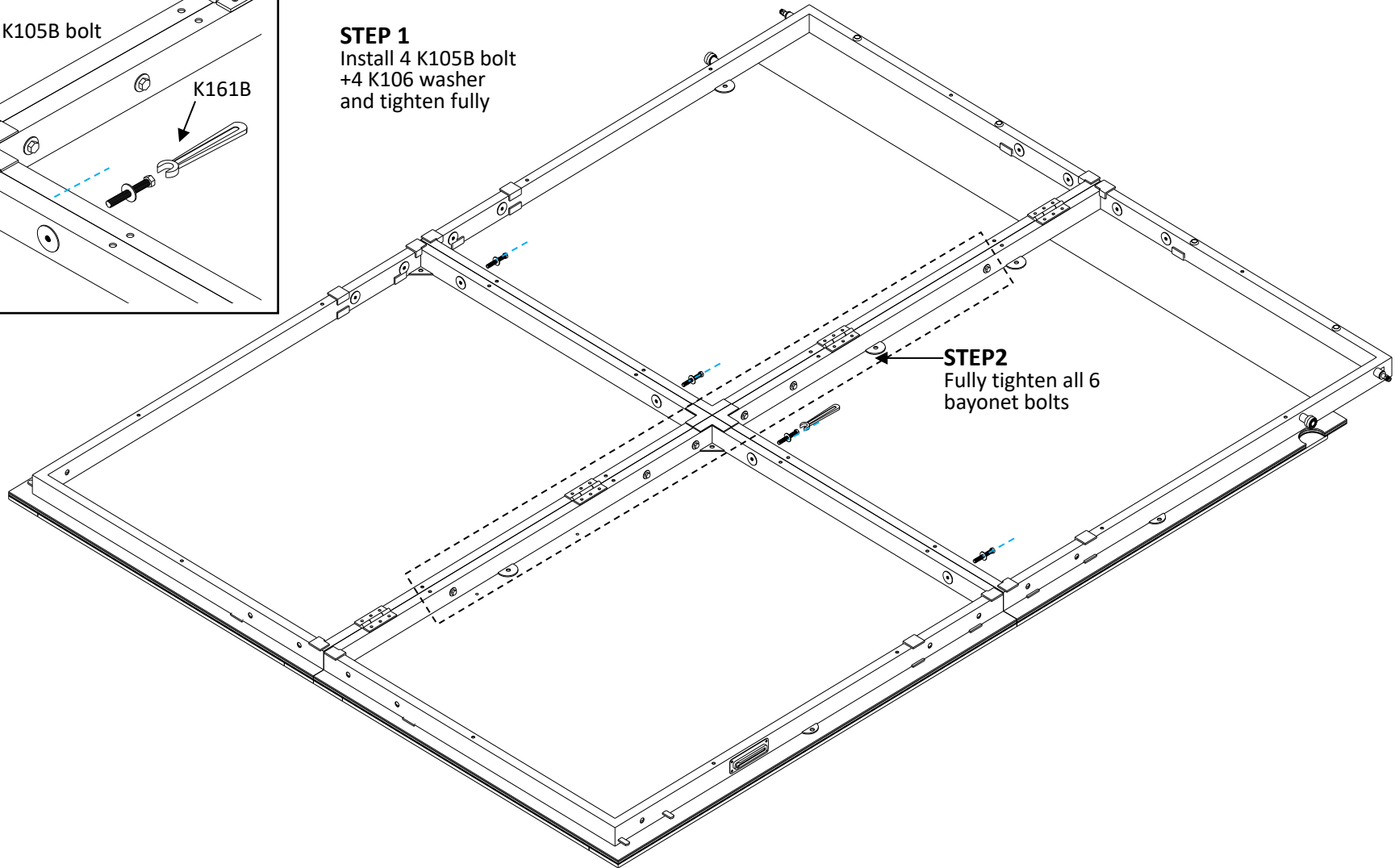


Connecting all the Supports to build a strong frame

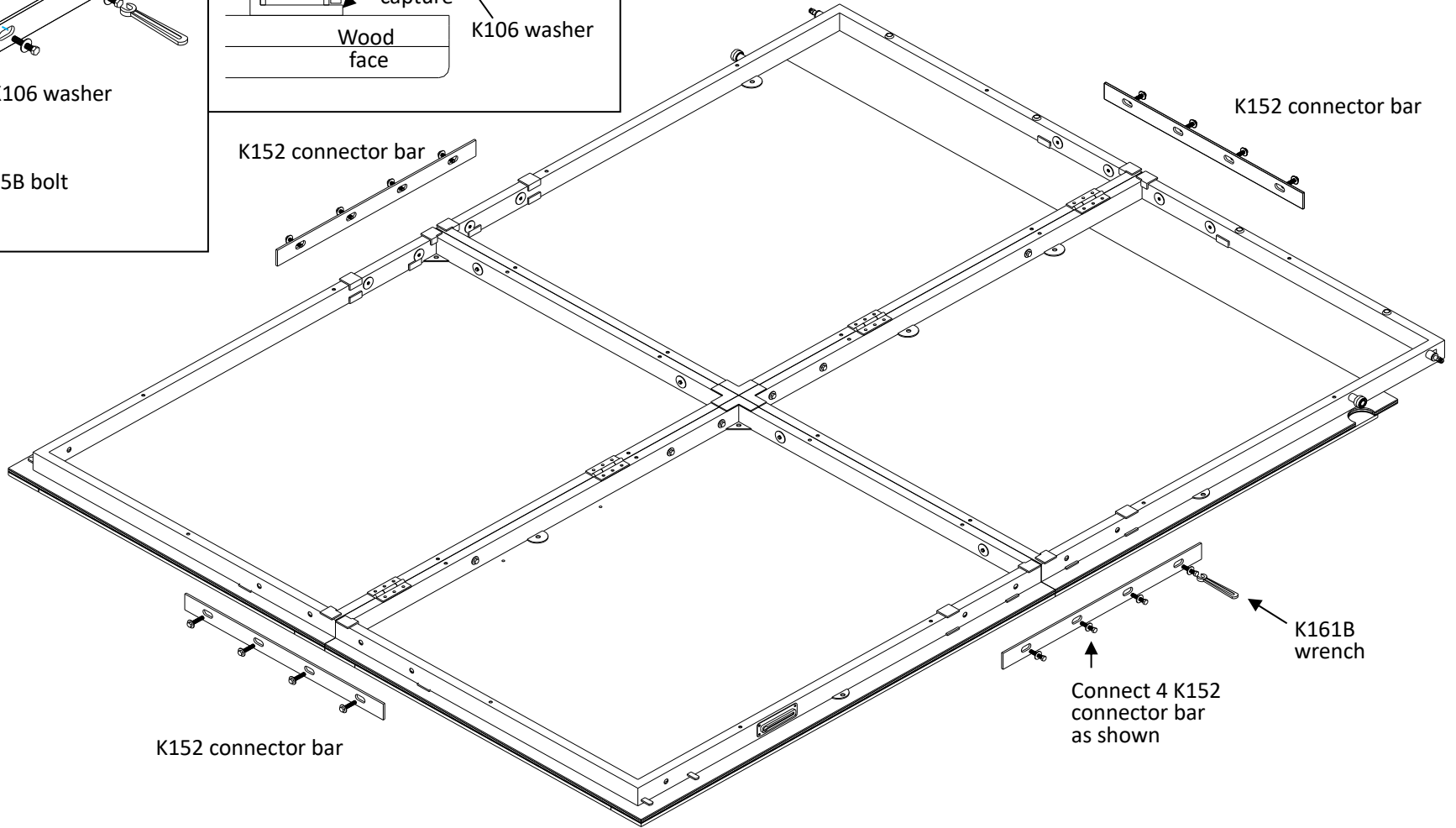
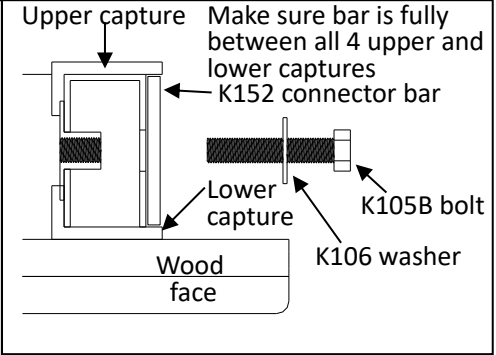
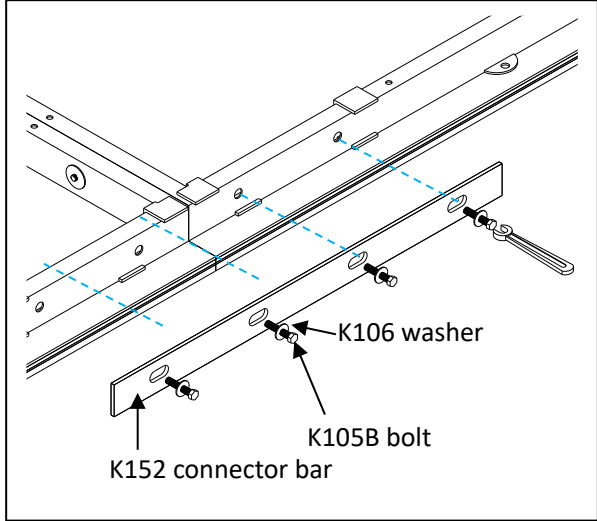
Step 1: Use 4 K015B Bolts with 4 K106 Washers, and the K161B wrench to tightly connect the lateral-center frames of TT to BT.



STEP 1
Install 4 K105B bolt
+4 K106 washer
and tighten fully



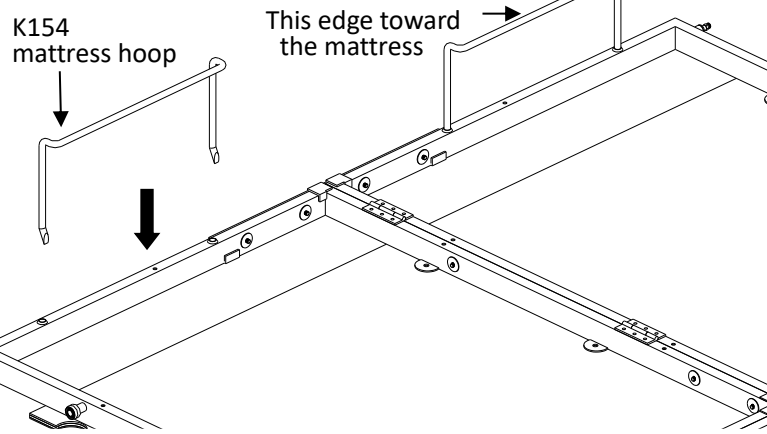
Step 3: One-at-a-time, position the 4 K152 support bars – making sure they are nestled between all 4 upper and lower captures - and install with 4 bolts and 4 washers each, and tight fully.



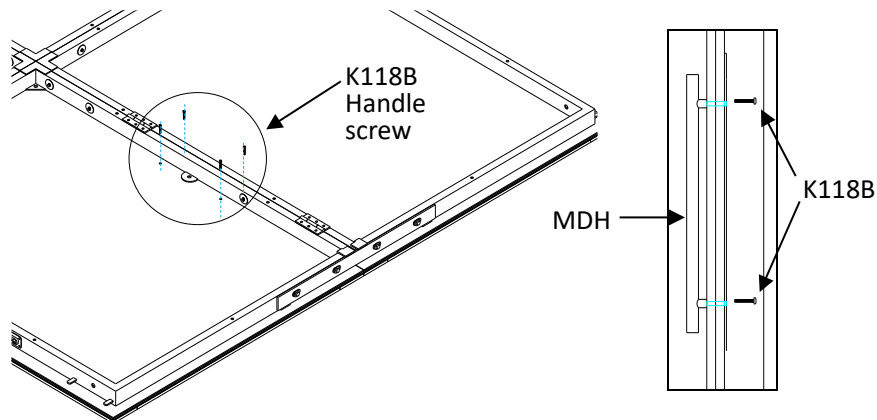
Installing Mattress Hoops and Gas Springs

HELPFUL HINT: The mattress hoops are found in the Hardware package inside Box #3

STEP 1: INSTALL MATTRESS HOOPS INTO THE PROVIDED HOLES

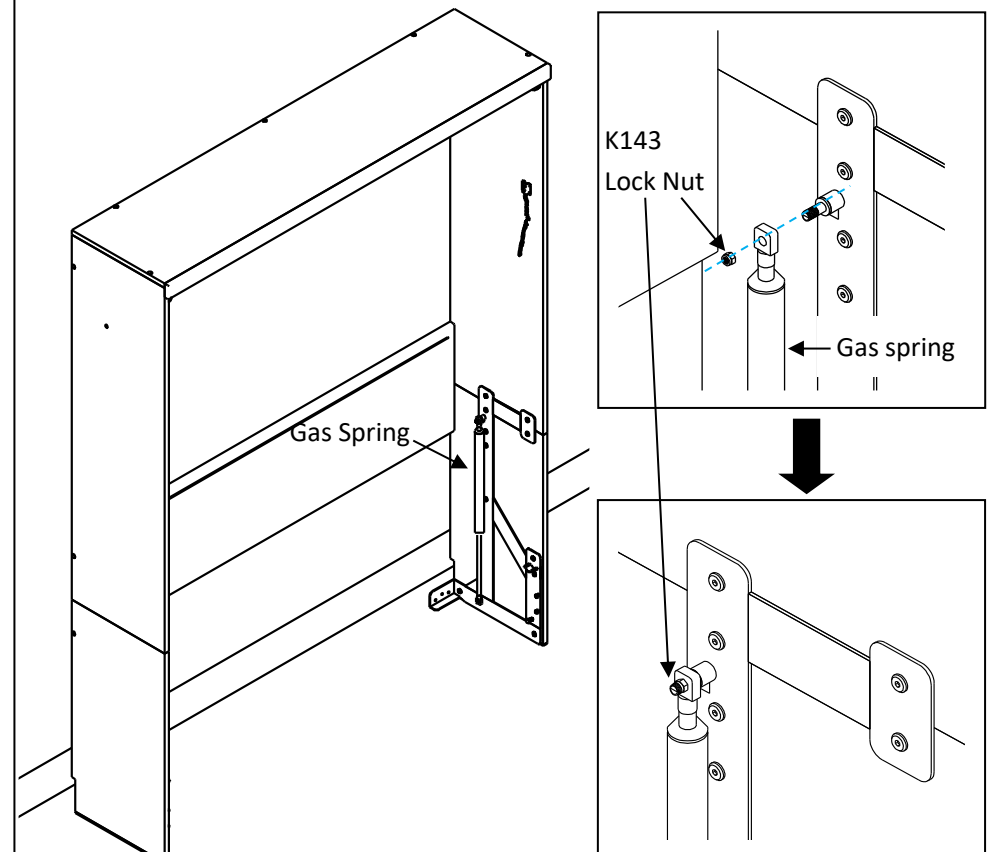


STEP 2: Install the handles and screws from Hardware box 4 through the pre-drilled holes on the wooden tray faces.



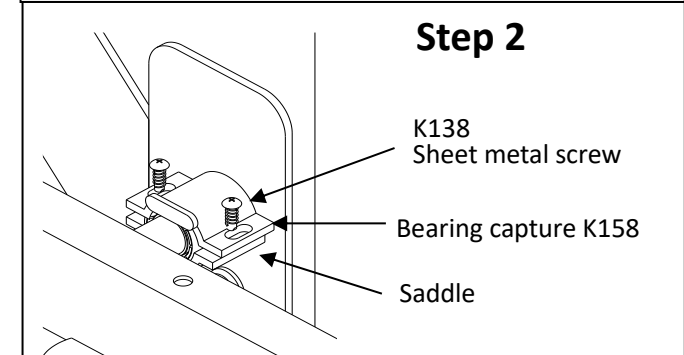
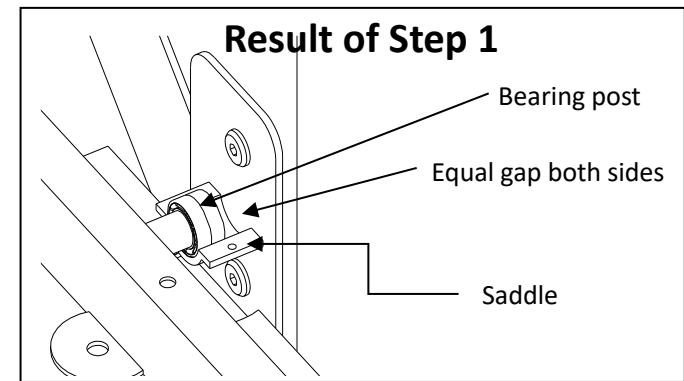
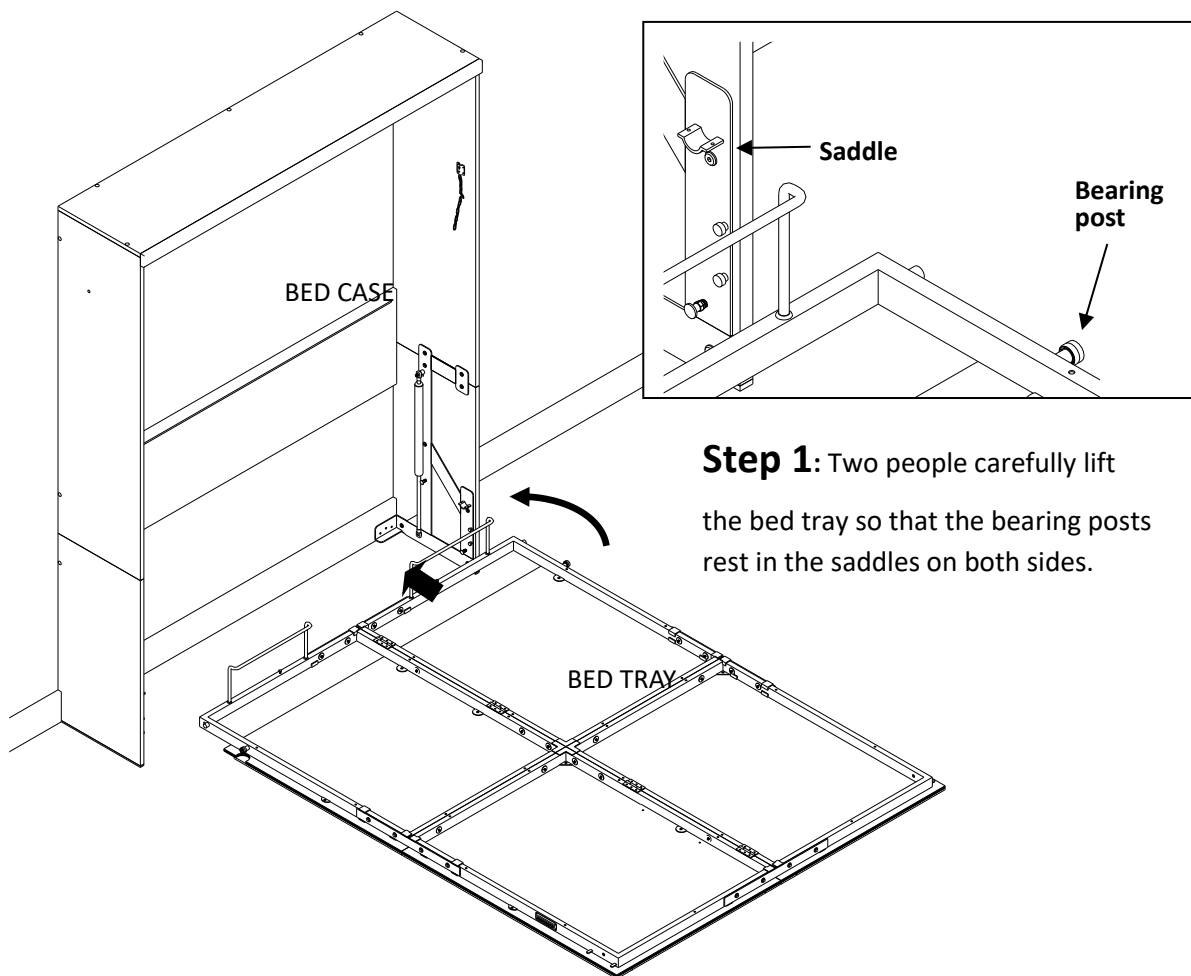
STEP 2: ATTACH A GAS SPRING AS SHOWN TO EACH SIDE USING K143 LOCK NUT.

HAND TIGHTEN ONLY - YOU WILL TIGHTEN FULLY LATER.

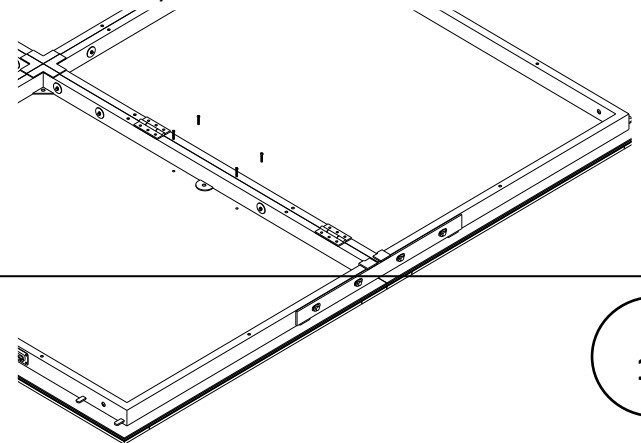


Lifting the Bed Tray Bearing Posts into the Saddles, and installing the Pivot top Capture

Step 1: With one person on each side of the bed about in the middle, carefully lift the bed tray and set the Bearing posts into the saddle on each side of the bed. Make sure the bearing post gap is equal on each side. The key thing here is to take your time and get lined up right so you can limit the possibility of damaging the wood Bed Tray Face or the interior finish of the Bed Case.



STEP 3: Install the handles and screws from Hardware box 4 through the pre-drilled holes on the wooden tray faces.



Complete the connection of the Gas Springs

SAFETY WARNING!

The purpose of the Gas Spring is to “counter-balance” the weight of the mattress by applying upward force, and thereby making the bed tray “feel lighter” when you lift it to close the bed. It is **IMPERATIVE** that you follow the instructions PAGE 22 OF STEP 4 carefully, and that you **NEVER** remove or change the mattress without two people – one of whom will hold the bed tray down whenever the mattress is removed. **FAILURE TO HEED THIS WARNING CAN RESULT IN PRODUCT DAMAGE**

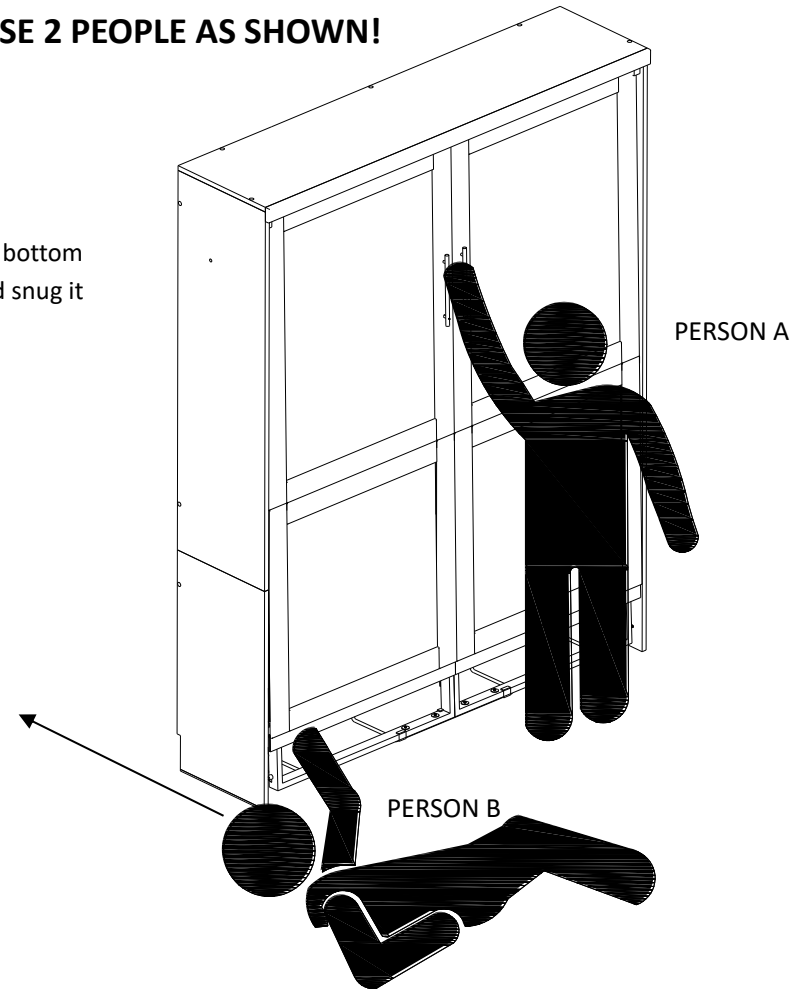
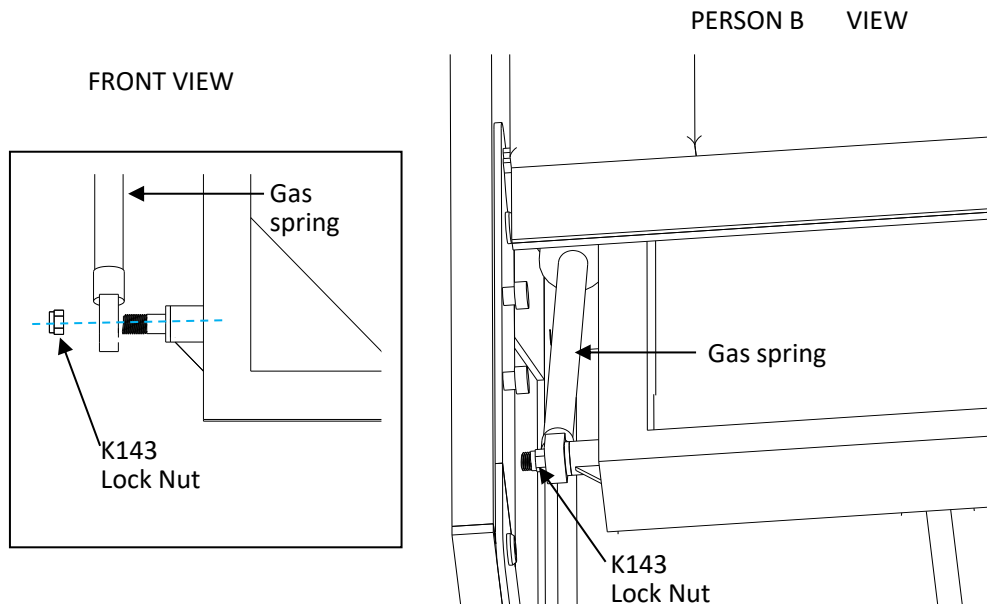
STEP 1:

- A) Attach one of the safety chains
- B) Slightly over-rotate the bed tray into the bed case about 3” to 4” to allow the bottom gas spring head to align with the spring attachment post on the metal bed frame.

USE 2 PEOPLE AS SHOWN!

STEP 2:

Reach under the bed tray and through the open space at the bottom of the bed tray to fit the bottom gas spring head to the gas spring attachment post. Install the K143 lock nut to each post and snug it up with the K161A wrench.



Complete the connection of the Gas Springs

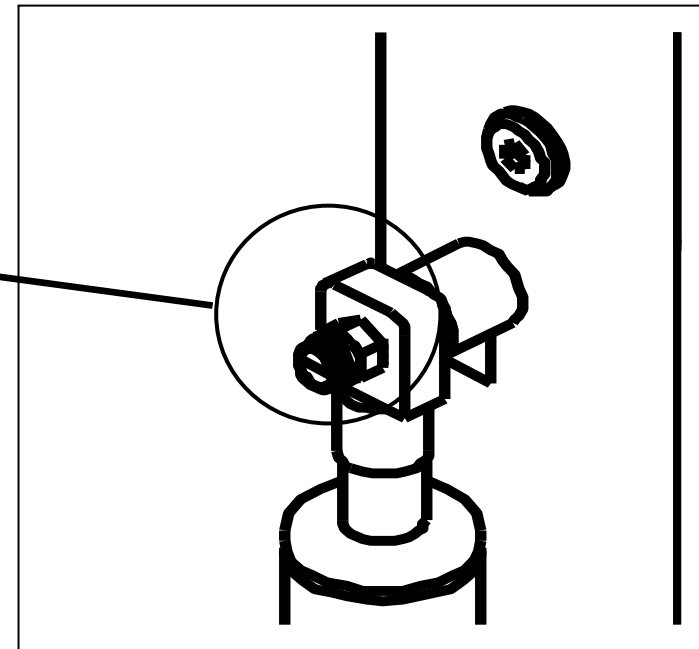
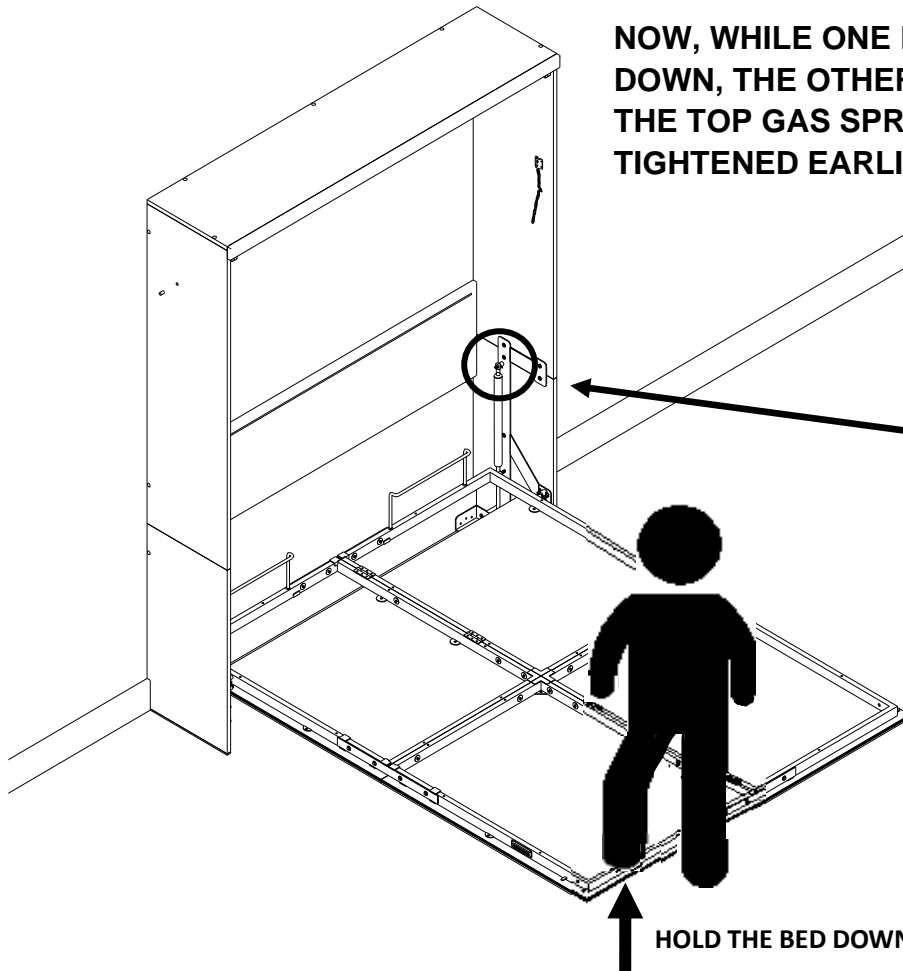
20

SAFETY WARNING!

The purpose of the Gas Spring is to “counter-balance” the weight of the mattress by applying upward force, and thereby making the bed tray “feel lighter” when you lift it to close the bed. It is **IMPERATIVE** that you follow the instructions PAGE 22 OF STEP 4 carefully, and that you **NEVER** remove or change the mattress without two people – one of whom will hold the bed tray down whenever the mattress is removed. **FAILURE TO HEED THIS WARNING CAN RESULT IN PRODUCT DAMAGE**

STEP 3: WITHOUT DELAY!

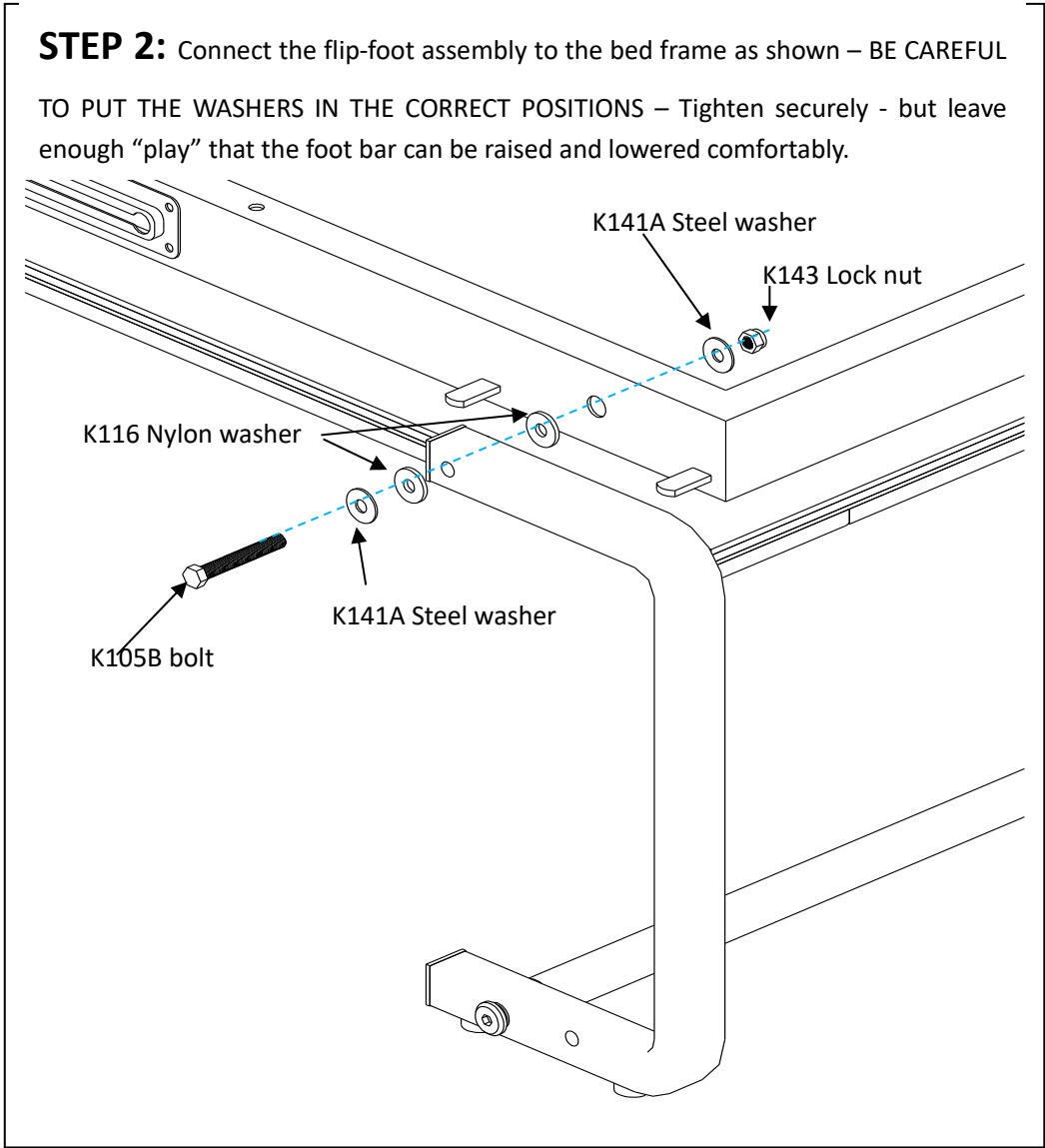
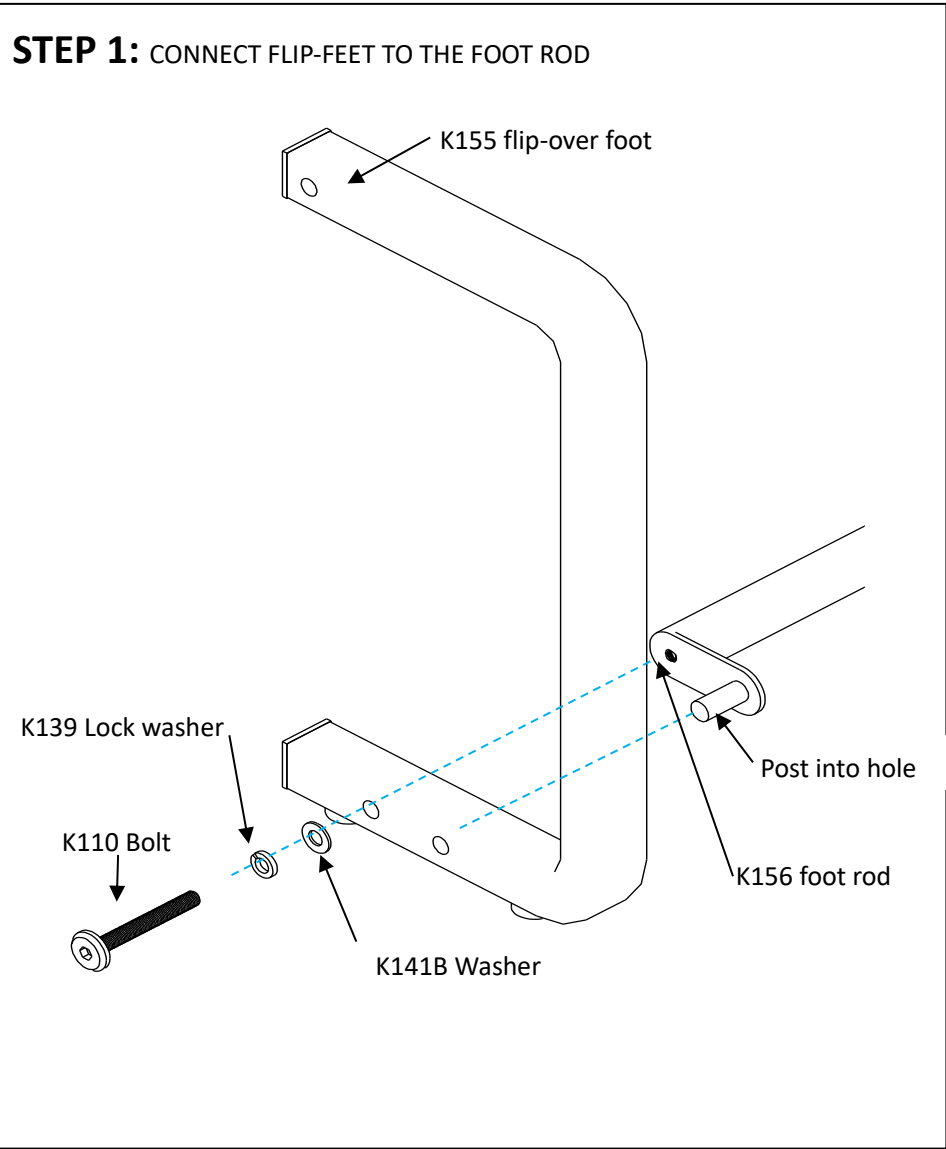
NOW, WHILE ONE PERSON HOLDS THE BED DOWN, THE OTHER PERSON MUST FULLY TIGHTEN THE TOP GAS SPRING LOCK NUT YOU HAND TIGHTENED EARLIER USING THE K161A WRENCH



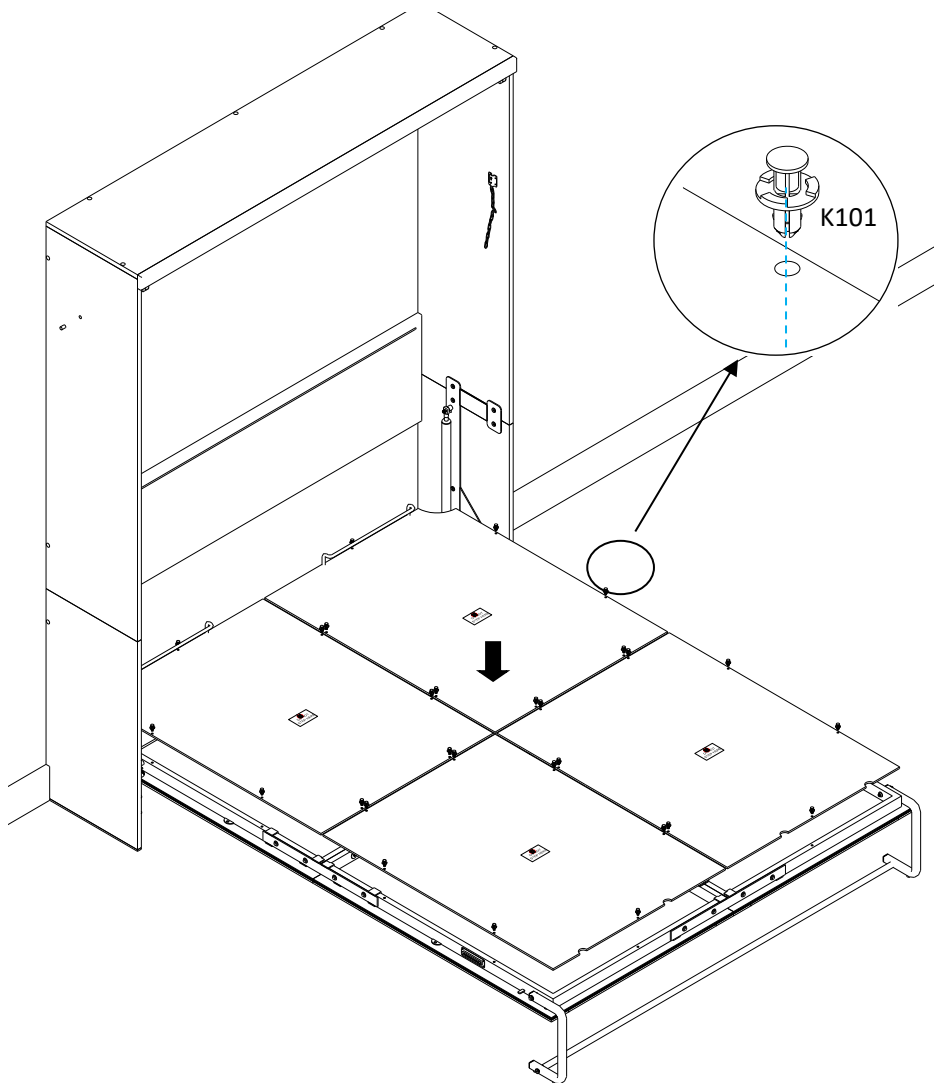
HOLD THE BED DOWN WHILE THE GAS SPRING LOCK NUTS ARE BEING TIGHTENED

Installing the flip-over Foot Rod, the Mattress Decks

HELPFUL HINT: The flip-over legs are found in the Hardware package inside Box #3 or 3A, and the foot rod was held aside from Box #2.

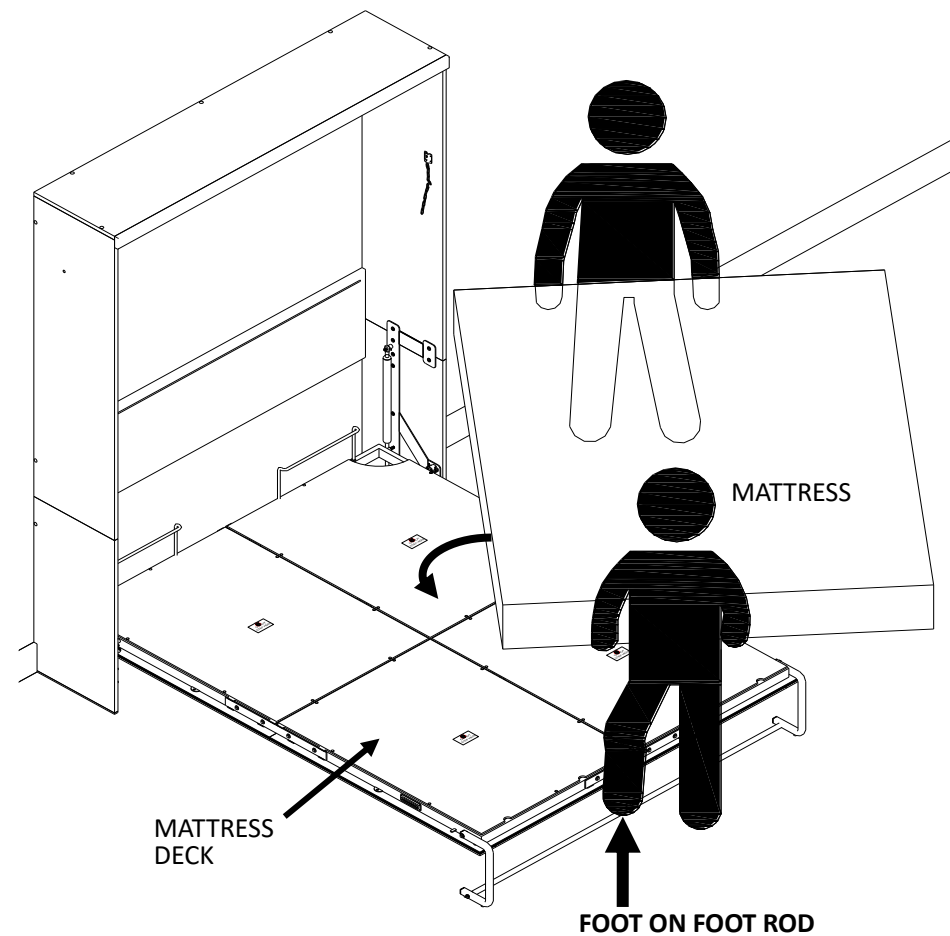


USE K101 PLASTIC FASTENERS TO ATTACH THE MATTRESS DECK PANELS AS SHOWN. PLEASE PUT THE SIDES WITH “DO NOT STAND” STICKER UP AND ABIDE BY THE STICKER WARNING.



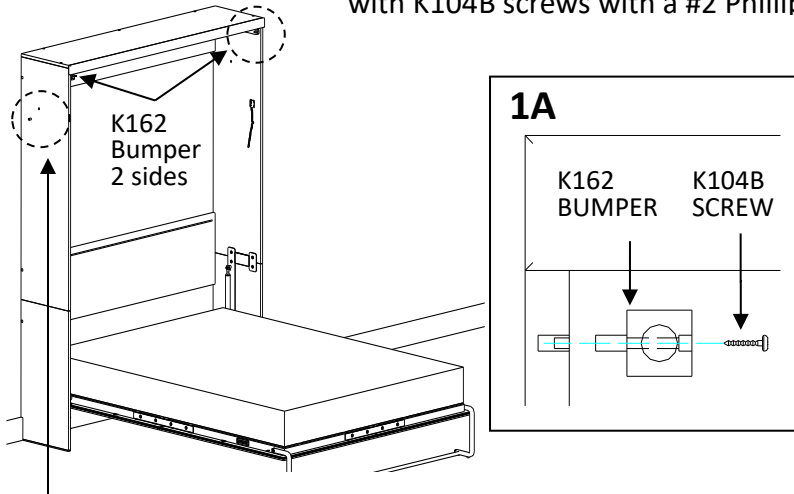
STEP 4:

- A) Two People bring the bed down carefully and lower the foot-rod to the floor
- B) One person steps on the foot-rod as two people move the mattress onto the deck



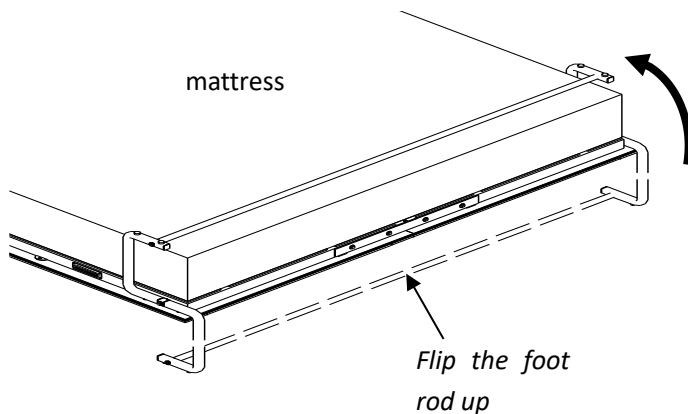
Completing Bed Tray Set-up

STEP 1A: Use a step ladder to stand on while installing bed tray bumpers on both sides. Fit the guide dowels into the predrilled holes and attach with K104B screws with a #2 Phillips head drive.



STEP 1B: Install a wood plug on either or both exterior sides where there are no pier cabinets.

STEP 2

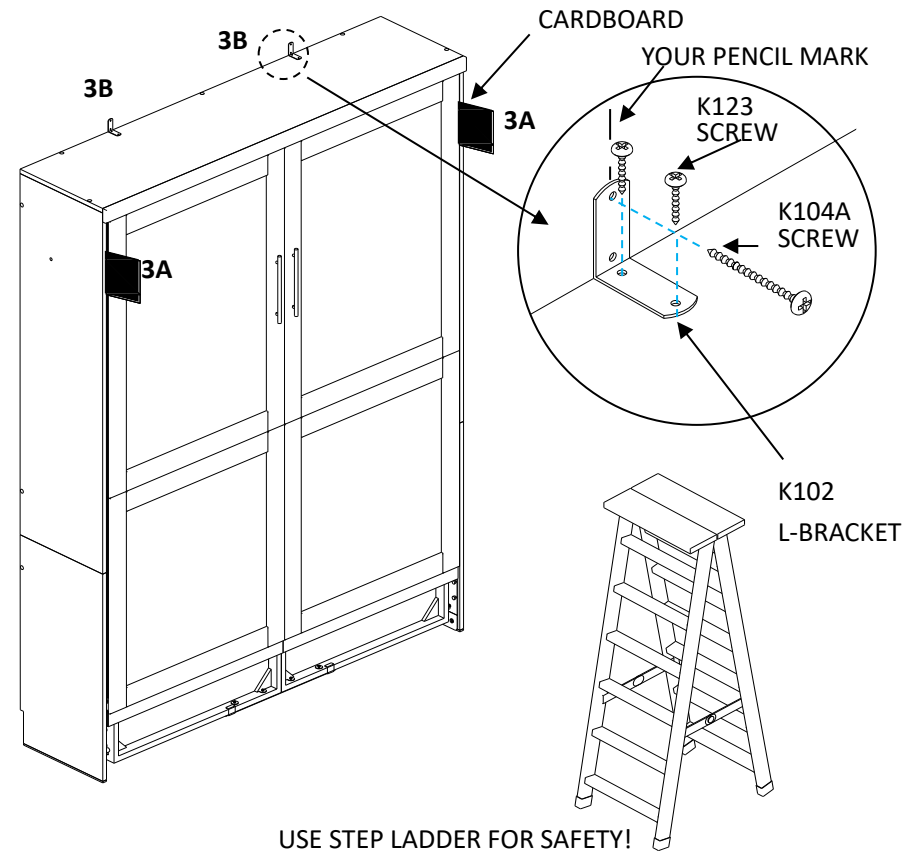


- Lift the foot of the bed to about waist height and flip the foot rod over the mattress.
- Lift high enough to attach at least 1 safety chain.
- Proceed to Step 3 BEFORE closing the bed**

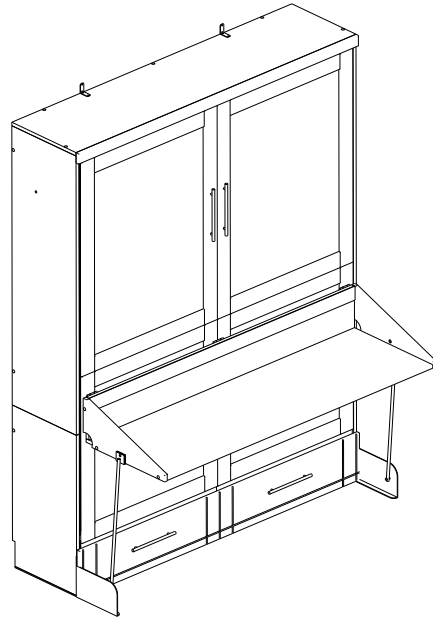
STEP 3A:

Tilt the Bed up and put folded cardboard between the bed tray and the side panels (above the safety chains) to square the case and bed tray.

STEP 3B: Safely use the step ladder to install K102 brackets onto where you have previously marked center of the studs.



If you are assembling the **Murphy Deskbed**

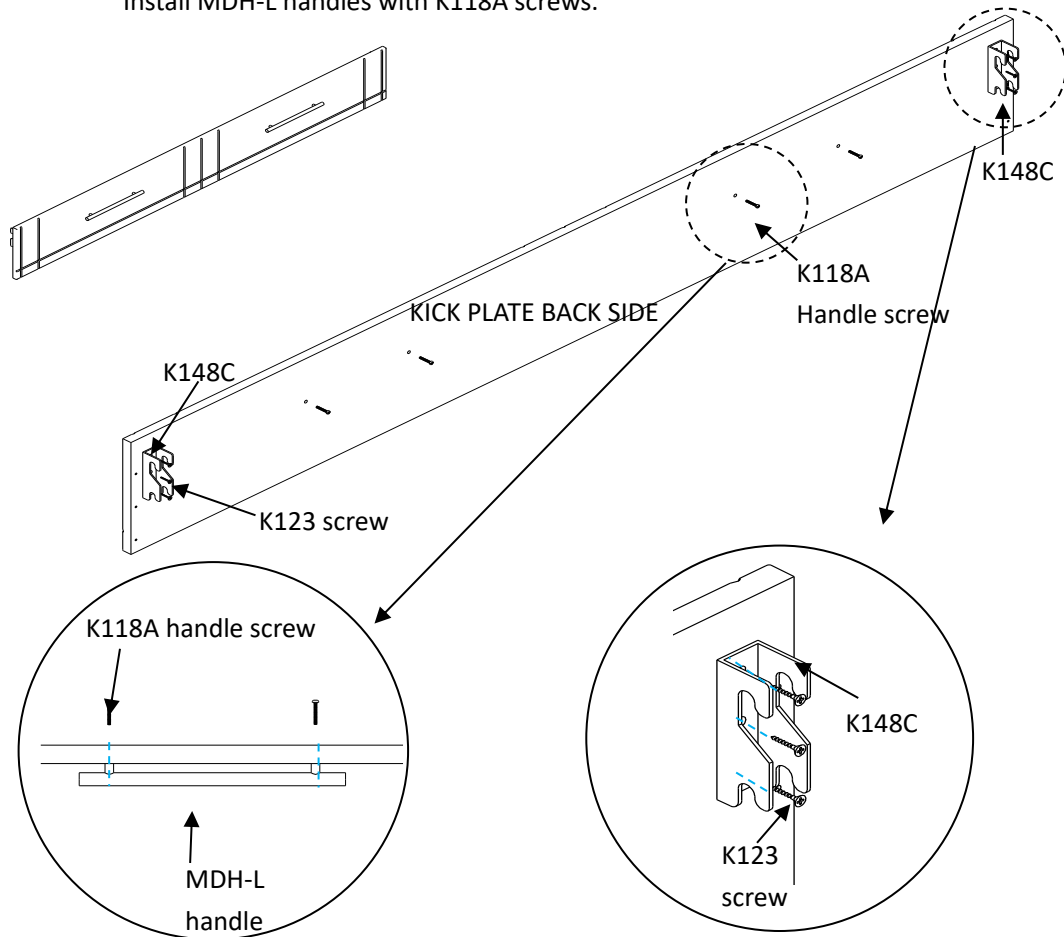


Please **skip to page 29** to continue your

assembly. Thanks!!

Installing Kick Plate Hooks and Handles, and Installing Kick Plate onto Bed Case

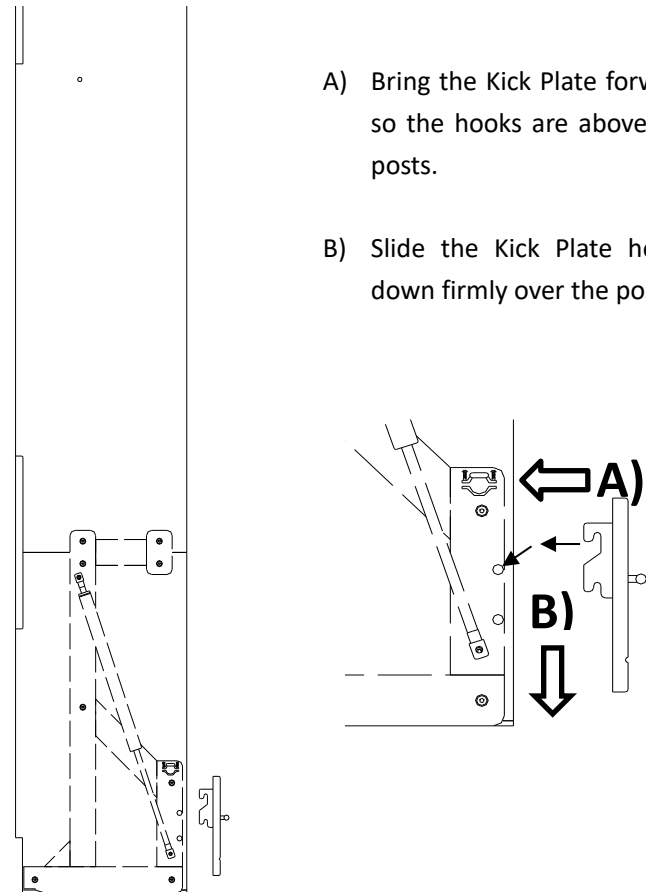
STEP 1 Use K123 screws to install K148C kick plate hooks as shown.
Install MDH-L handles with K118A screws.



STEP 2

Install kickplate hooks onto the hook posts inside the bed case.

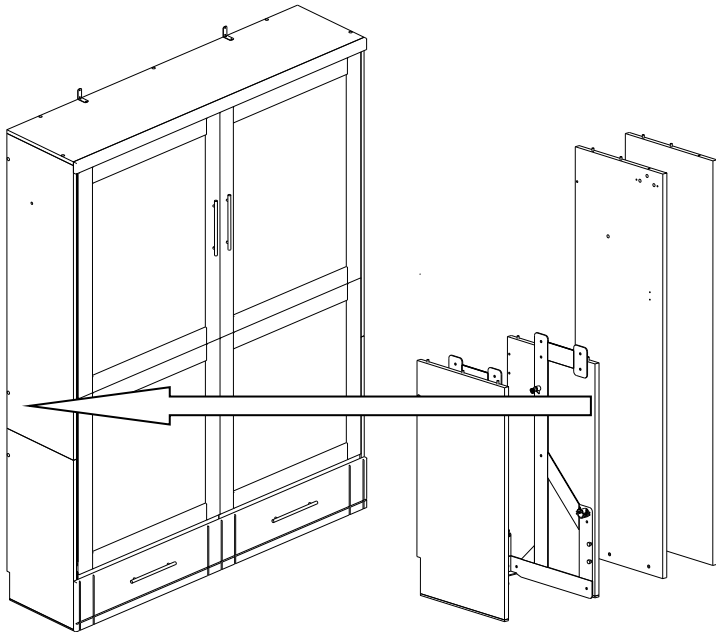
- A) Bring the Kick Plate forward so the hooks are above the posts.
- B) Slide the Kick Plate hooks down firmly over the posts.



THAT IS ALL THERE IS TO IT!!! CONGRATULATIONS, YOUR NEW MURPHY BED IS NOW COMPLETE

IF YOU HAVE A MURPHY BED SOFA – Continue Set-up with instructions included in the Murphy Sofa

**-BOX-#1
SIDE VERTICAL PANELS**



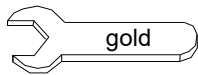
BOX 1
 UP
 Assembly instructions are inside

SIDE VERTICAL PANELS
 C.FT 9.4
 CM 0.266
 LBS 70
 KG 31.8

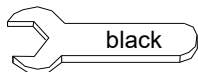
US PATENT PENDING

ASSEMBLY INSTRUCTIONS BOOK

**BUBBLE
PACK
BOX
#1**



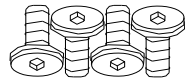
K161A - 1/2" WRENCH



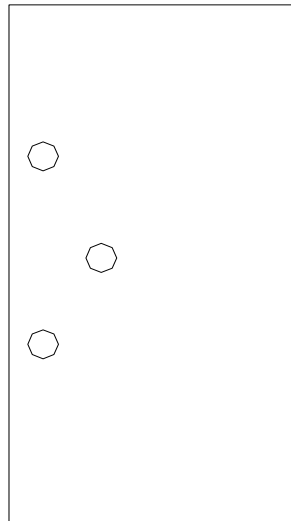
K161B - 12mm WRENCH



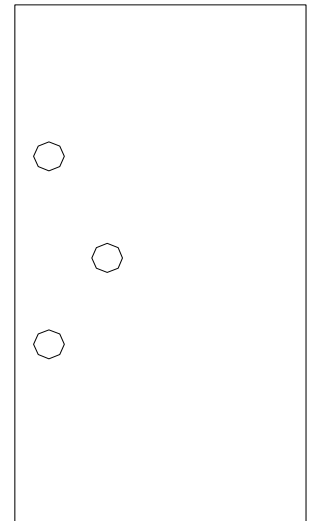
K160 - 4mm ALLEN WRENCH



K113C - 1/4" X 15mm ALLEN BOLT

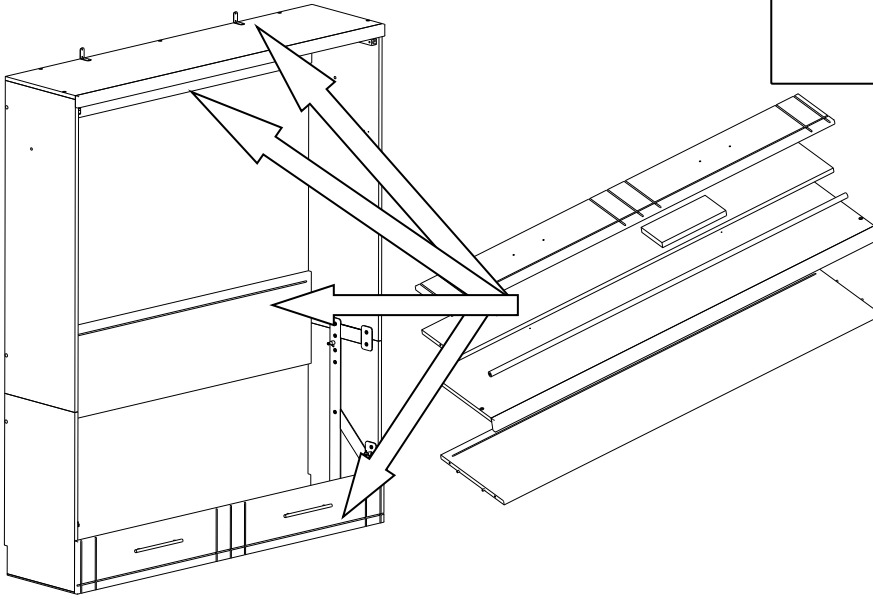


K157A - 1/4" SPACER BLOCK



K157B - 3/8" SPACER BLOCK

**-BOX-#2
HORIZONTAL PANELS**



BOX 2
 UP
 Assembly instructions are inside Box1

HORIZONTAL PANELS
 C. FT 5.23
 CM 0.128
 LBS 68
 KG 30.9

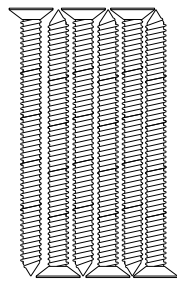
US PATENT PENDING

**HARDWARE
BOX
#2**

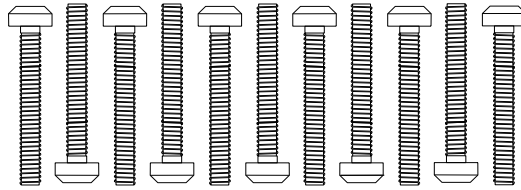


K156
Foot rod

**BUBBLE
PACK
BOX
#2**



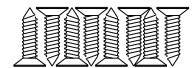
K119 - SCREW #10 X 2 3/4"



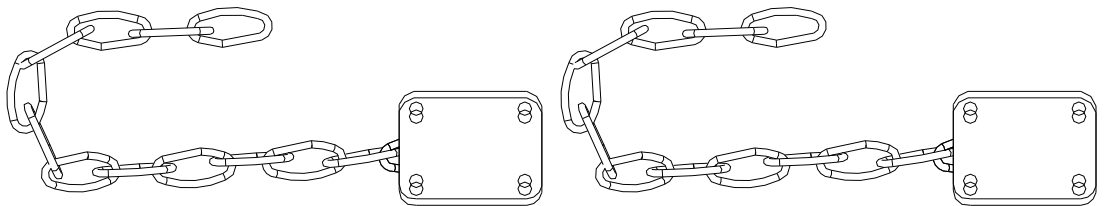
K110 - BED CASE ASSEMBLY BOLT



K111 - BARREL NUT

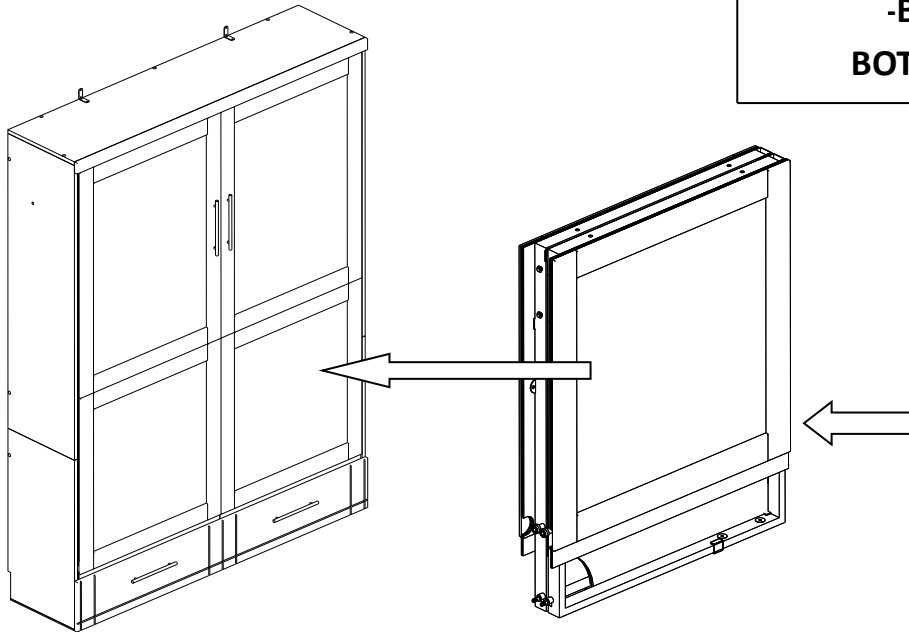


K123 - FSCREW #8 X 5/8"



K117A - SAFETY CHAINS

**-BOX-#3
BOTTOM BEDTRAY SET**



BOX 3
Assembly instructions are inside Box 1

↑
UP

BOTTOM BEDTRAY SET
C.FT 6.57
CM 0.186
LBS 74
KG 33.64

US PATENT PENDING

**HARDWARE
BOX
#3**

Bubble pack #3

K148C
Kick plate
Hooks

K114A
Springs

K153
Bayonet connector bar

K152
Side connector bars

K154
Mattress hoops

K155
Flip over legs

**BUBBLE
PACK
BOX
#3**

K105B - 5/16"X2 1/2" BOLT

K110 - 1/4"-20x45mm" ALLEN BOLT

K143 - 5/16" LOCK NUT

K106 - 5/16"X 1 1/4" FENDER WASHER

K101B - PLASTIC FASTENER

K123 - #8 FLAT SCREW

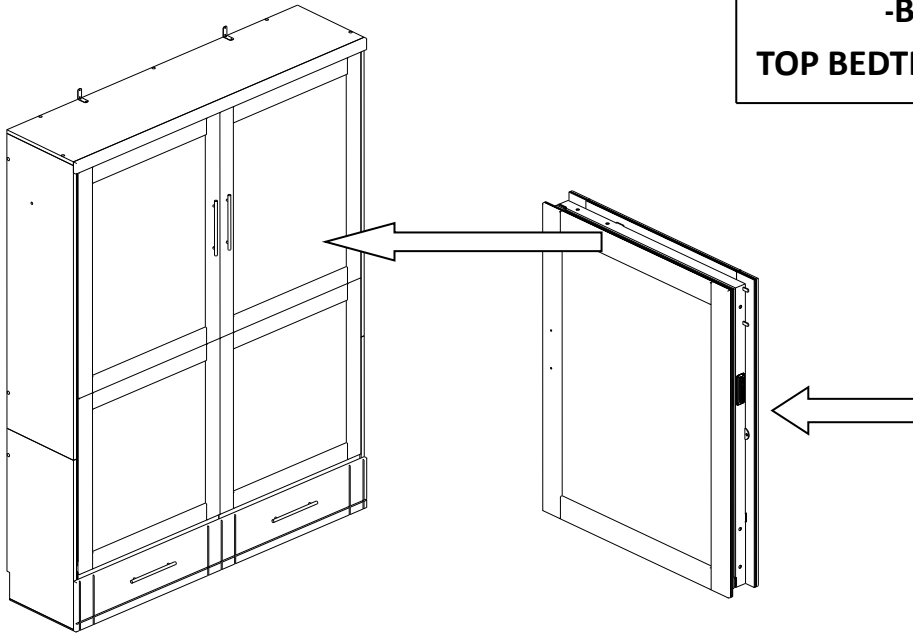
K141A - 5/16" STEEL WSHER

K116 - M8 NYLON WASHER

K141B - 1/4" STEEL WASHER

K139 - 1/4" LOCK WASHER

-BOX-#4
TOP BEDTRAY SET



BOX 4
Assembly instructions are inside Box1

↑
UP

TOP BEDTRAY SET
C.FT 6.57
CM 0.186
LBS 74
KG 33.64

US PATENT PENDING

<p>HARDWARE</p> <p>BOX #4</p>	<p>Bubble pack #4</p> <p>K153 Bayonet connector bar</p> <p>K162 Bumpers</p> <p>K152 Side connector bars</p> <p>K142 Plugs</p> <p>K118B Screws</p> <p>MDH-L Handles</p>
<p>BUBBLE PACK</p> <p>BOX #4</p>	<p>K105B - 5/16"X2 1/2" BOLT</p> <p>K123 - #8 X 5/8" SCREW</p> <p>K101 B- PLASTIC FASTENER</p> <p>K106 - FENDER WASHER</p> <p>K102 - L BRACKET</p> <p>K138 - SHEET METAL SCREW</p> <p>K104B - #8 1-1/4" SCREW</p> <p>K158 - PIVOT TOP CAPTURE(2PCS)</p> <p>K143 - 5/16" LOCK NUT</p> <p>K104A - #10 2" SCREW</p>

CONTINUED FROM PAGE 23 -- Attaching Desk Pivot Rod Plates to Kick Plate, and hooking the Kick Plate to the Bed Case

Attach the Desk Pivot Rod Plates to the kickplate by screwing them on with K123 screws.

Note that there are "left" and "right" pivot rods so follow the pictures carefully.

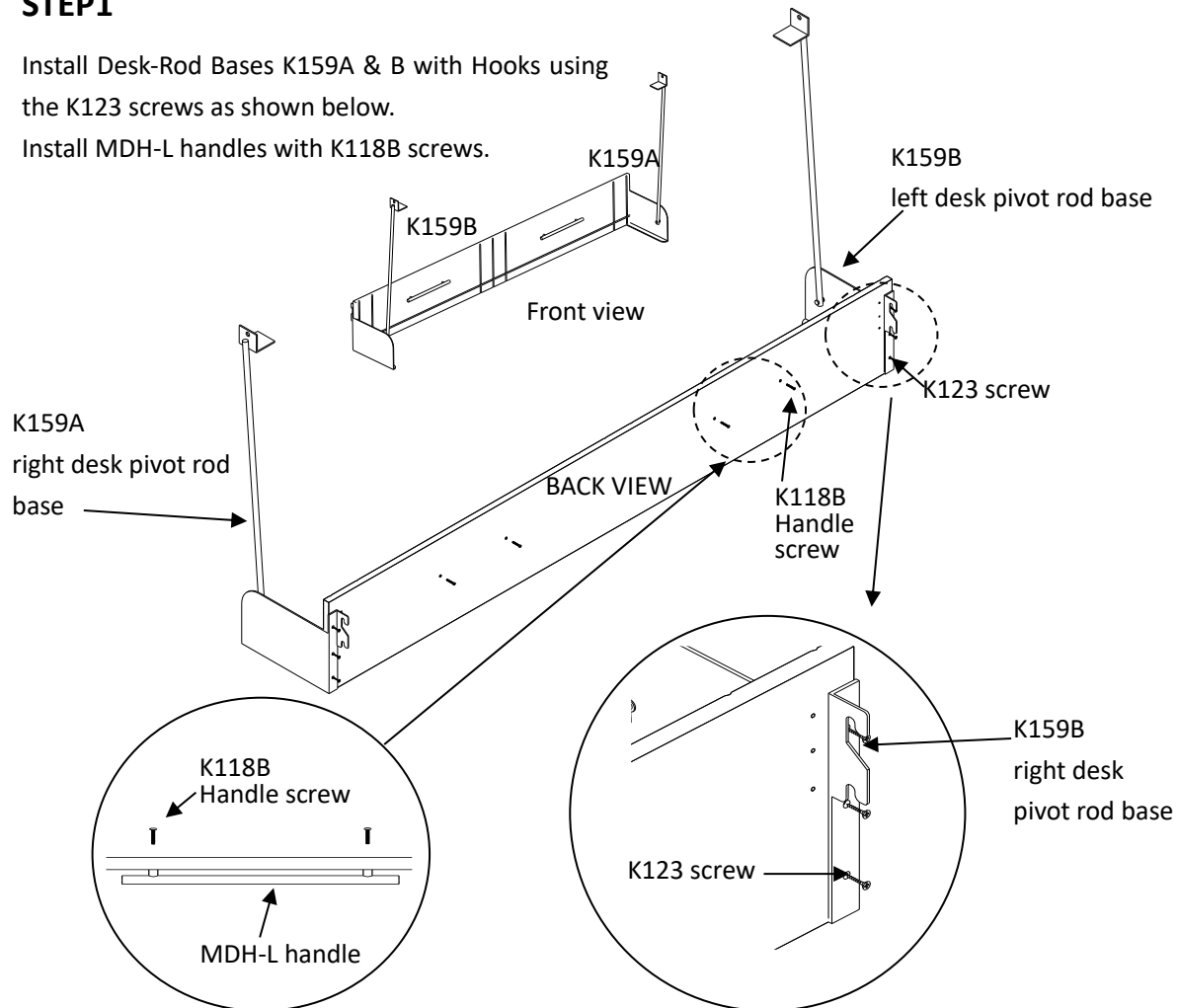
In the Furniture Biz, "left" and "right" are always reckoned from the point of view of the user standing in front and facing the completed product.

Find your parts illustrations on page 31

STEP 1

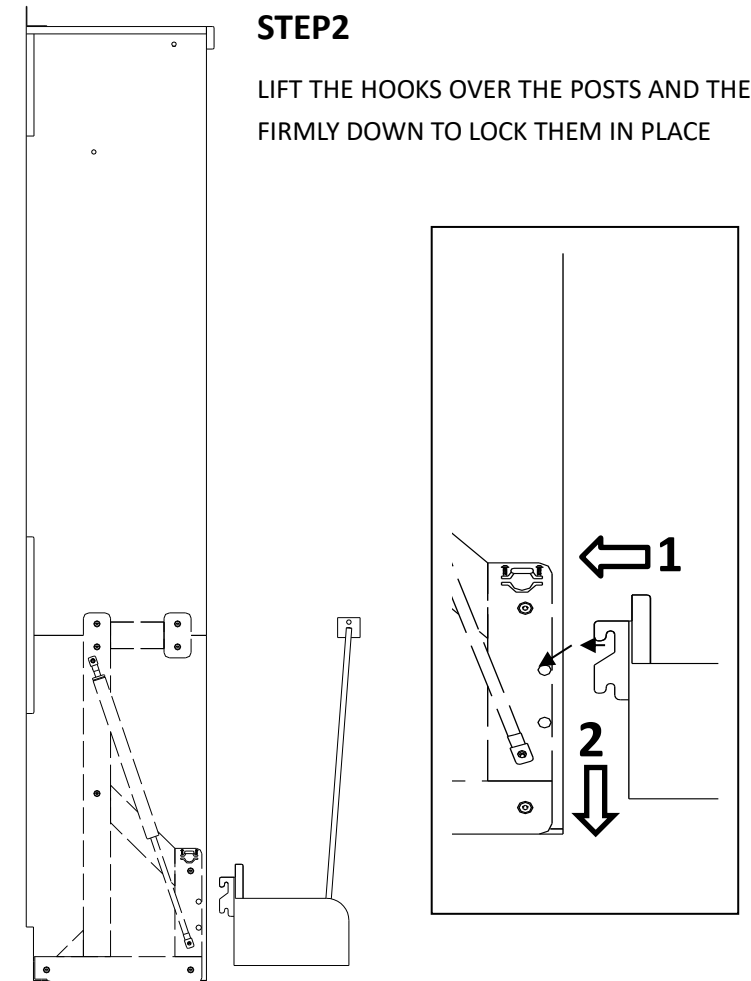
Install Desk-Rod Bases K159A & B with Hooks using the K123 screws as shown below.

Install MDH-L handles with K118B screws.



STEP 2

LIFT THE HOOKS OVER THE POSTS AND THEN FIRMLY DOWN TO LOCK THEM IN PLACE



Set up the Desk Tray and Connect to the Bed Face Hinges and the Desk Pivot Rods

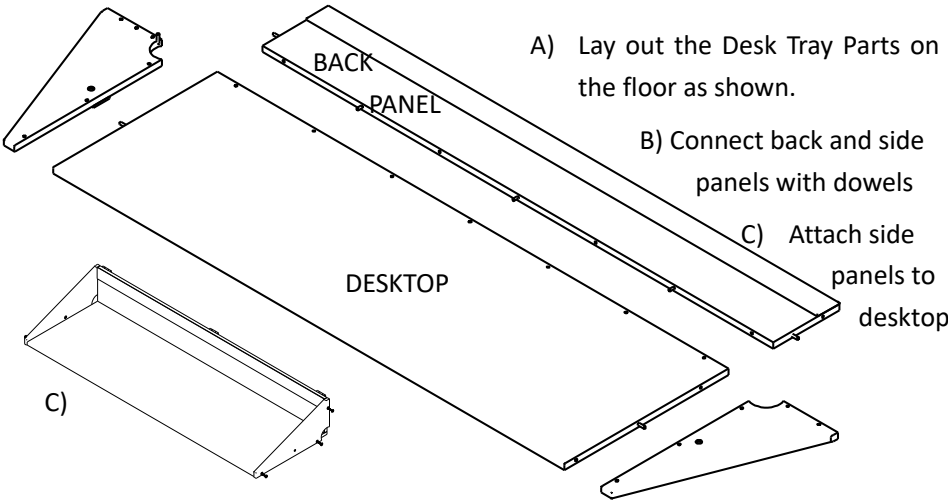
HARDWARE BOX #5 & BUBBLE-PACK #5 CONTENTS SHOWN ON PAGE 32

STEP 1:

A) Lay out the Desk Tray Parts on the floor as shown.

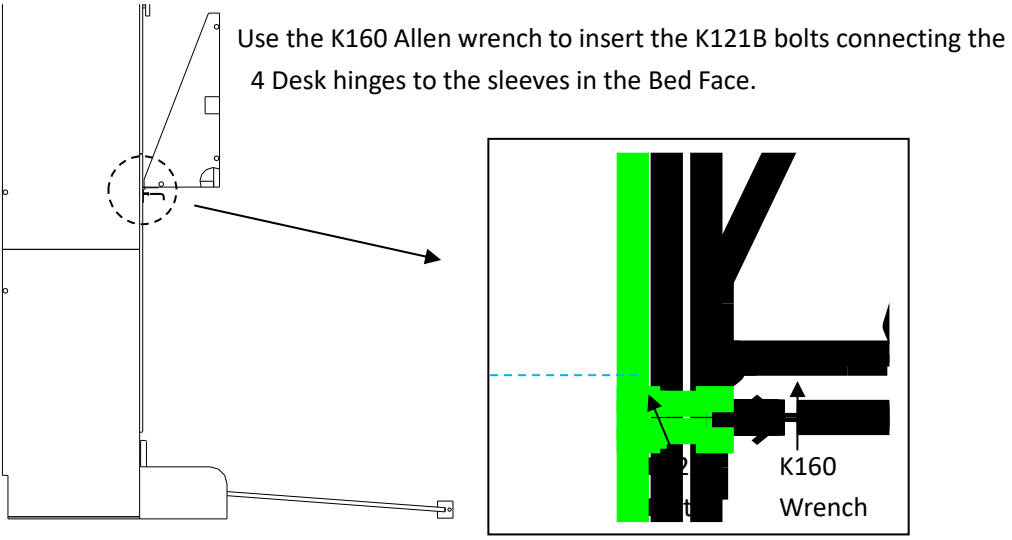
B) Connect back and side panels with dowels

C) Attach side panels to desktop



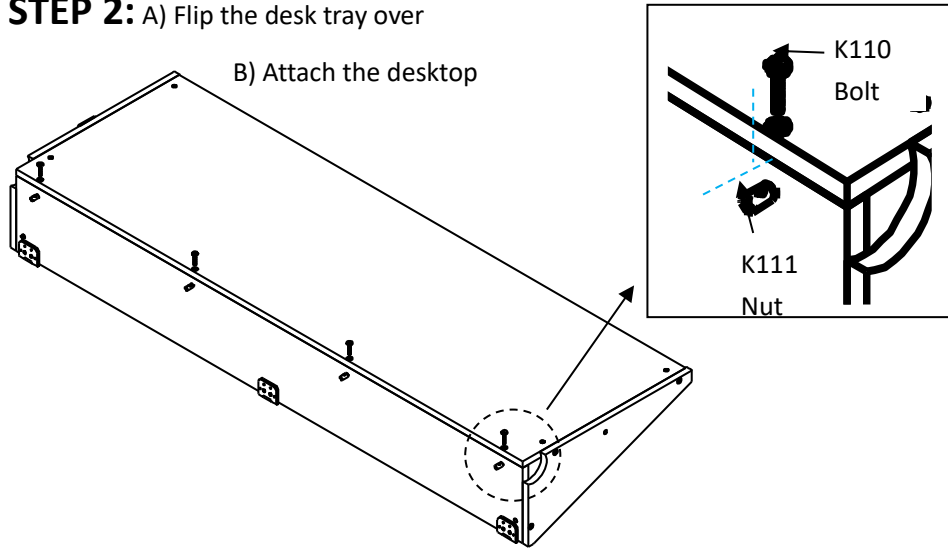
STEP 3: With one person holding the desk tray in place,

Use the K160 Allen wrench to insert the K121B bolts connecting the 4 Desk hinges to the sleeves in the Bed Face.



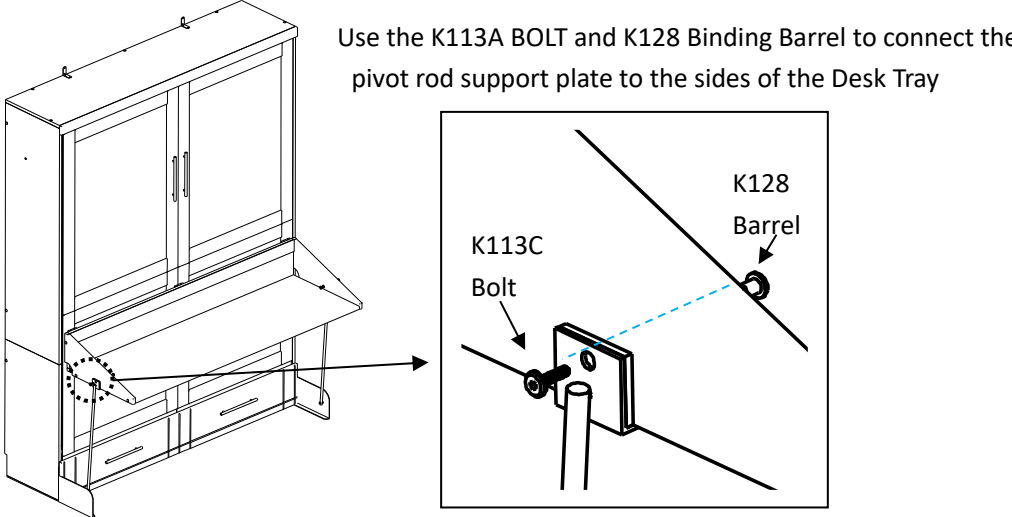
STEP 2: A) Flip the desk tray over

B) Attach the desktop



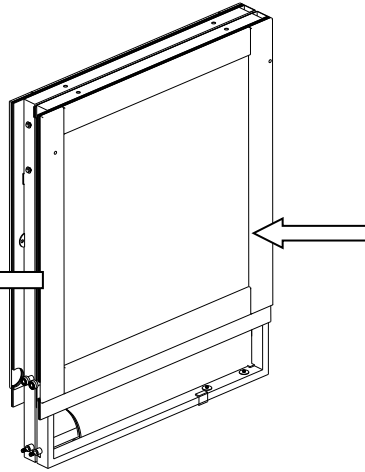
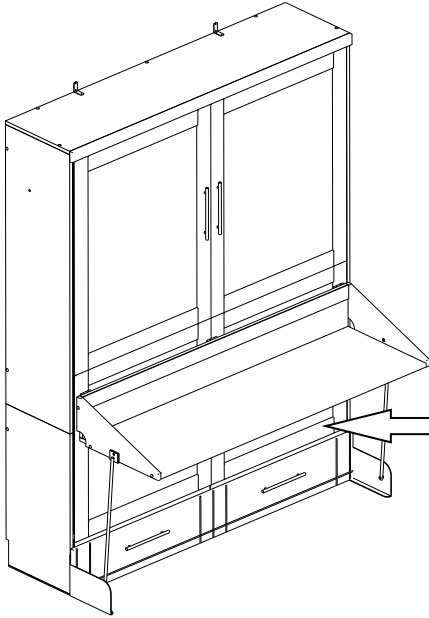
STEP 4: Lower the Desk Tray while holding the Bed Face closed.

Use the K113A BOLT and K128 Binding Barrel to connect the pivot rod support plate to the sides of the Desk Tray



Enjoy your new Murphy Desk Bed!!! 😊

-BOX-#3A
DESK BED-BOTTOM-TRAY SET



BOX 3A

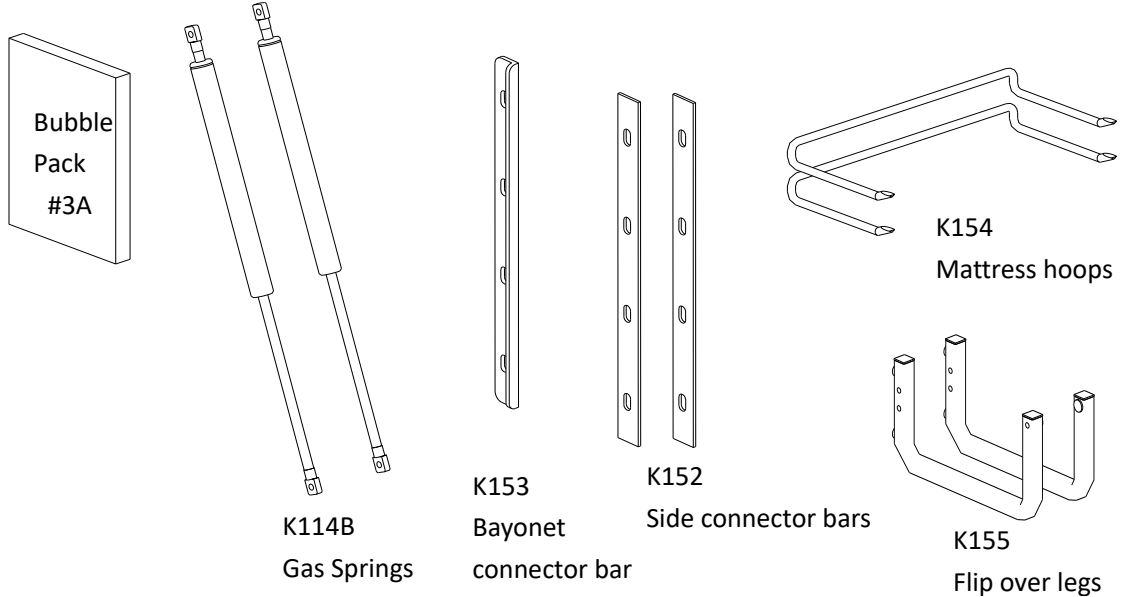
↑
UP

Assembly instructions are inside Box1

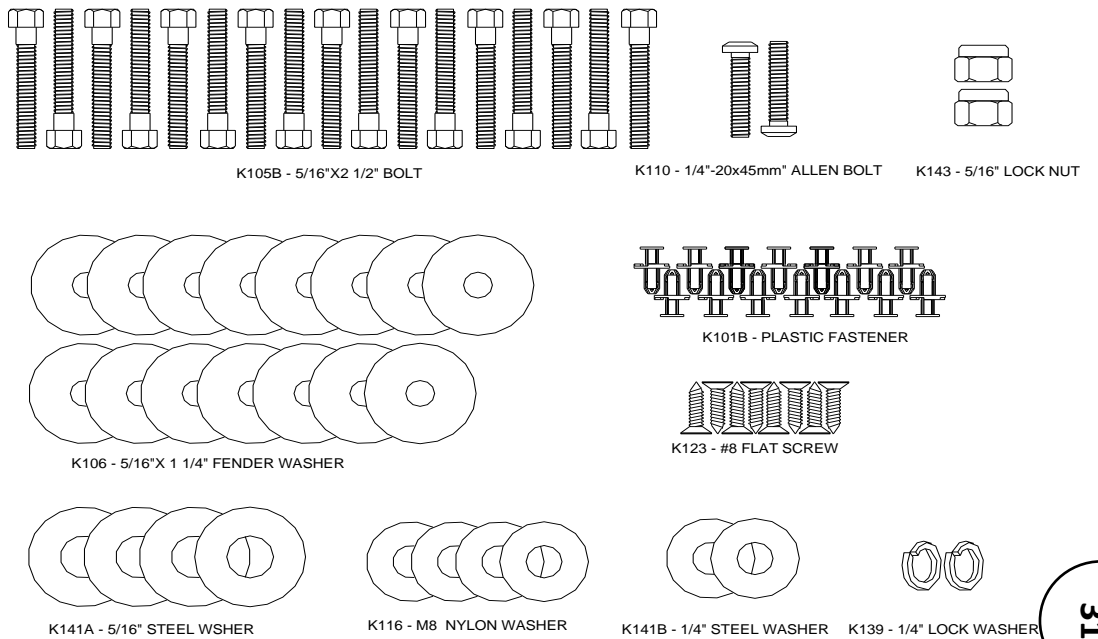
DESKBED
 BOTTOM BEDTRAY SET
 C.FT 6.57
 CM 0.186
 LBS 74
 KG 33.64

US PATENT PENDING

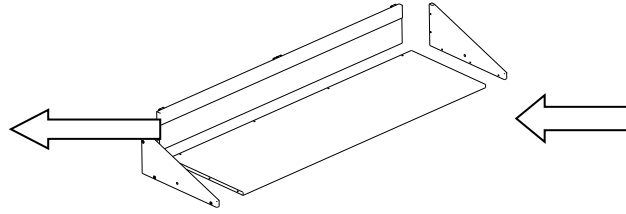
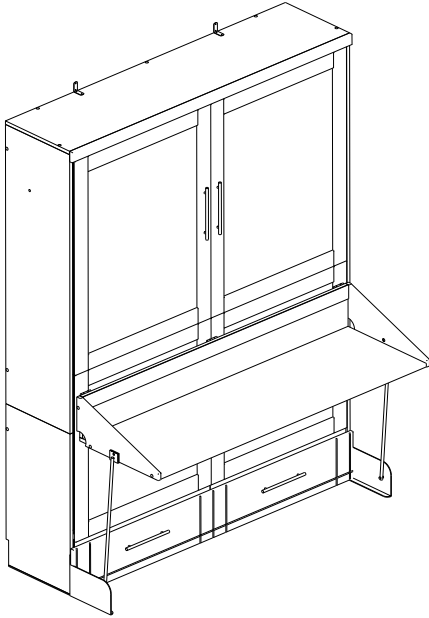
HARDWARE
BOX
#3A



BUBBLE
PACK
BOX
#3A



**-BOX-#5
DESKTRAY**

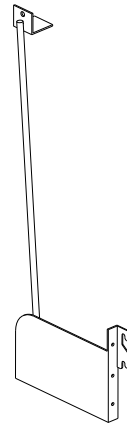
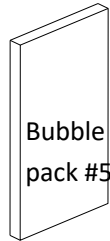


BOX 5
 ↑ UP
 Assembly instructions are inside Box 1

DESKBED
 TRA DESK TRAY
 C.FT 6.24
 CM 0.176
 LBS 44
 KG 20

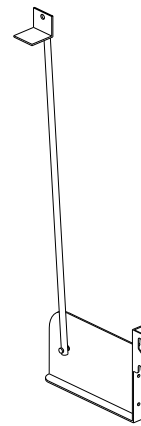
US PATENT PENDING

**HARDWARE
BOX
#5**



K159A

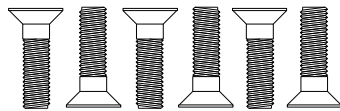
Right desk pivot rod



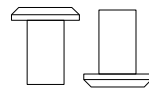
K159B

Left desk pivot rod

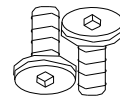
**BUBBLE
PACK
BOX
#5**



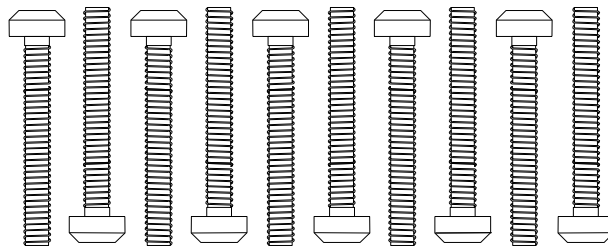
K121B - FLAT HEAD BOLT



K128 - BINDING BARREL



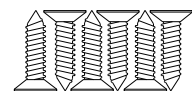
K113C - 15mm CHEESE HEAD BOLT



K110 - 1/4" X 1 5/8" BOLT



K111 - BARREL NUT



K123 - #8 X 5/8" SCREW

APPENDIX 1 – Mounting your Murphy Bed to a concrete wall (such as is often found in a basement).

If you have either brick or masonry WITHOUT DRYWALL - We recommend the TAPCON Concrete Screw System, model 3/16" x 2.1/4" flat-head screw.

If you have DRYWALL ON TOP OF THE MASONRY – We recommend the TAPCON 3/16" x 2.3/4" concrete anchor.

We believe these come with the appropriate 5/32 drill bit.

Installing screws into masonry will require the use of a "hammer drill" to drill the pilot hole – not a normal drill gun – so you may want to start calling "handy" friends to see if they possess this tool.

When you drill the holes for installation into masonry – you can use the 3 holes in the flange arm as a guide, and otherwise follow the same instructions as shown on pages 8 and 9.

Warranty

Our products are warranted against defects in materials and workmanship to the original purchaser. Warranty coverage begins at the time of consumer purchase and is non-transferable. This warranty does not cover any loss or damage resulting from: improper installation; unauthorized repairs; unintended use or abuse.

Accordingly, we, at its sole discretion, will provide resources to repair or replace any defective part within a reasonable time frame. If a replacement part is not available, reasonable efforts will be made to locate a compatible replacement part. If a compatible part is not available, we may replace your product with a similar product. Under no circumstances shall the retail replacement value exceed the original net price paid for the product. In the event you choose not to accept a replacement for your product, we are no longer responsible for making repairs under the warranty coverage.

Our Murphy Beds have a maximum warranted capacity of 600 lbs. Murphy Bed Sofas have a maximum weight capacity of 600 lbs. The Xtrabed Mobile Wallbed has a maximum warranted capacity of 600 lbs.

Small parts that are found to be lost, missing, or not serviceable during the assembly process will be replaced by us at no cost, including but not limited to, flip-over feet and/or foot rod, mattress hoops, bed tray bumpers, latches, safety chains, hinges, bolts, screws, washers and nuts.

Gas springs are warranted to be free from defect in material or workmanship for a period of 5 years. Wooden bed case parts and accessory wood units, including, piers, desks and murphy sofas are warranted to be free of defect in material or workmanship for a period of 1 year. Electrical lighting is warranted to be free from defect in material or workmanship for a period of 1 year.

Care & Maintenance Tips

It is surprisingly simple to protect and enhance the real wood surfaces on your new furniture. All that is required is some tender, loving care. Here are a few tips to keep your furniture looking good:

- Dust your furniture regularly with a soft, dry, clean cloth. While dusting please remember to always lift, not slide, objects to avoid scratching or marring the surface of your product.
- Avoid continuous exposure to direct sunlight. Exposure to direct sunlight for long periods may cause the finish to fade or change color over time.
- The finish on your product does not require any furniture polish or wax. If it requires cleaning, we recommend using Murphy's oil soap. Spray a little on the surface and wipe it off with a soft, clean dry cloth.
- Excessive and/or prolonged exposure to humidity above 85% or below 15%, and/or extreme temperatures above 100 or below 40 degrees Fahrenheit can damage wood furniture.
- Chemicals in some rubber and plastics may soften the finish so it is best to avoid placing them on the wood surface for extended periods. Using felt or cork on the bottoms of things like lamps or book ends will protect the wood surface from scratches without the softening effect of rubber or plastic.
- Spilled liquids or glass rings should be blotted up immediately with a soft clean cloth. It is always a good idea to use coasters.
- Never allow products containing solvents such as thinners, alcohol, ammonia, and nail polish or nail polish removers to come in contact with your furniture as these products may dissolve finish in the area that they come in contact with.