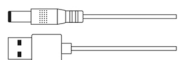
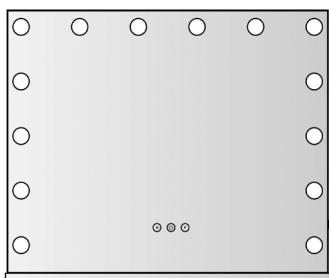


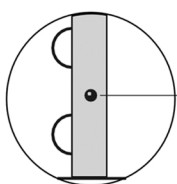
Hollywood Vanity Makeup Mirror Instruction

CONTAINED ITEMS



- 1 * Mirror
- 1 * 10X Magnifying
- 1 * USB Cable
- 1 * Screw set

Wall Hanging holes



DC Port



M



POWER



P

M BUTTON:

Short press to change the color temperature (warm light, nature light, cold light)

POWER BUTTON:

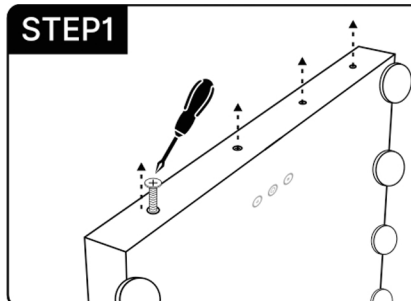
Short press to turn on/ off the light.

P BUTTON:

Long press to adjust brightness.

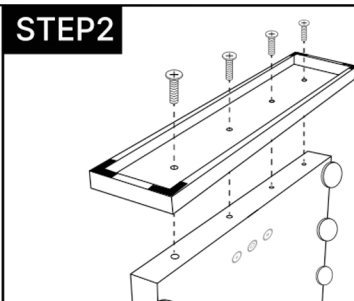
INSTALLATION STEPS

STEP1



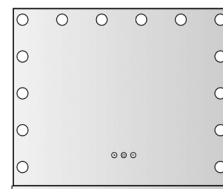
Unscrew the screws at the bottom of the mirror.

STEP2



Align the holes on the base and the bottom of the mirror, and tighten the screws.

STEP3



Installation is completed.

CAUTION:

KEEP AWAY FROM FIRE & WATER!

THIS IS NOT A TOY. NOT SUITABLE FOR CHILDREN UNDER 3 YEARS OLD!

- Please read the instructions carefully before using.
- Far away from children' s access.
- Do not disassemble or refit the products. Do not immerse the mirror in water or any other liquid when cleaning
- Do not place the product in a humid environment. Always unplug the mirror before cleaning
- Keep the mirror dry, moisture will reduce the sensitivity of the product.
- Never operate the mirror when the wire or plug of the mirror is damaged.
- Avoid direct sunlight on mirror, the reflected light may cause a fire.
- Stop using it immediately if there is any abnormality. Do not use harsh, abrasive cleaners and furniture polishes when cleaning.

Electricity and water are a dangerous combination. But did you know that even if the switch is turned off, the appliance is still live? If the plug is inserted, the power is on. Therefore, when you are not using electrical appliances, please unplug them.