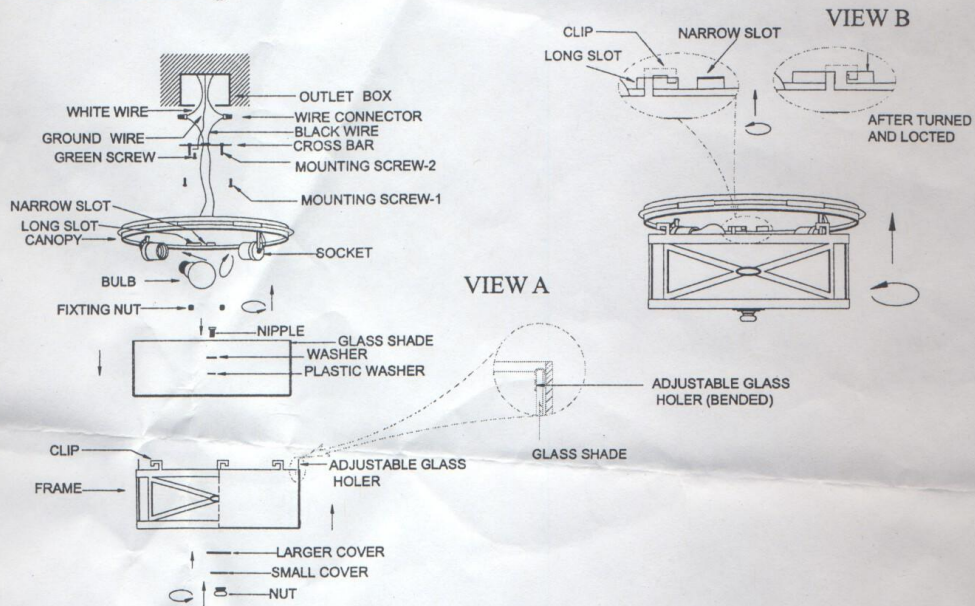


ASSEMBLY AND INSTALLATION INSTRUCTIONS FOR ITEM #255421/#255421-17

WARNING

TO AVOID RISK OF ELECTRICAL SHOCK, BE SURE TO SHUT OFF POWER WHILE INSTALLING OR SERVICING THIS FIXTURE.

NOTE: Should any difficulty be experienced, please consult a qualified electrician before installing.



Installation steps:

1. Attach the Cross Bar to the Outlet Box by the 2PCS mounting Screw-1 upwards.
2. Make wire connections with Wire Connectors:
 - Connect the Black Wire from the light to the Black Wire from the Outlet Box.
 - Connect the White Wire from the light to the White Wire from the Outlet Box.
 - Attached the Ground Wire and House Ground Wire to the Cross Bar with a Green Screw.
 Carefully tuck wires back into the Outlet Box
3. Attached the Canopy to the Cross Bar and insert the Mounting Screw -2 into the Canopy and tighten with Fixting Nut.
4. Thread the Nipple to the Glass through the Washer, Plastic Wahser , Glass , Larger Cover , Small Cover and Nut in order, please do not fix the Nut to tight in case the Glass will be broken.
Put the Glass Shade into the Frame and secure with the Adjustable Glass Holer as View A shown.
5. Install Bulbs. (Bulbs are not included, please do not exceed the maximum capacity which is recommended on the canopy.)
6. Raise up the Frame With the Glass to the Canopy and insert the 3PCS of Clips into the Long Slot then turn the fixture counterclockwise and locked the Clips into the Narrow Slot as View B shown.
7. Turn no the power at Fuse or Circuit Box and enjoy your new fixture.