

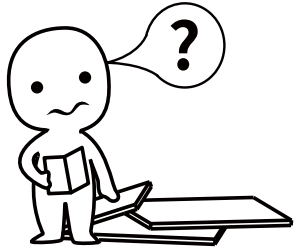
140CM STORAGE CABINET DINING CAR

Installation Video QR



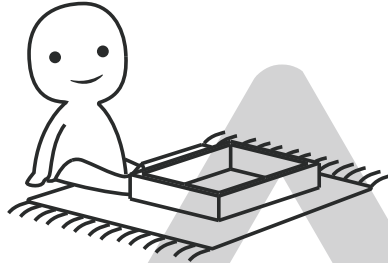
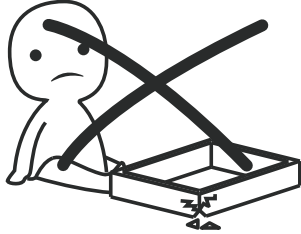
SKU:DJ0766-140CM <https://vimeo.com/1048564022>

DJ0766



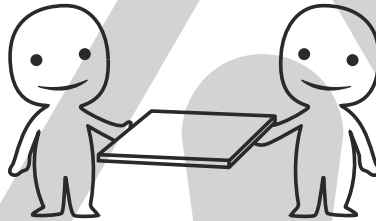
IMPORTANT INFORMATION!

please read the entire manual before starting to assemble and/or using this product. follow the manual thoroughly and keep it for further reference.



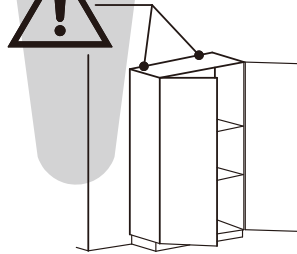
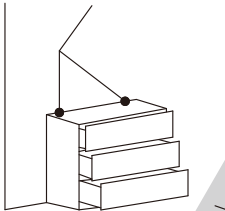
AVOID SCRATCHES!

In order to avoid scratching this furniture should be assembled on a soft layer- could be a rug.



IMPROVE EFFICIENCY !

Try to find a partner to install with you, which can speed up the installation efficiency and shorten the time.



ANTI-TOPPLE WARNING !

Overturned furniture can cause serious or fatal crush injuries. To prevent tipping over, be sure to use the wall attachment, if not included with this product. Please purchase the wall attachment that fit your wall. If unsure, seek professional advice. Please read and follow each step of the instructions carefully.

IMPORTANT !

It is important that any product which is assembled using any kind of screw is re-tightened 2 weeks after assembly, and once every 3 months - in order to assure stability through-out the lifespan of the product.

For regular maintenance and cleaning of the product, for the frame, please use a rag dipped in neutral detergent to fully wipe it, and then dry it with a clean rag. For glass materials, wipe with a rag dampened with water glass cleaner, and then dry with a dry rag.

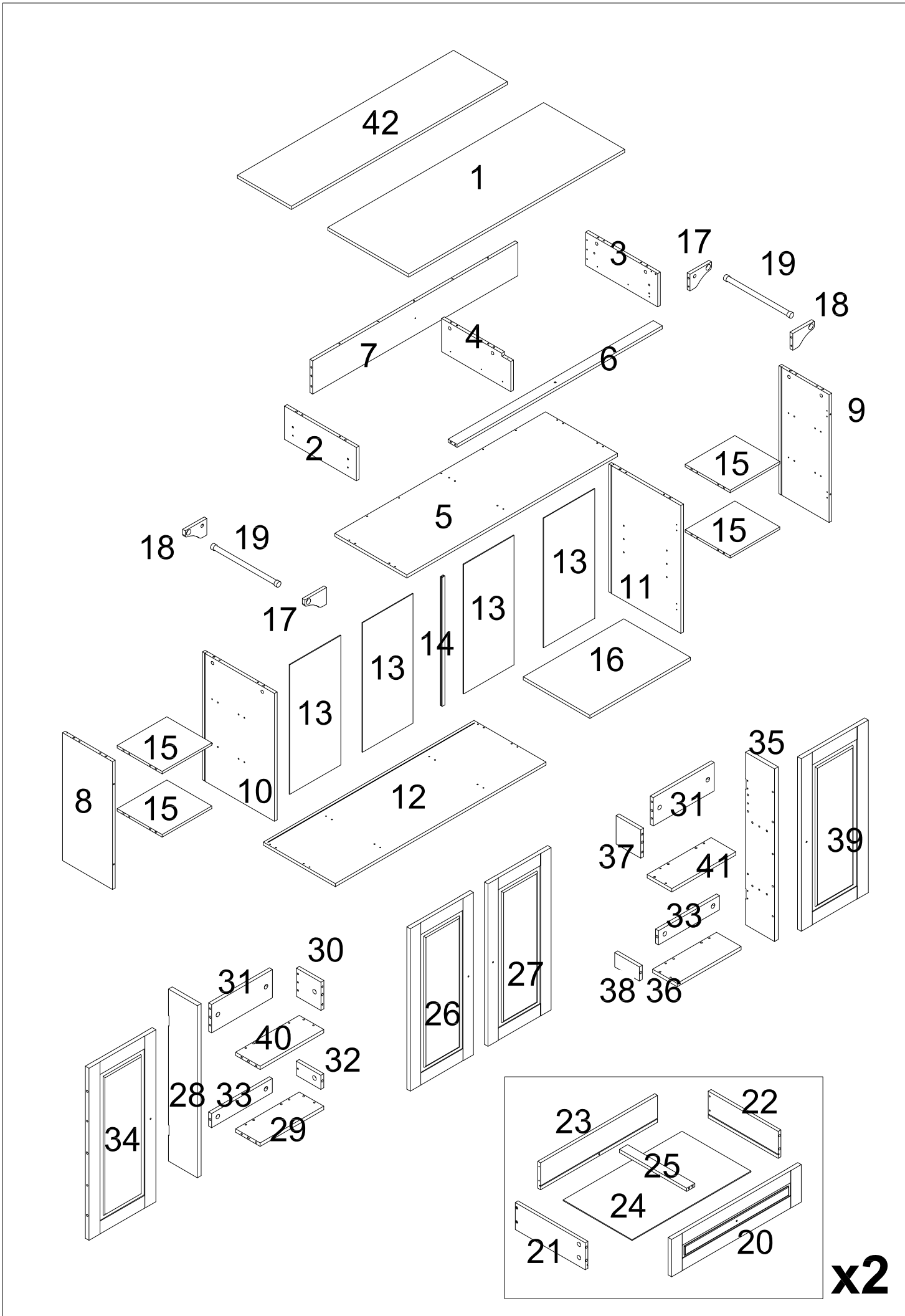
Do not use an electric screwdriver, and do not use too much force when installing, because the board is easy to break.

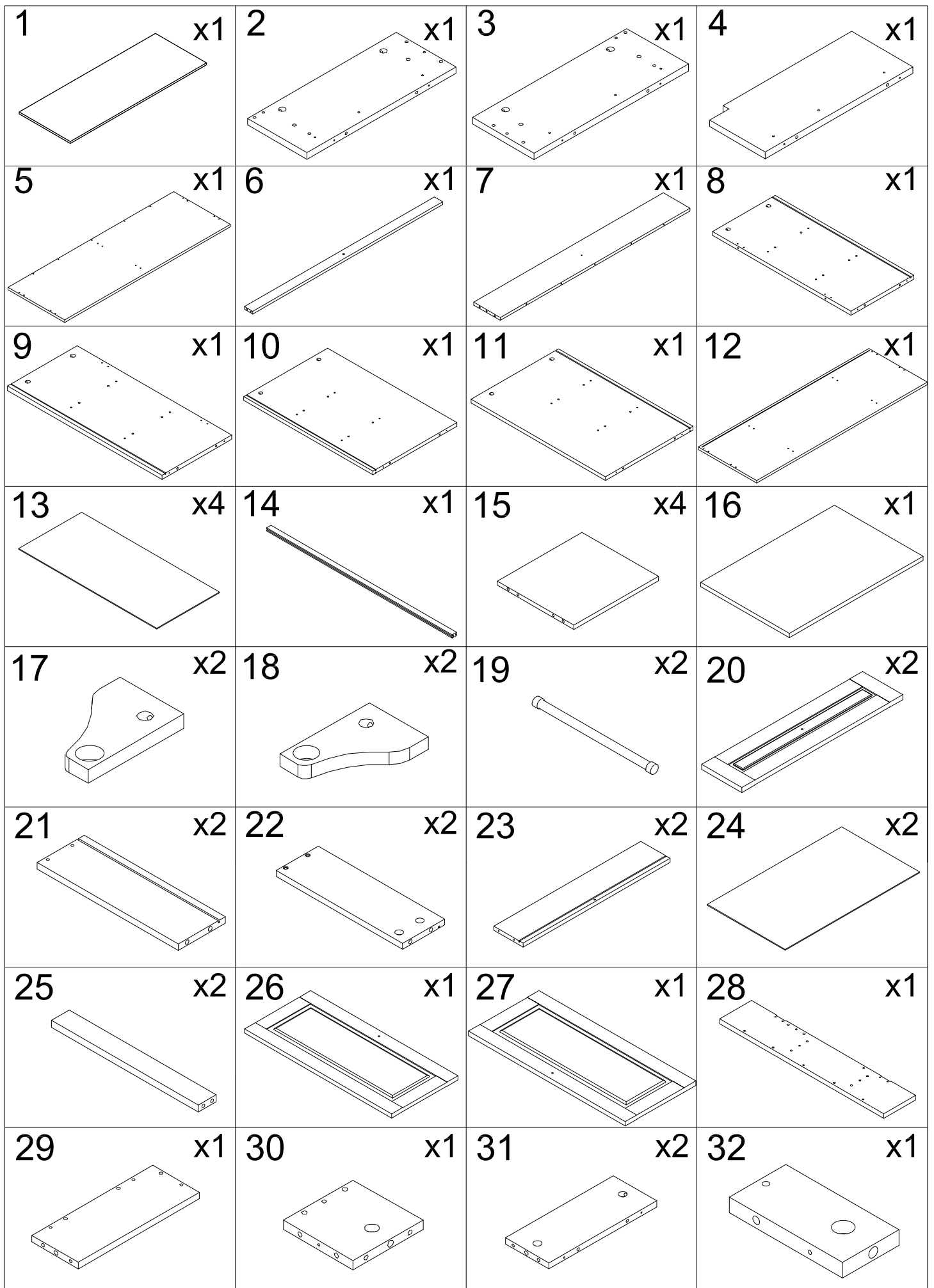
'SAFETY TIPS:

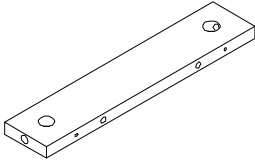
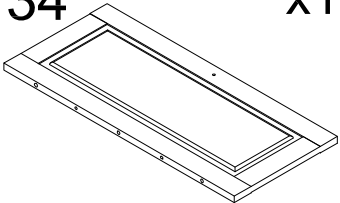
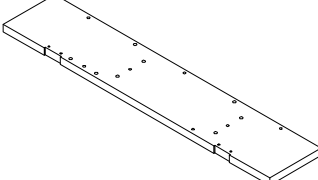
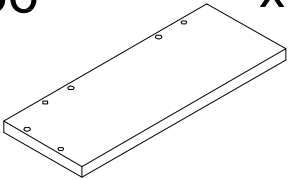
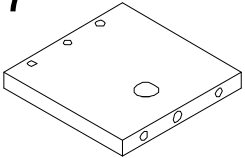
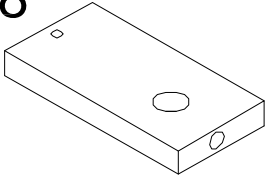
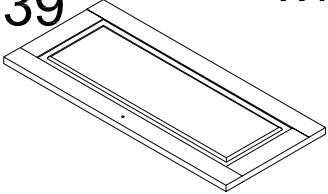
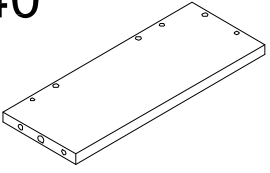
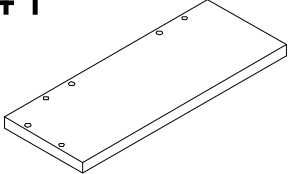
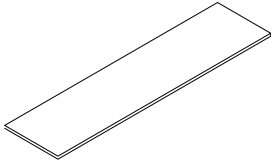
Static charge may cause dust on foam- clean with a dry or damp cloth.
Smafoam strands may represent - handle gently and dispose of properly.

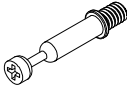
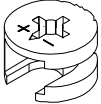
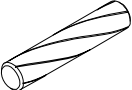
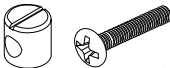
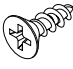
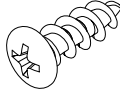
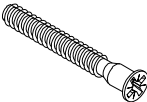
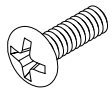
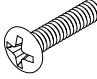
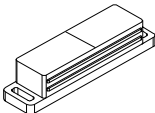
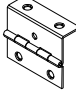
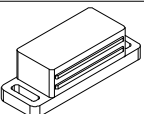



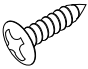

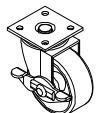
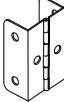
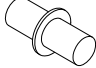
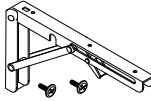
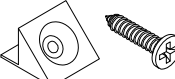
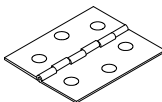
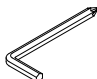
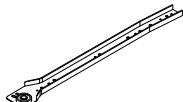
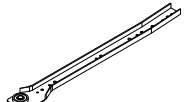
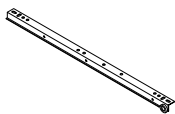
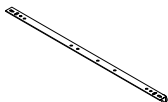
Do not burn or incinerate.

Check local recycling guidelines.


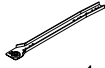



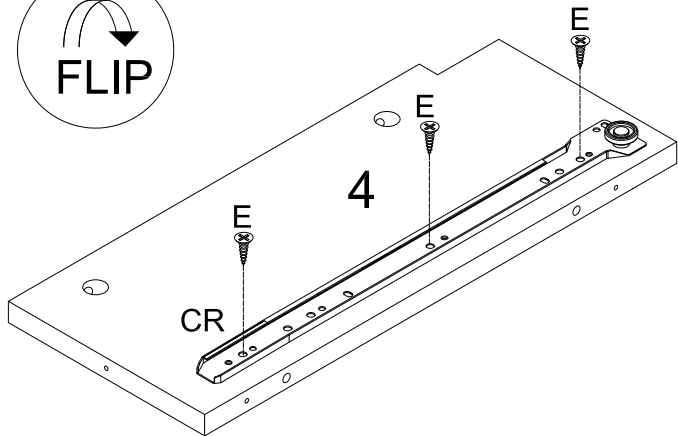
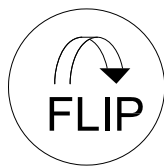
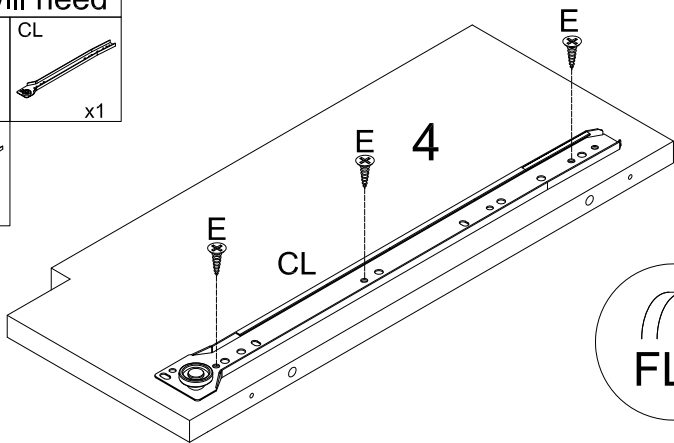


<p>33 x2</p> 	<p>34 x1</p> 	<p>35 x1</p> 	<p>36 x1</p> 
<p>37 x1</p> 	<p>38 x1</p> 	<p>39 x1</p> 	<p>40 x1</p> 
<p>41 x1</p> 	<p>42 x1</p> 		

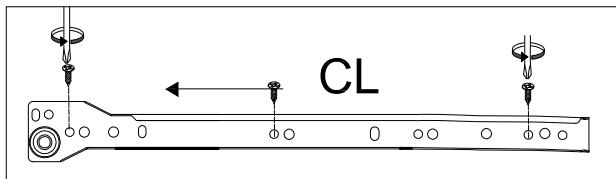
A	 6x35mm	69 pcs +4 pcs	B		69 pcs +4 pcs
C	 6x30mm	96 pcs +5 pcs	D	 6x50mm	4 pcs
E	 3.5*14mm	62 pcs +4 pcs	F	 5*14mm	20 pcs +2 pcs
G	 5*40mm	41 pcs +2 pcs	H	 4*16mm	2 pcs
I	 4*18mm	4 pcs	J		1 pc
K		4 pcs	L		2 pcs
M	 3*14mm	24 pcs +2 pcs	N		6 pcs
O		35 pcs	P	 3*14mm*D6	6 pcs +1 pc
Q		3 pcs	R		2 pcs
S		4 pcs	T		4 pcs
U		2 pcs	V	 3x14mm	12 pcs +2 pcs
W		3 pcs	Y		1 pc
CL		2 pcs	CR		2 pcs
DL		2 pcs	DR		2 pcs

You will need

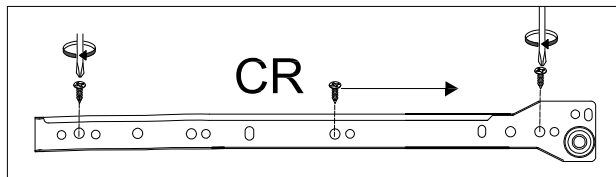
- | | |
|---|---|
| E

x6 | CL

x1 |
| CR

x1 | |




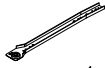


FRONT

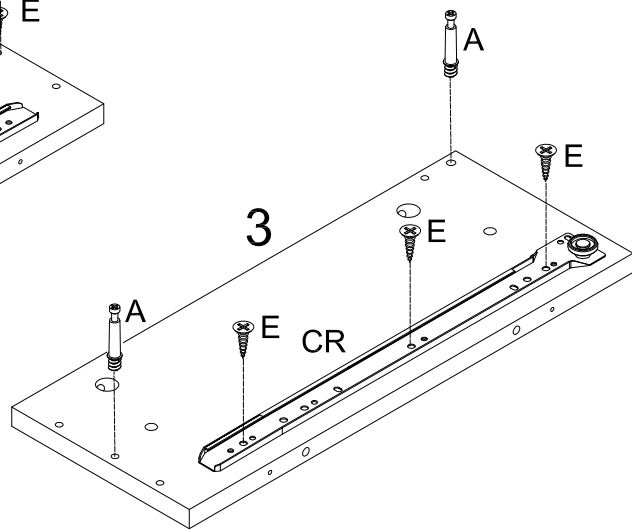
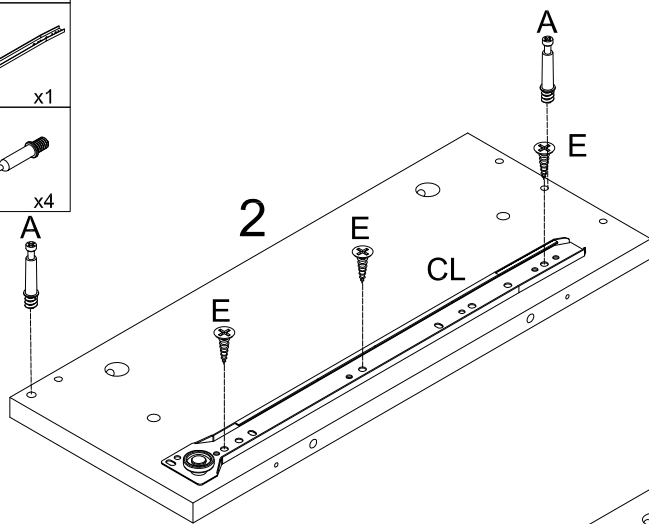


FRONT

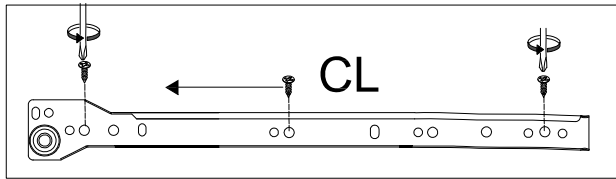


You will need

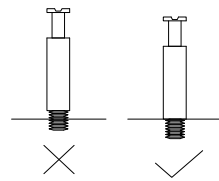
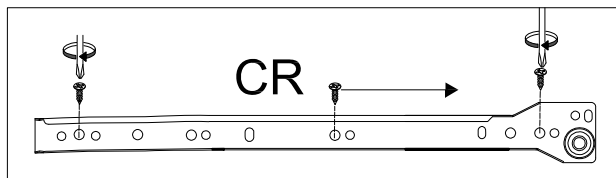
- | | |
|---|---|
| E

x6 | CL

x1 |
| CR

x1 | A

x4 |



FRONT

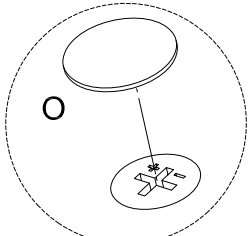


FRONT

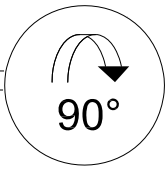
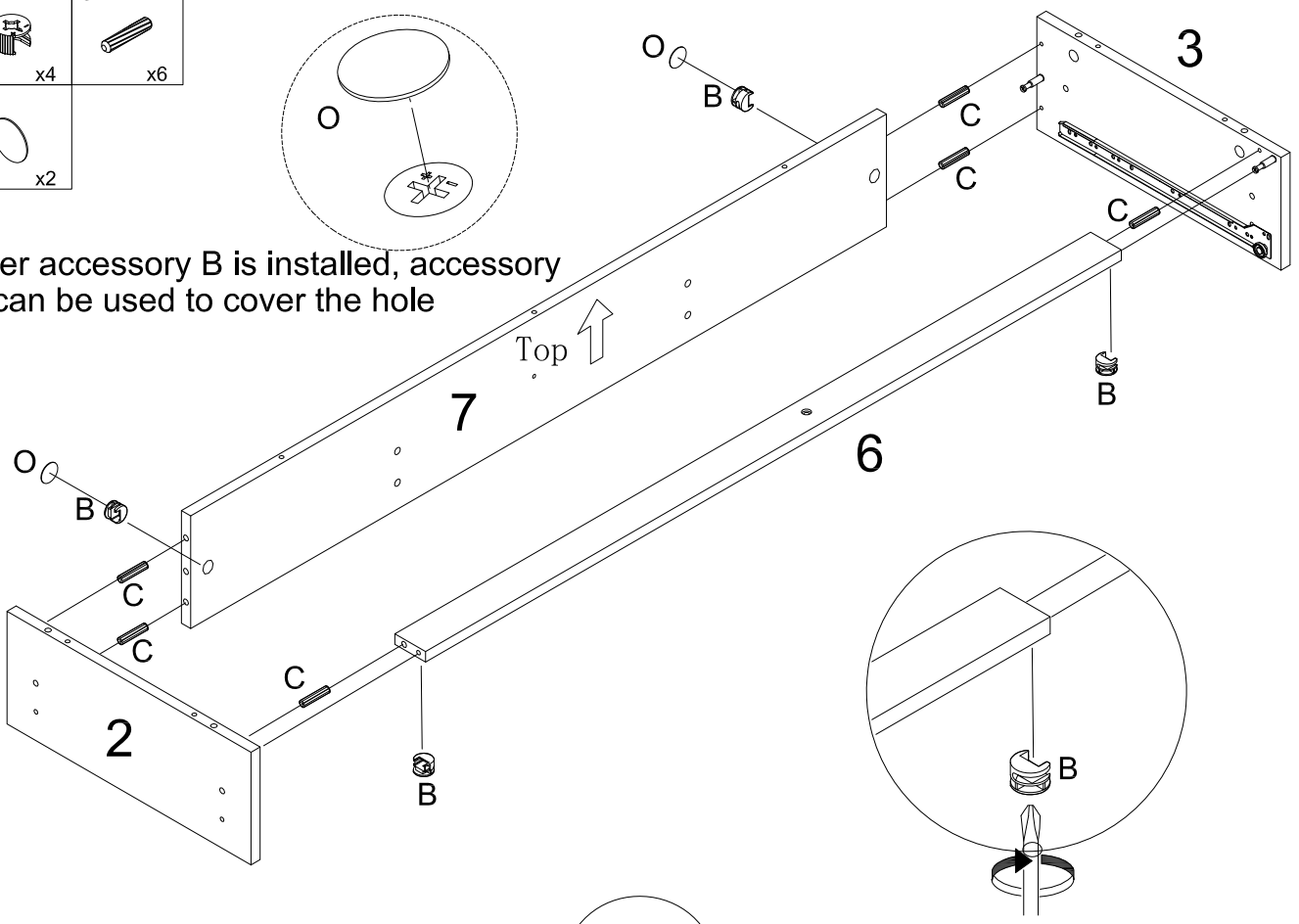


You will need

B x4	C x6
O x2	

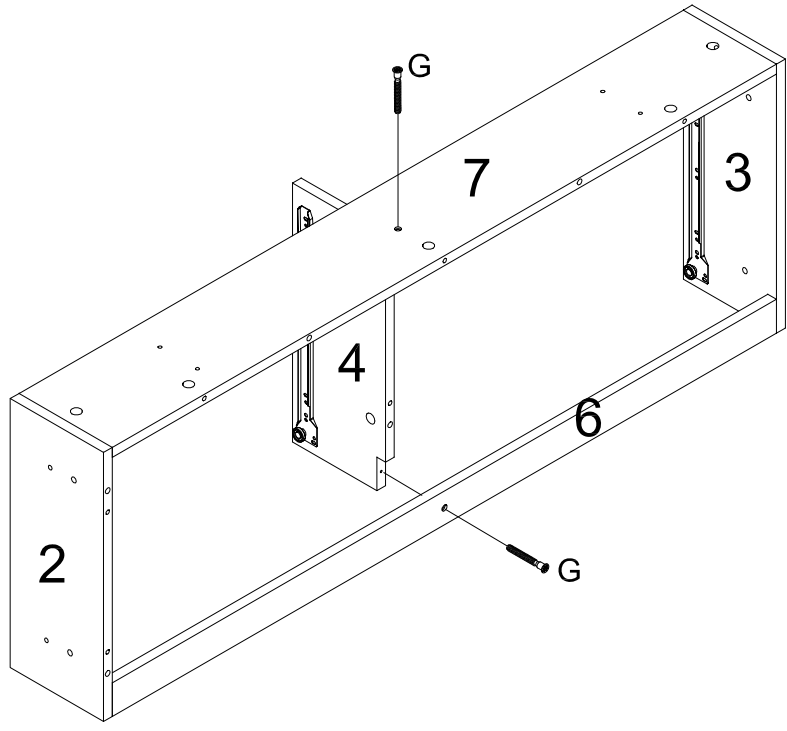


After accessory B is installed, accessory O can be used to cover the hole






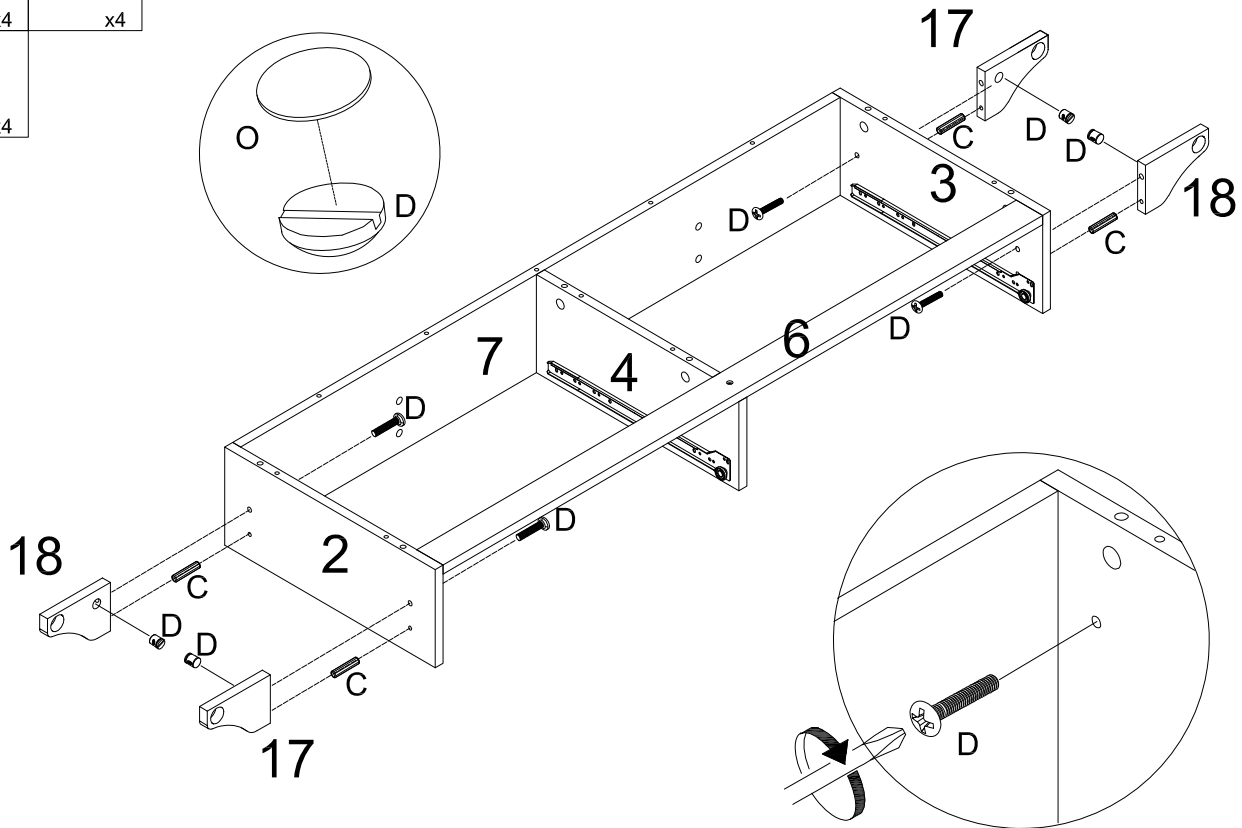
You will need

G x2



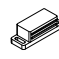
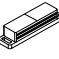


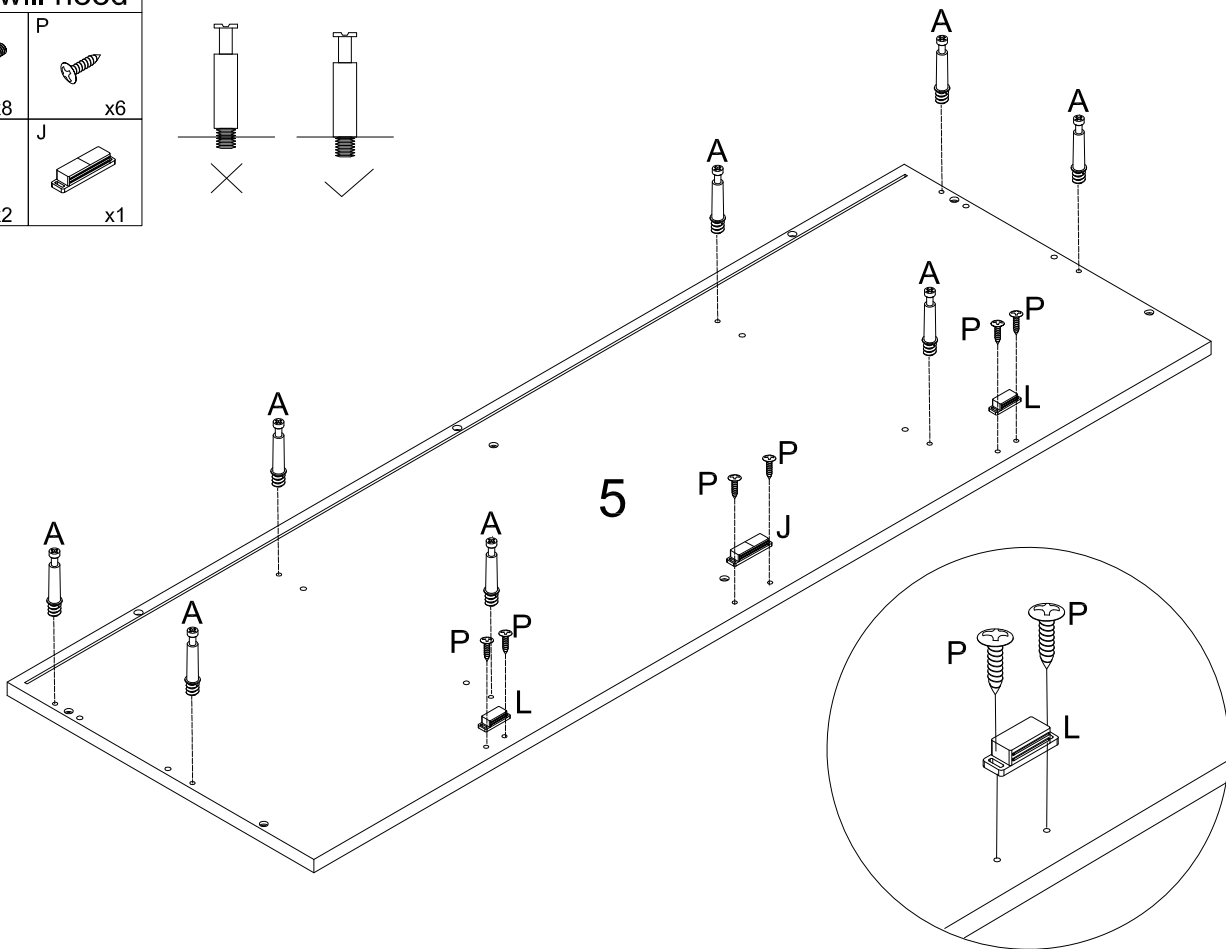
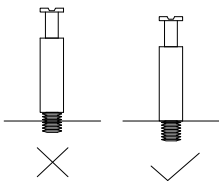
You will need

D  x4	C  x4
O  x4	

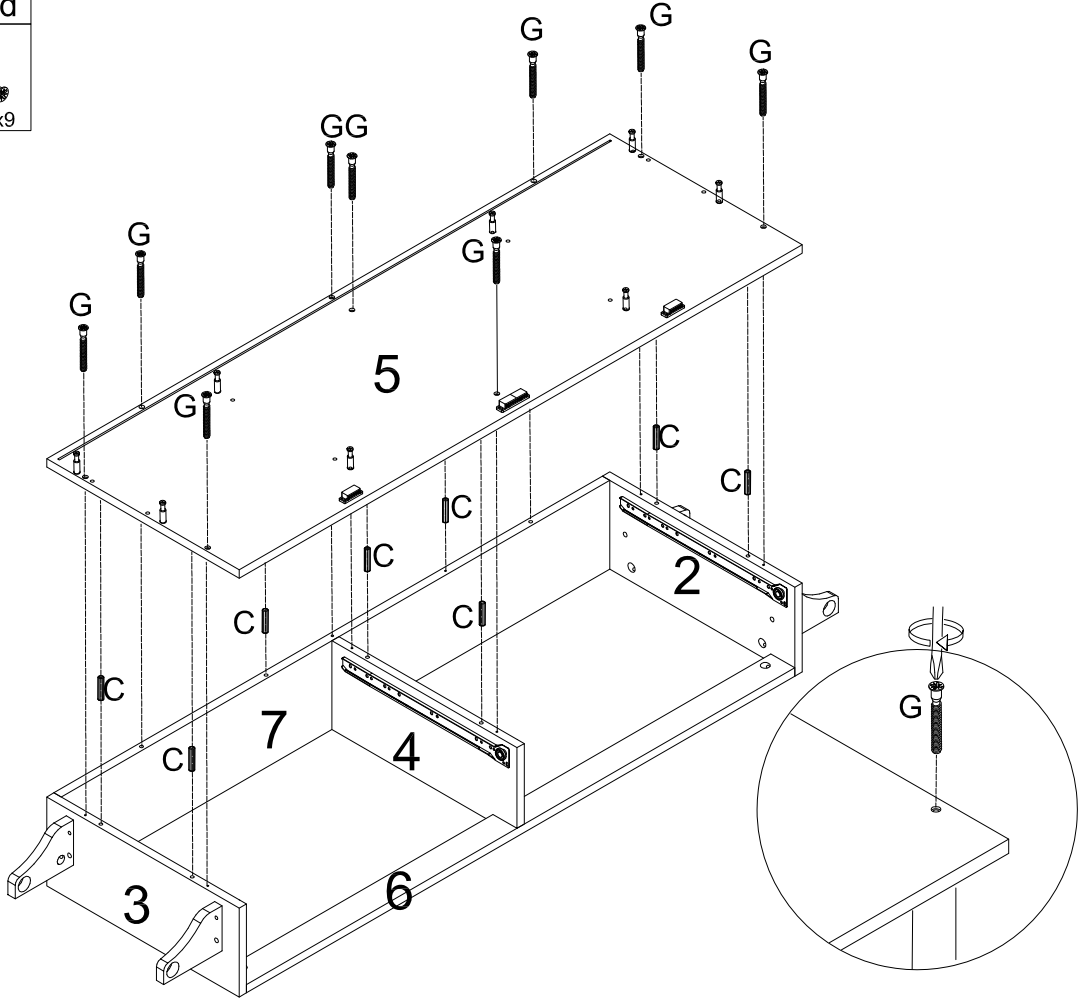
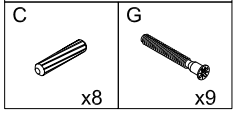


You will need

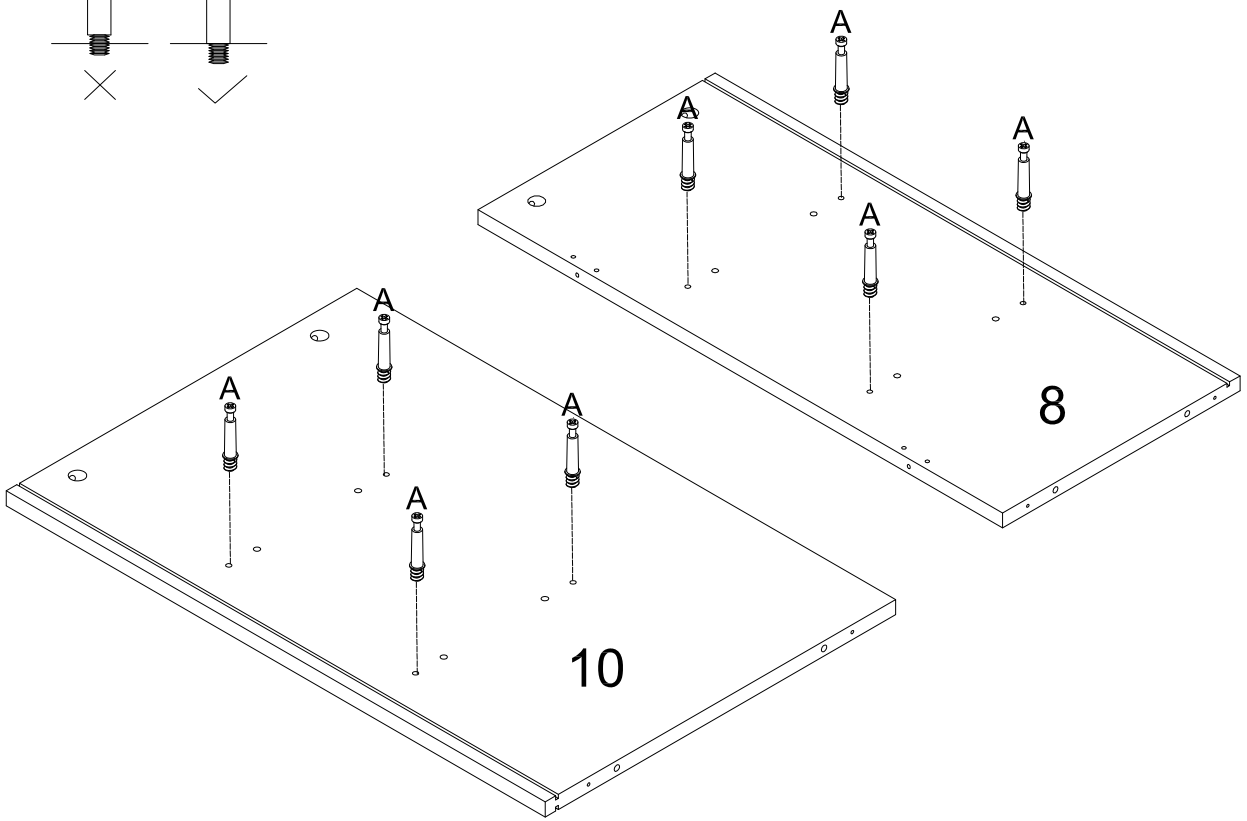
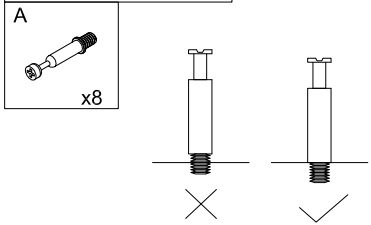
A  x8	P  x6
L  x2	J  x1



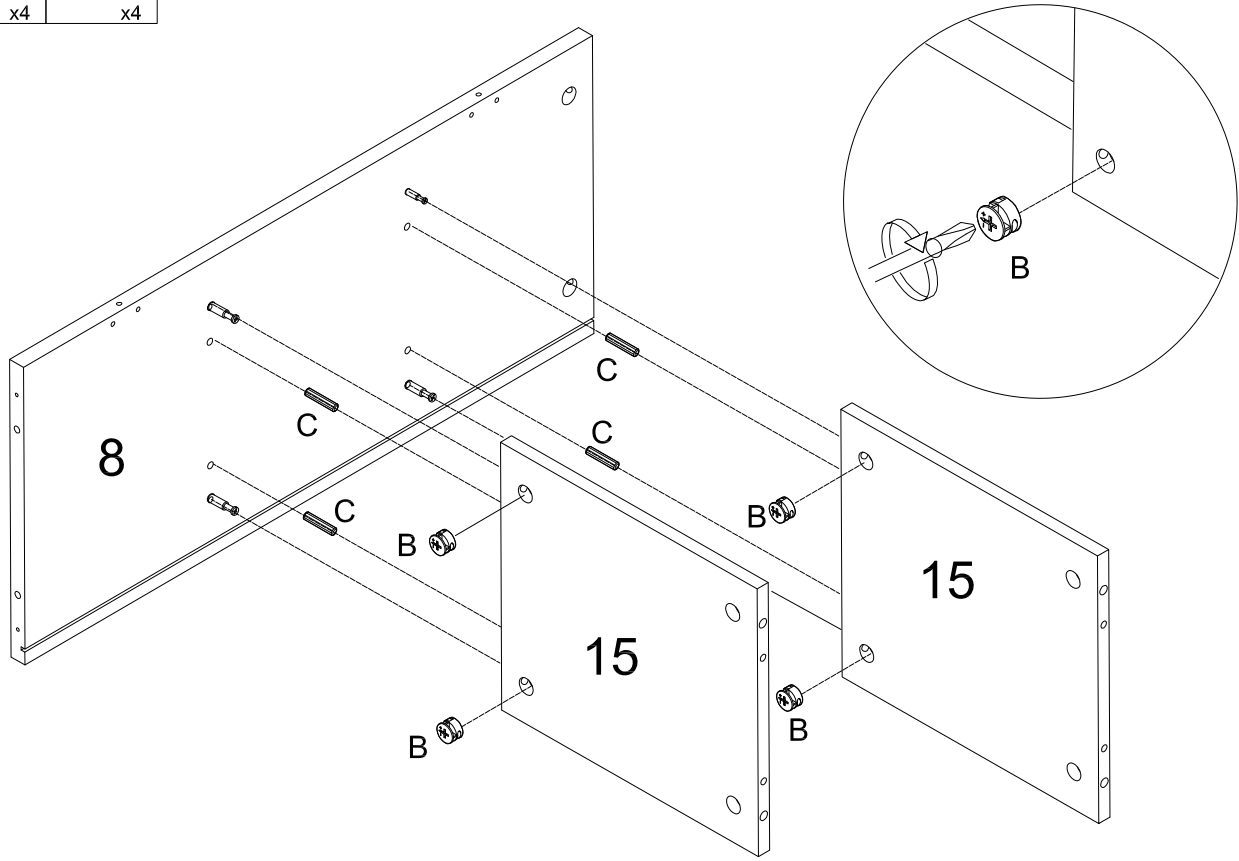
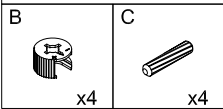
You will need



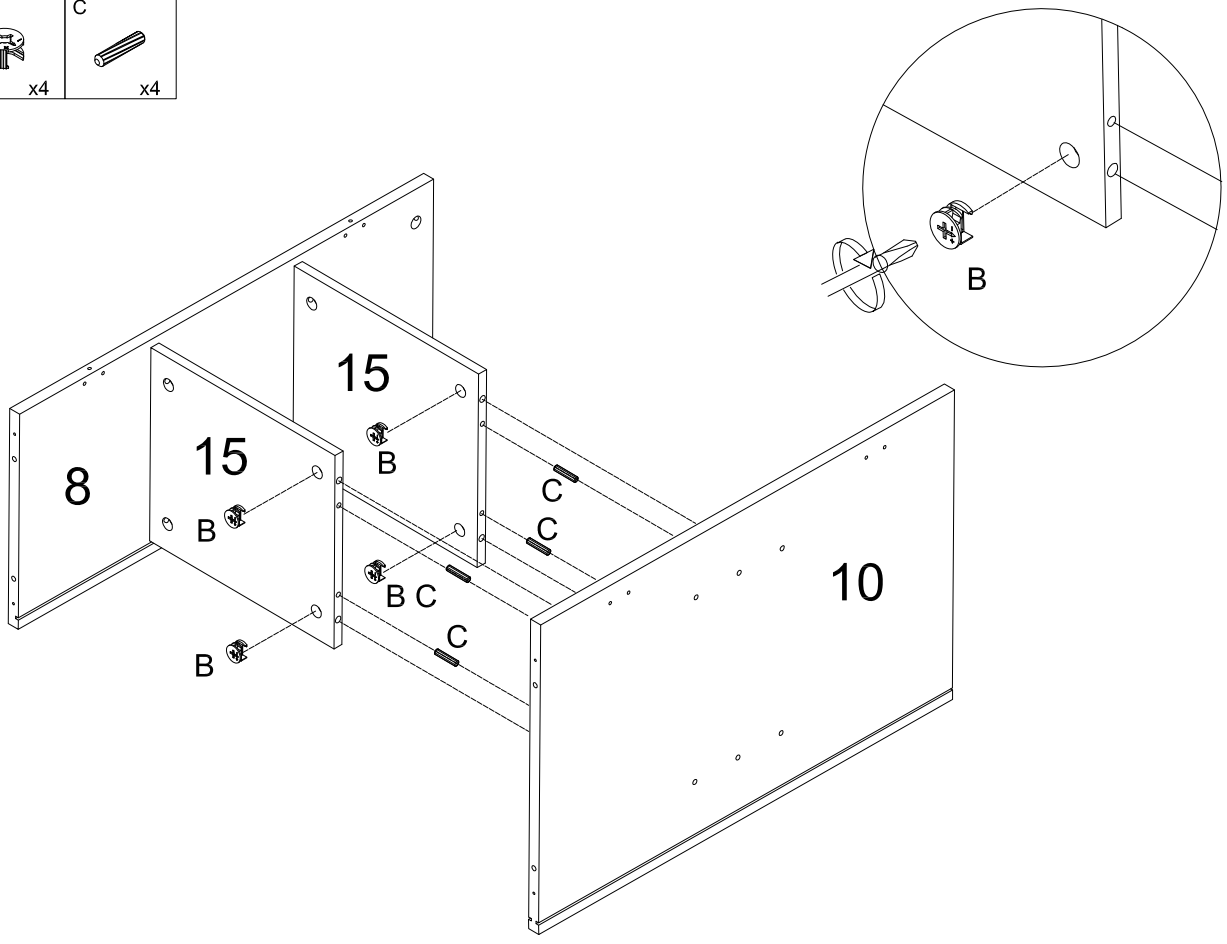
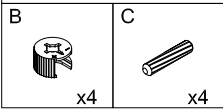
You will need



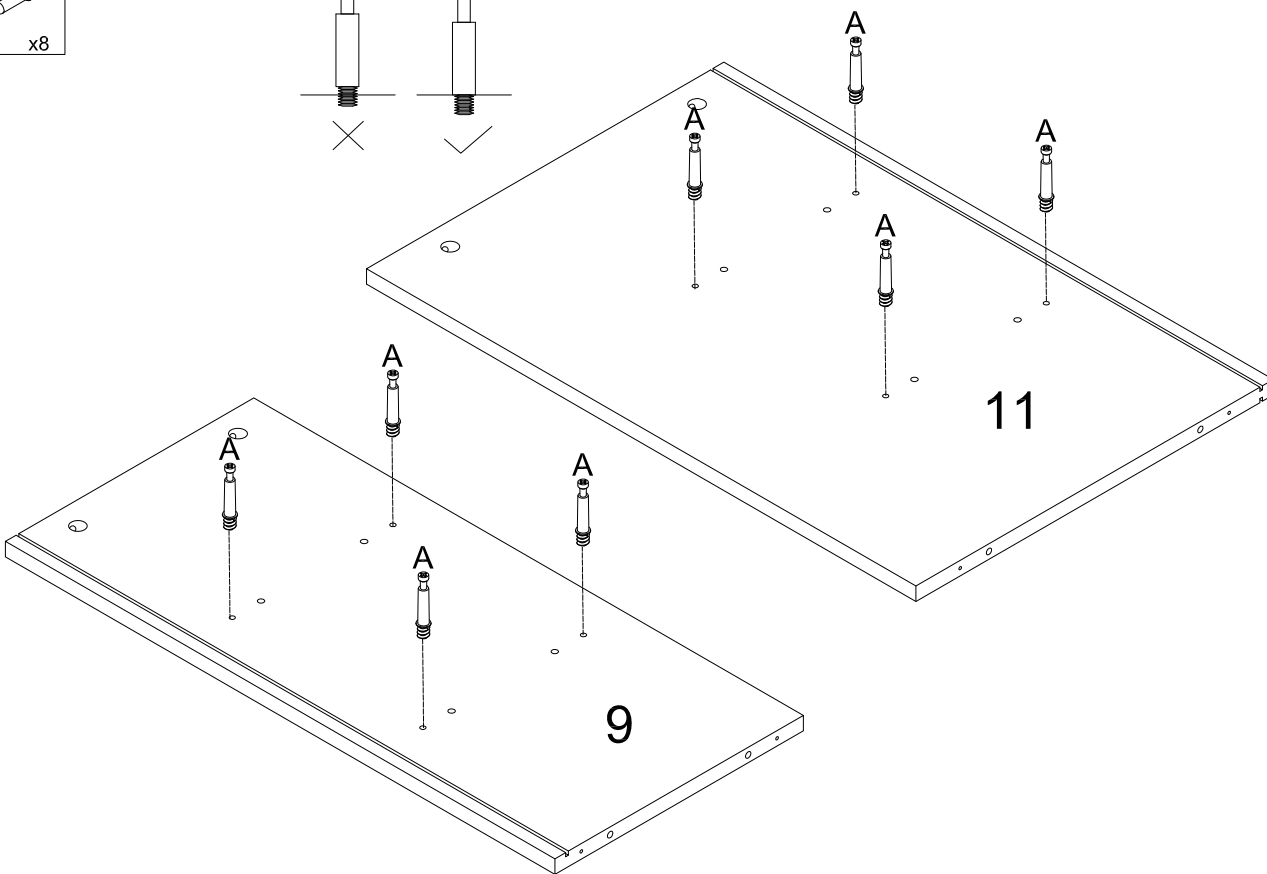
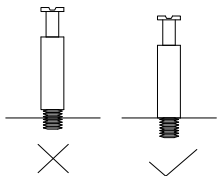
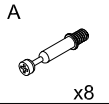
You will need



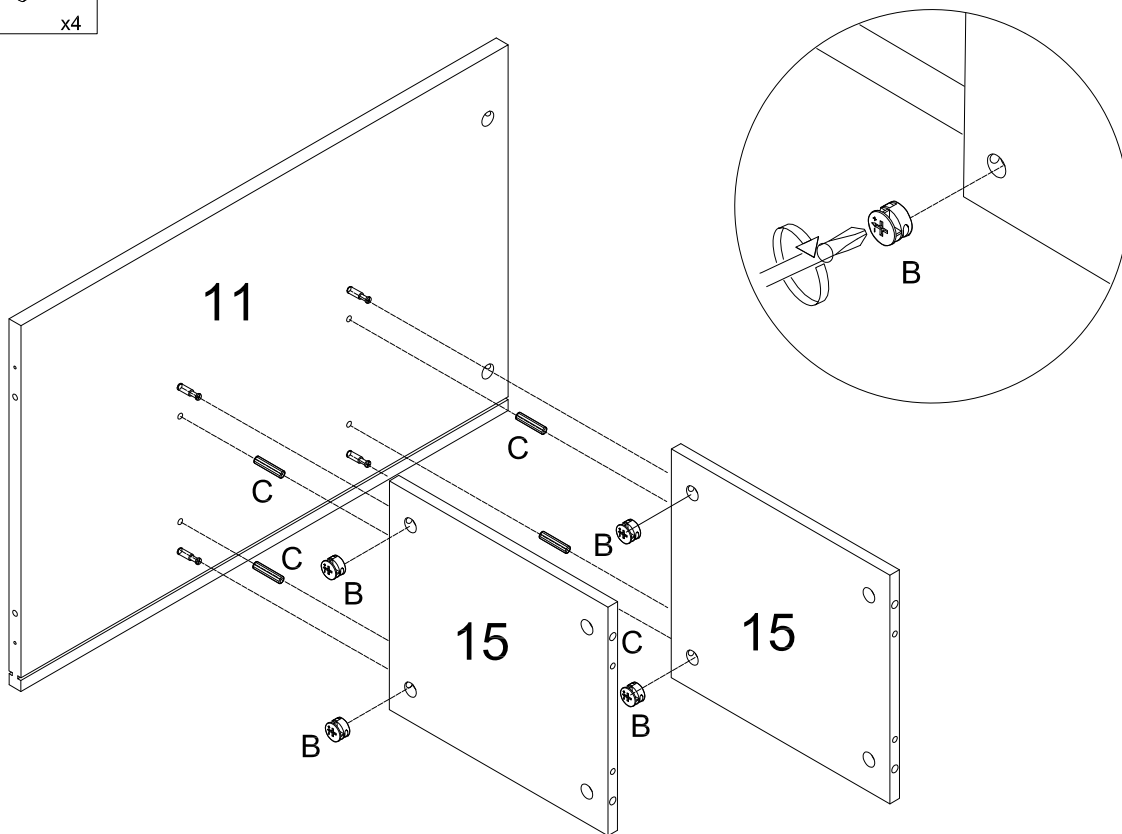
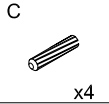
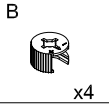
You will need



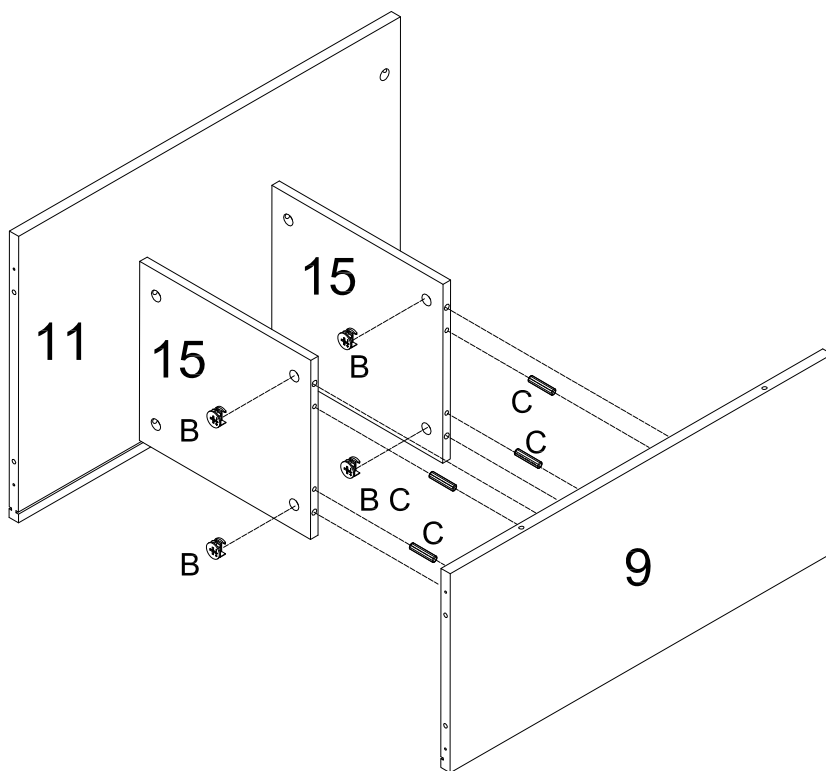
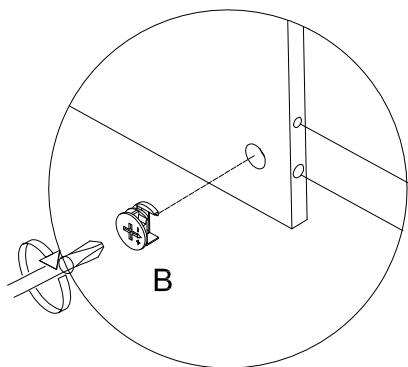
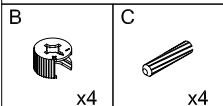
You will need



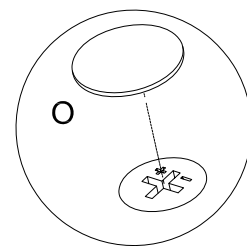
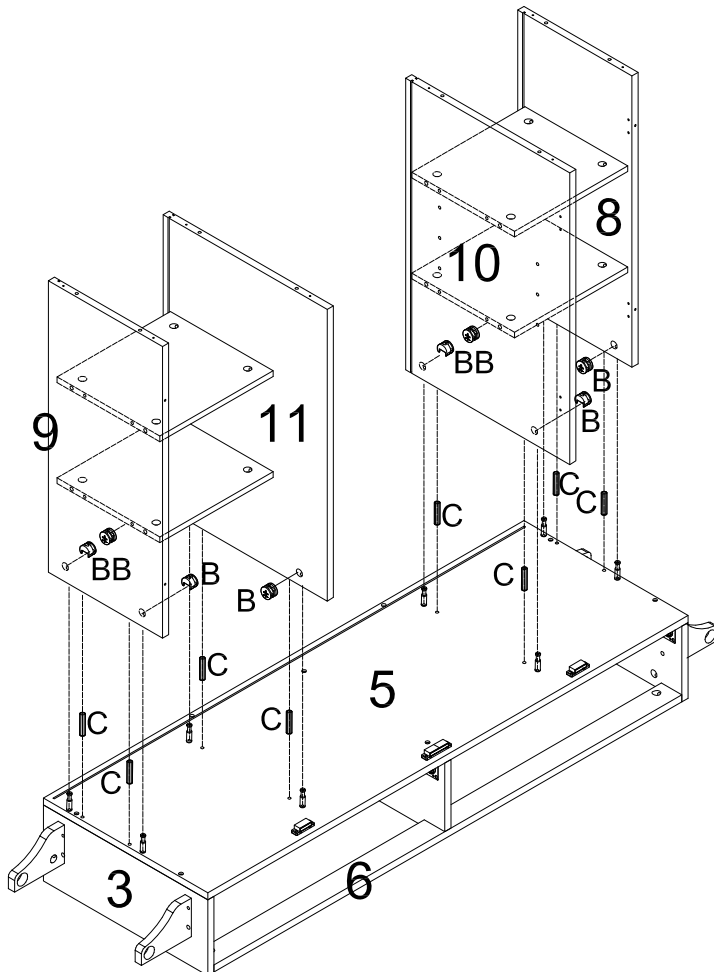
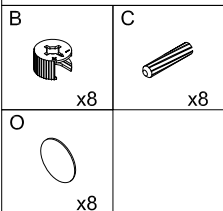
You will need

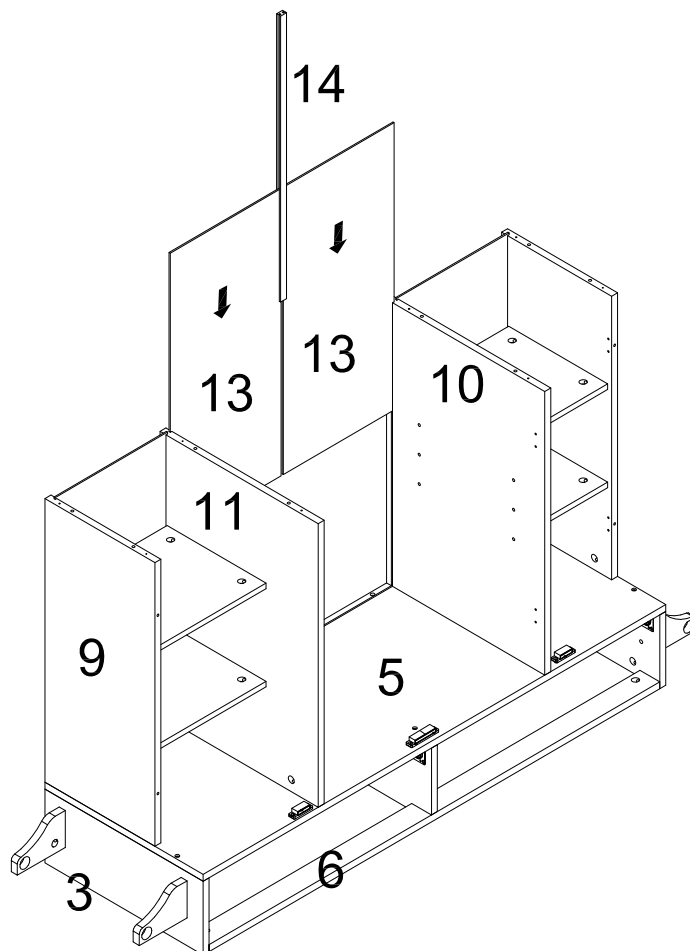
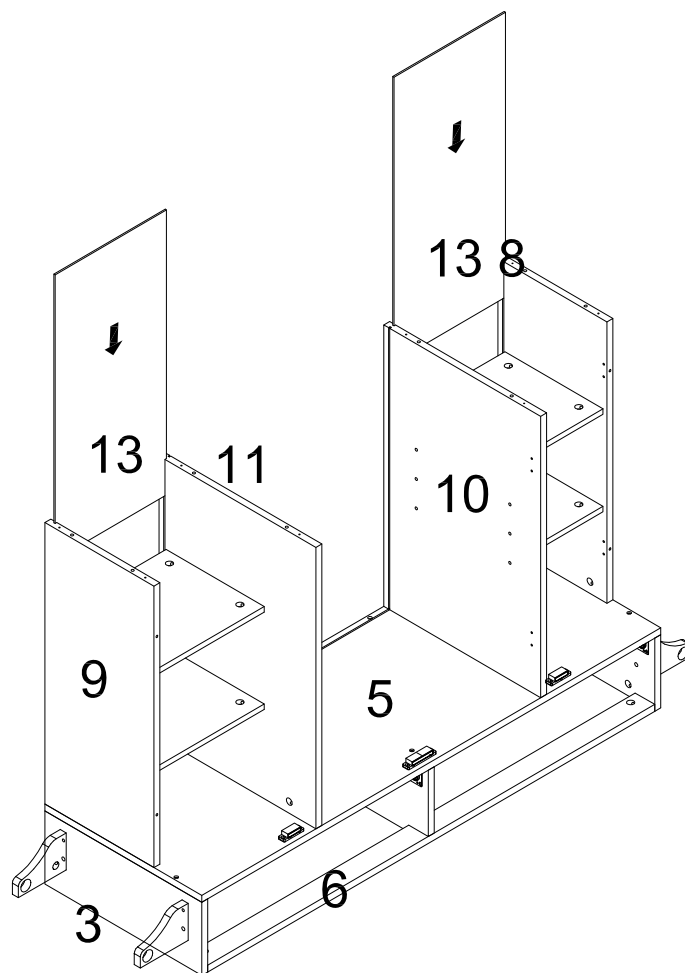


You will need

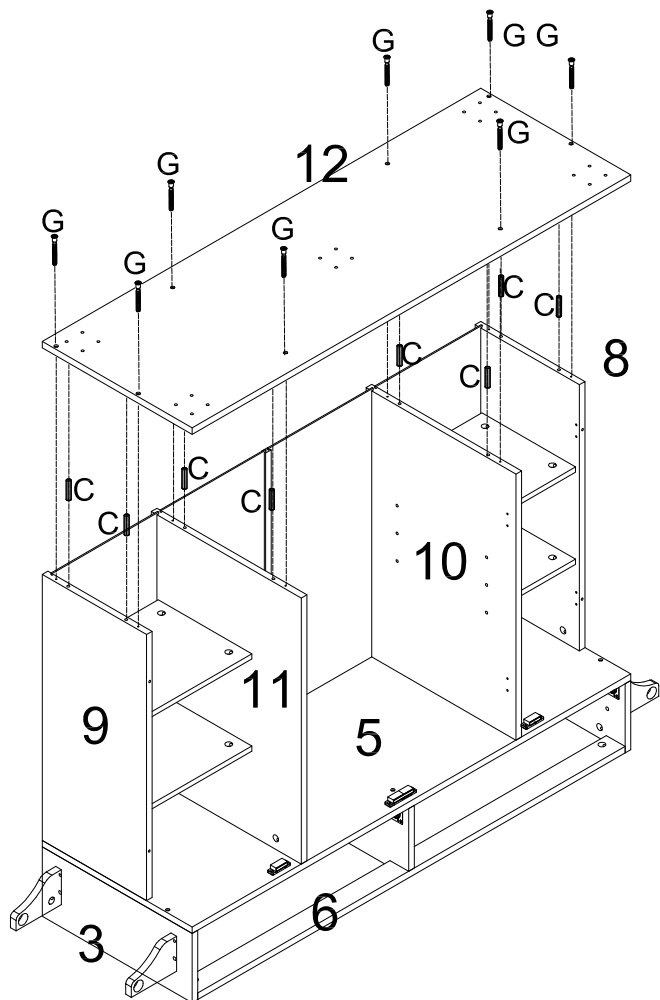
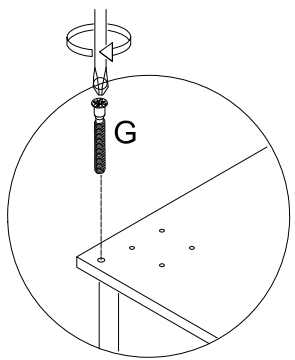
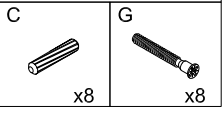


You will need

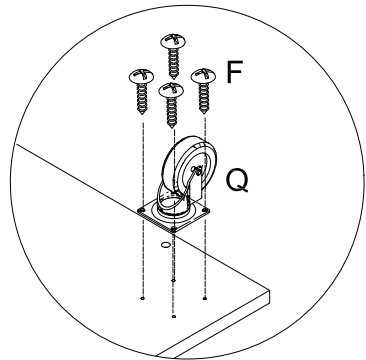
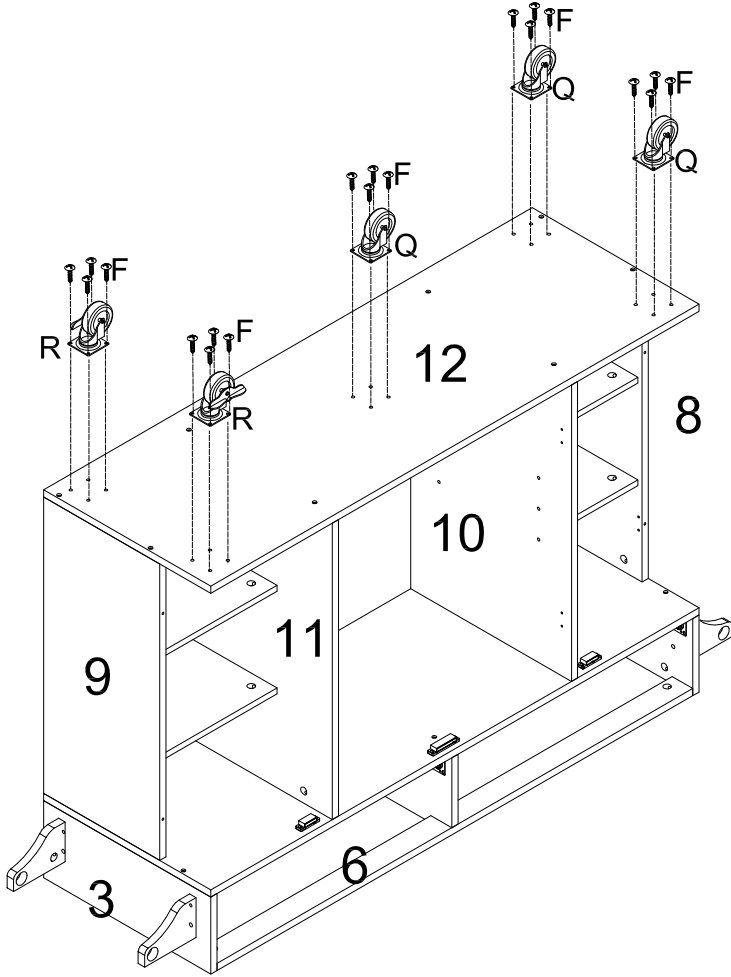
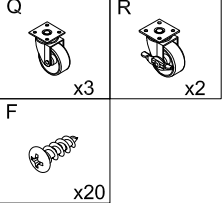


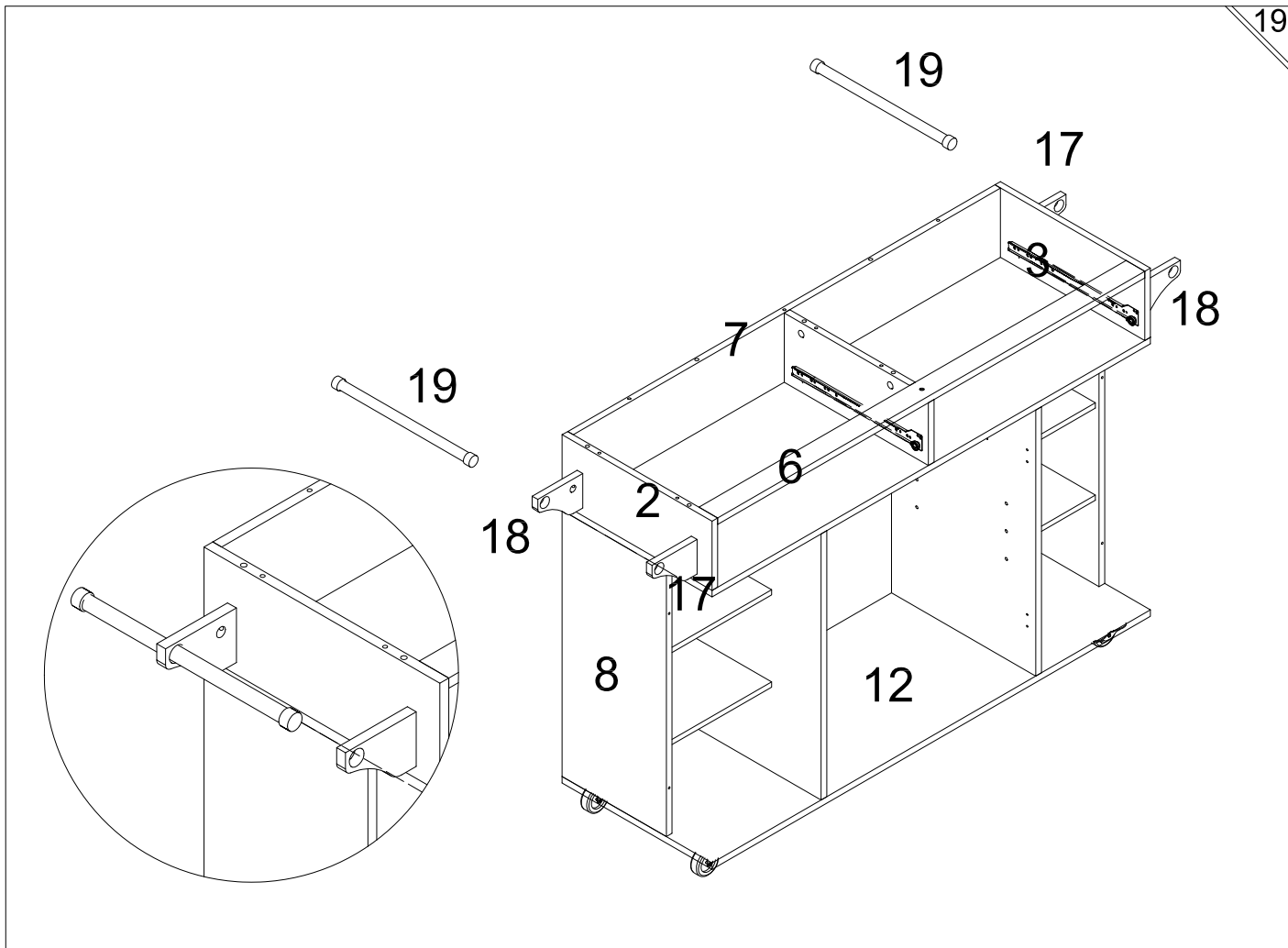


You will need

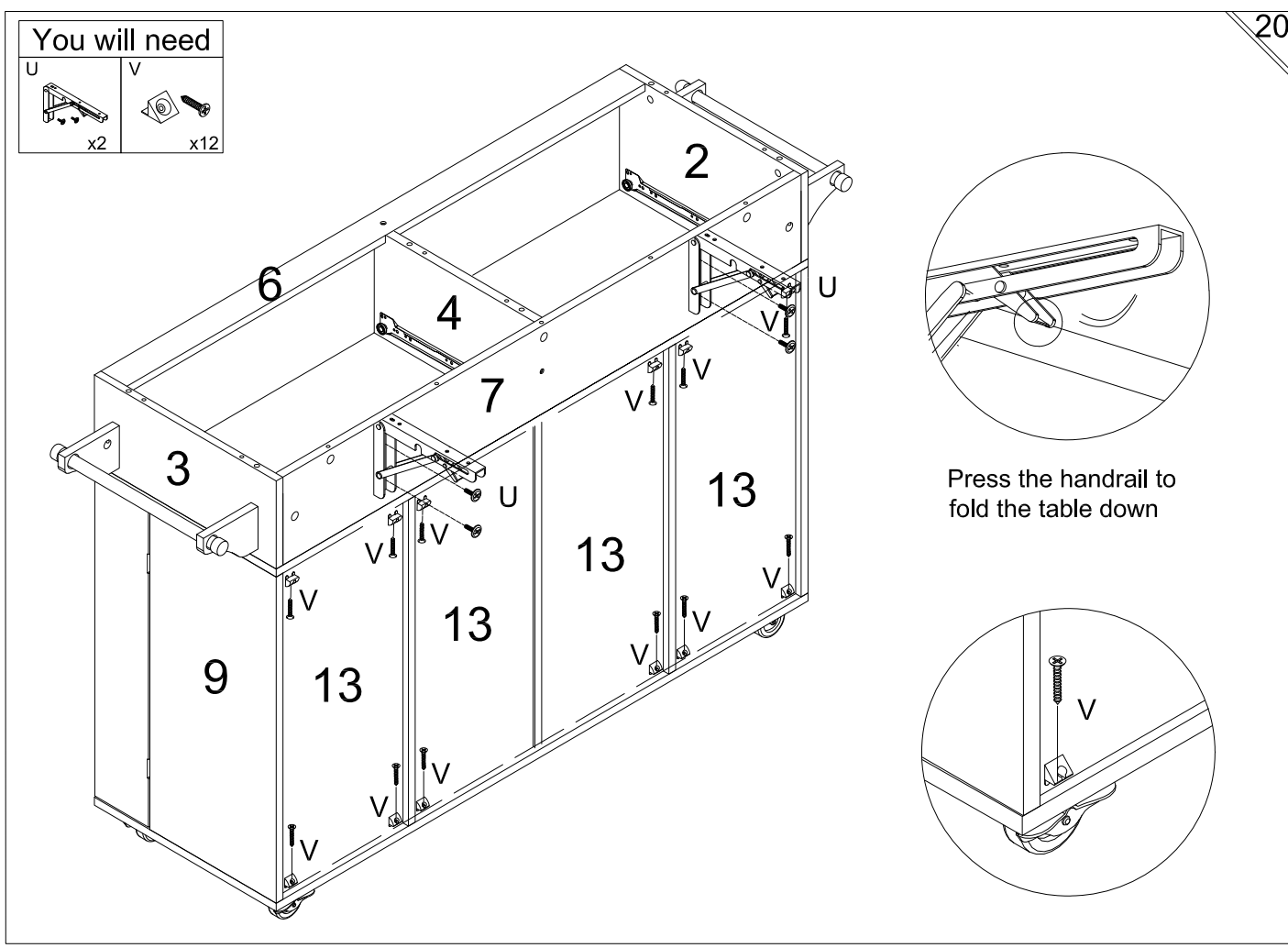
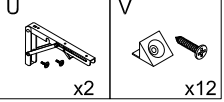


You will need





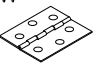


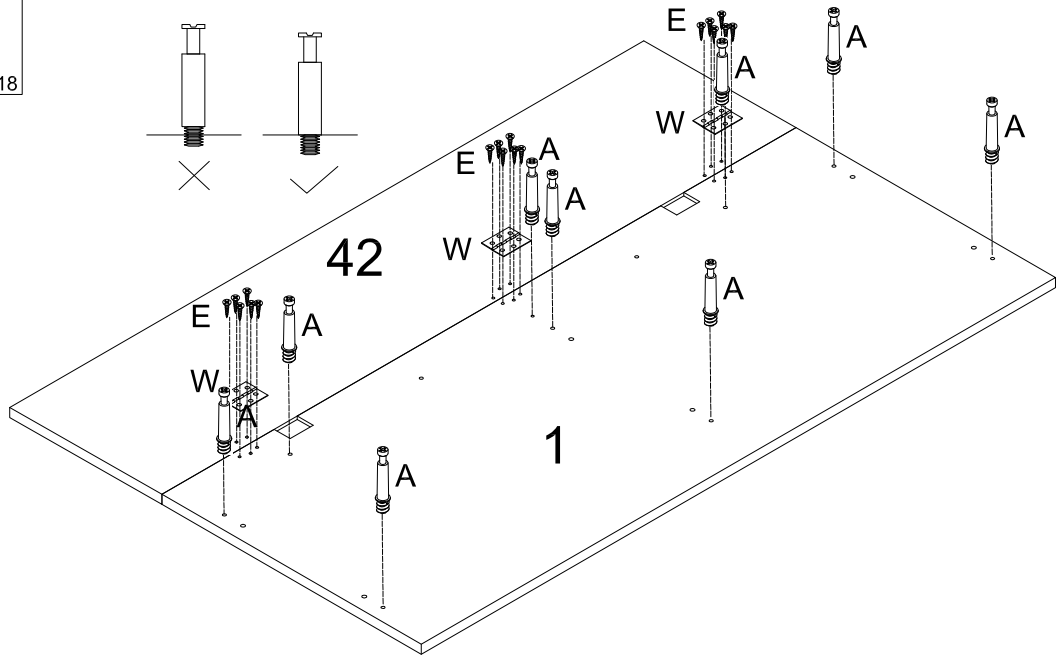
You will need






Press the handrail to fold the table down

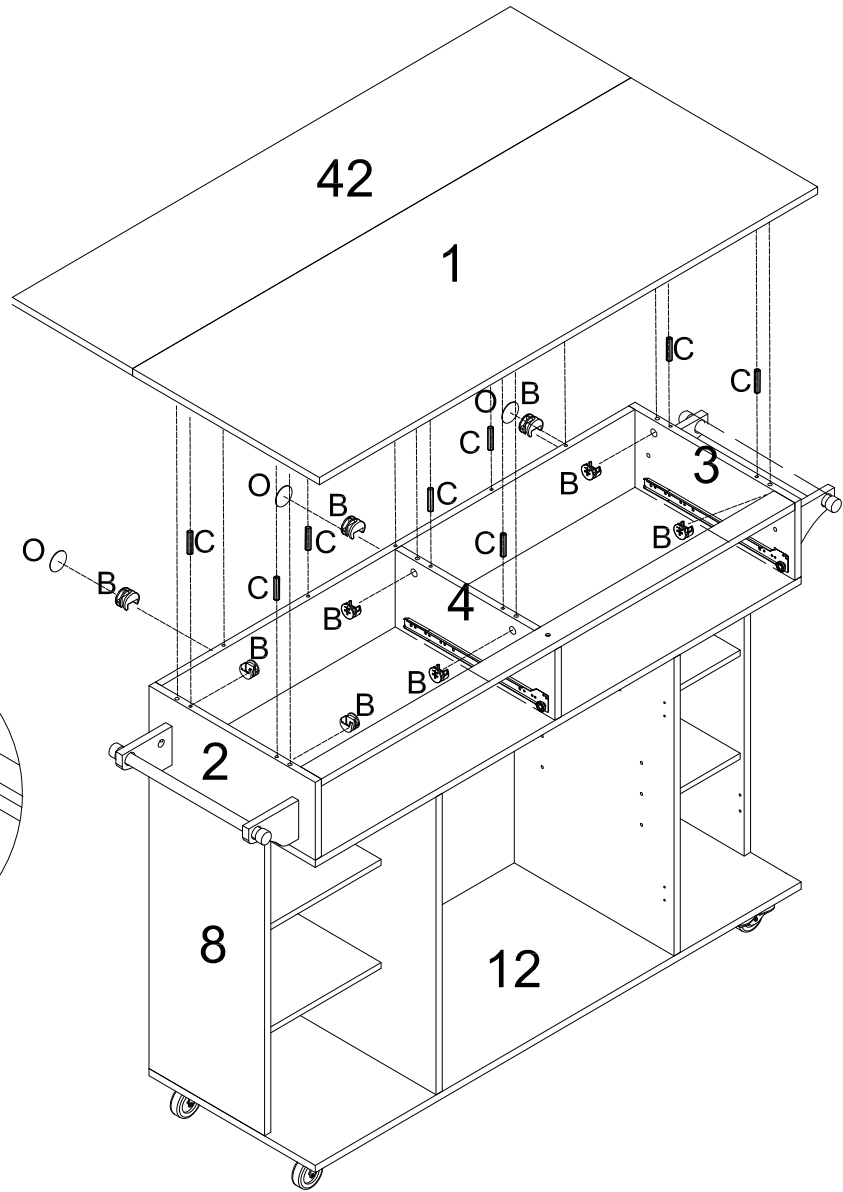
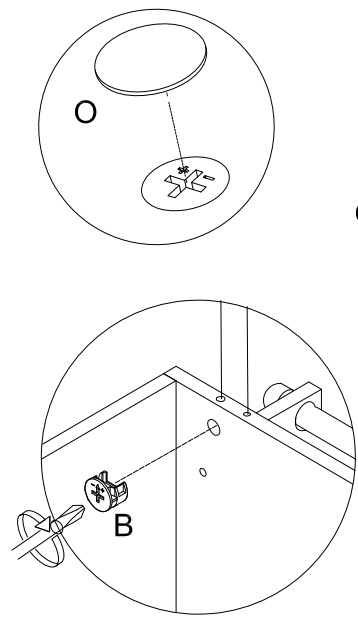
You will need

- | | |
|--|---|
| A

x9 | E

x18 |
| W

x3 | |

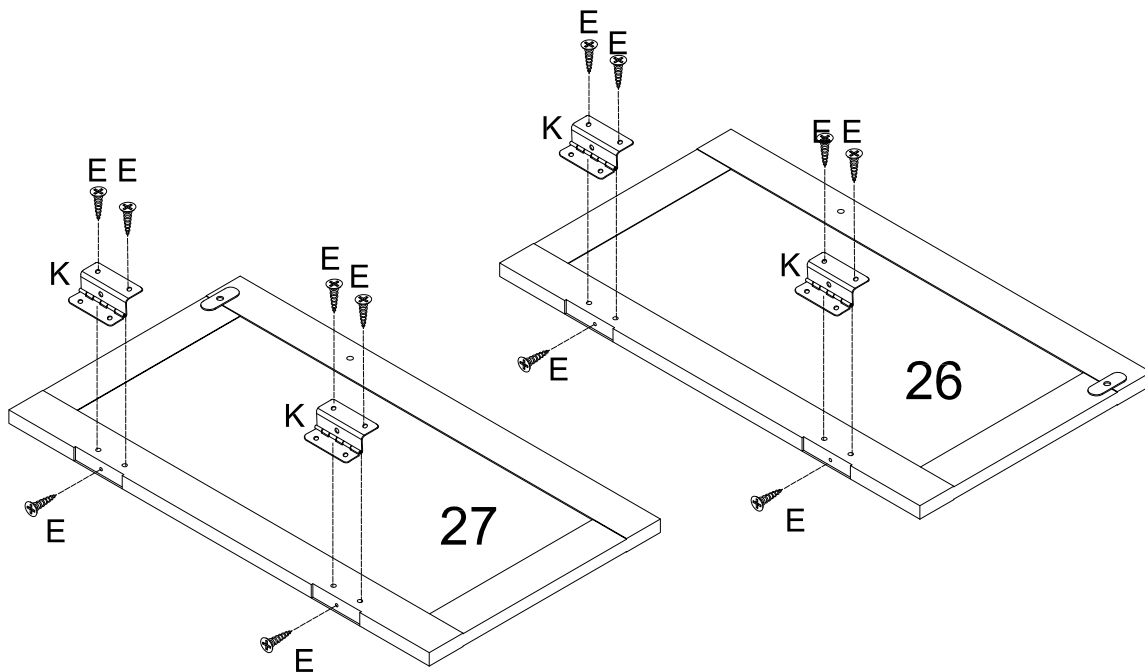
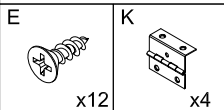


You will need

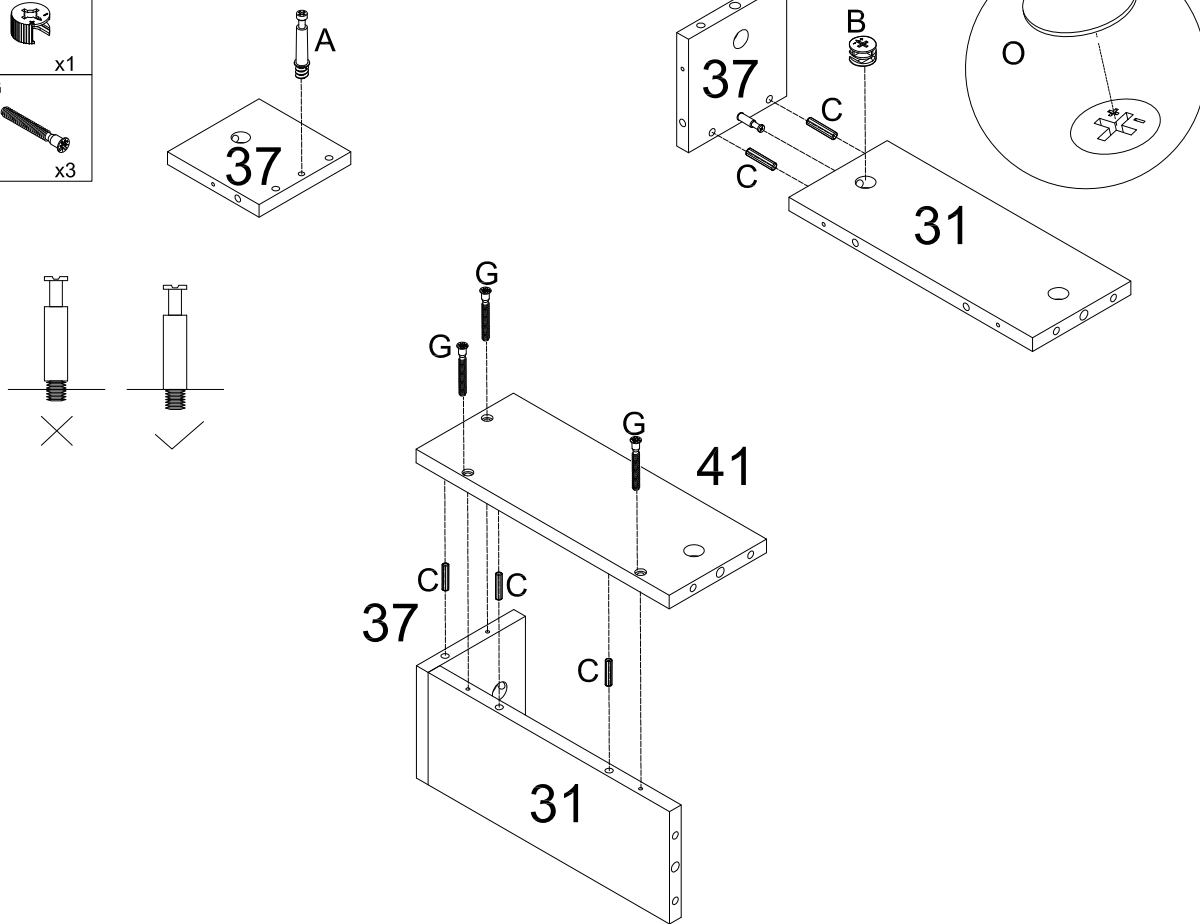
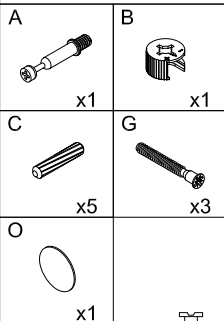
- | | |
|--|--|
| B

x9 | C

x8 |
| O

x3 | |








You will need

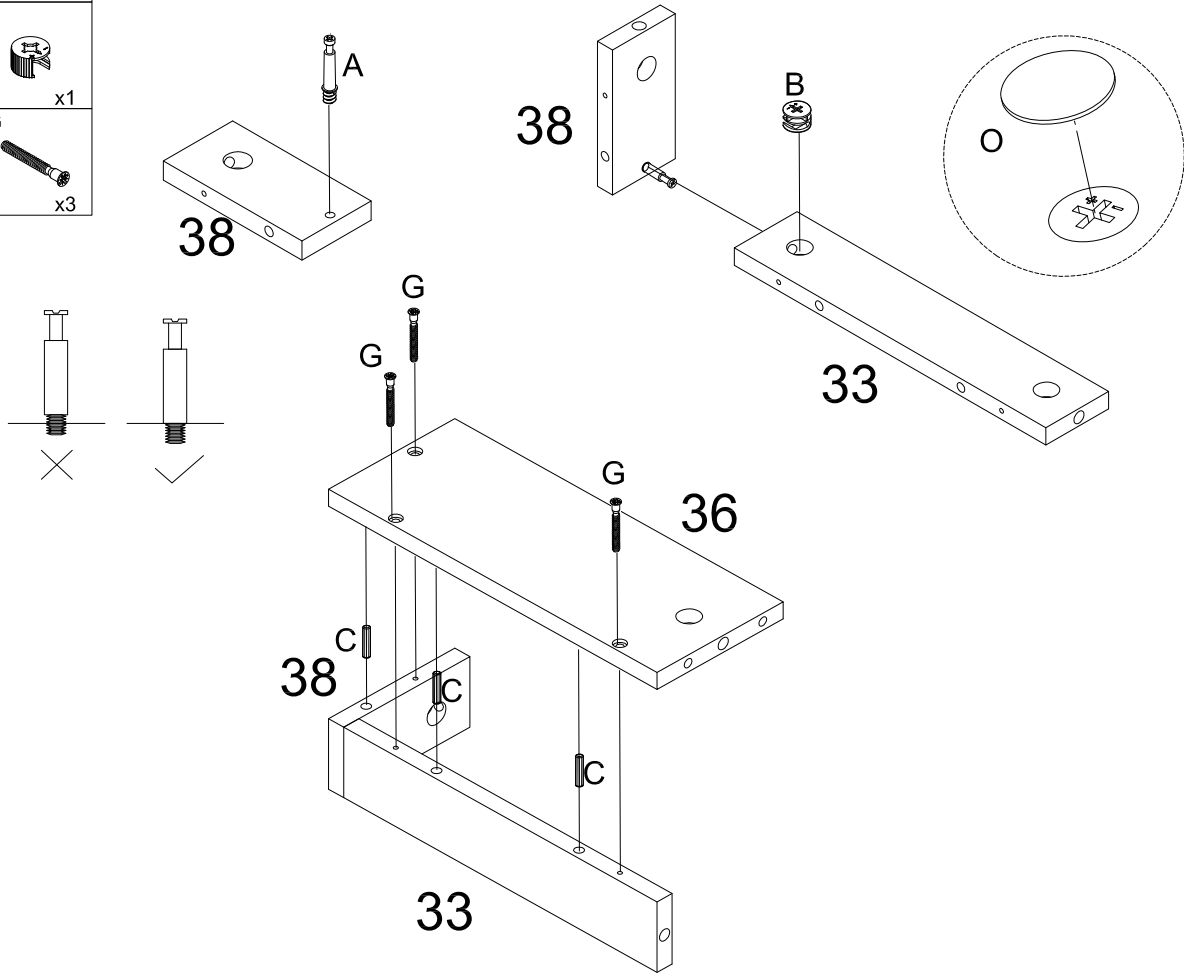


You will need




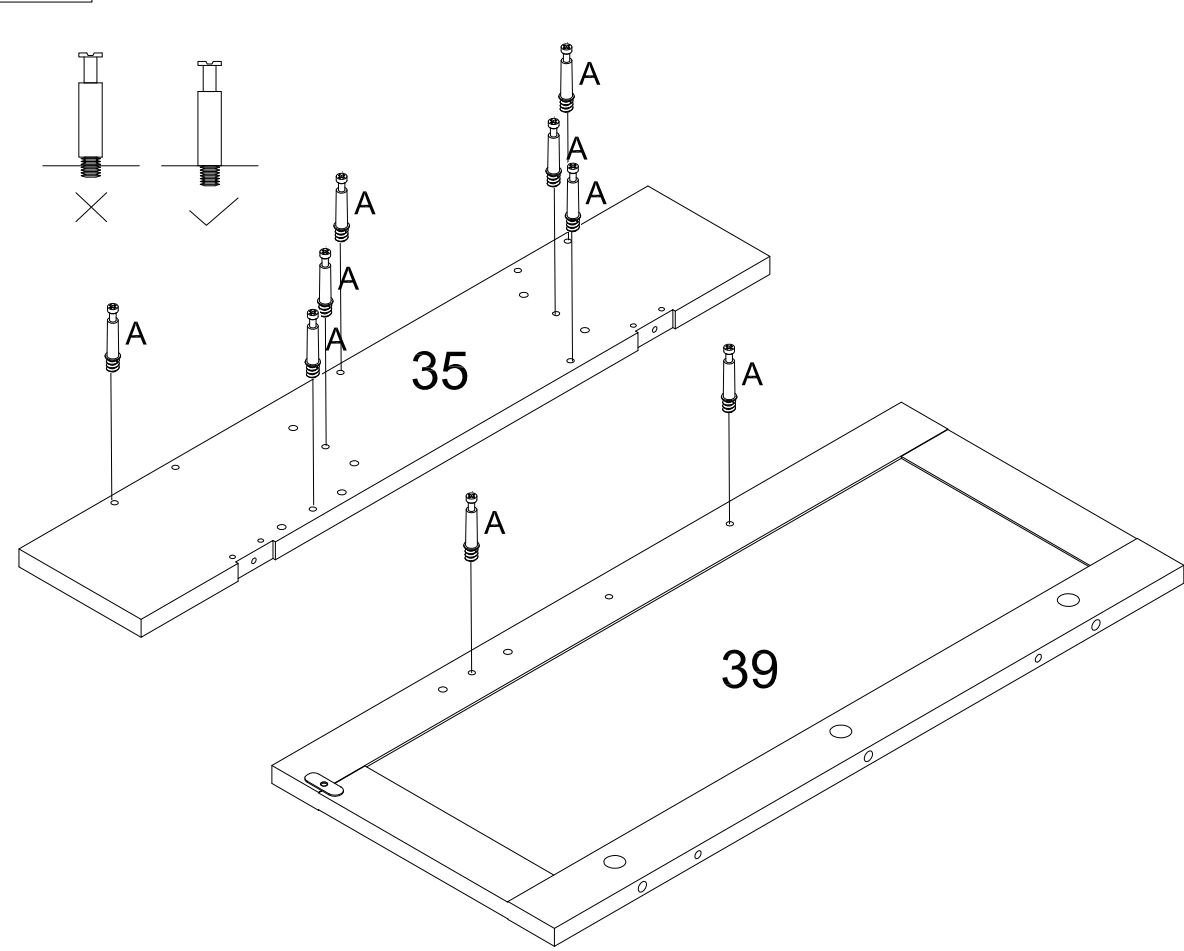
You will need

- | | |
|--|--|
| A

x1 | B

x1 |
| C

x3 | G

x3 |
| O

x1 | |






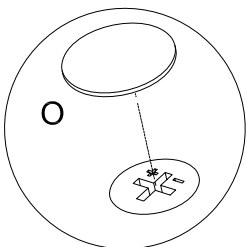
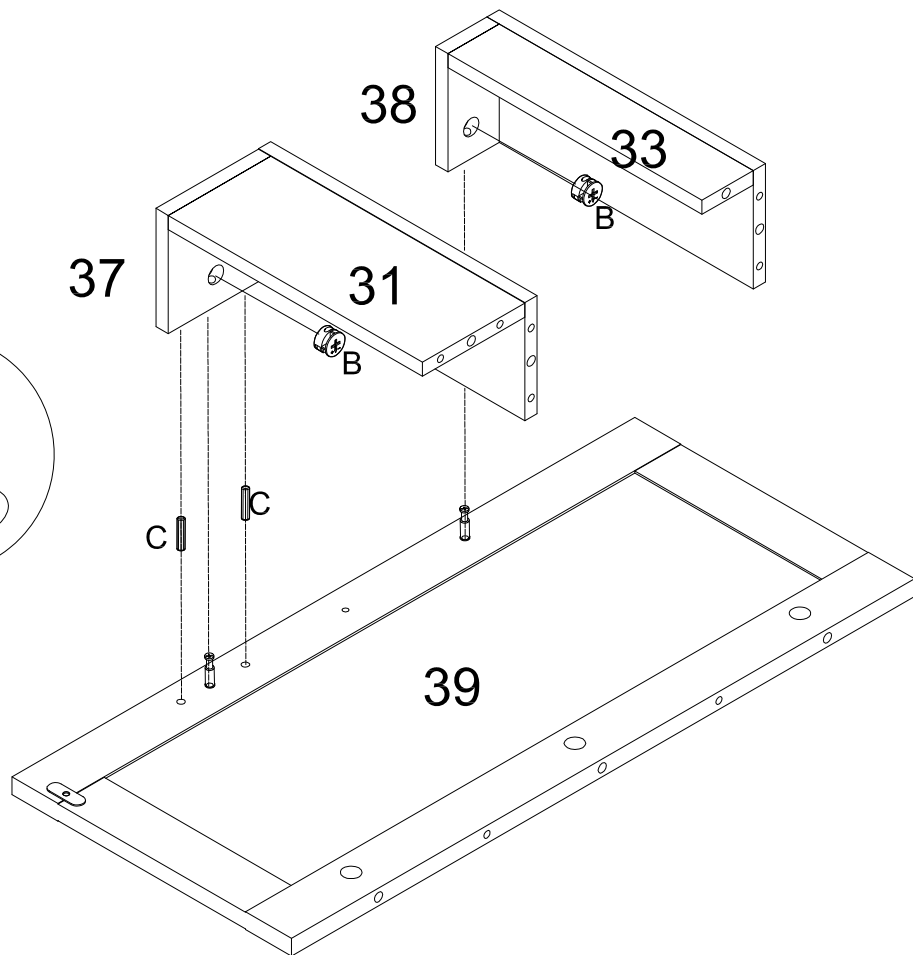
You will need

- | |
|--|
| A

x9 |
|--|







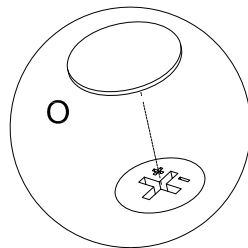
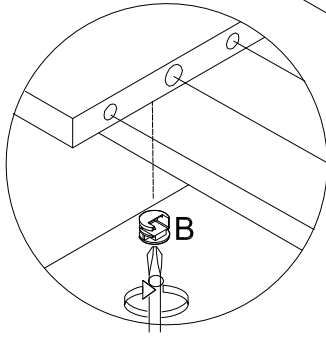
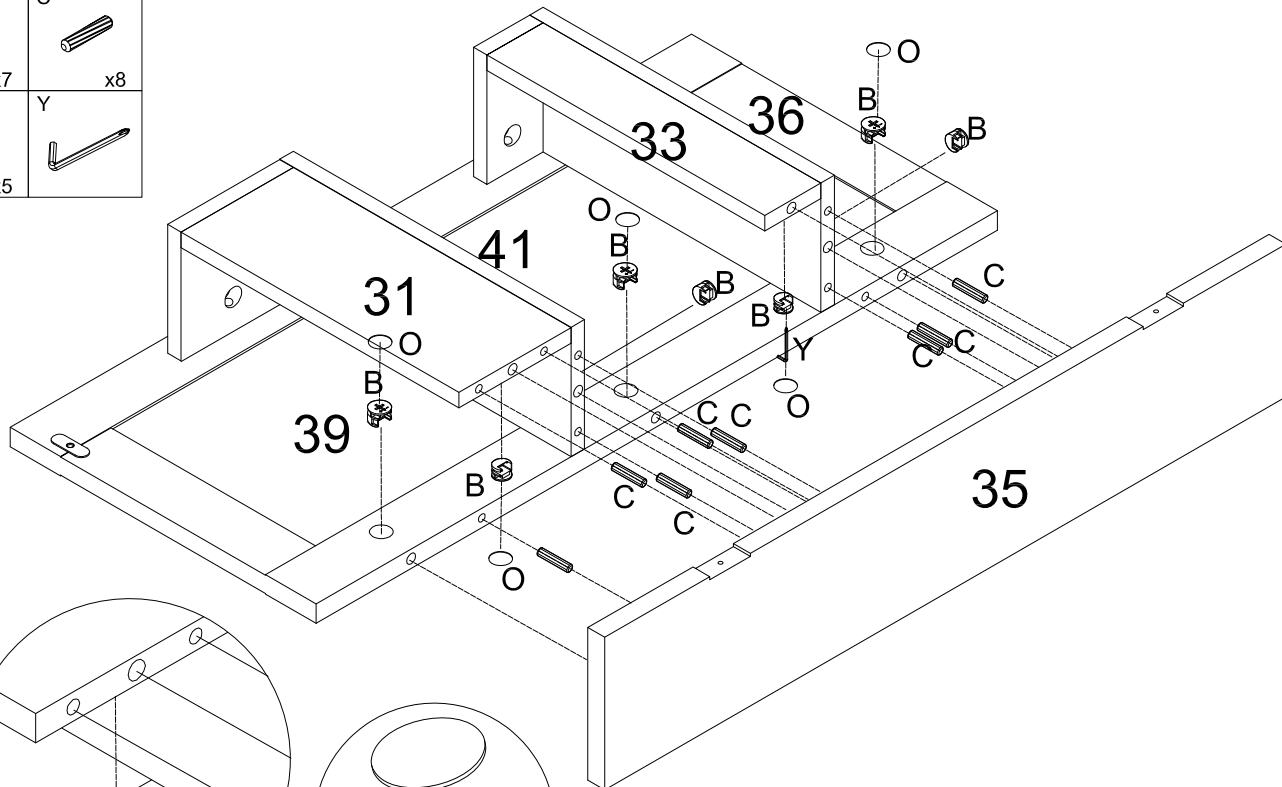
You will need

B	C
	
x2	x2
O	
	
x2	



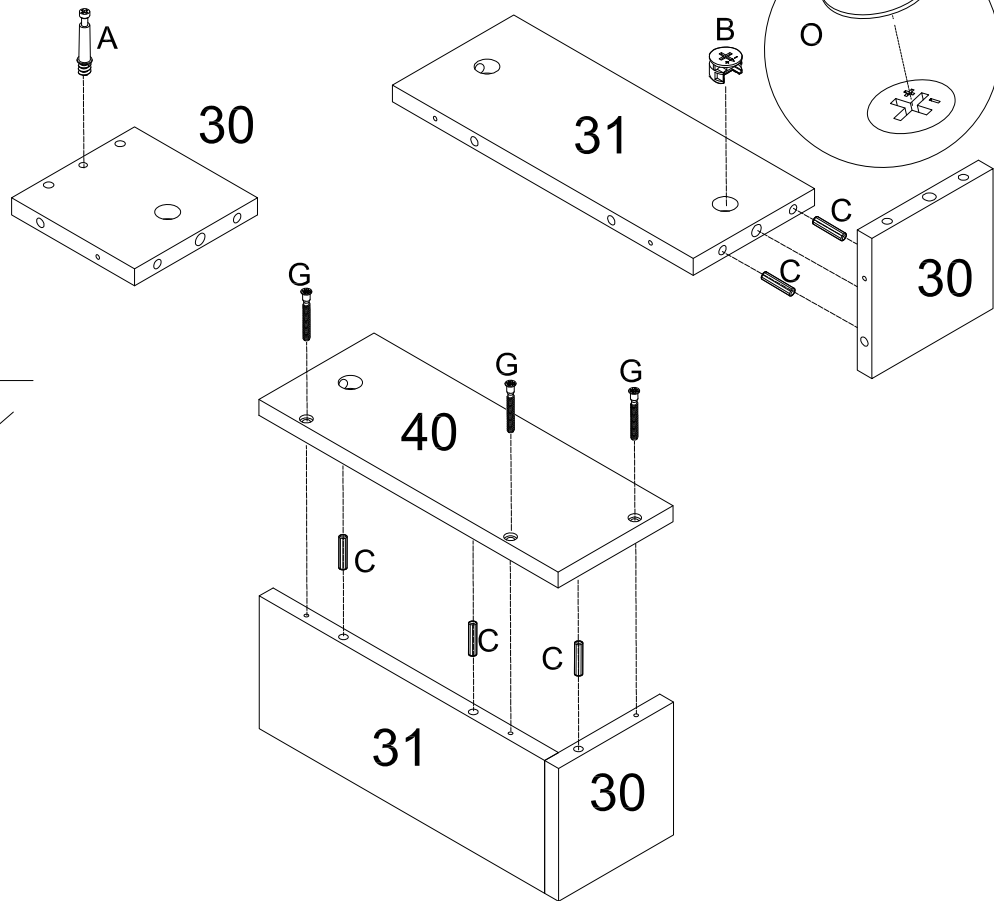
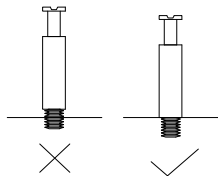
You will need

B	C
	
x7	x8
O	Y
	
x5	



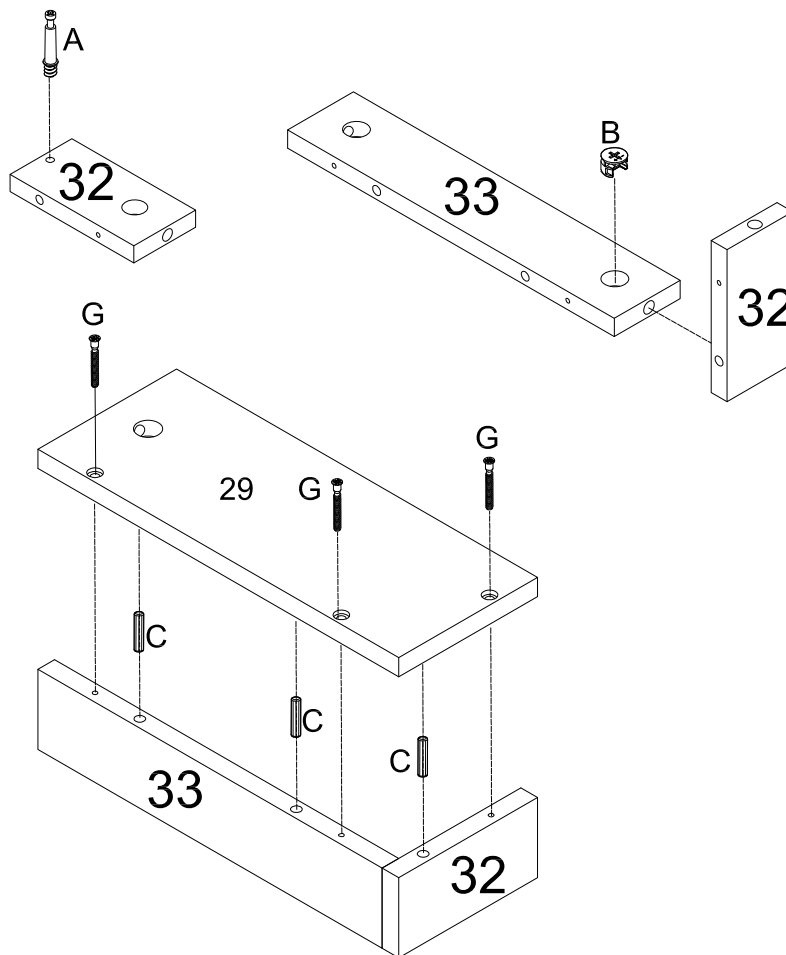
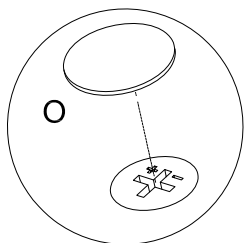
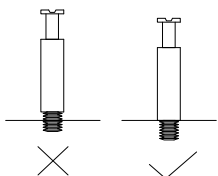
You will need

A x1	B x1
C x5	G x3
O x1	

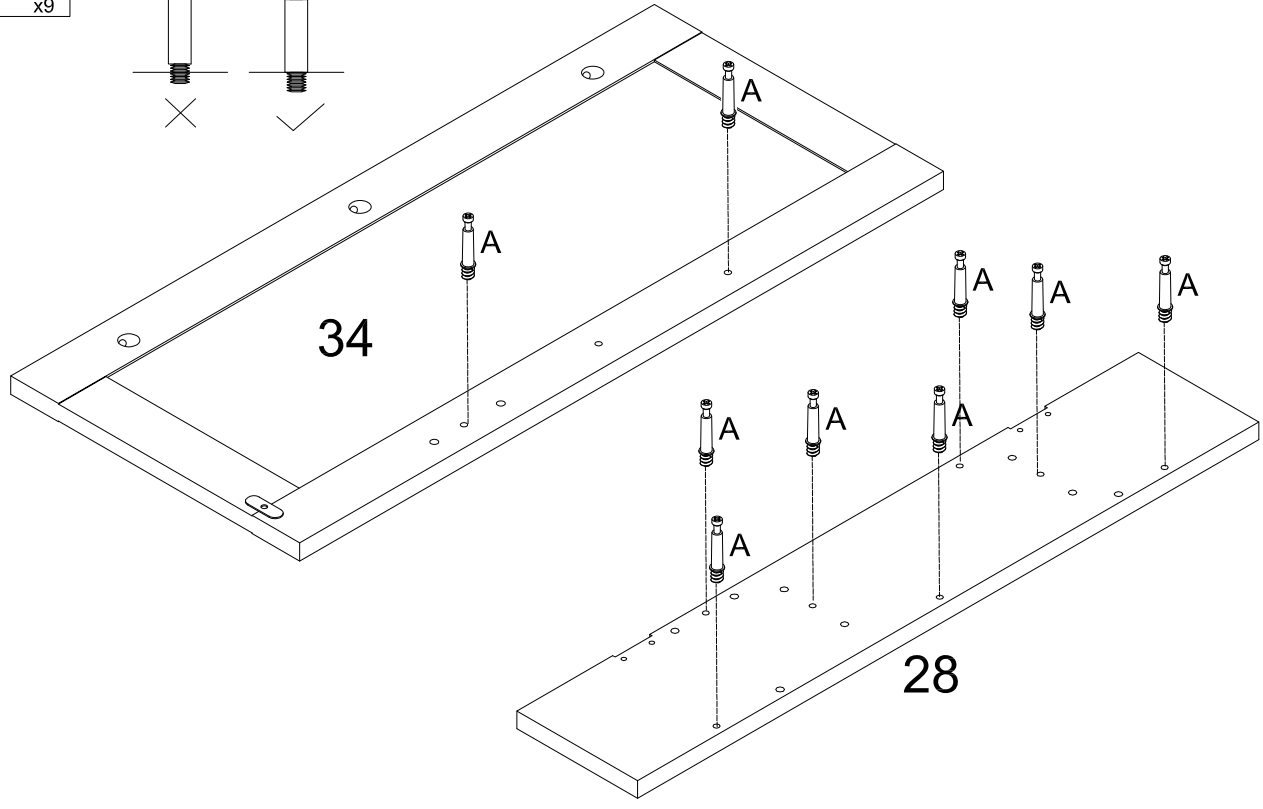
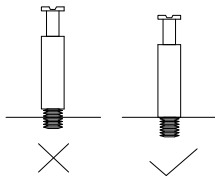
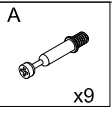


You will need

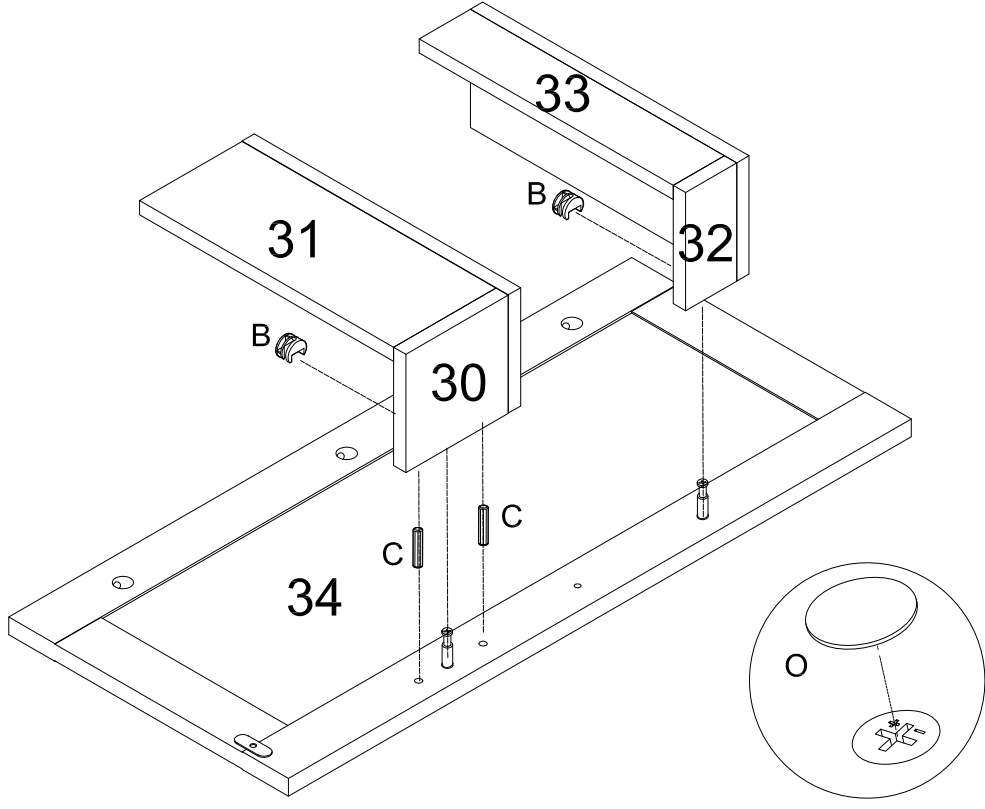
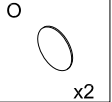
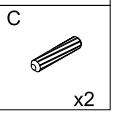
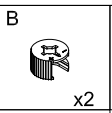
A x1	B x1
C x3	G x3
O x1	






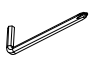
You will need

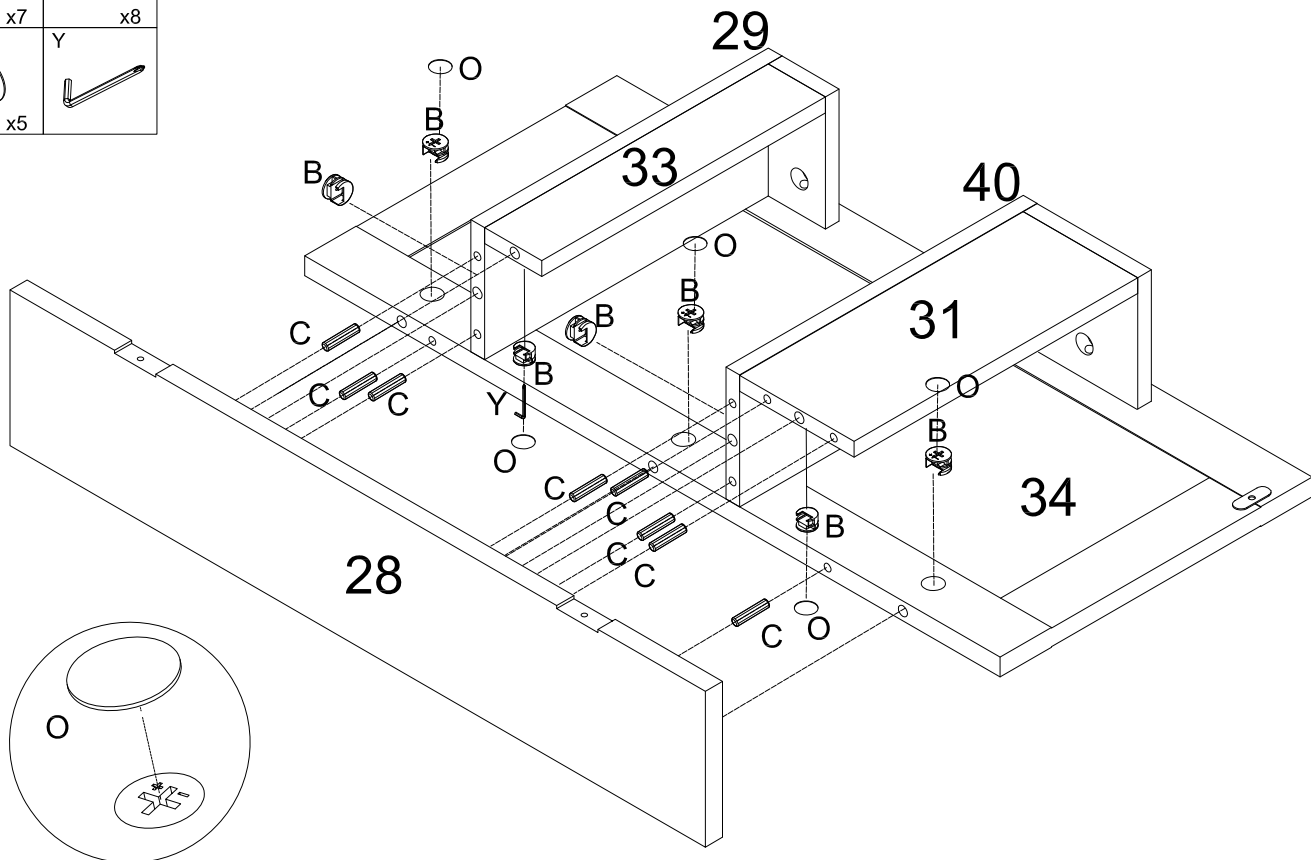


You will need


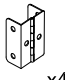


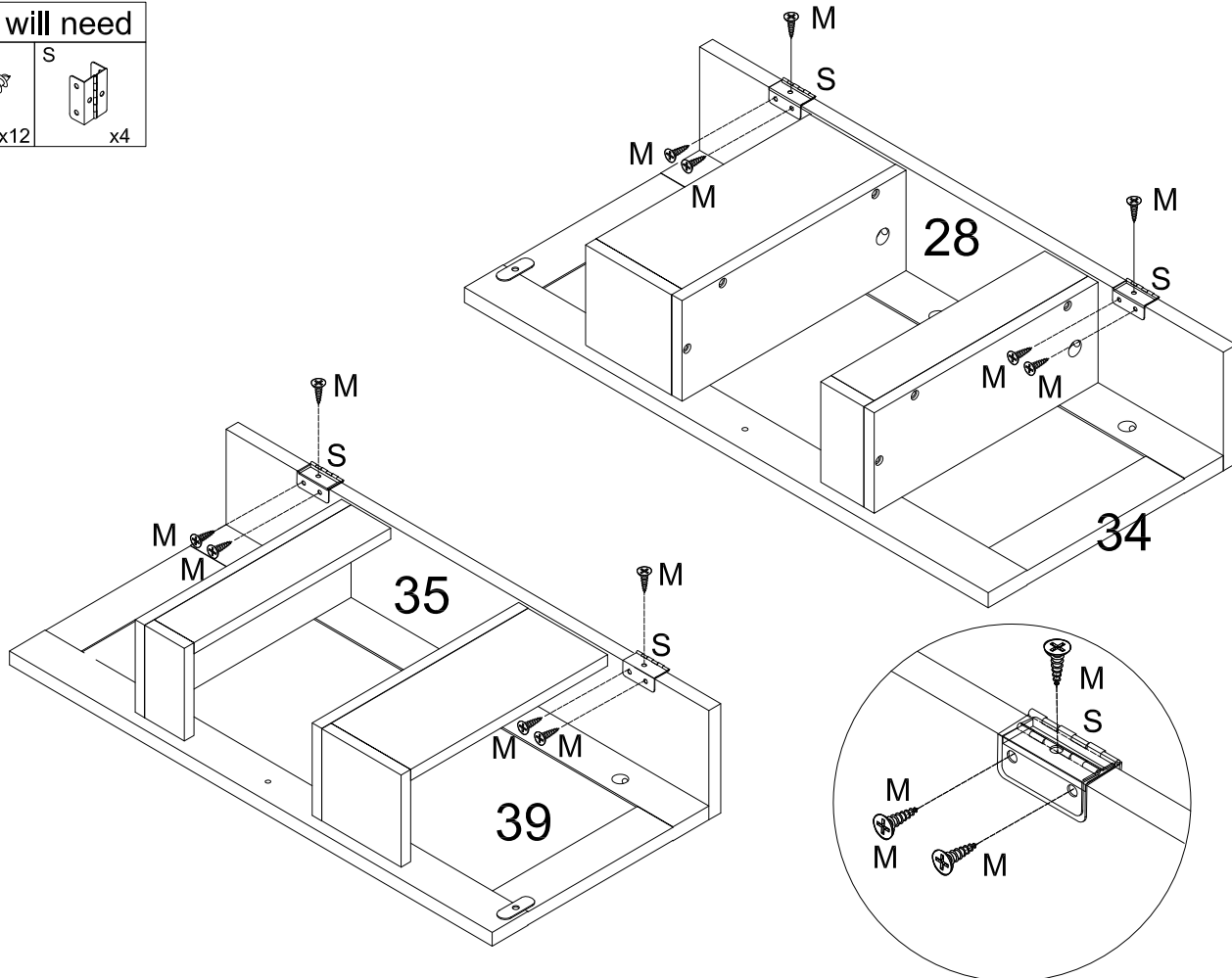
You will need

B	C
	
x7	x8
O	Y
	
x5	

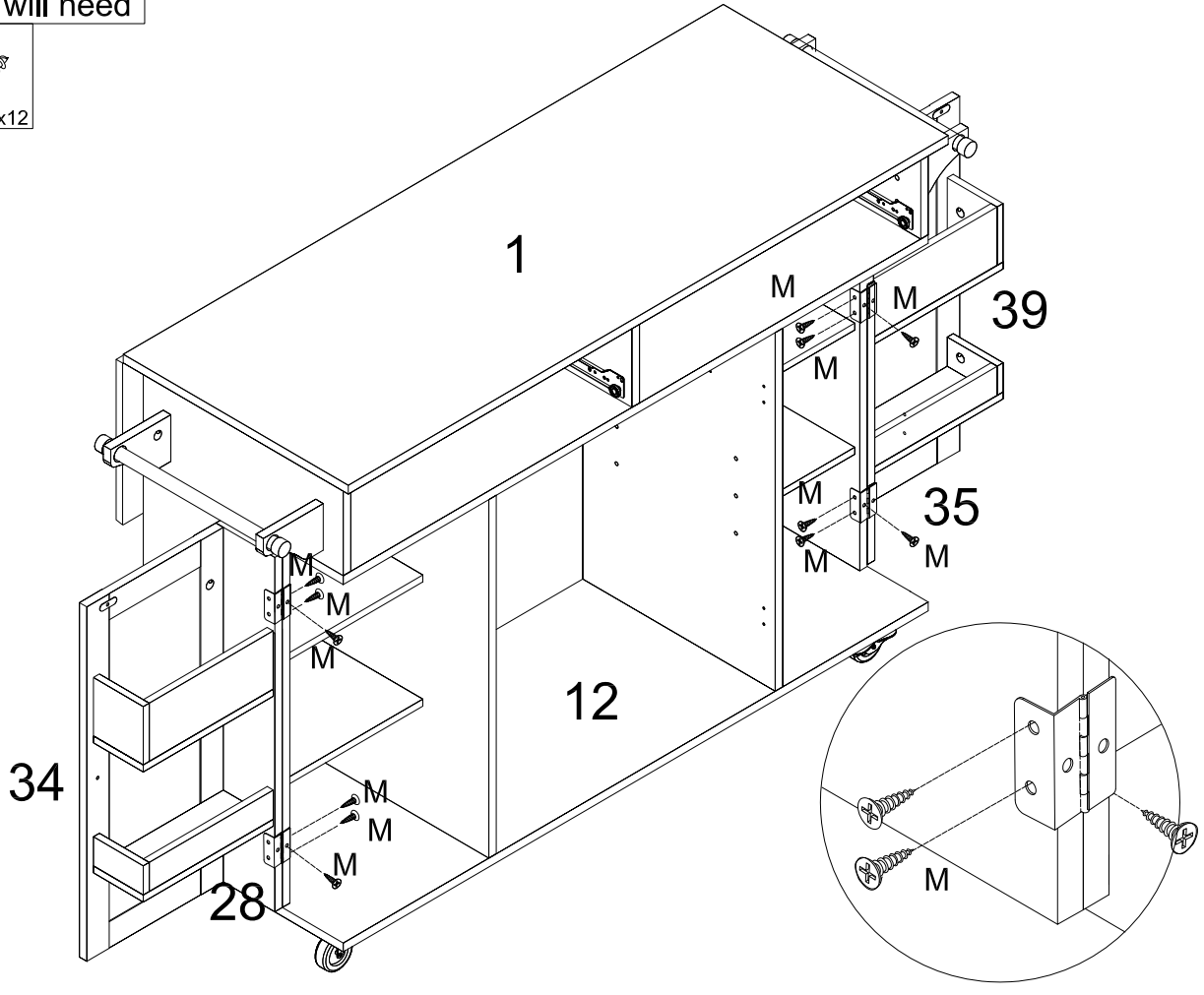
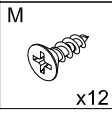


You will need

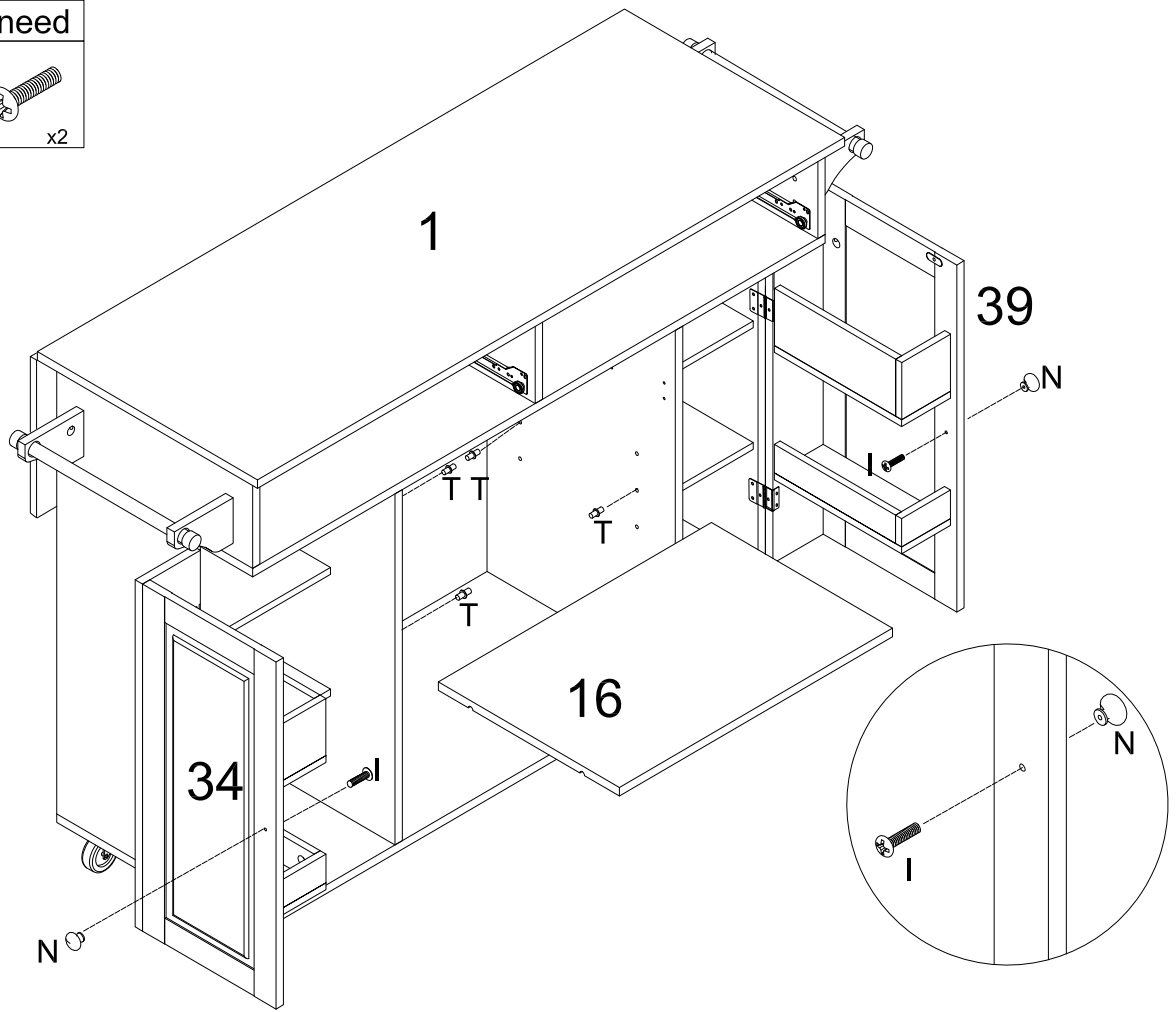
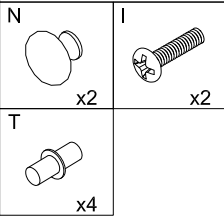
M	S
	
x12	x4





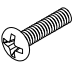
You will need

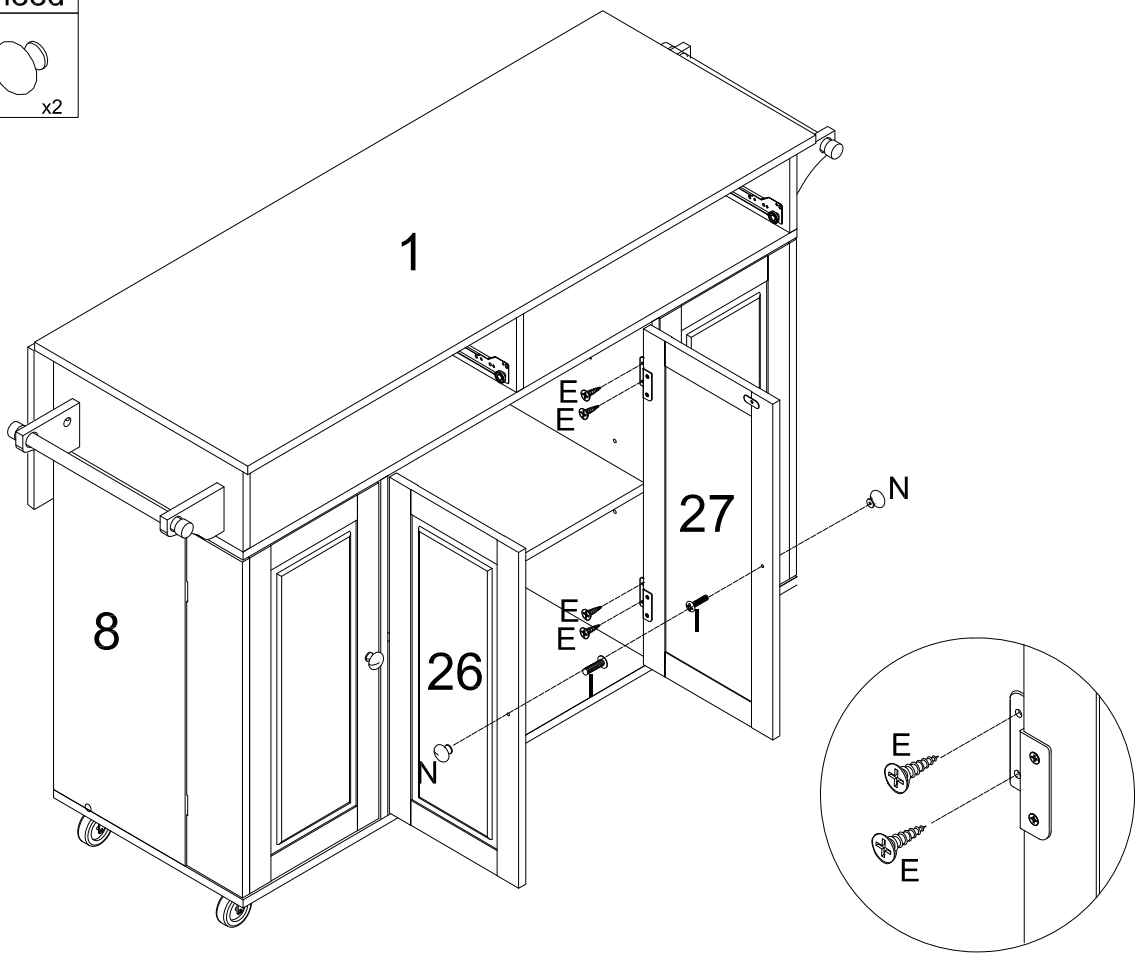


You will need





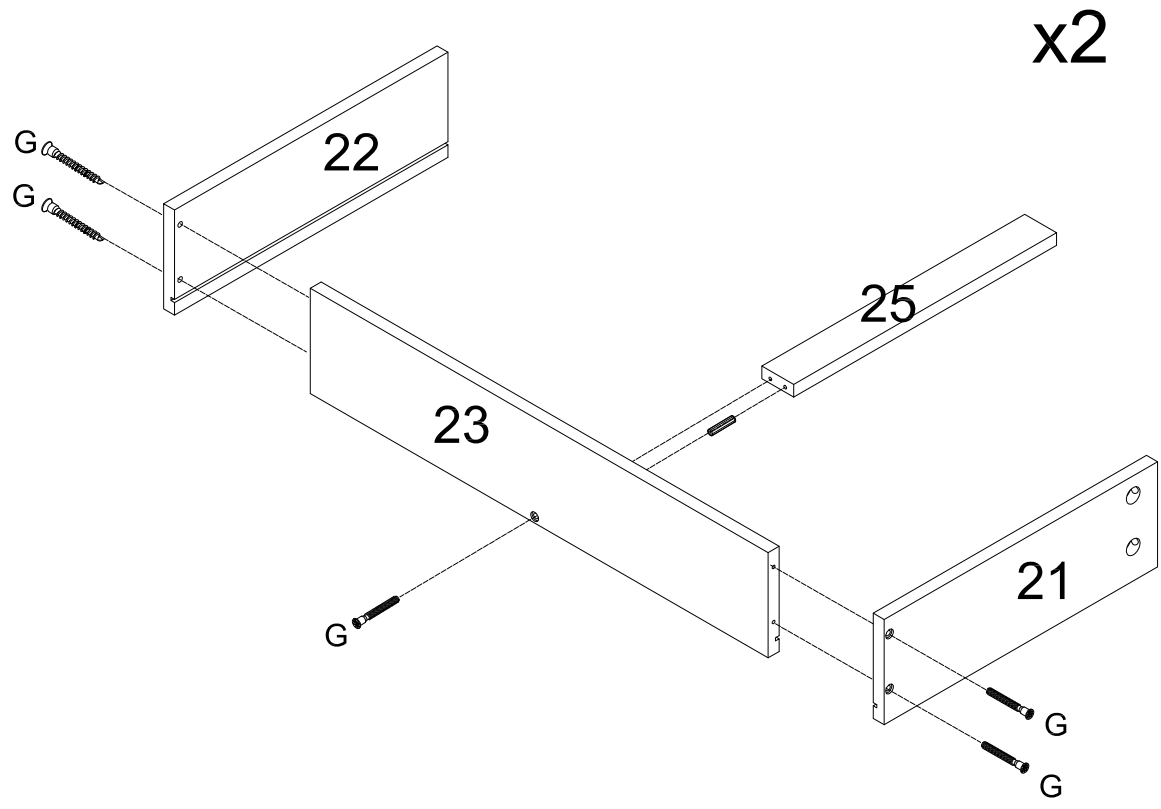
You will need

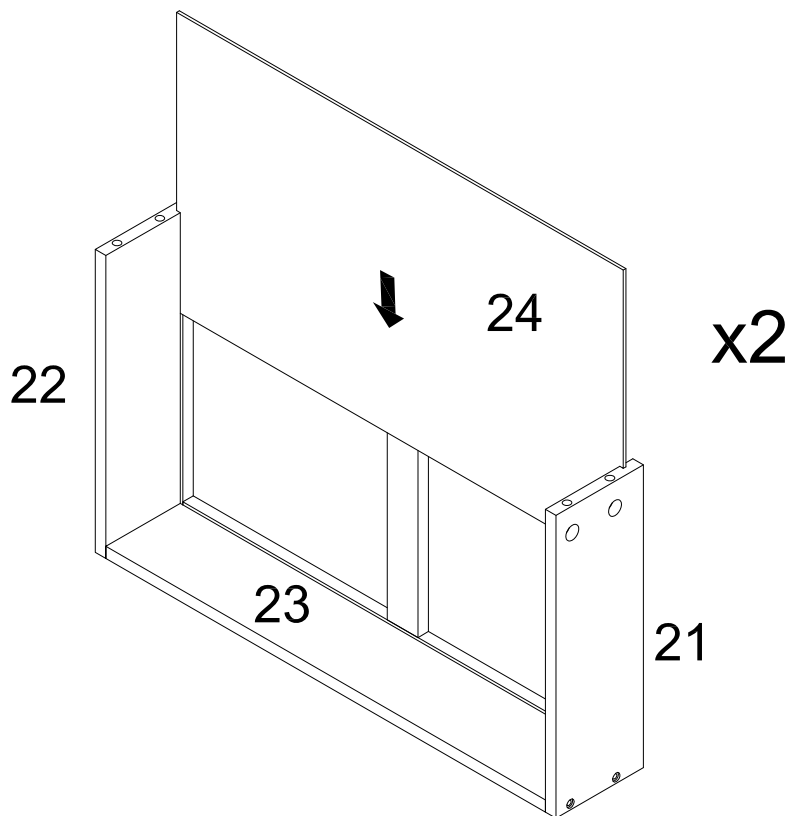
- | | |
|--|--|
| E

x8 | N

x2 |
| I

x2 | |



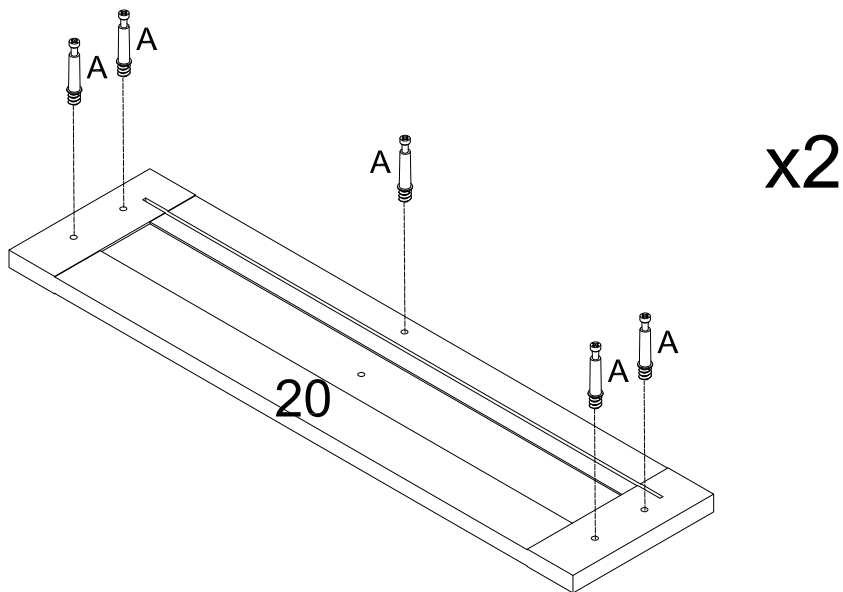
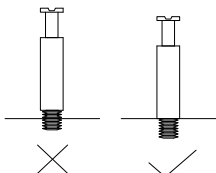
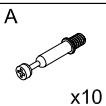
You will need

- | | |
|---|--|
| G

x10 | C

x2 |
|---|--|

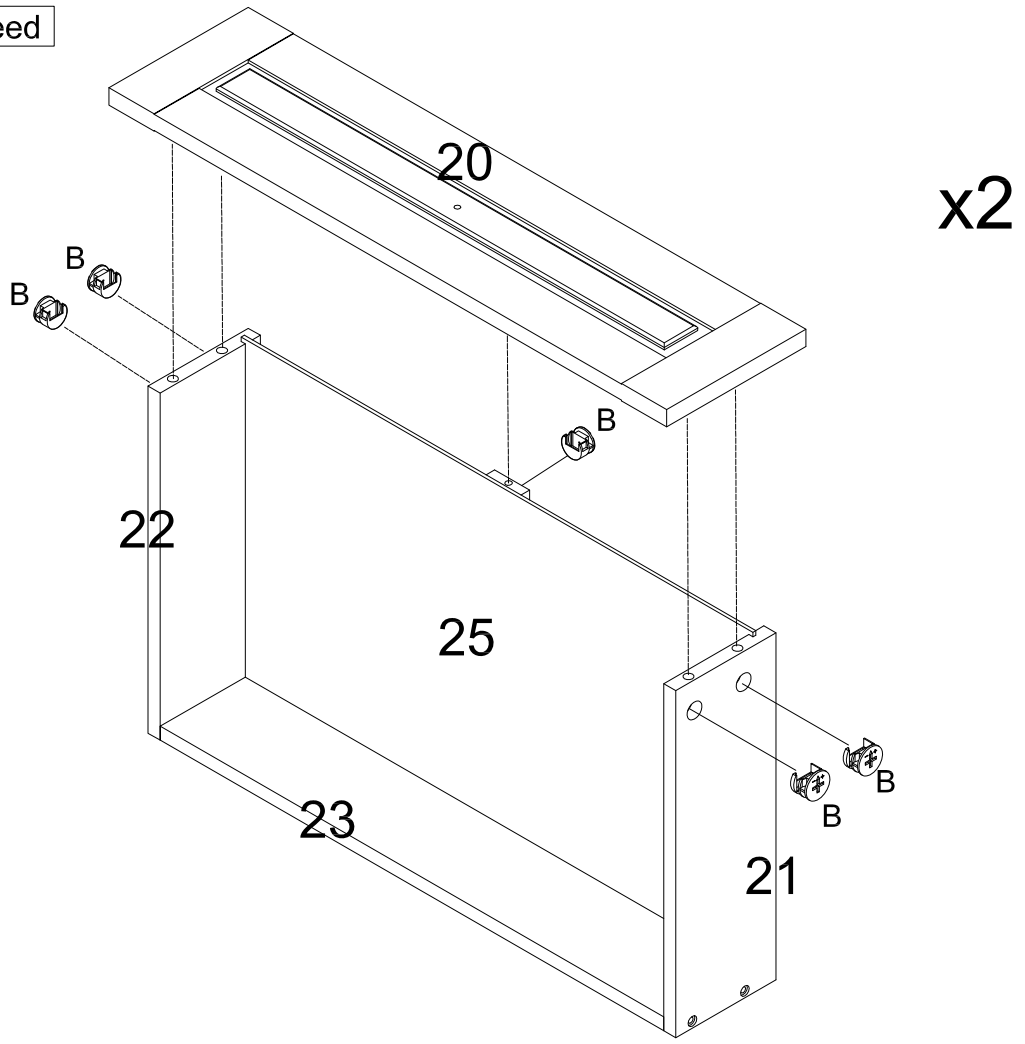
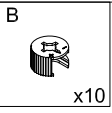




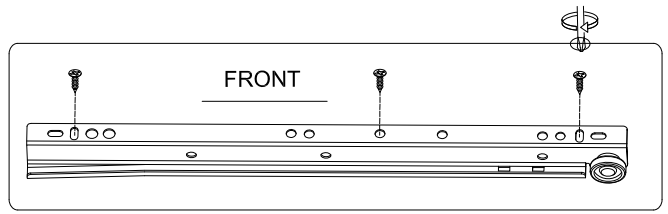
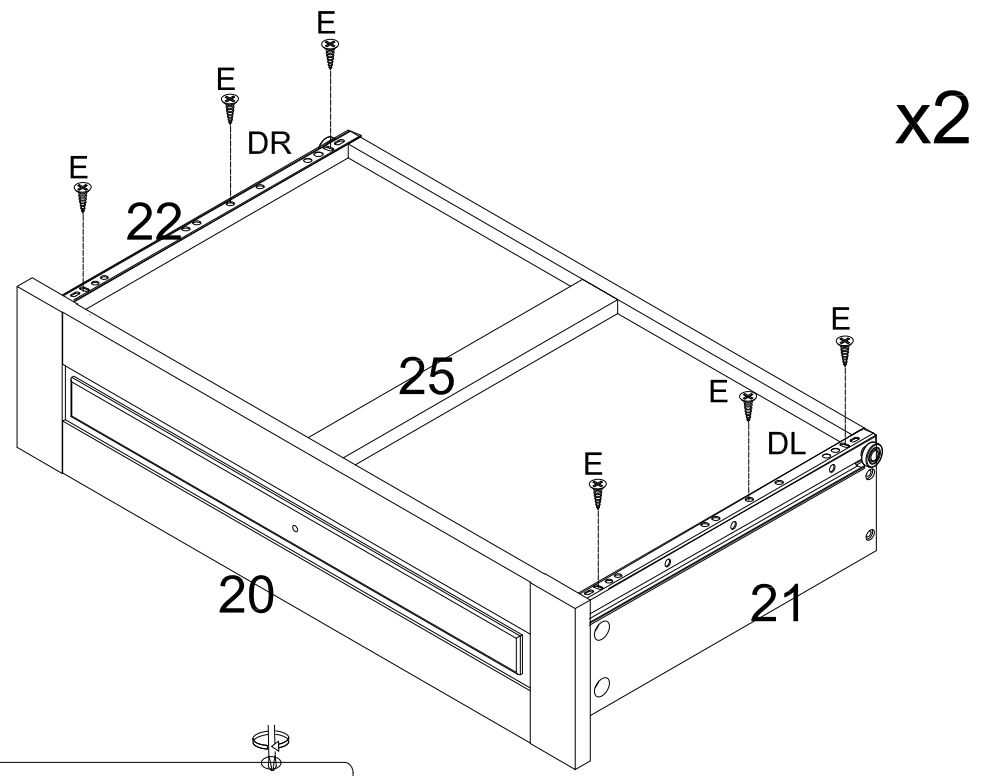
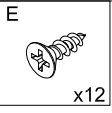
You will need



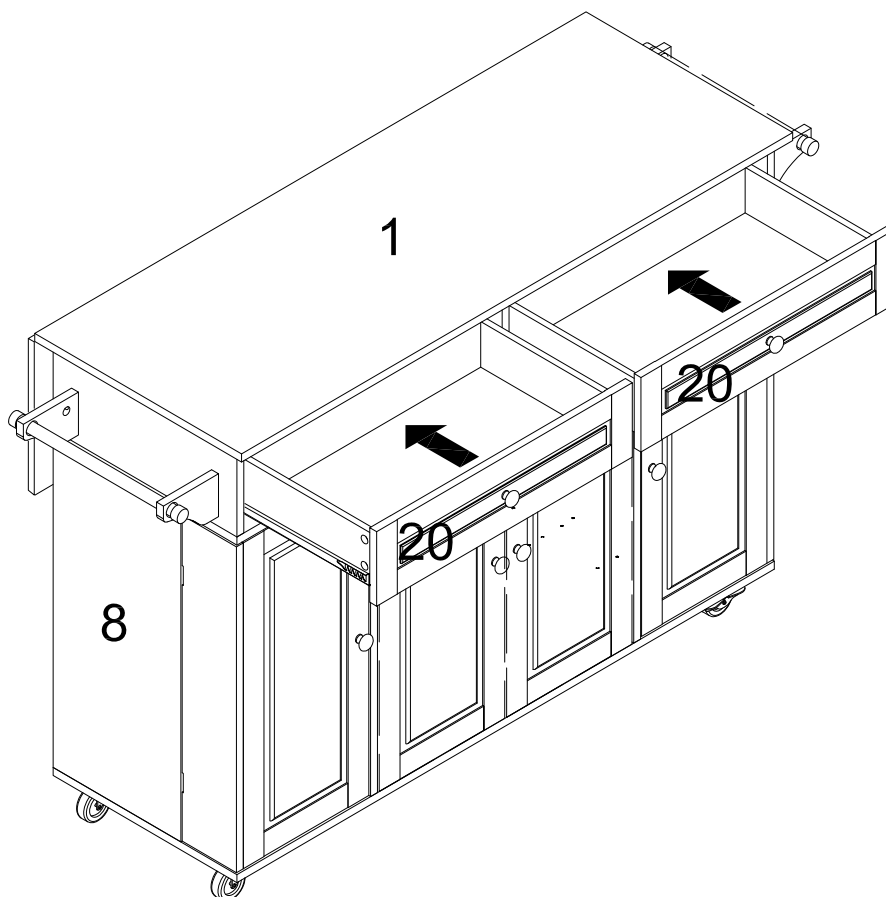
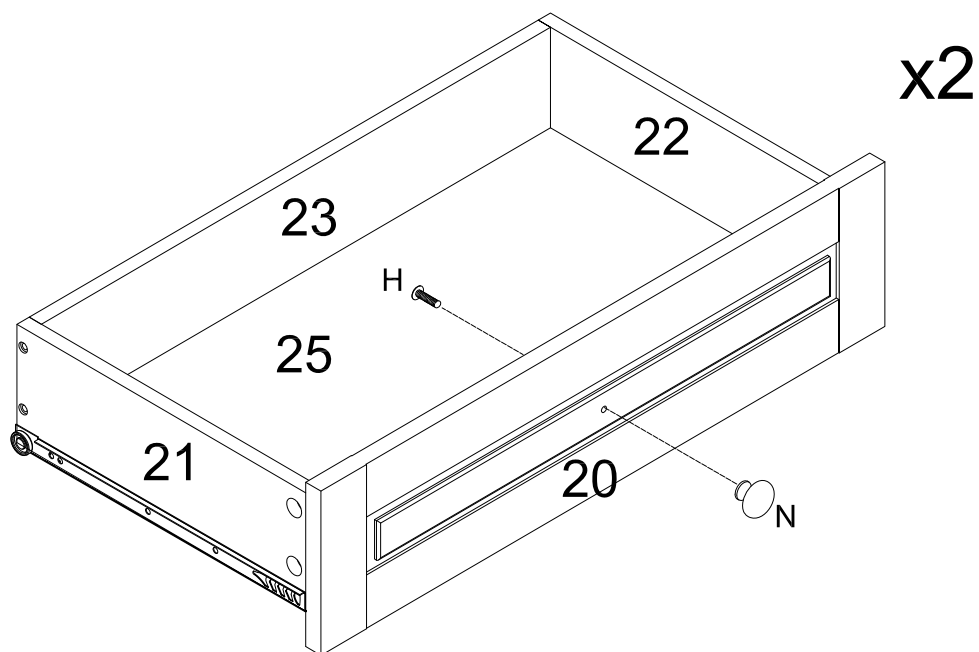
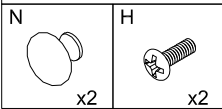
You will need

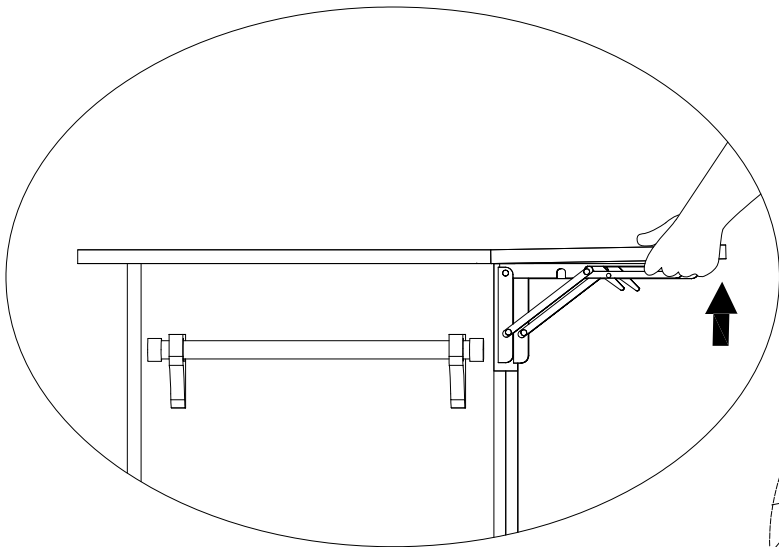


You will need



You will need





Gently lift the small panel

