

Product Assembly Instructions





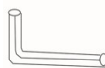
Helpers needed to assemble: 2

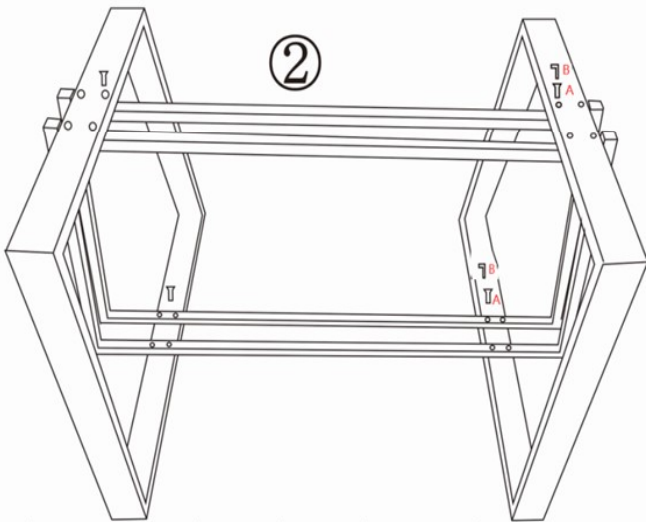
Estimate time frame to assemble: 20 minutes

·**Step 1:** Turn the table over and place it on the ground where the exterior finish will not be scratched.

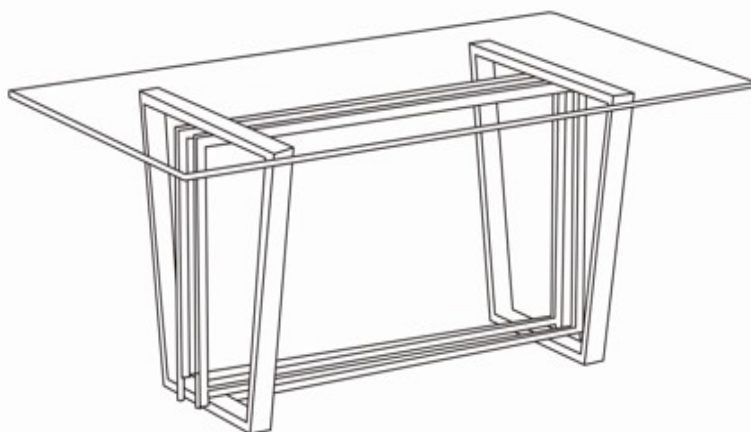
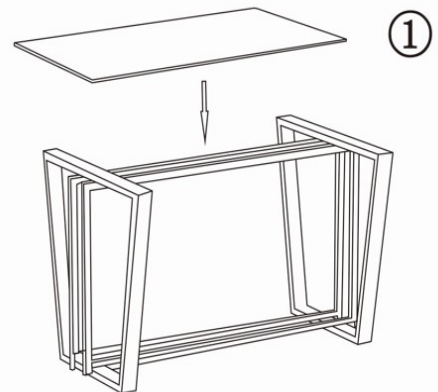
·**Step 2:** Align the frame(2) into frame (3) as picture.

·**Step 3:** Use allen key (B) to affix the bolt(A) into each hole. Once the screws are in place, tighten the screw with the allen key until firmly attached.

#	Picture	Description	Quantity
1		Table top	1
2		Frame	2
3		Frame	2
A		Bolts(M8x40)	16
B		Allen Key	1



③



·**Step 4:** Turn over the fixed table base, and put the table top(1) on the top of frame.

·**Step 5:** Enjoy using your new table.