

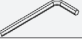
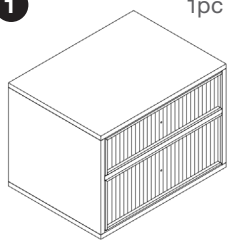
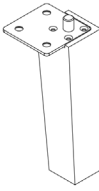
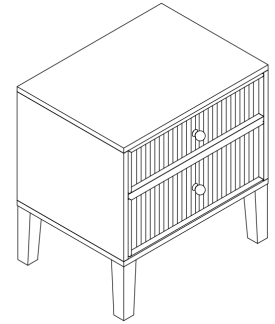


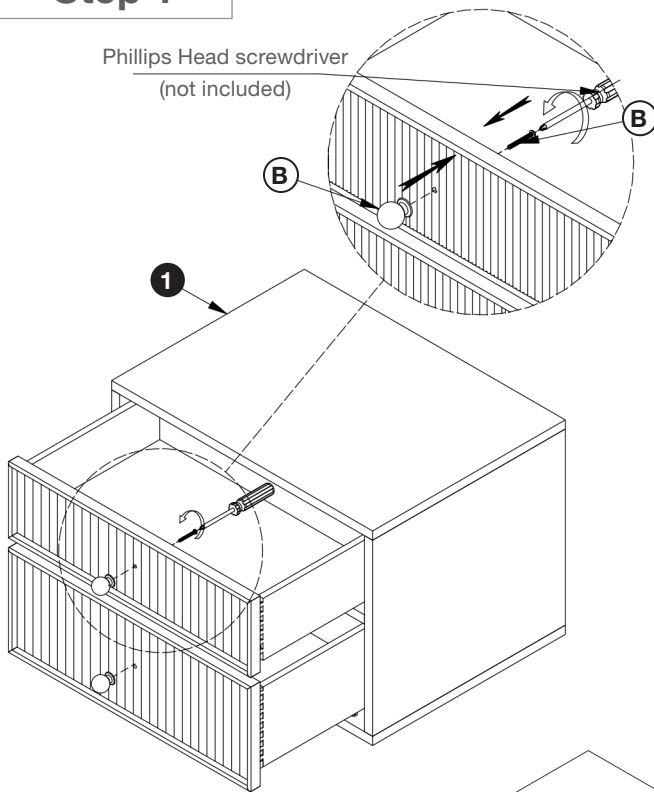
ASSEMBLY INSTRUCTIONS | 2-DRAWER NIGHTSTAND

HARDWARE CHECKLIST		
A		Bolts M6x20 (12pcs)
B		Handle with screws M4x35 (2pcs)
C		Allen Key (1pc)

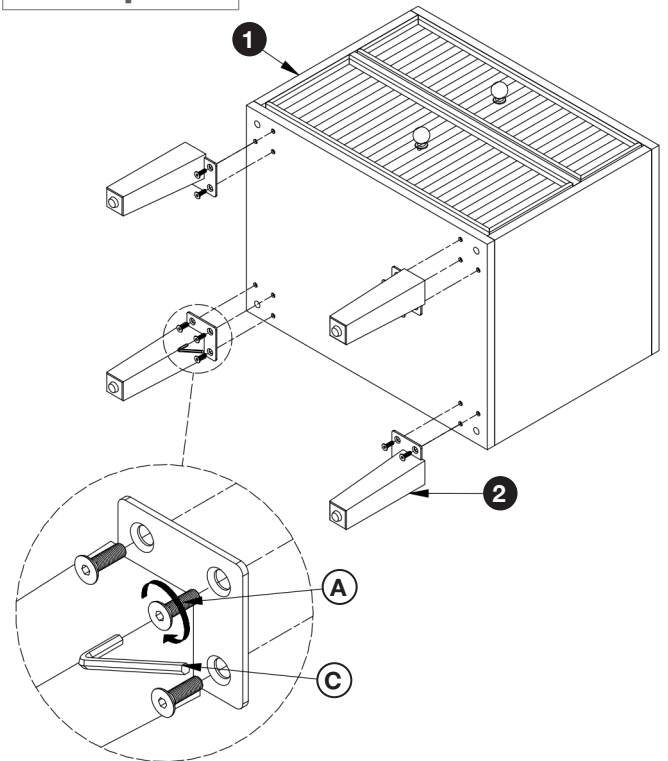
PARTS CHECKLIST			
1	 1pc	2	 4pcs



Step 1



Step 2



Finish

Adjust levelers as needed

