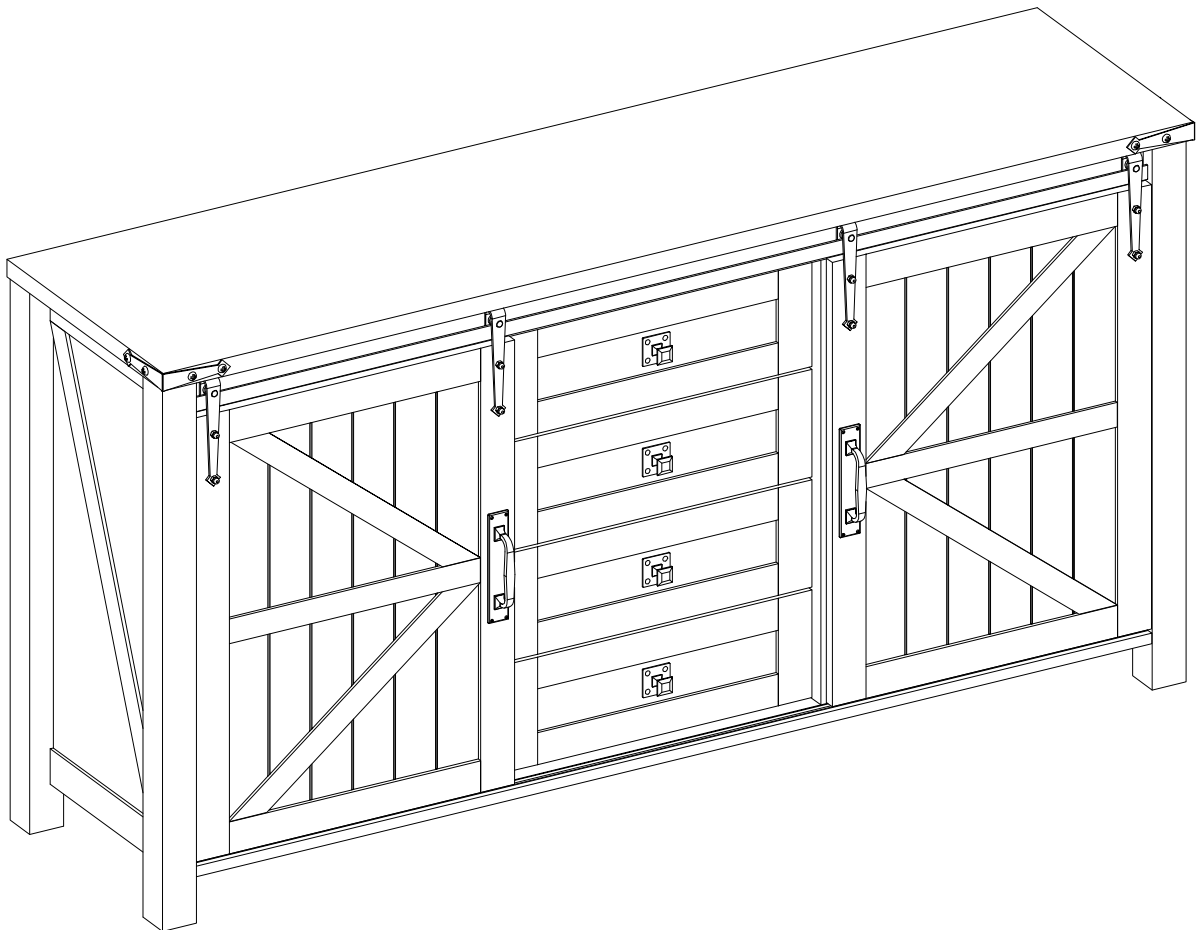
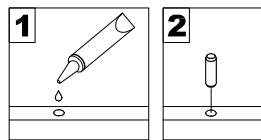


Assembly Instructions

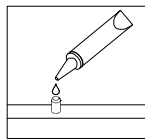


General Assembly Guidelines

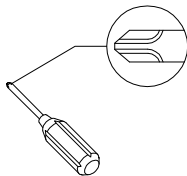
- I. Ensure that all parts and hardware are available before beginning assembly.
- II. Follow each step carefully to ensure the proper assembly of this product.
- III. Two people are recommended for ease in the assembly of this product.
- IV. The three main types of hardware used to assemble this product are : wood dowels , screws and bolts.
- V. The provided glue is to secure wood dowels in place . When first inserting dowels , locate the appropriate hole for the dowel , place a small amount of glue in the hole and insert the dowel . Wipe away excess glue immediately.



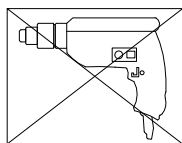
In future assembly steps when dowels are necessary to attach assembly parts together , place a small amount of glue on the end of the dowel before attaching parts together . Wipe away excess glue immediately.



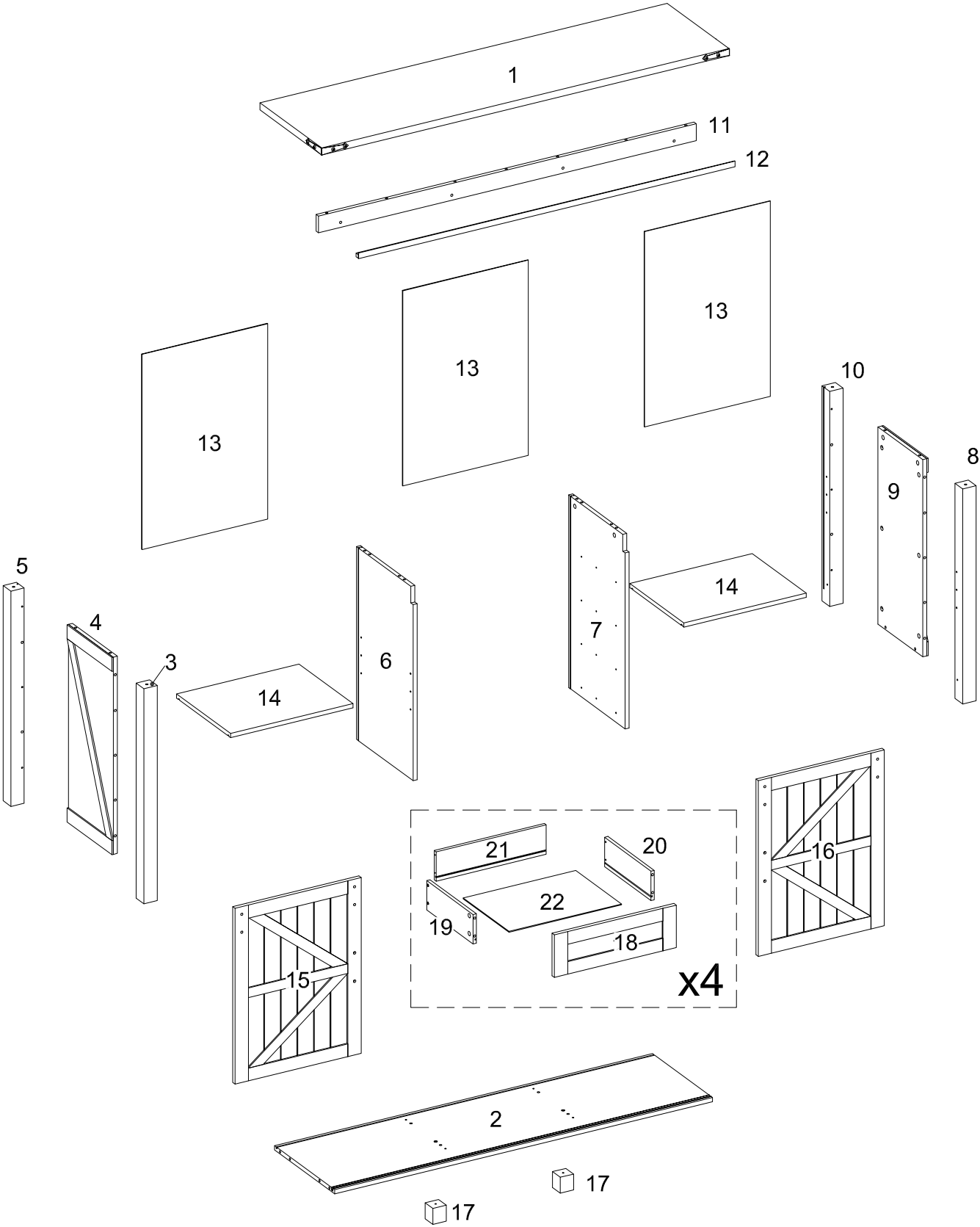
- VI. A Phillips head screwdriver is required for the assembly of this product .




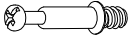



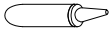
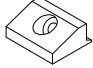
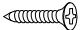

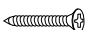
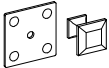

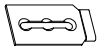



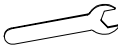
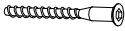

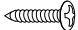
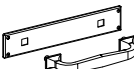
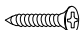
- VII. Power tools should not be used to assemble this product .

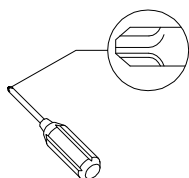


Parts List



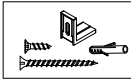



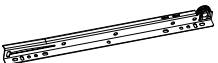
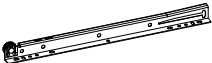
Hardware List

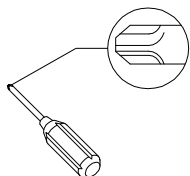
| | | | | |
|---|---|-----------|--------------------|--------|
| A |  | Ø8x30mm | Wooden dowel | 27 pcs |
| B |  | Ø6x35mm | Cam bolt | 44 pcs |
| C |  | Ø15x11mm | Cam lock | 28 pcs |
| D |  | Ø30mm | Sticker | 28 pcs |
| E |  | Ø8x5x16mm | Shelf support pin | 8 pcs |
| F |  | | Glue tube | 1 pc |
| G |  | | Plastic wedge | 12 pcs |
| H |  | Ø3x17mm | Flat-head screw | 12 pcs |
| J |  | Ø4x12mm | Handle bolt | 8 pcs |
| K |  | Ø4x38mm | Screw | 16 pcs |
| L |  | | Handle | 4 pcs |
| M |  | Ø15x9.5mm | Cam lock | 16 pcs |
| N |  | | Plate | 4 pcs |
| P |  | | Pulley | 4 pcs |
| Q |  | | Nut | 8 pcs |
| R |  | Ø6x25mm | Bolt | 12 pcs |
| S |  | | Wrench | 1 pc |
| T |  | Ø6x50mm | Screw | 6 pcs |
| U |  | M 4 | Hexagon socket key | 1 pcs |
| V |  | Ø4x12mm | Screw | 8 pcs |
| W |  | | Handle | 2 pcs |
| X |  | Ø3.5x12mm | Screw | 48 pcs |



Philips head screwdriver required for assembly
(not included)

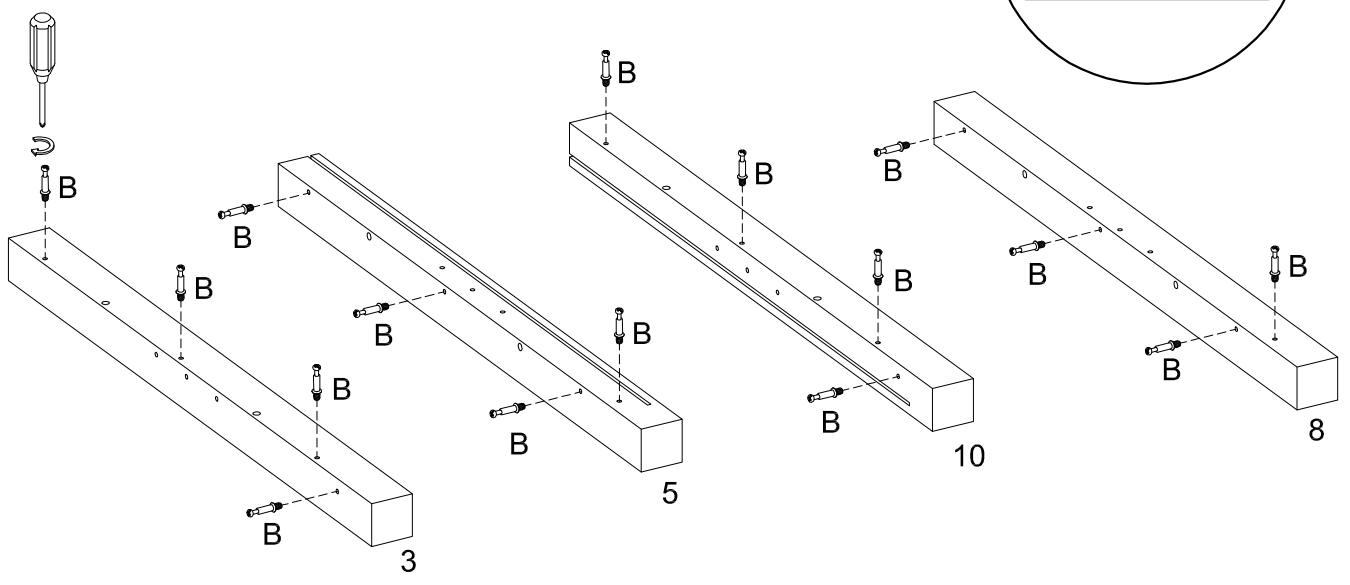
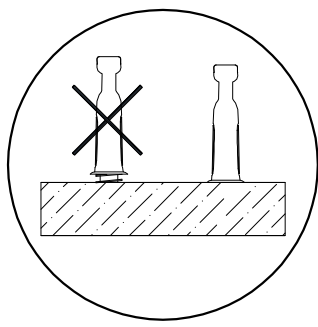
Hardware List

| | | | | |
|----|---|-------|----------------------------|--------|
| Y |  | | Tipping Restraint Hardware | 2 set |
| Z |  | Ø30mm | Drawer sticker | 16 pcs |
| AA |  | 12" | Left cabinet member | 4 pcs |
| BB |  | 12" | Right cabinet member | 4 pcs |
| CC |  | 12" | Left drawer runner | 4 pcs |
| DD |  | 12" | Right drawer runner | 4 pcs |

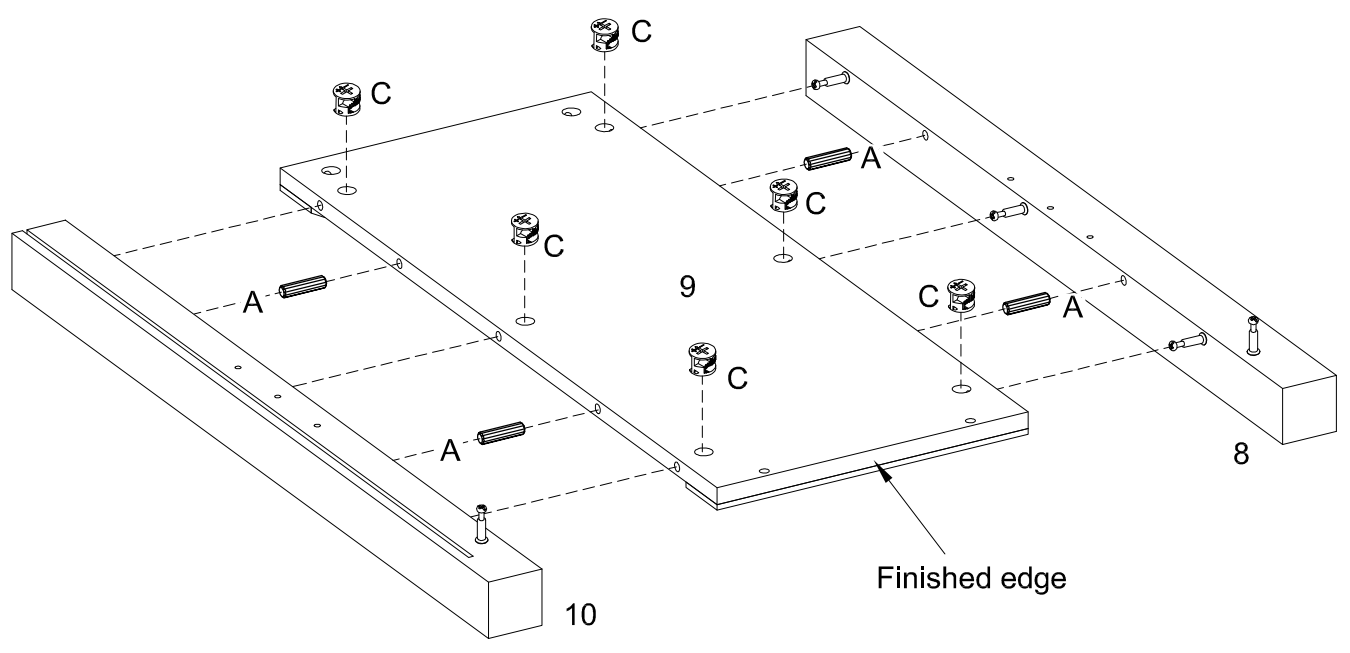
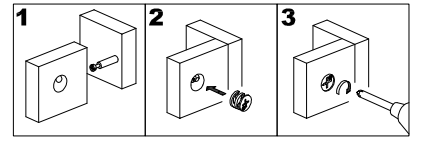


Philips head screwdriver required for assembly
(not included)

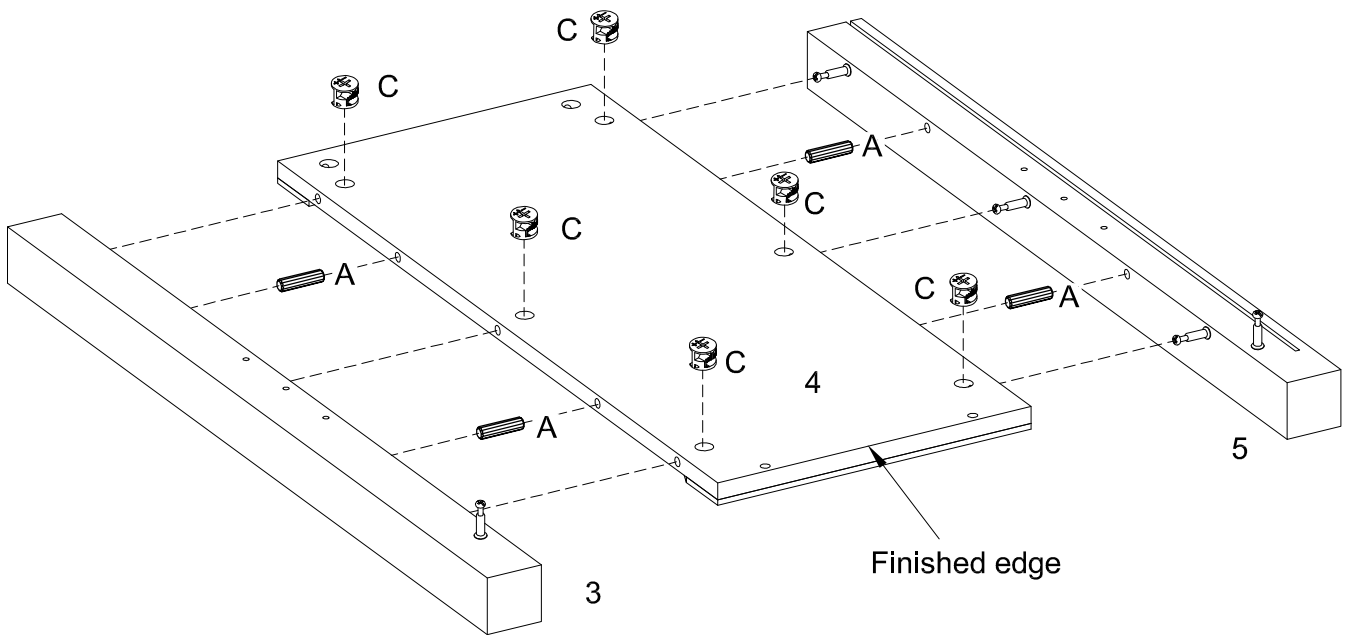
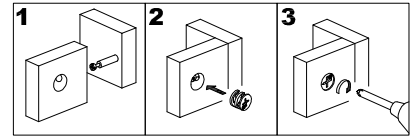
Step 1



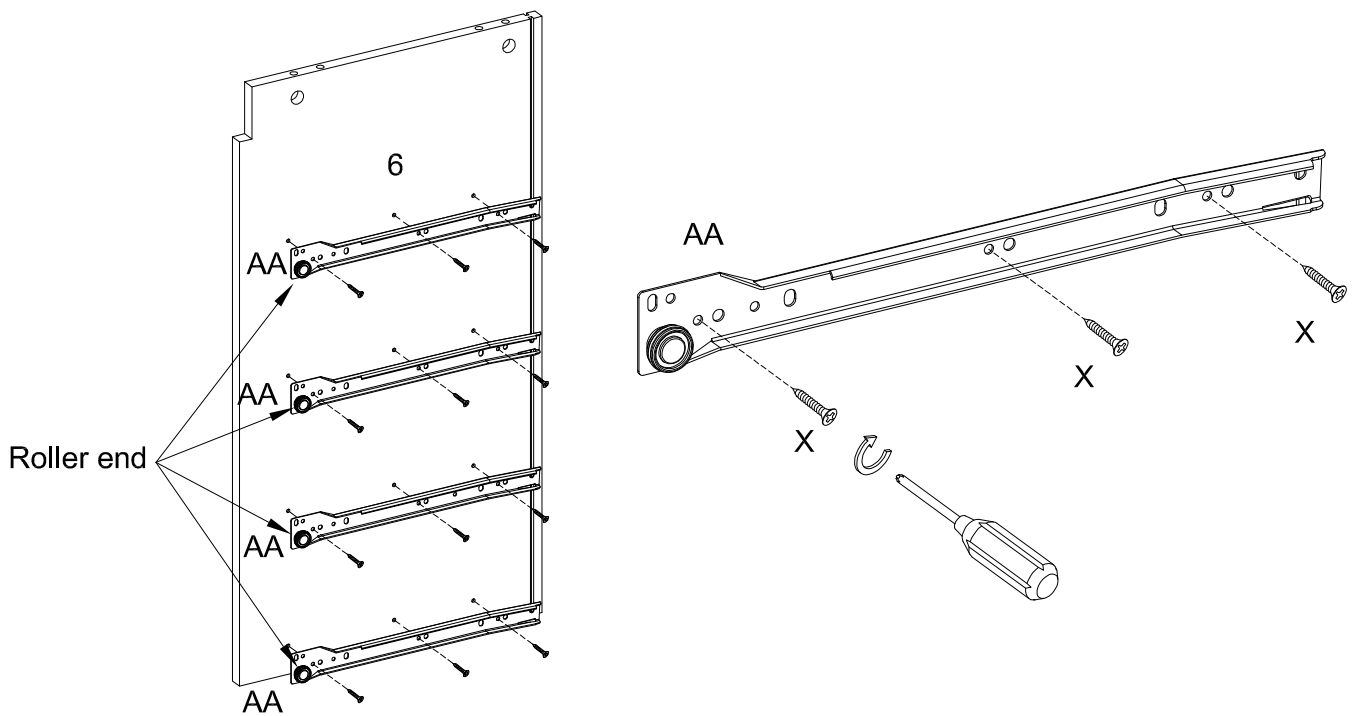
Step 2



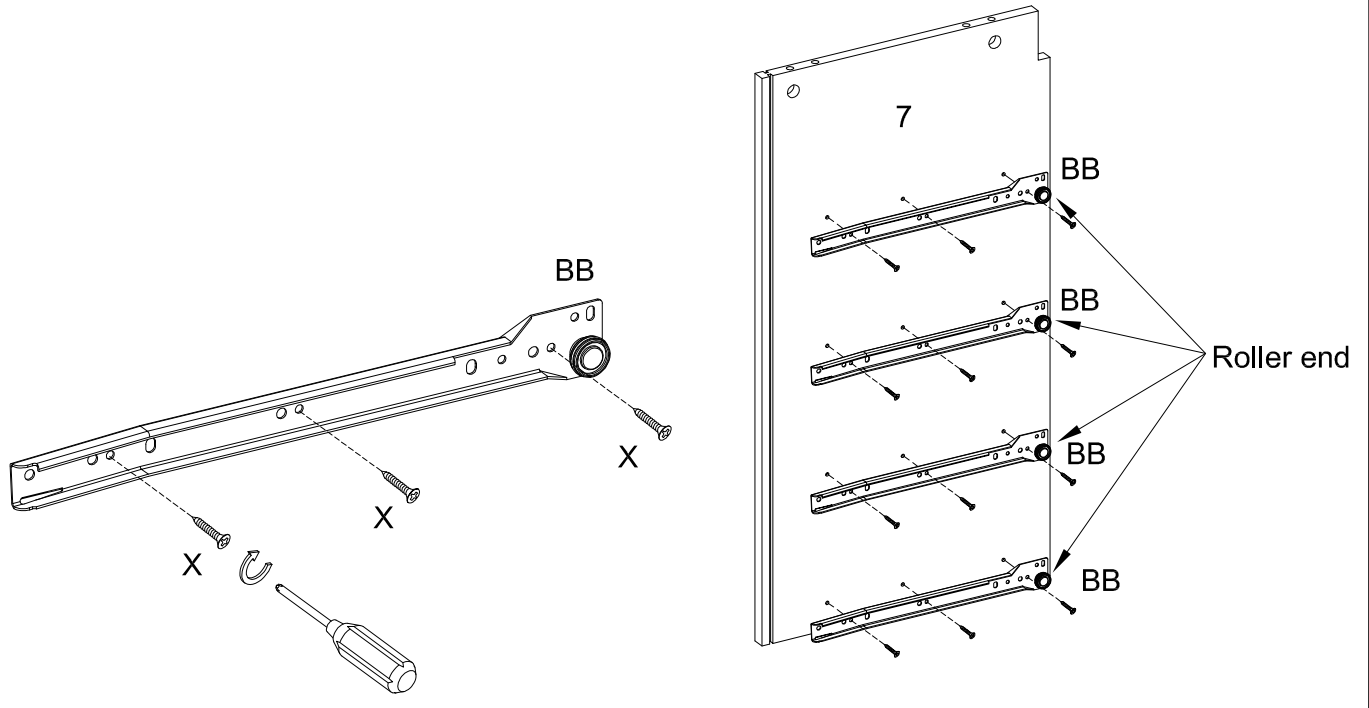
Step 3



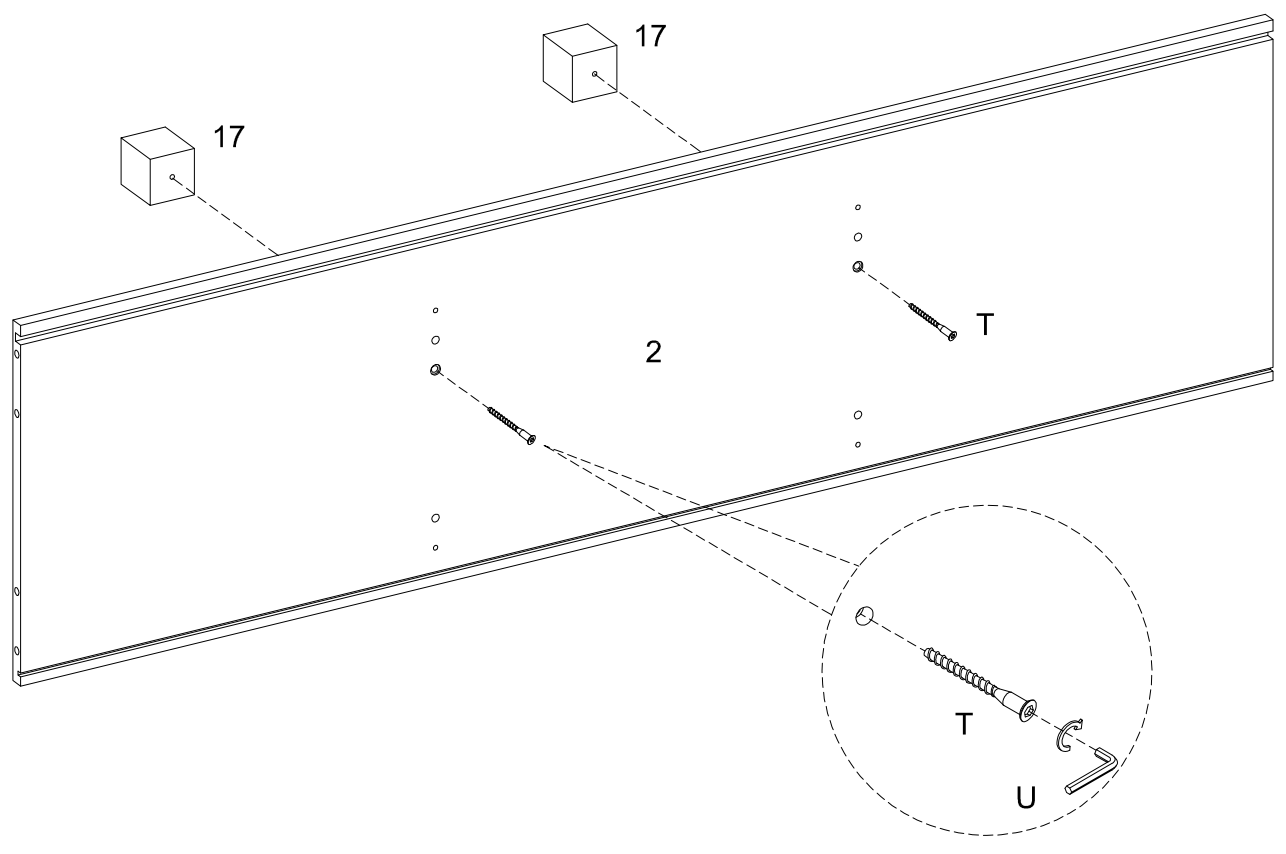
Step 4



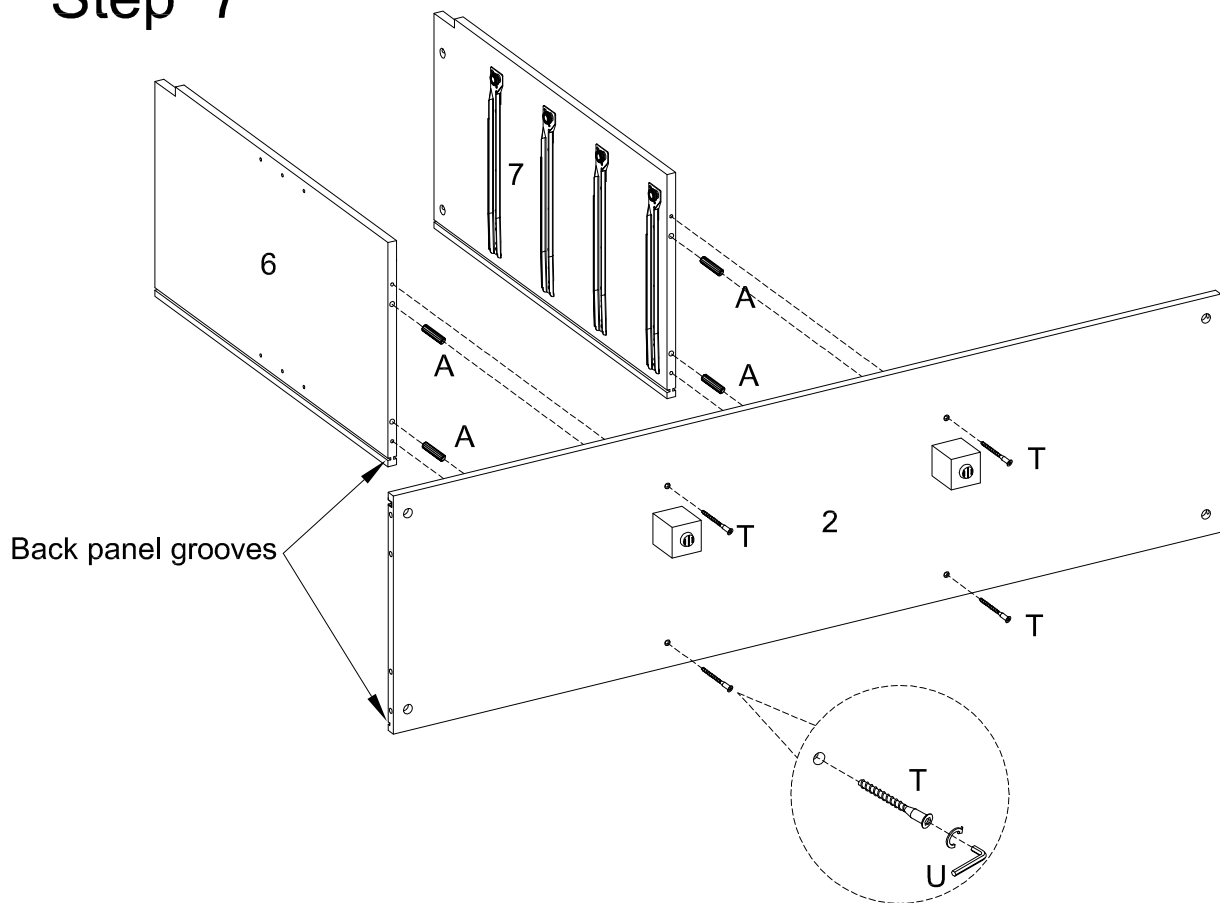
Step 5



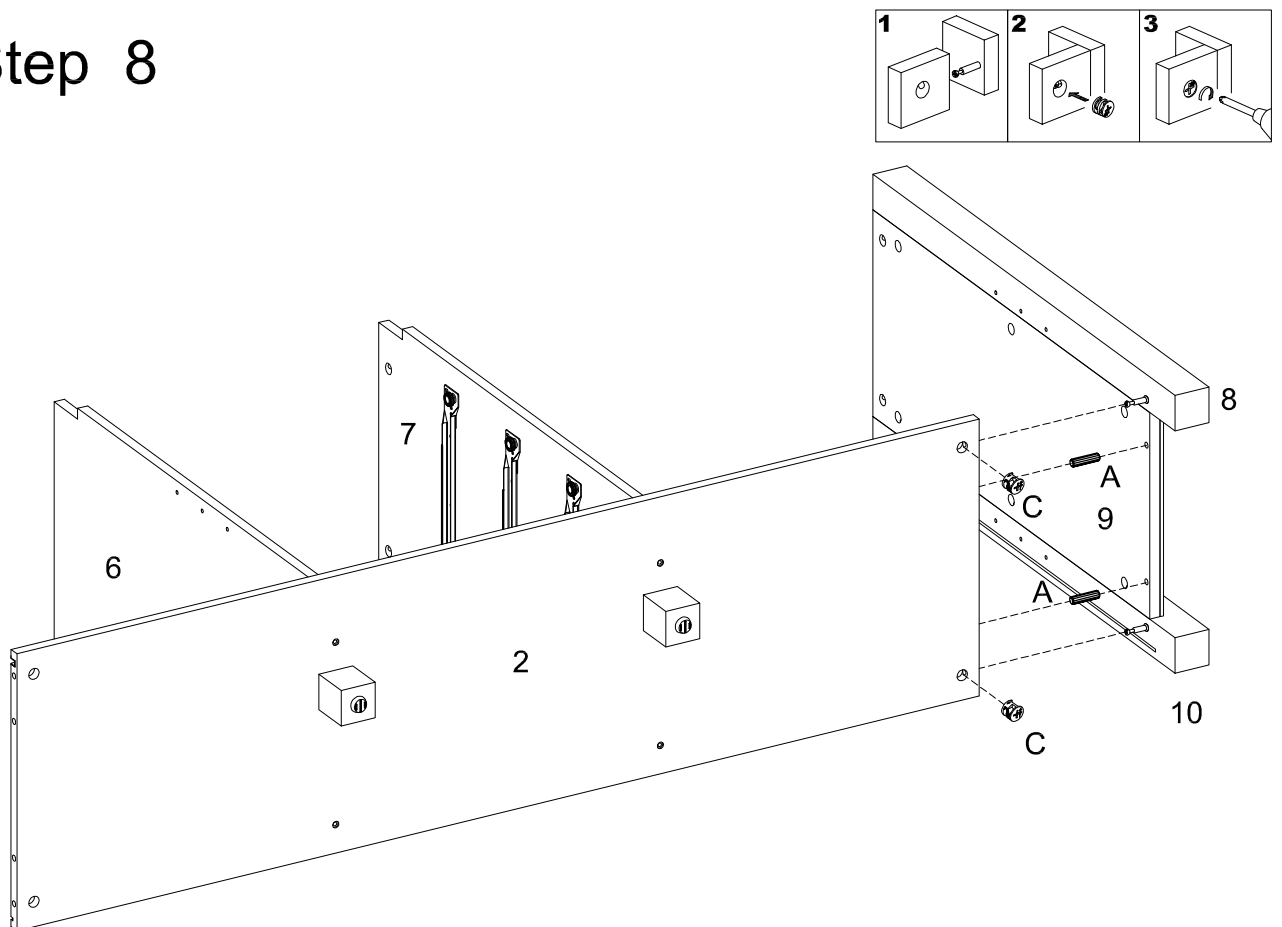
Step 6



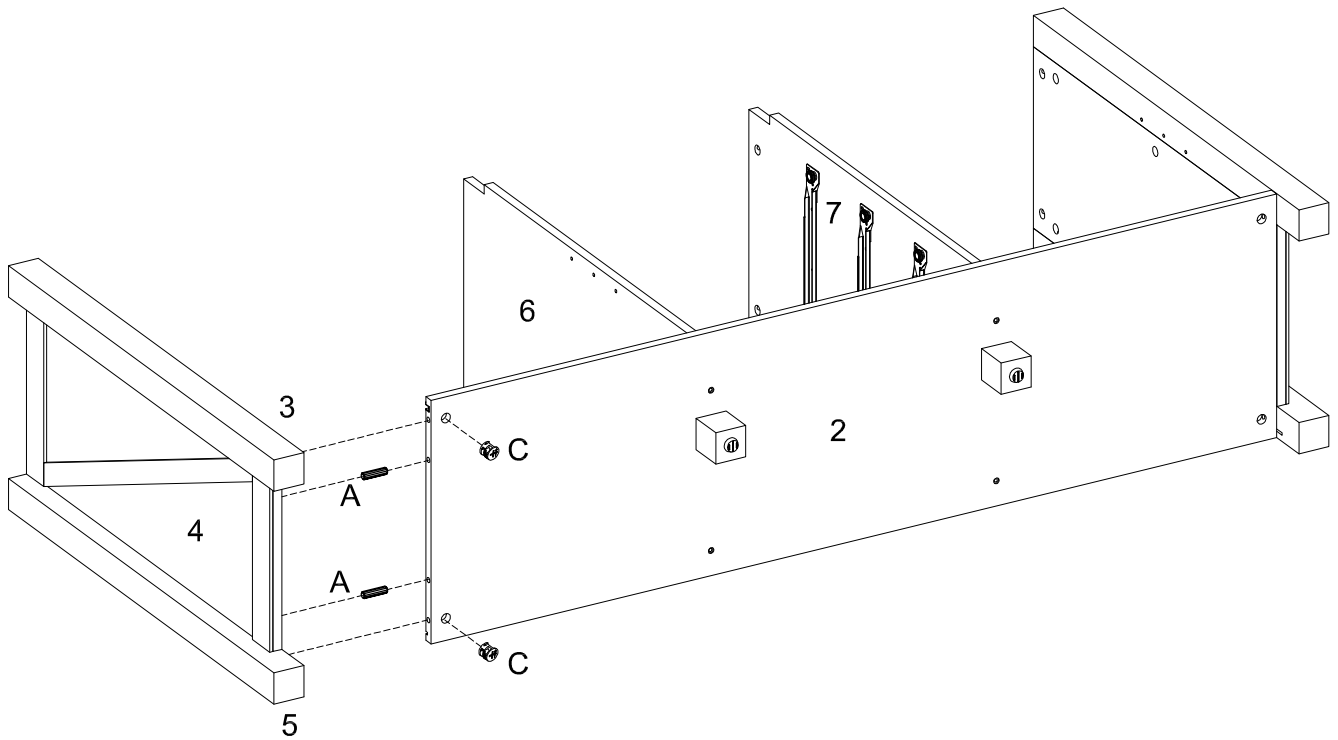
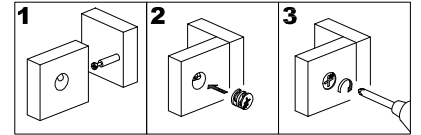
Step 7



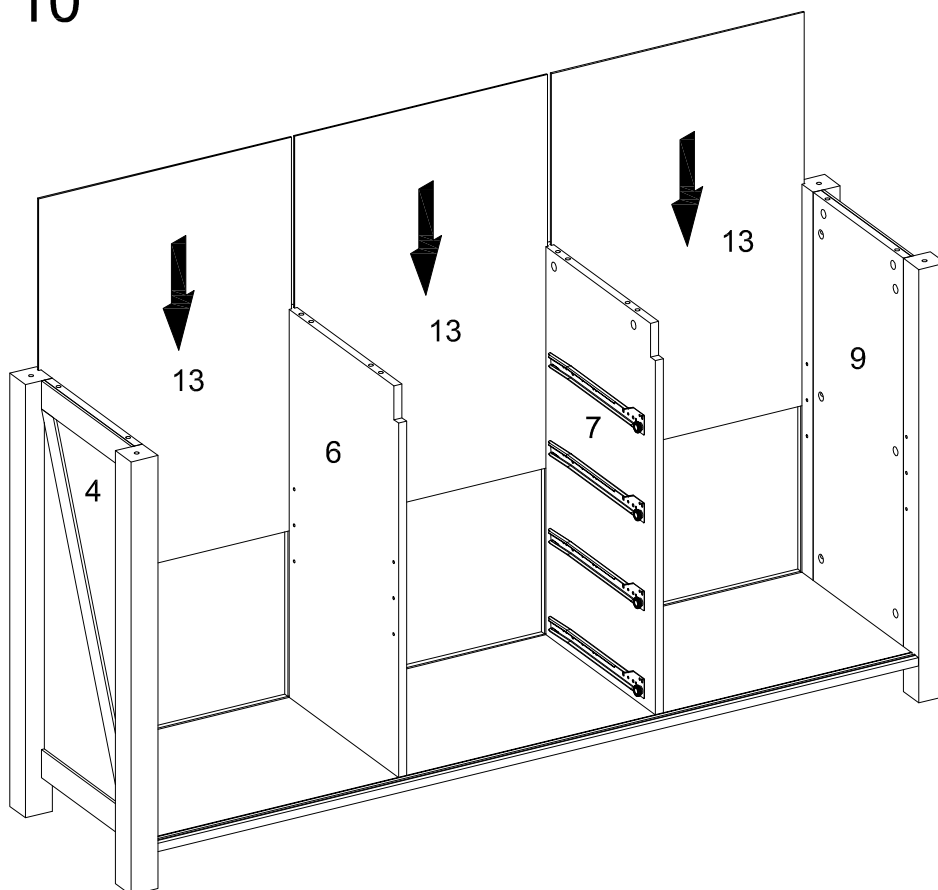
Step 8



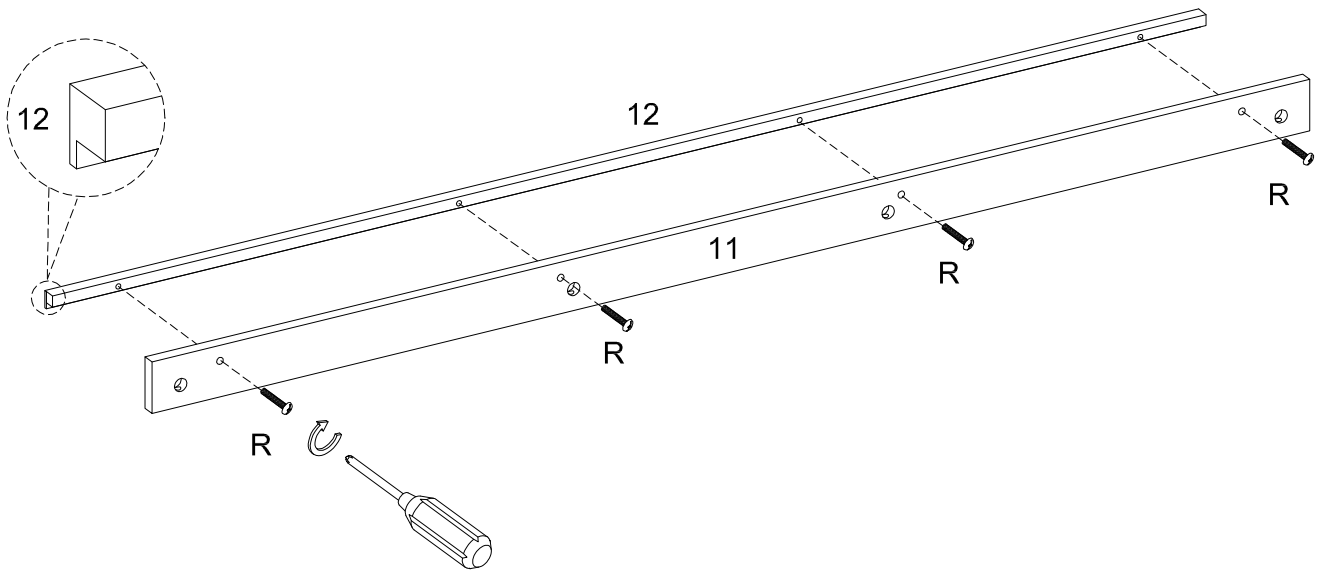
Step 9



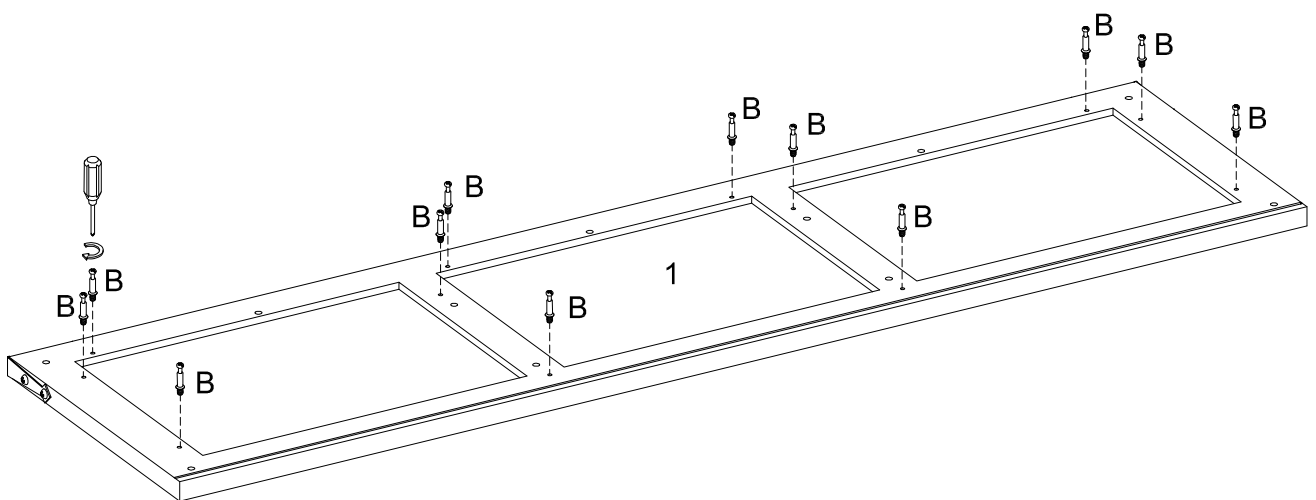
Step 10



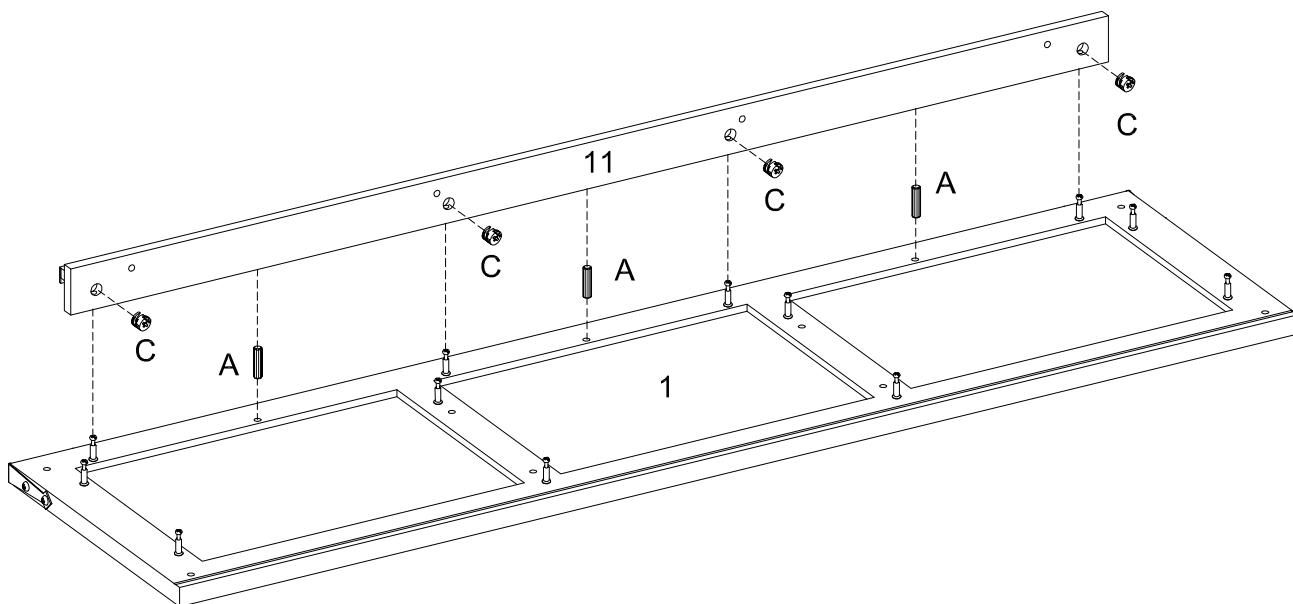
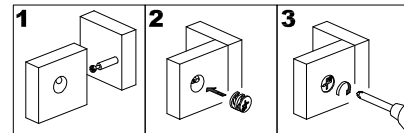
Step 11



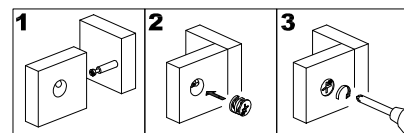
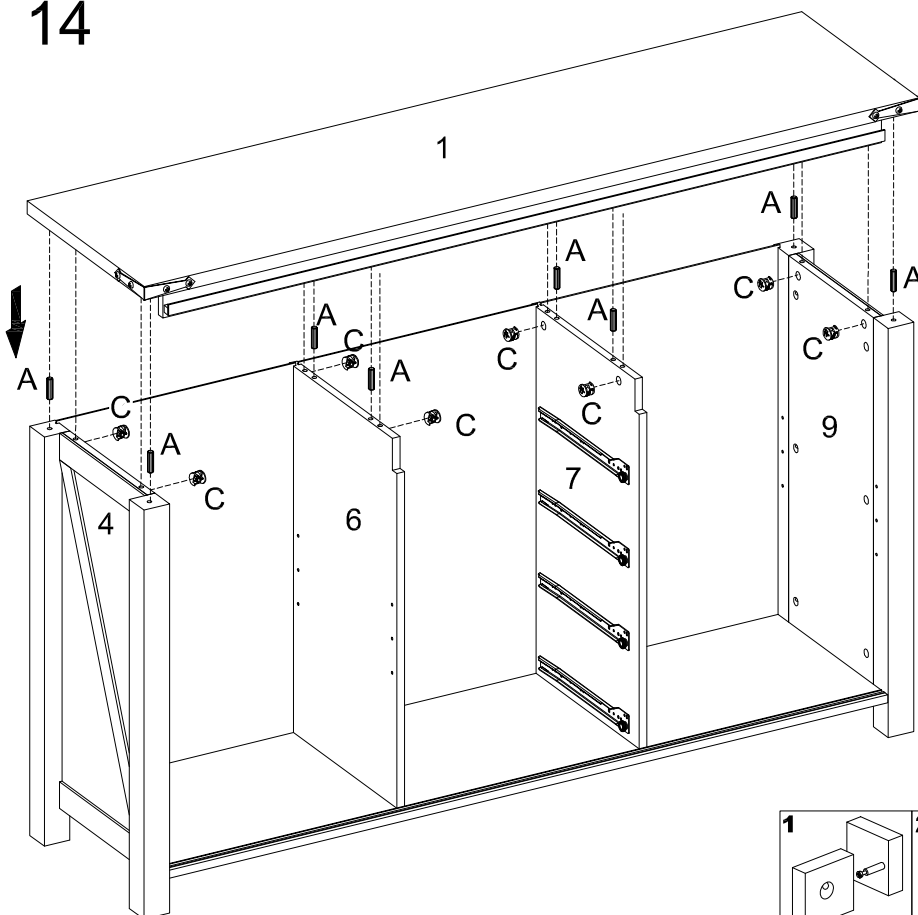
Step 12



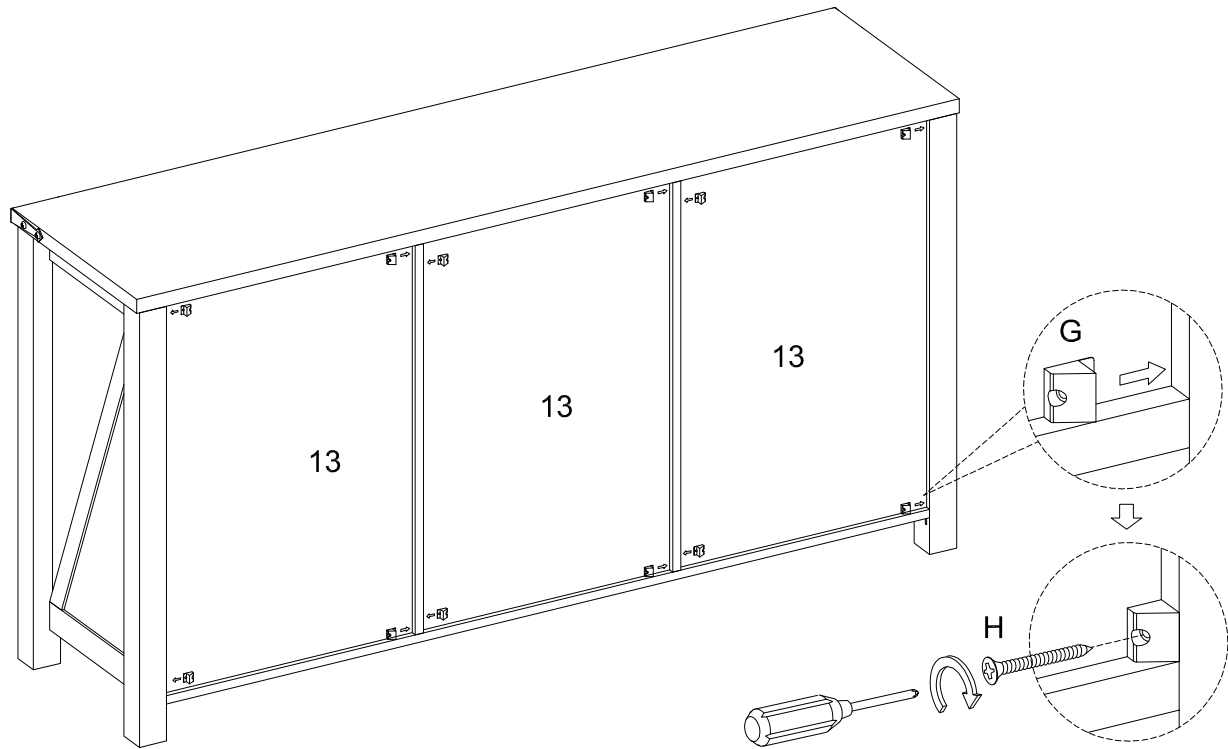
Step 13



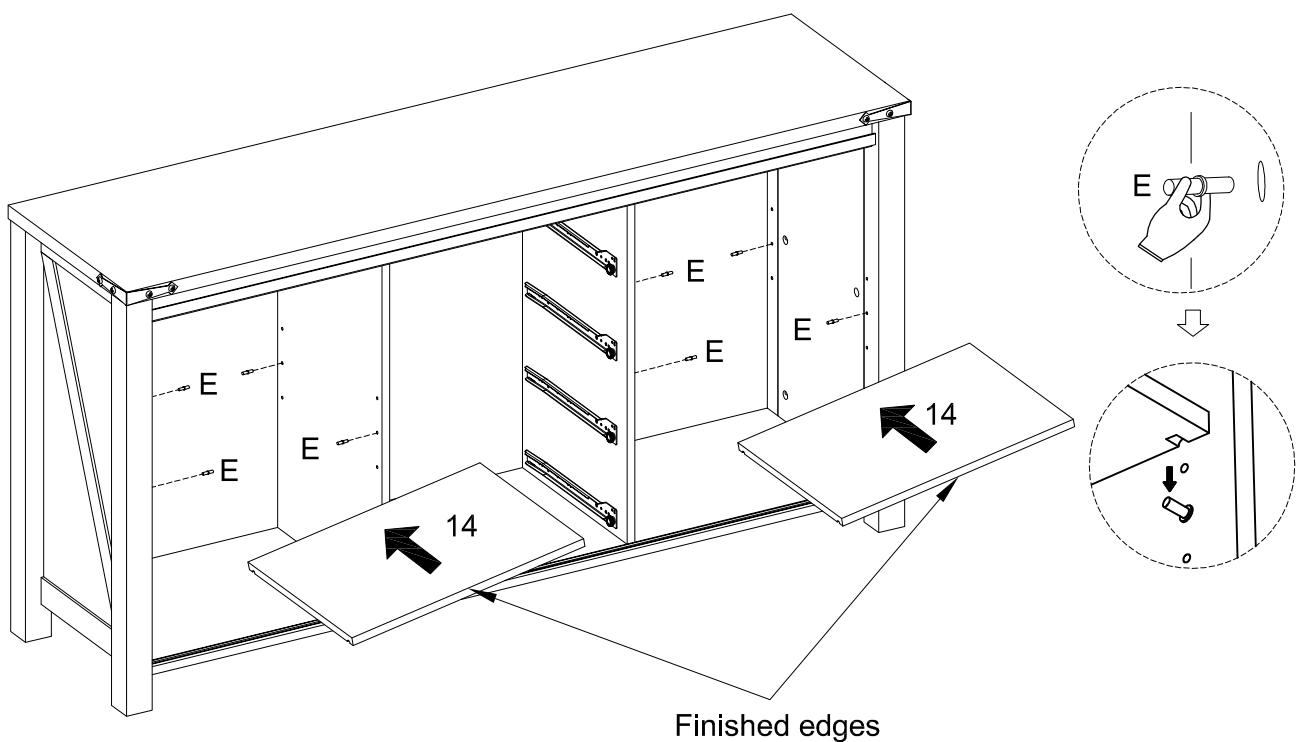
Step 14



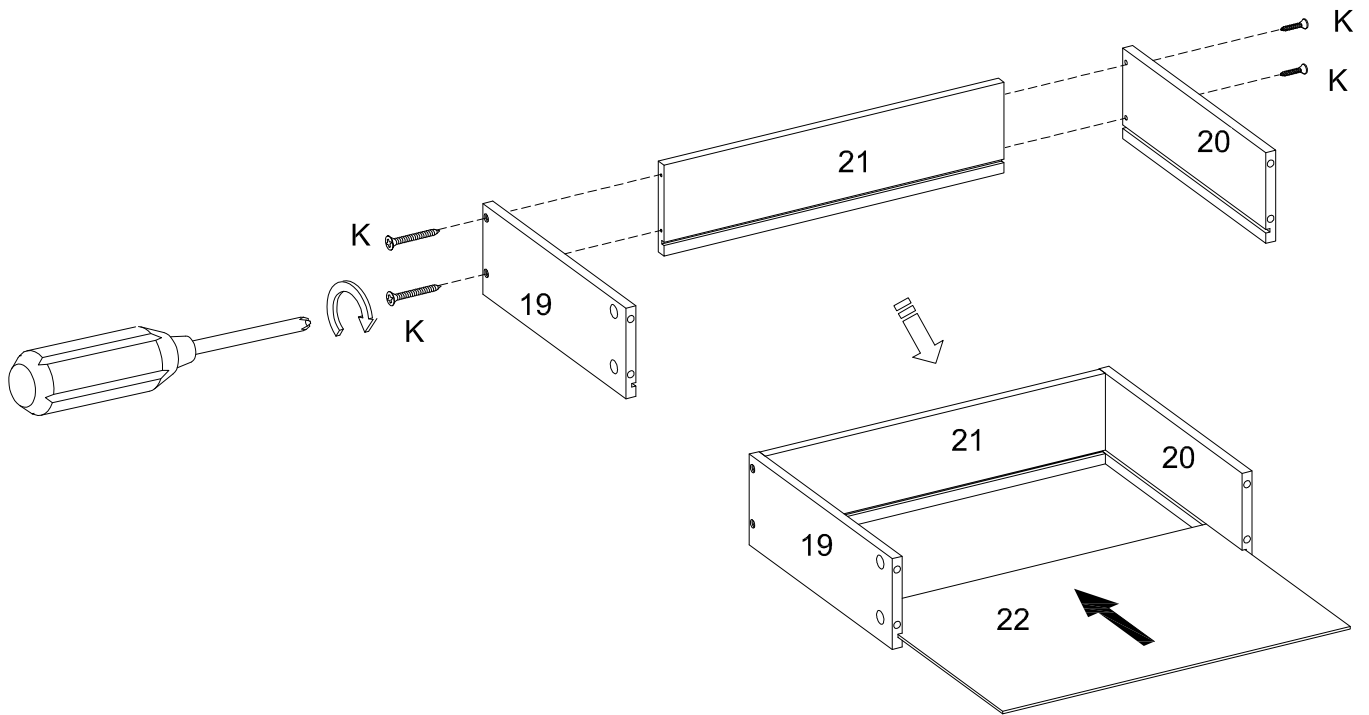
Step 15



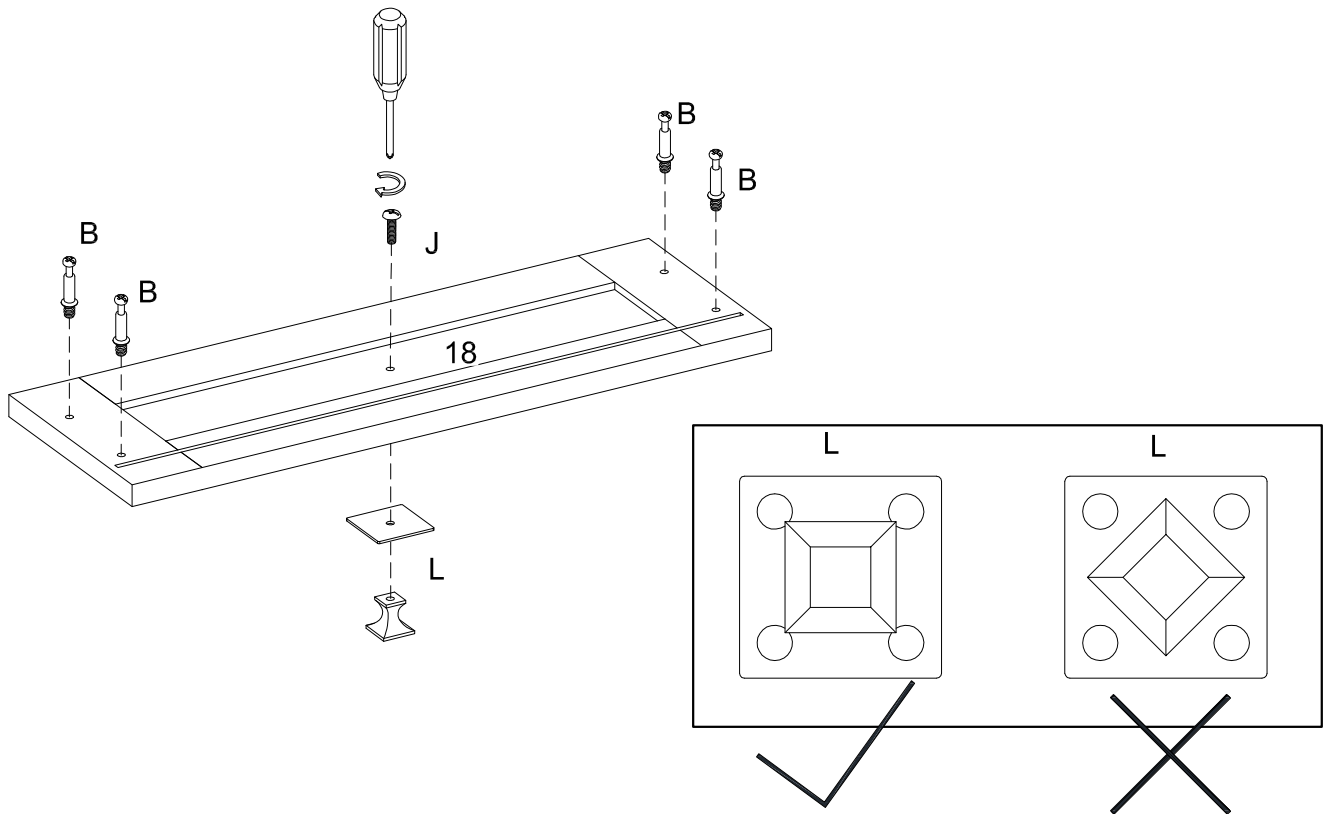
Step 16



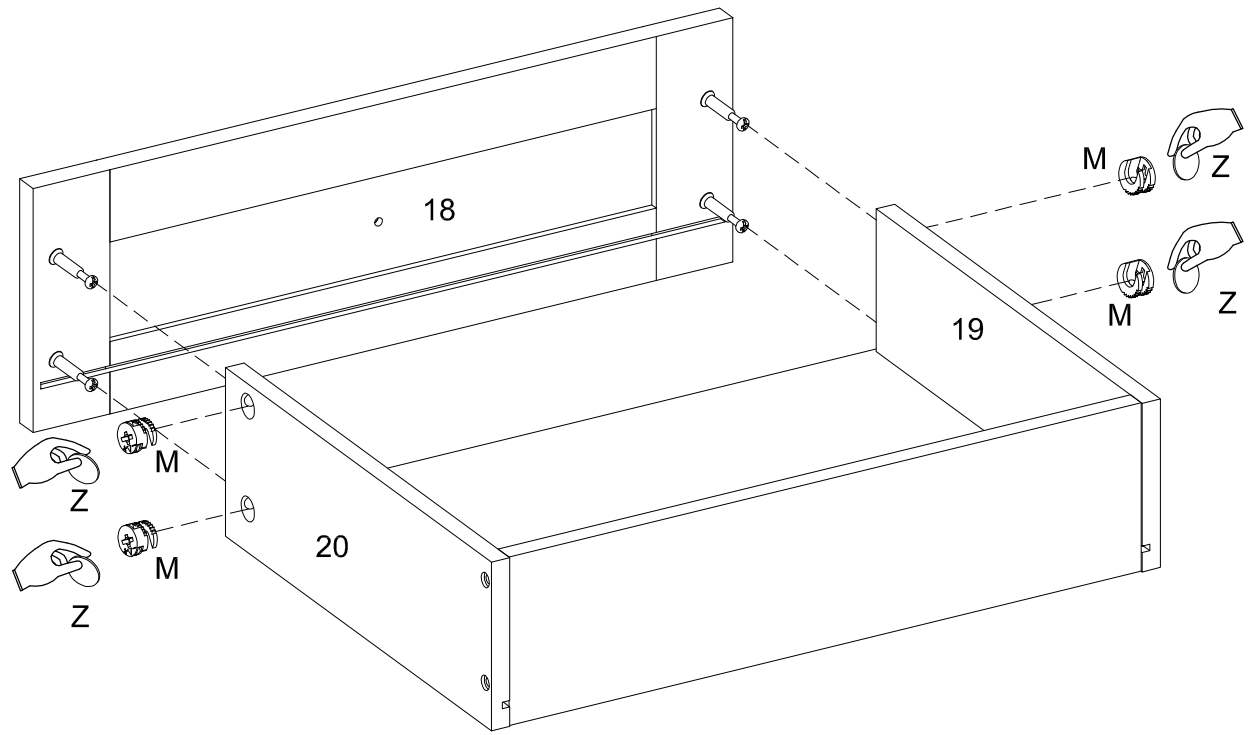
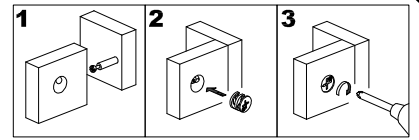
Step 17 x4



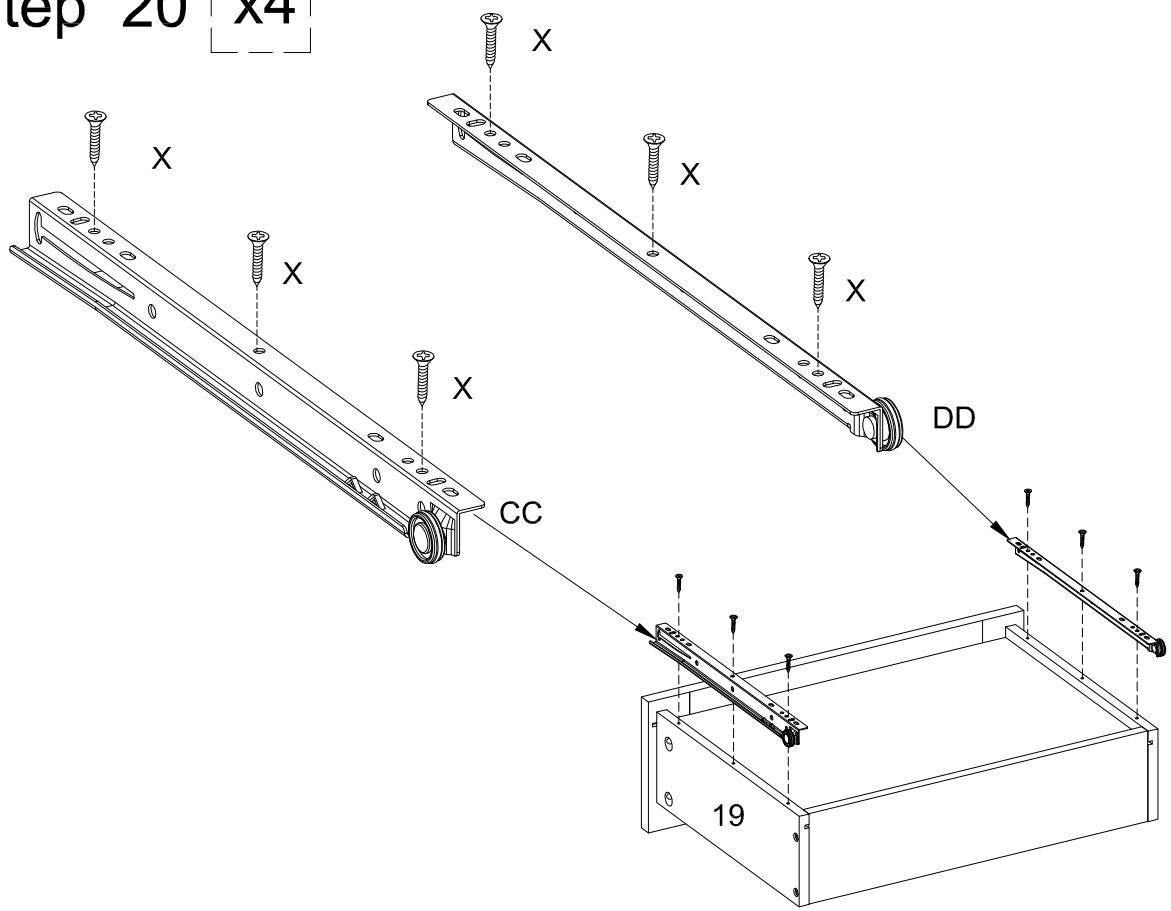
Step 18 x4



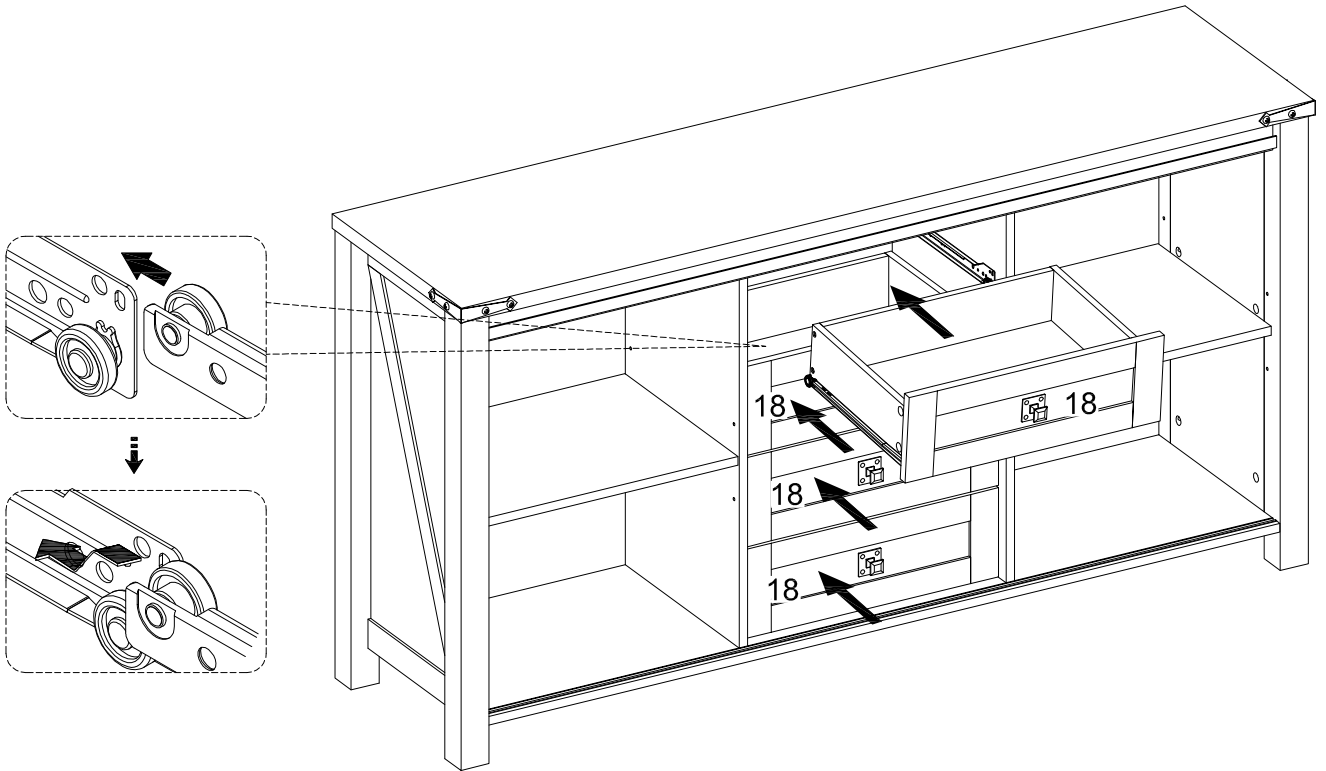
Step 19 x4



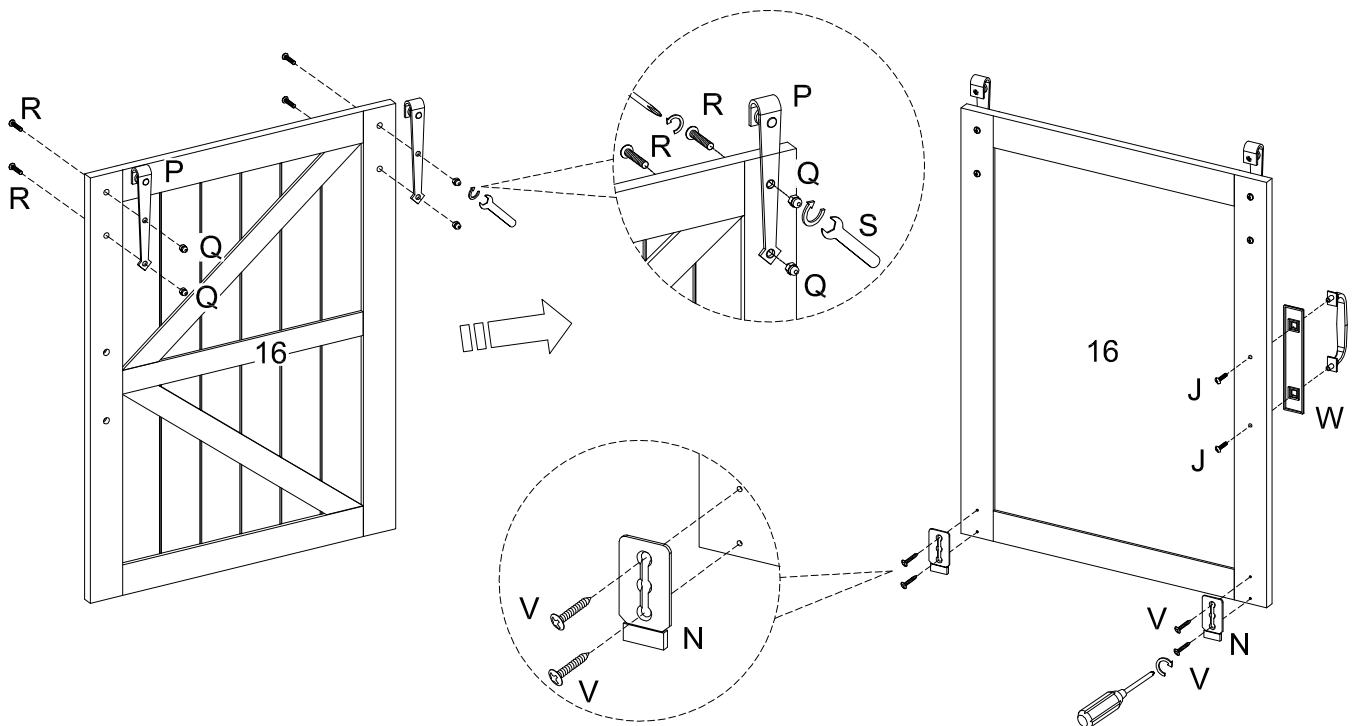
Step 20 x4



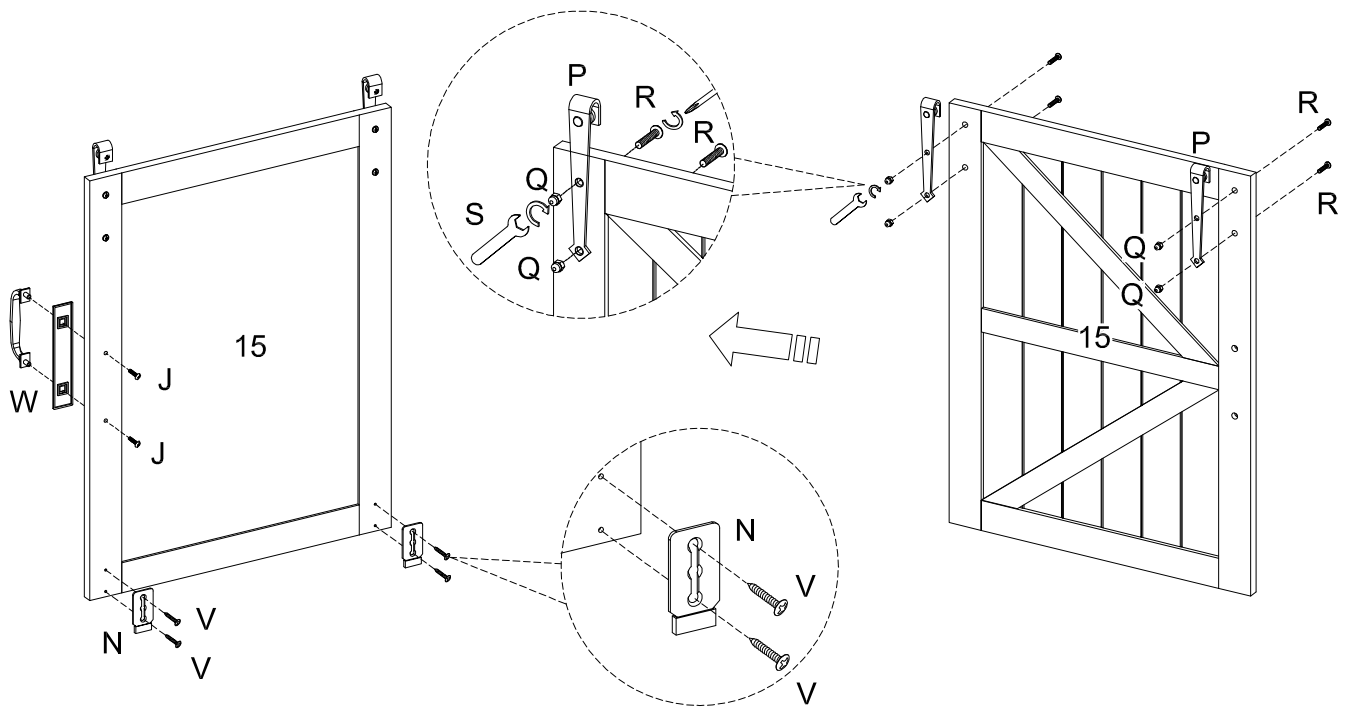
Step 21



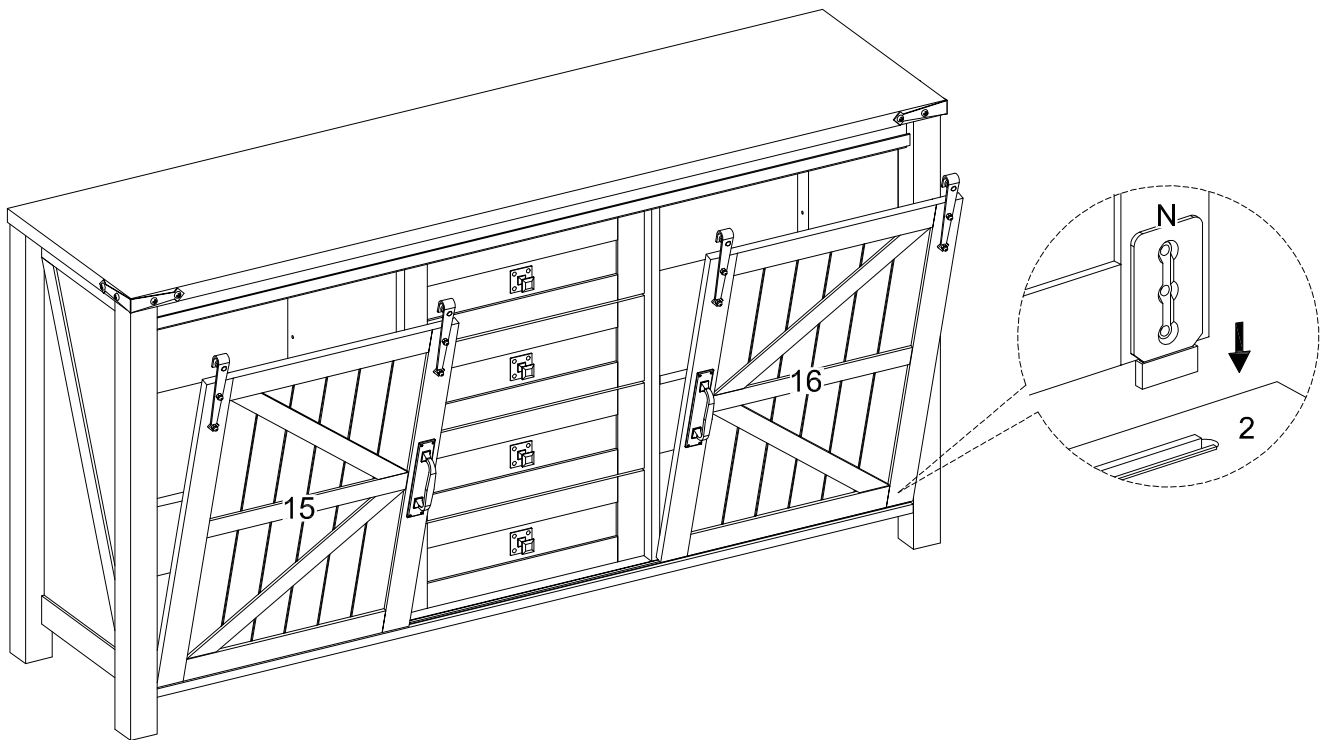
Step 22



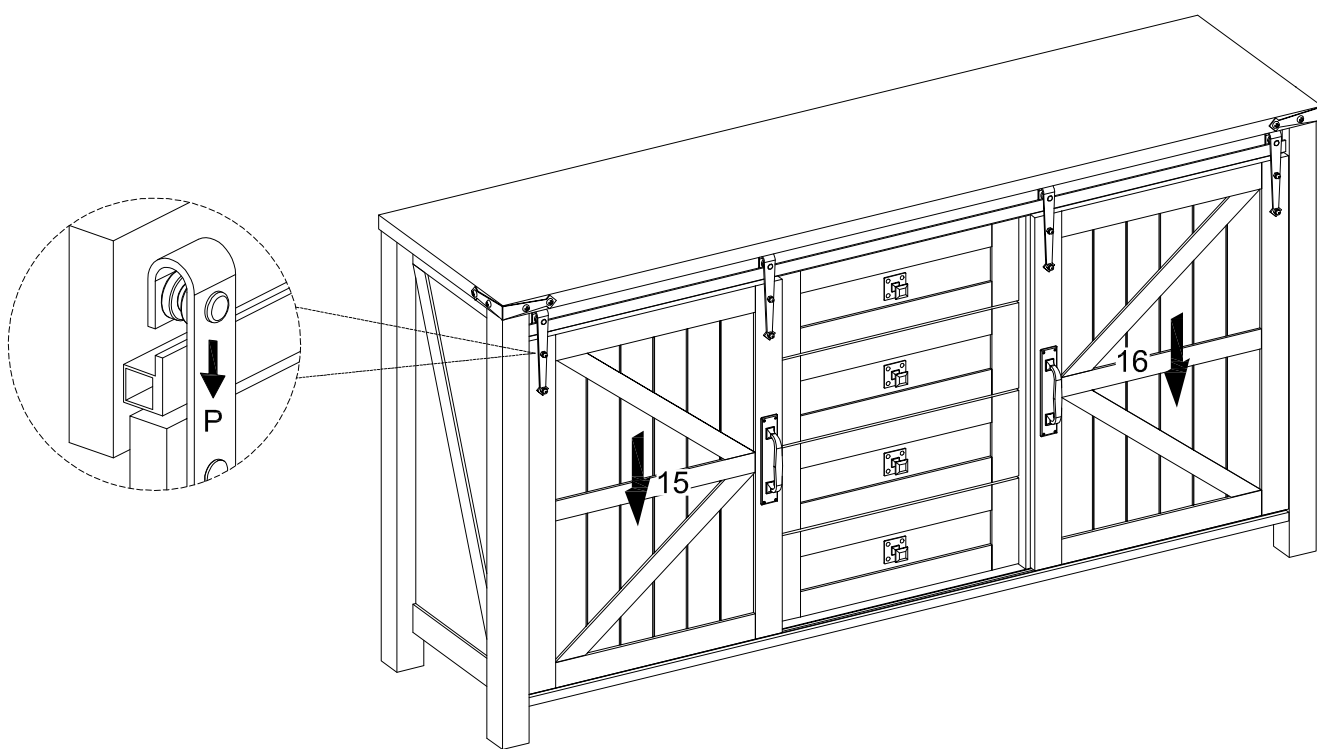
Step 23



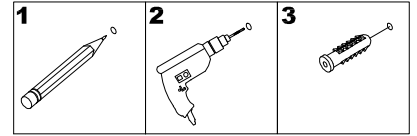
Step 24



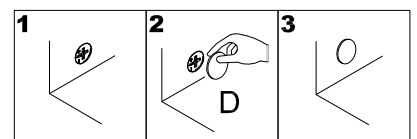
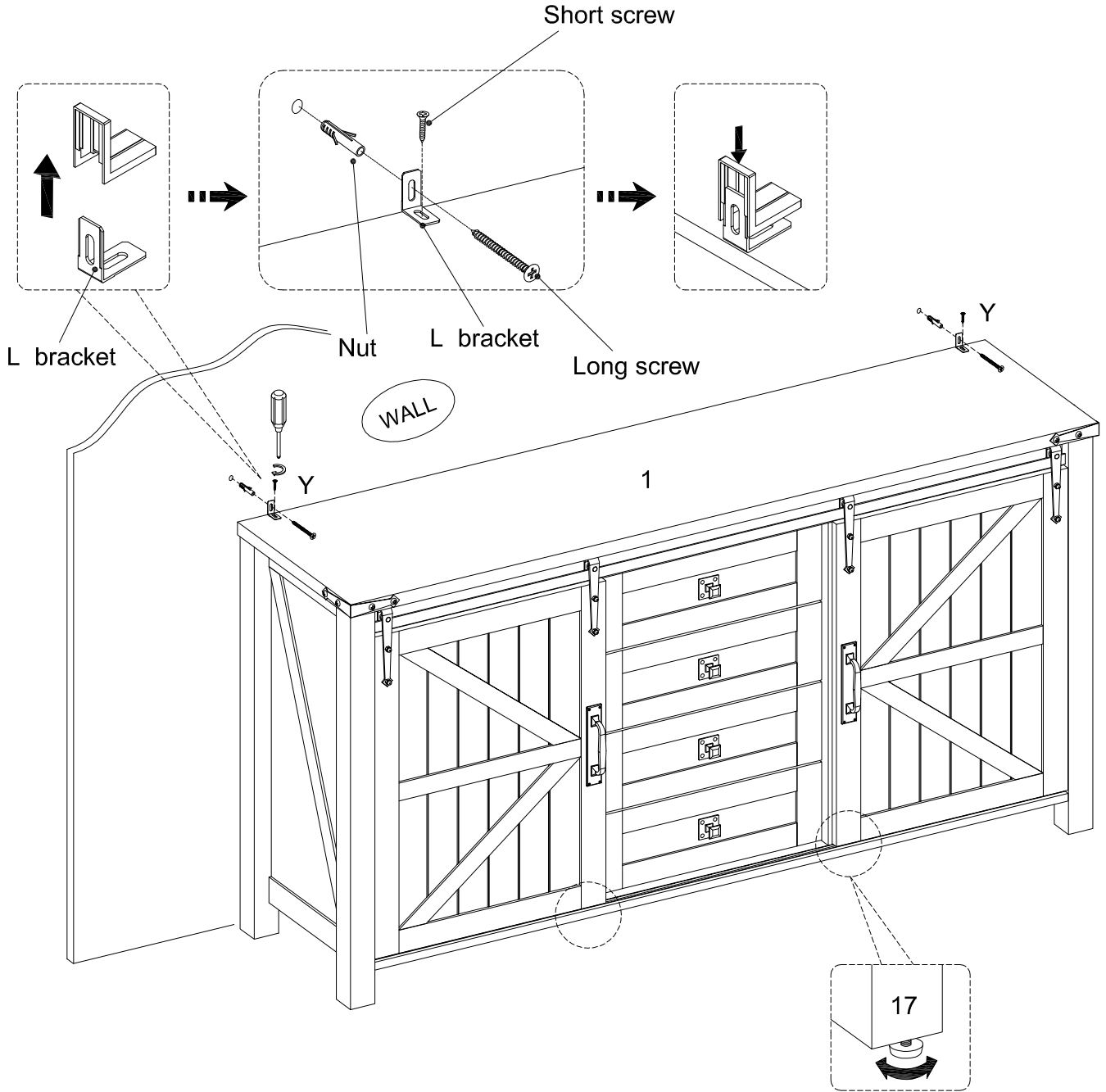
Step 25



Step 26



Serious or fatal injuries can occur from furniture tipping over. To prevent the furniture from tipping over we recommend that it is permanently fixed to the wall. Wall anchor and hardware are included with this product. Please make sure hardware is suitable for your walls before installing, as different wall materials may require different types of anchors.



Final Assembly