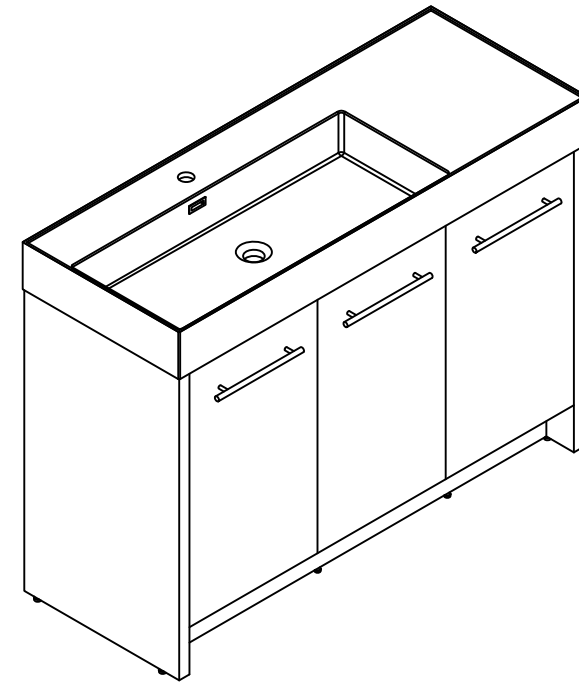


**Installation Manual-BV B09248**

**MOTIVATE  
YOUR LIFE !**

## THANKS FOR WATCHING

Your feedback is invaluable to us and we would love to hear about your experience. Please take the time to leave us a review.



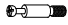







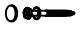








## Thank you for shopping with us!

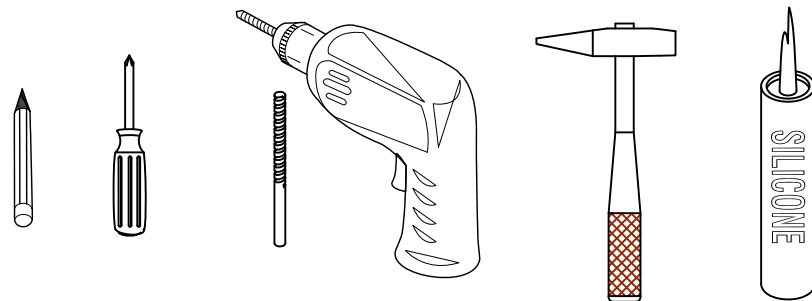
We encourage you to take a few minutes to go through this booklet. It contains important information on installation and care tips to keep your furniture looking as good as new.

# Item NO.:BV B09248

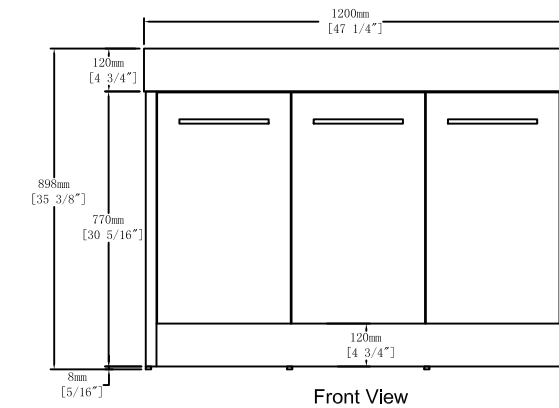
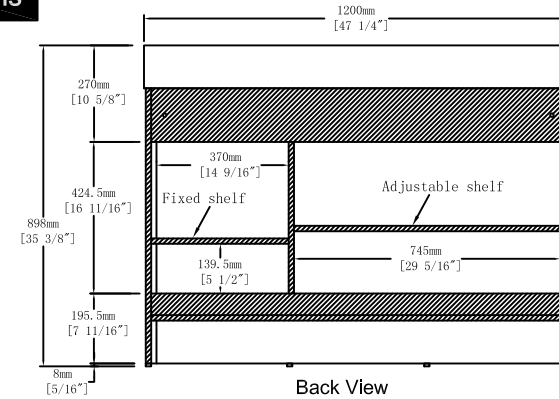
## Hardware

NO.	Draw	QTY	NO.	Draw	QTY
A	 Screws Ø4x14mm	56	J	 Hinges ( Half cover )	2
B	 Two-in-one connector	37	K	 Screws Ø4x25mm	1
C	 Two-in-one connector	37	L	 Handles	3
D	 Wood plug	7	M	 Screws ( M4x20mm )	6
E	 Plastic anchor(Ø10mm)	2	N	 Adjustable feet	6
F	 Screws for fix on the wall	2	O	 Anti-collision gasket	6
G	 Bracket (53x70x44mm)	2	P	 Movable laminate support	4
H	 Bracket (19x19x35mm)	2	Q	 Screwdriver	1
I	 Hinges ( Internal hiding )	4			

## Recommended tools



## Dimensions

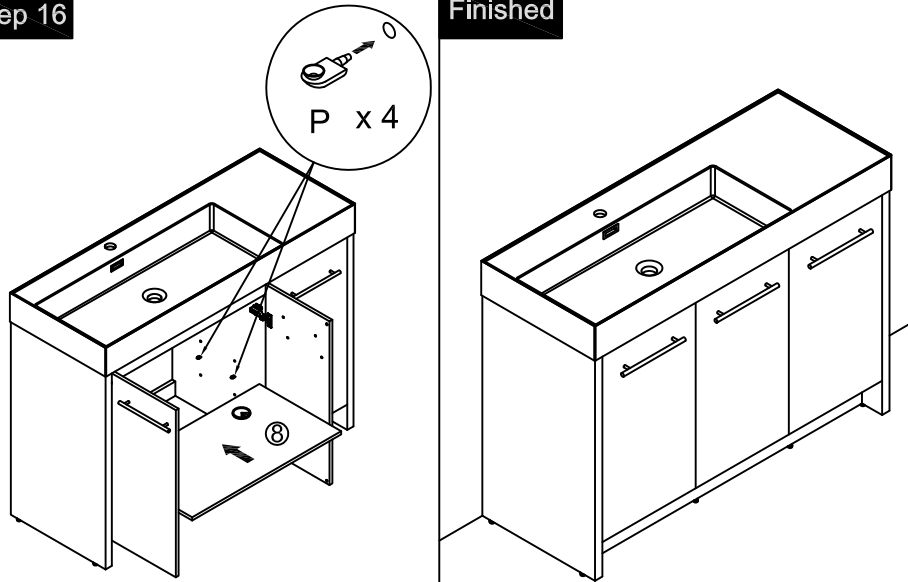


## CARE CLEANING AND MAINTENANCE

1. Dust regularly with a soft , dry cloth.
2. Avoid the use of all chemicals household cleaners, abrasives, or cleaners that contain lemon, vinegar, or other acids that may damage the finish.
3. Excessive exposure to sunlight and extreme changes in temperature and moisture can damage wood furniture.
4. The sink top is resilient, but care needs to be taken to preserve its appearance.
5. Do not place hot appliances, such as curling irons and hot hair dryers directly on the countertop. Wipe spills immediately.

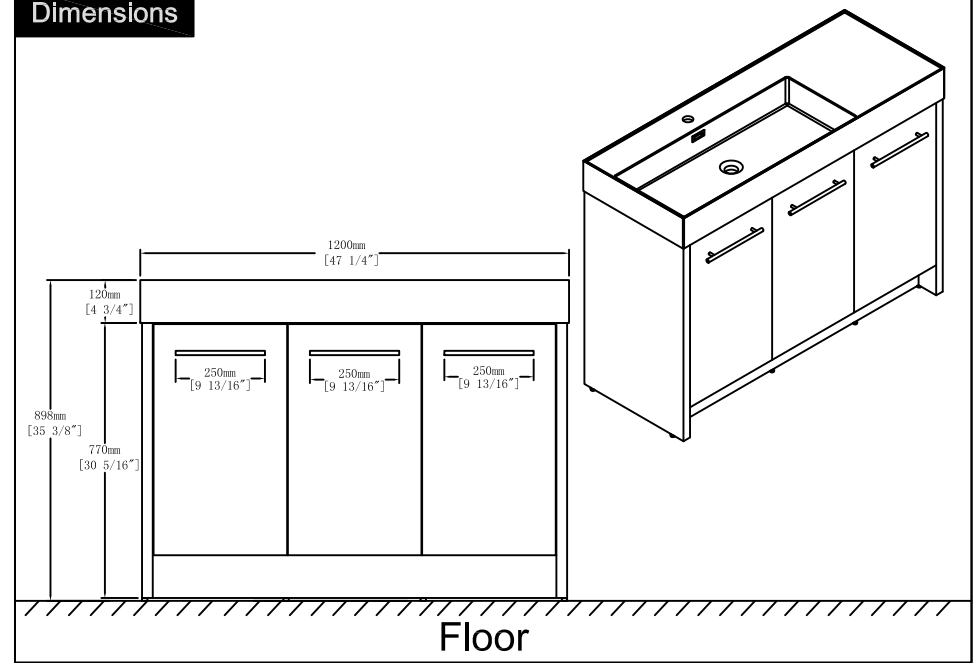
### Step 16

### Finished

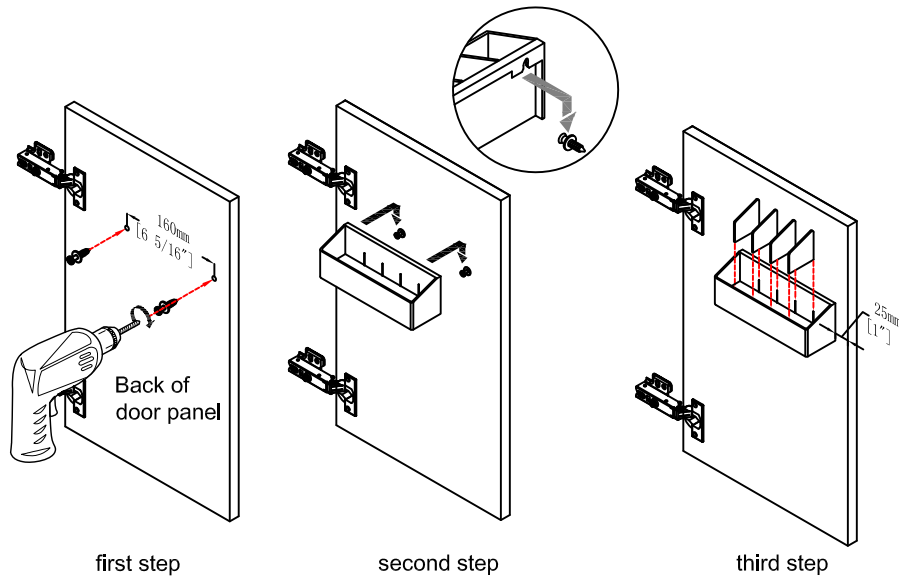


Notes:  
The installation position can be selected according to the required height.

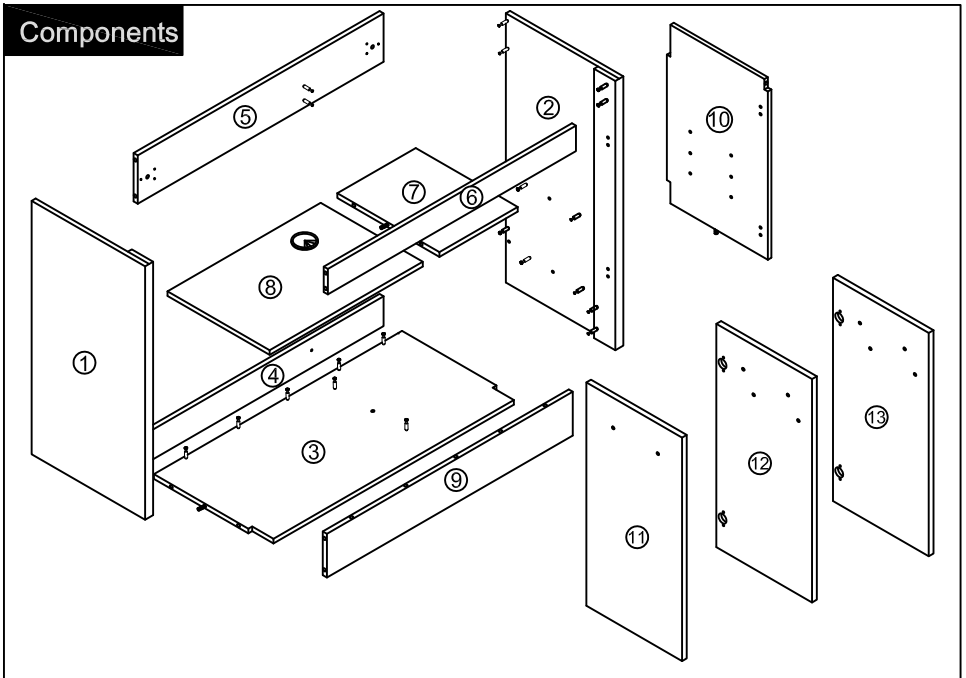
### Dimensions

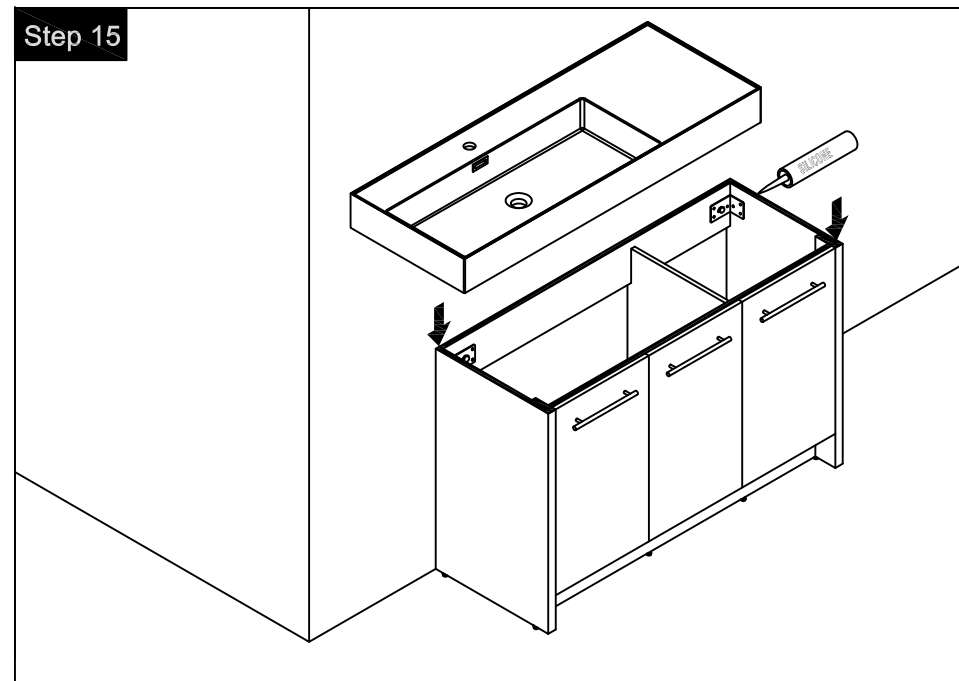
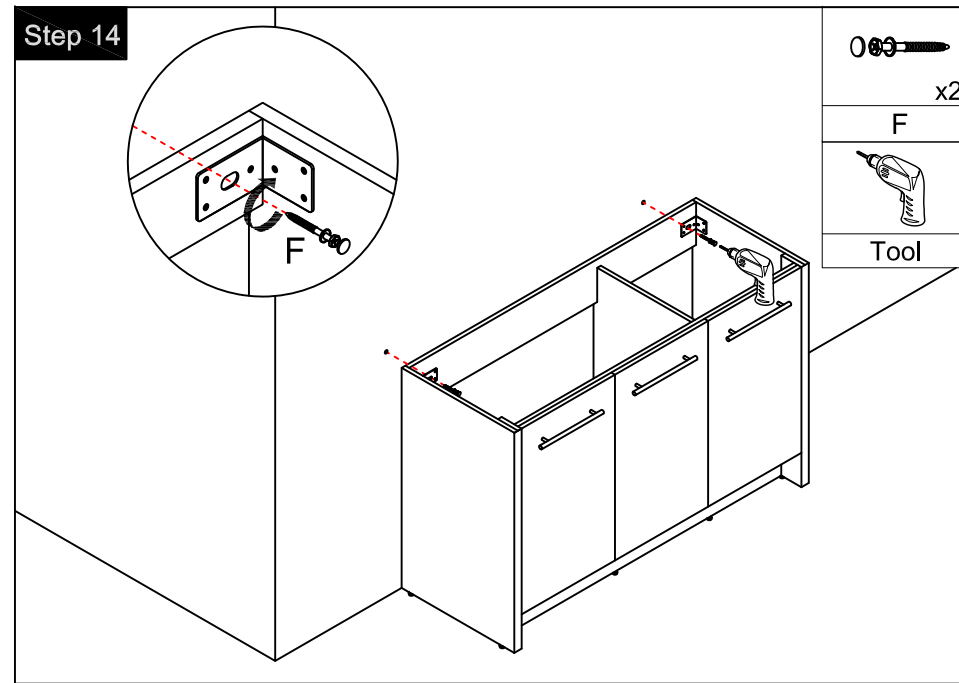
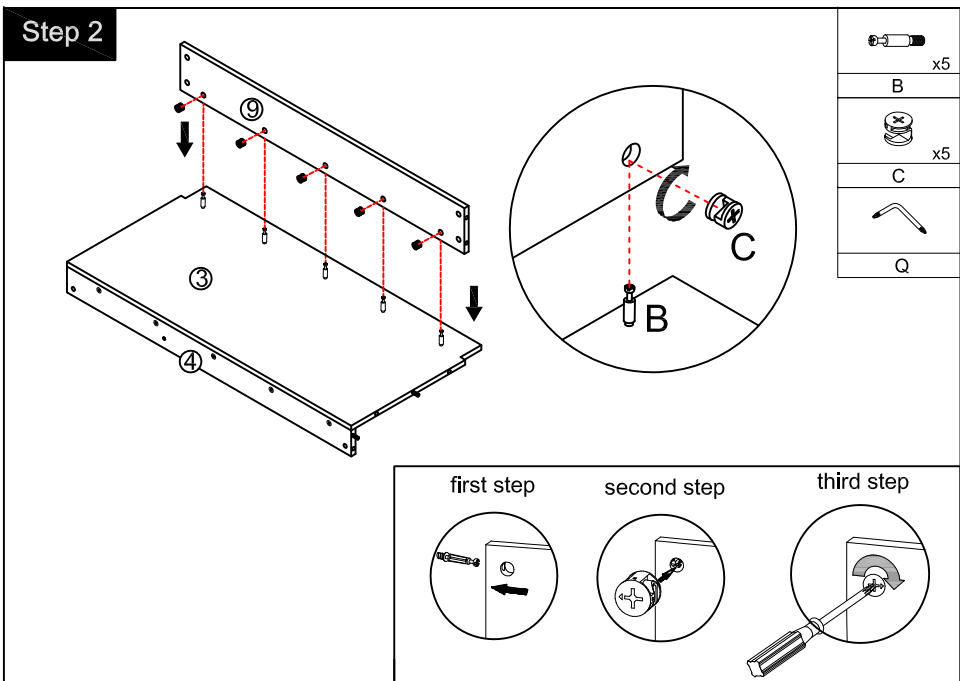
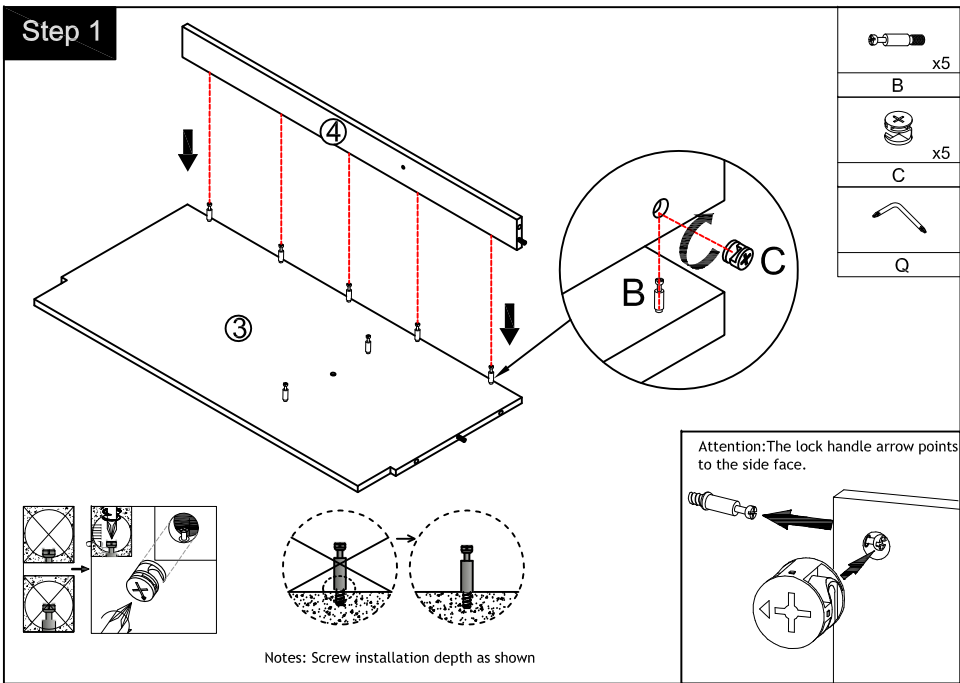


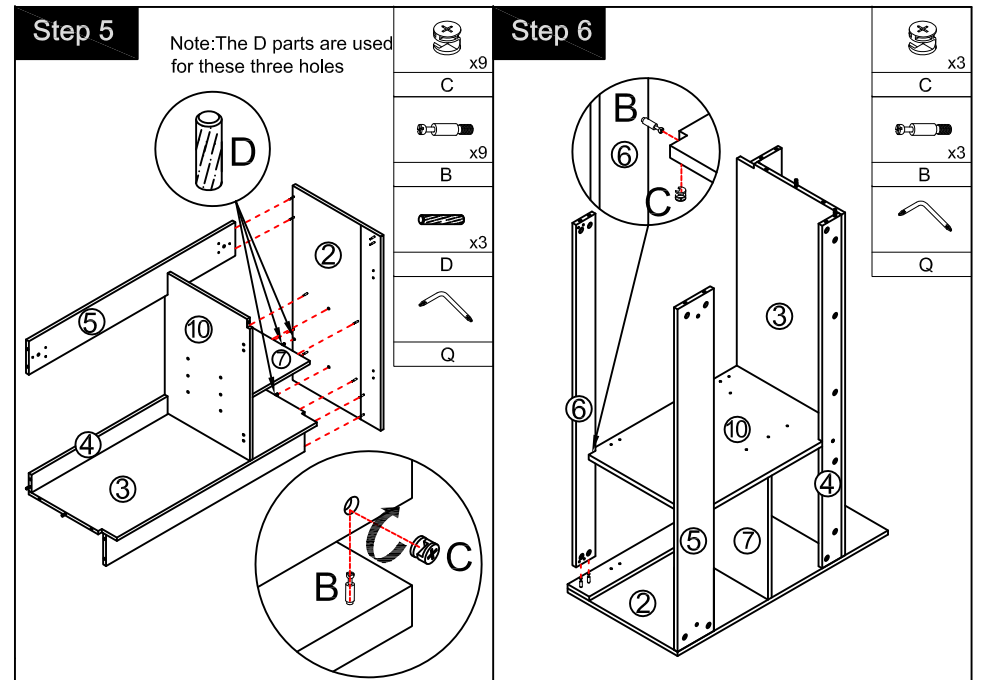
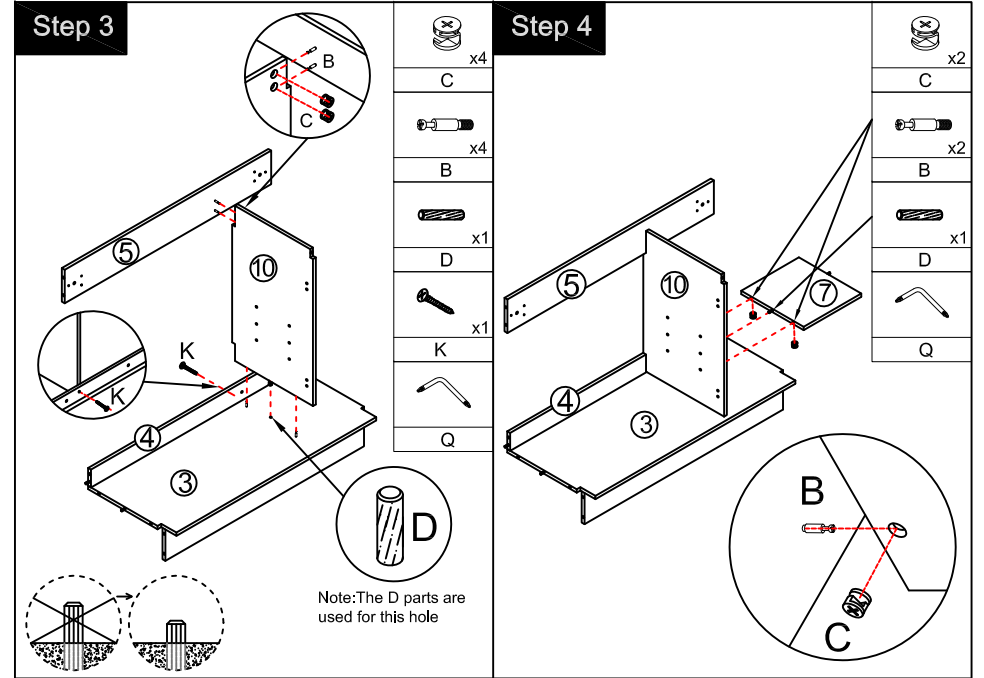
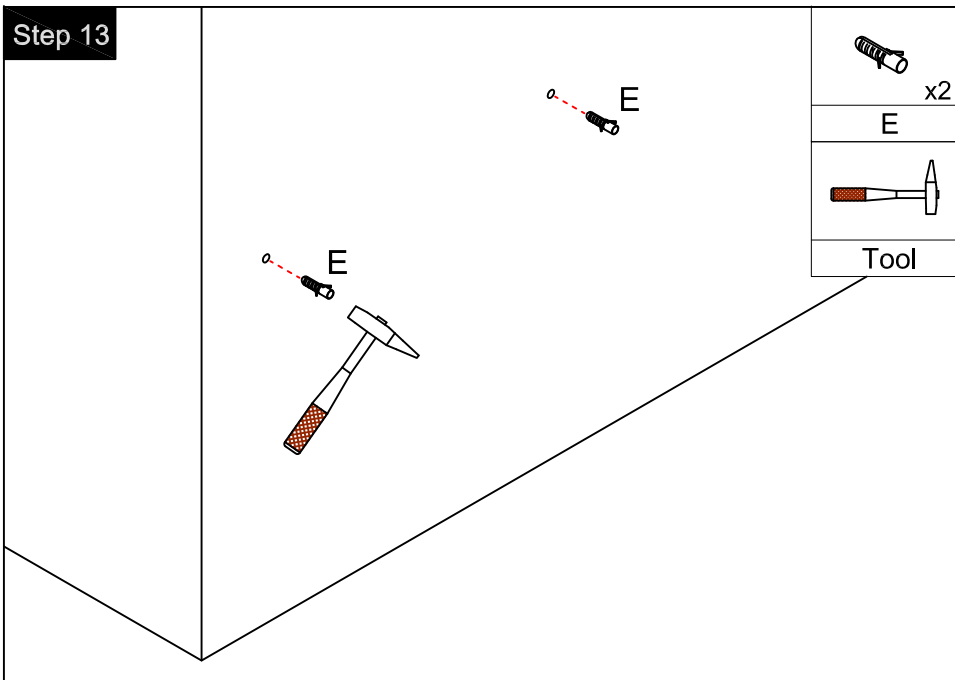
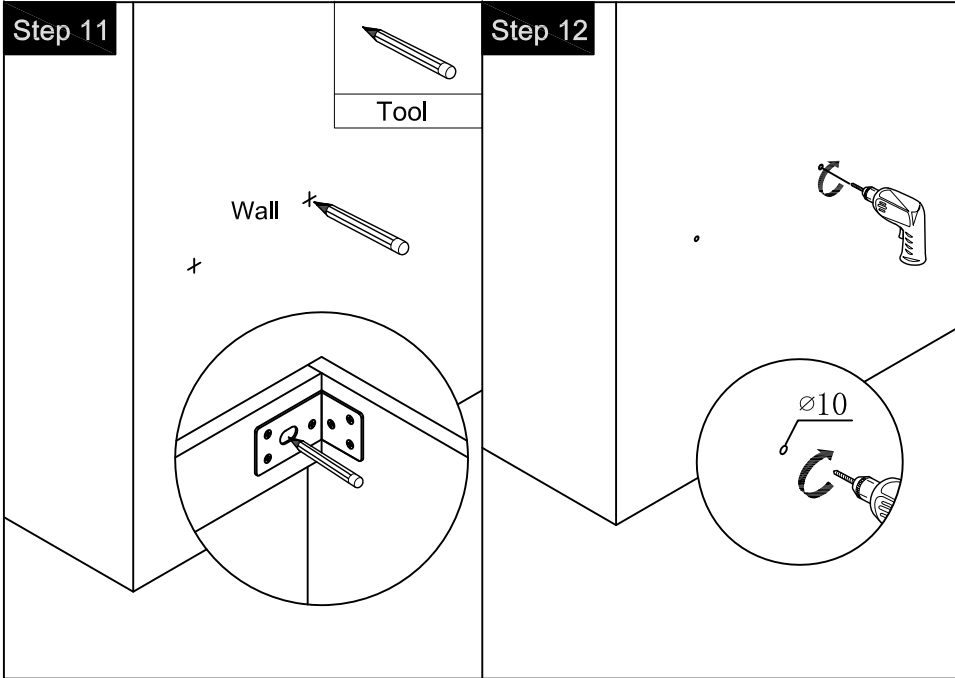
### Procedure for installing the plastic box



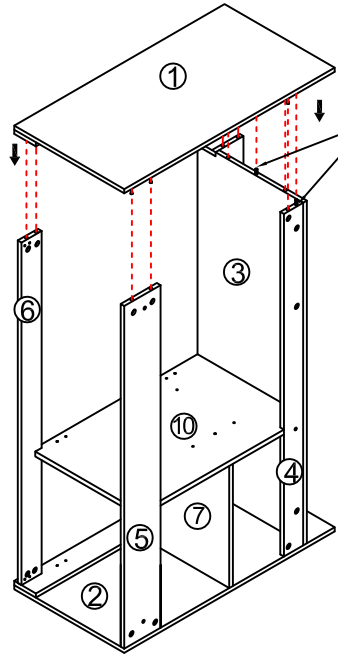
### Components





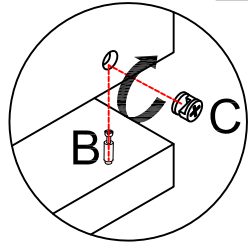


### Step 7

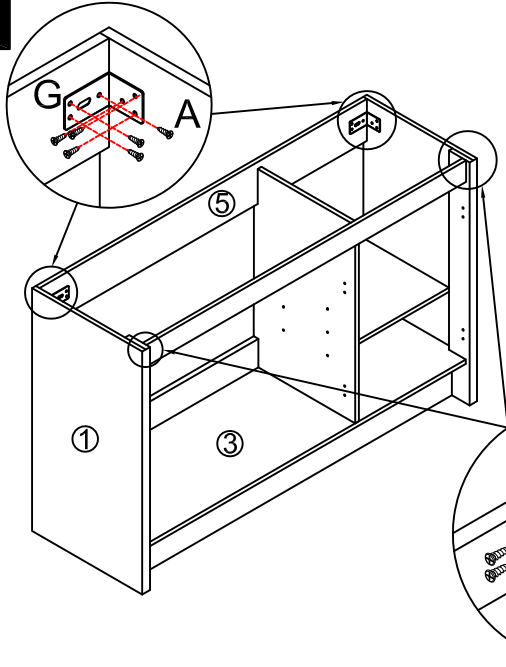


Note: The D parts are used for these two holes

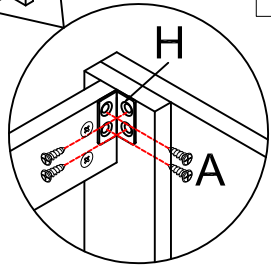
	x9
B	
	x9
C	
	x2
D	
Q	



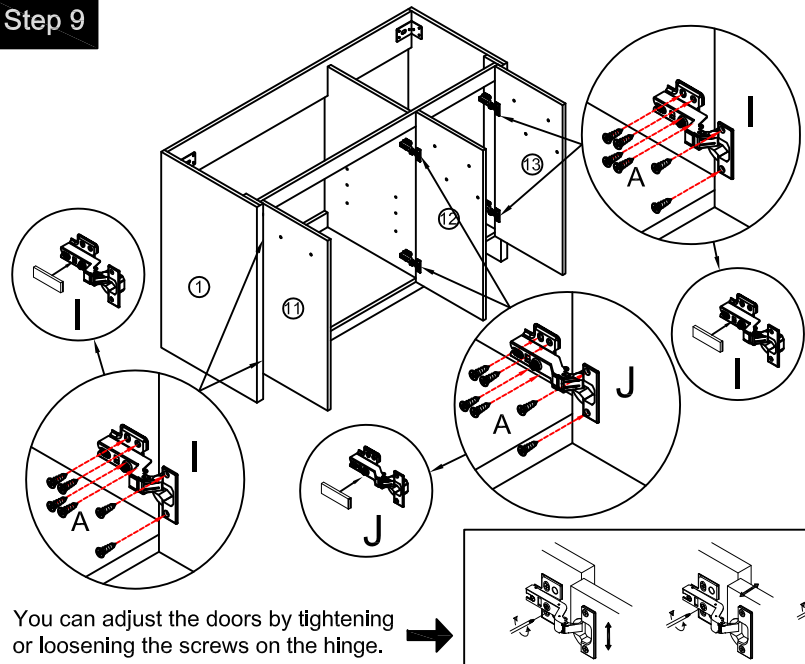
### Step 8



	x2
G	
	x2
H	
( $\varnothing 4 \times 14\text{mm}$ )	
	x20
A	
Tool	



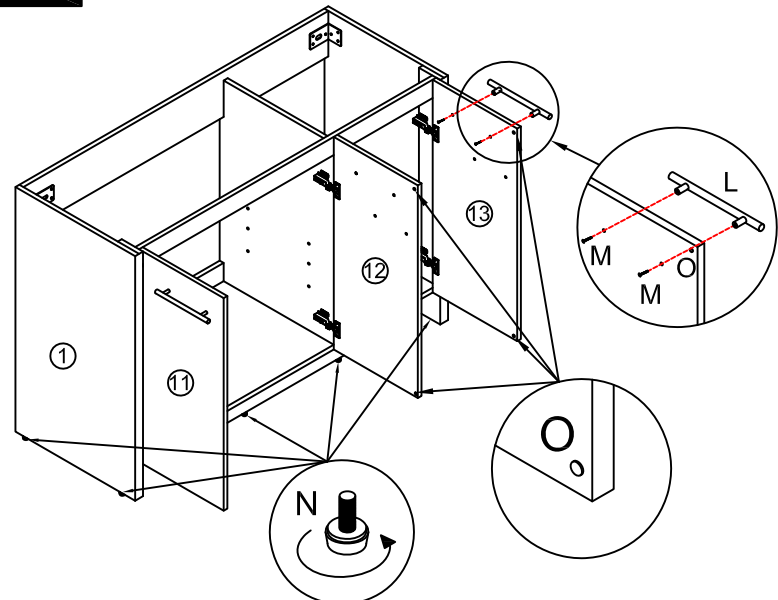
### Step 9



You can adjust the doors by tightening or loosening the screws on the hinge. →

	x4
I	
	x2
J	
( $\varnothing 4 \times 14\text{mm}$ )	
	x36
A	
Tool	

### Step 10



Note: Install and adjust the level screws

	x3
L	
(M4 x20mm)	
	x6
M	
	x6
O	
	x6
N	