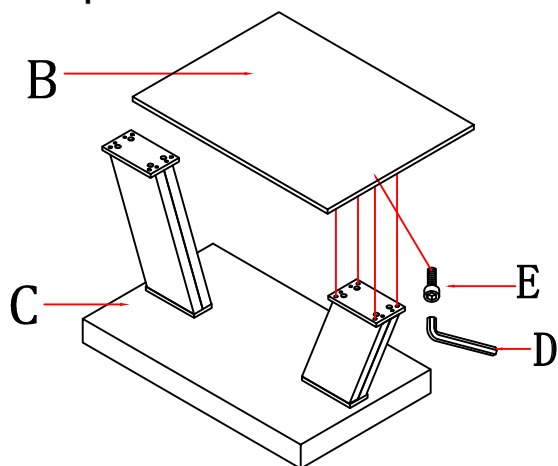


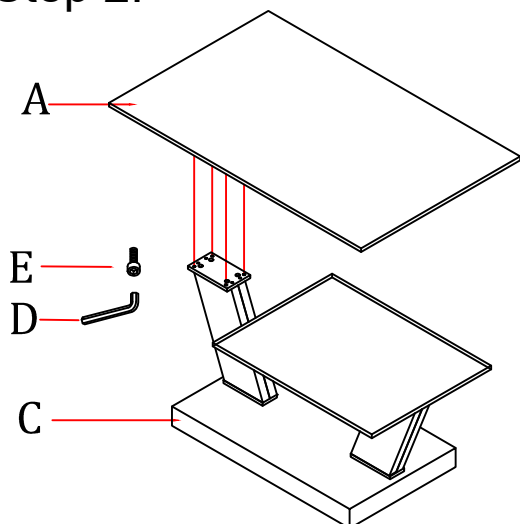
ASSEMBLY INSTRUCTION

Thank you for purchasing this quality product, be sure to check all the packing materials carefully. when you received, please pay attention to the products, which may cause deformed during the shipment.

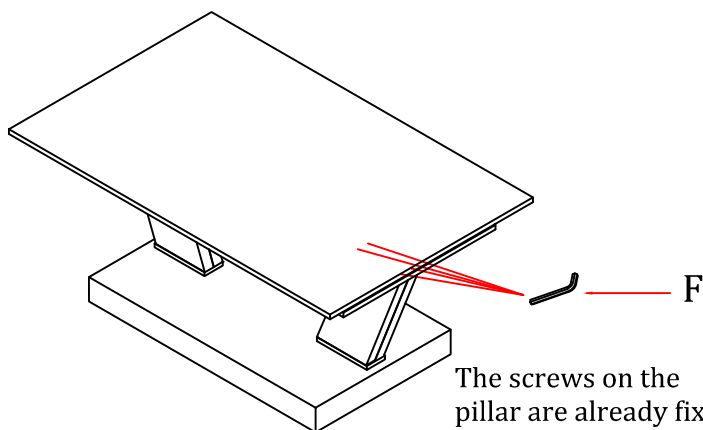
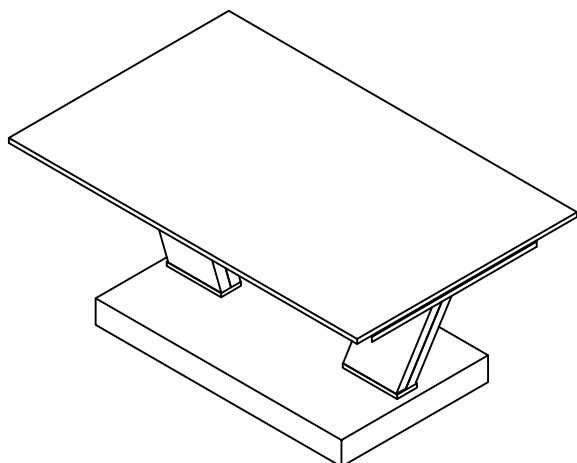
Step 1:



Step 2:



FINISHED



The screws on the pillar are already fixed, please loosen them to adjust the level.

PART LIST:

NO.	Description	Sketch	Quantity
A	Table top		1pc
B	Table top		1pc
C	Table base		1pc

HARDWARE LIST:

NO.	Description	Sketch	Size	Quantity
D	Allen key		5mm	1pc
E	Bolt		M6*10	8pcs
F	Allen key		3mm	1pc