
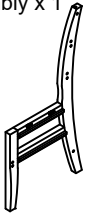
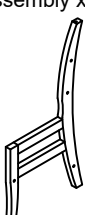


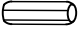



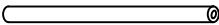

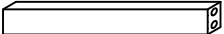
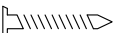
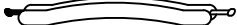
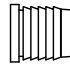


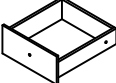


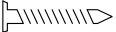
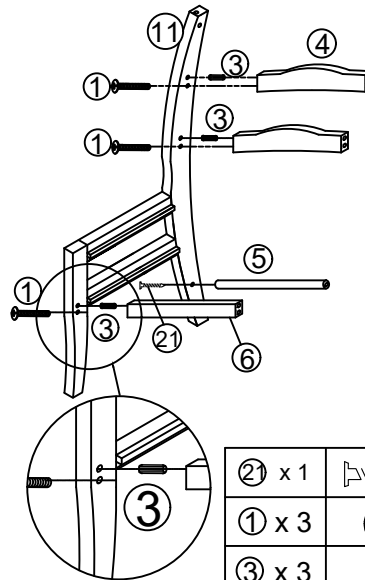


ASSEMBLY INSTRUCTION

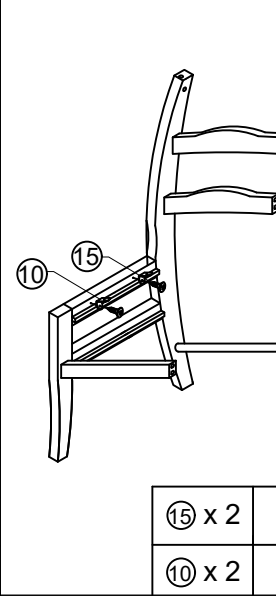
COMPONENTS LIST

- | | | |
|---|---|---|
| ① Machine Screw x 8
 | ⑪ Leg & Stile Assembly x 1
 | ⑫ Leg & Stile Assembly x 1
 |
| ② Screw Hole Plug x 10
 | ⑬ Clothes Hanger x 1
 | |
| ③ Wooden Dowel x 6
 | ⑭ Hanger Support Bracket x 1
 | |
| ④ Mid Back Rail x 2
 | ⑮ Wood Screw x 8
 | |
| ⑤ Back Stretcher x 1
 | ⑯ Trousers Bar x 1
 | |
| ⑥ Front Stretcher x 1
 | ⑰ Wood Screw x 2
 | |
| ⑦ Top Back Rail x 1
 | ⑱ Drawer Stop x 2
 | |
| ⑧ Seat x 1
 | ⑲ Drawer Pull x 1
 | |
| ⑨ Drawer x 1
 | ⑳ Handle Screw x 1
 | |
| ⑩ Angle Iron x 4
 | ㉑ Wood Screw x 2
 | |

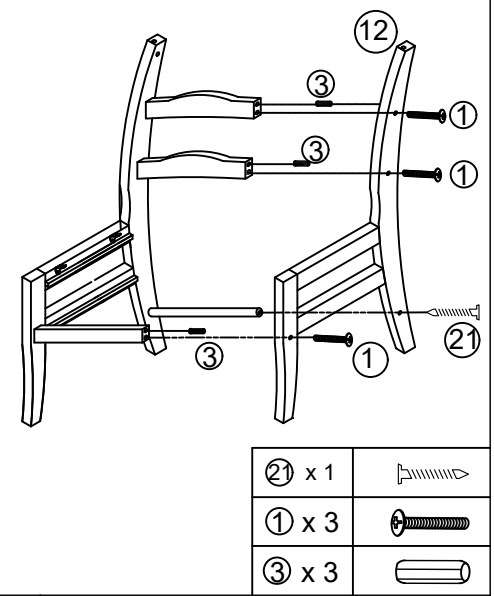
STEP 1



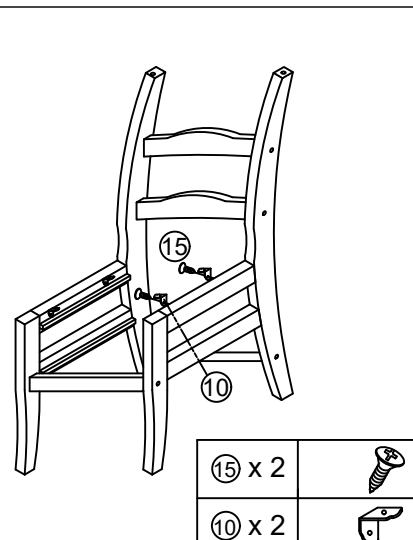
STEP 2



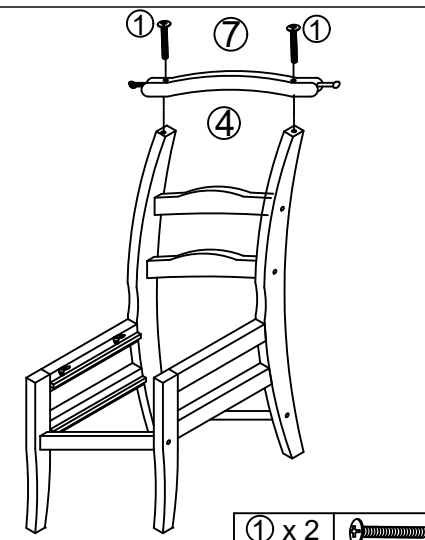
STEP 3



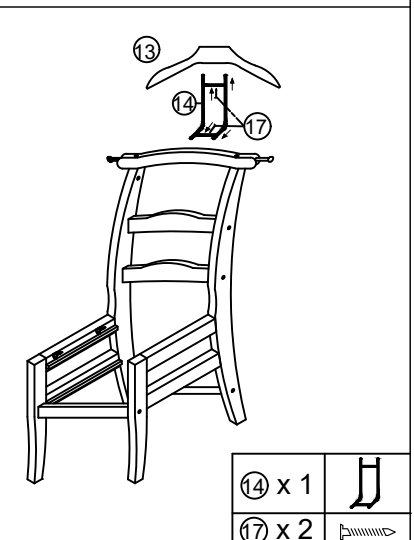
STEP 4



STEP 5



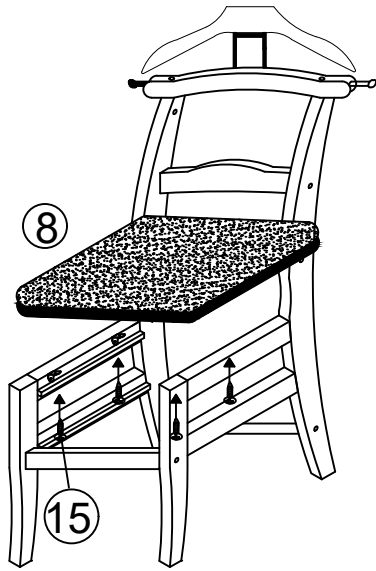
STEP 6

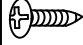


For missing parts or replacement, you may contact your merchant or its distribution center.

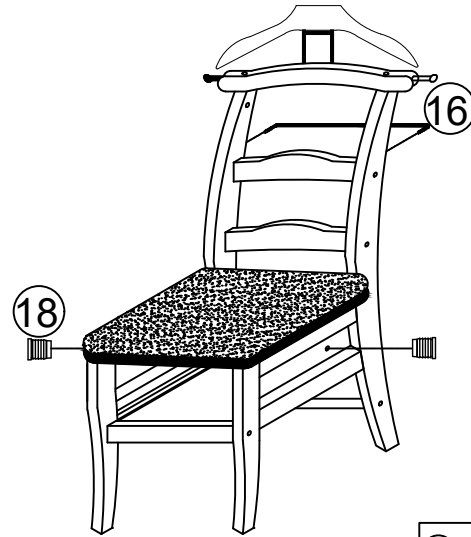
For any other questions, please contact Customer Service Department of the merchant from where you placed your order.



STEP 7



15 x 4	
--------	---



STEP 8



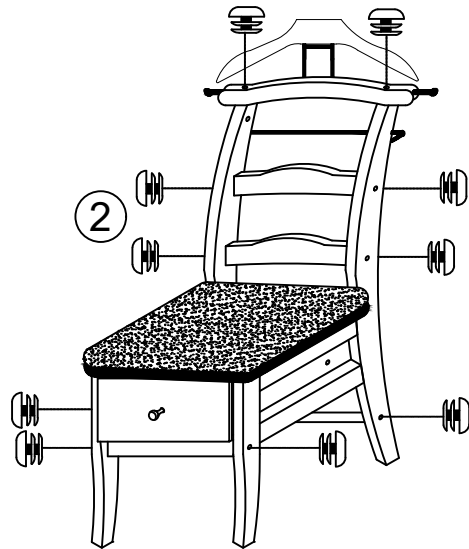
16 x 1	
18 x 2	

STEP 9




19 x 1	
20 x 1	

STEP 10



Completed

2 x 10	
--------	---

For missing parts or replacement , you may contact your merchant or its distribution center.

For any other questions, please contact Customer Service Department of the merchant from where you placed your order.