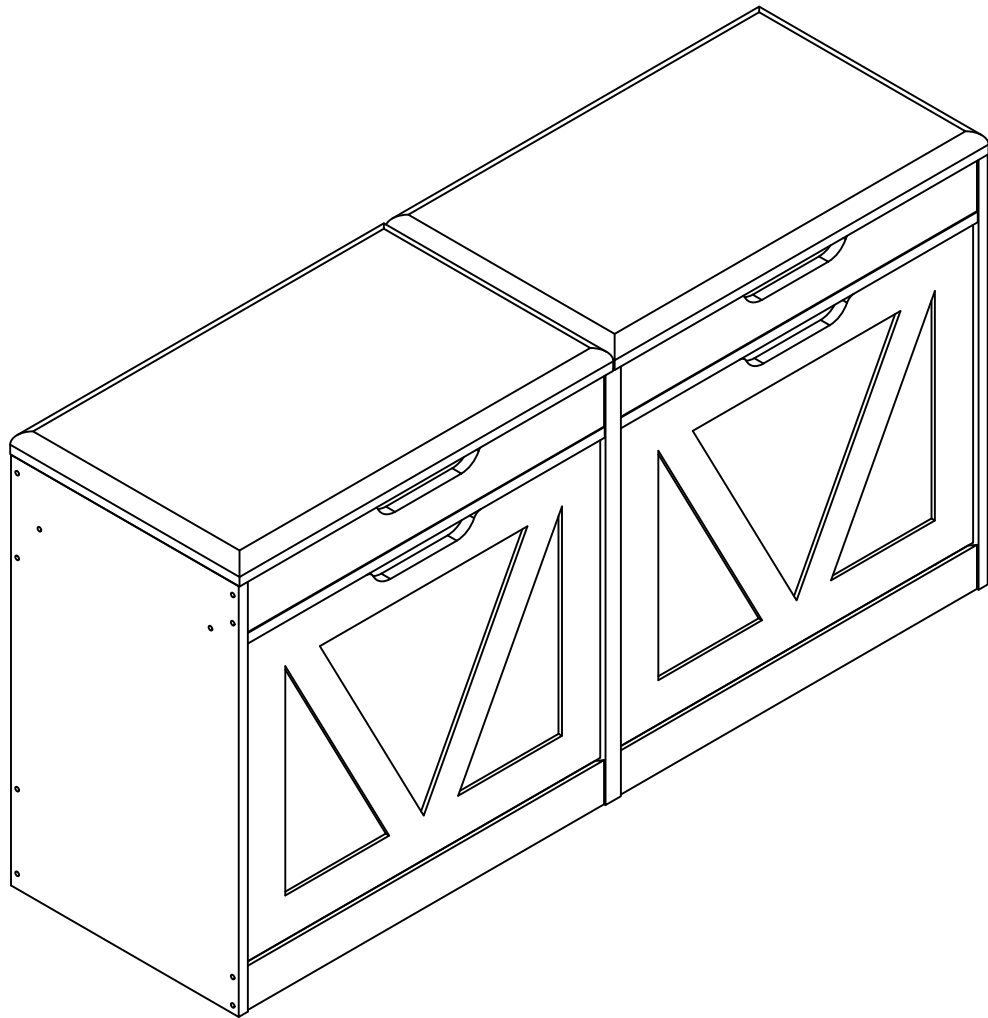



Shoe Storage Cabinet

Item # HS202507-22

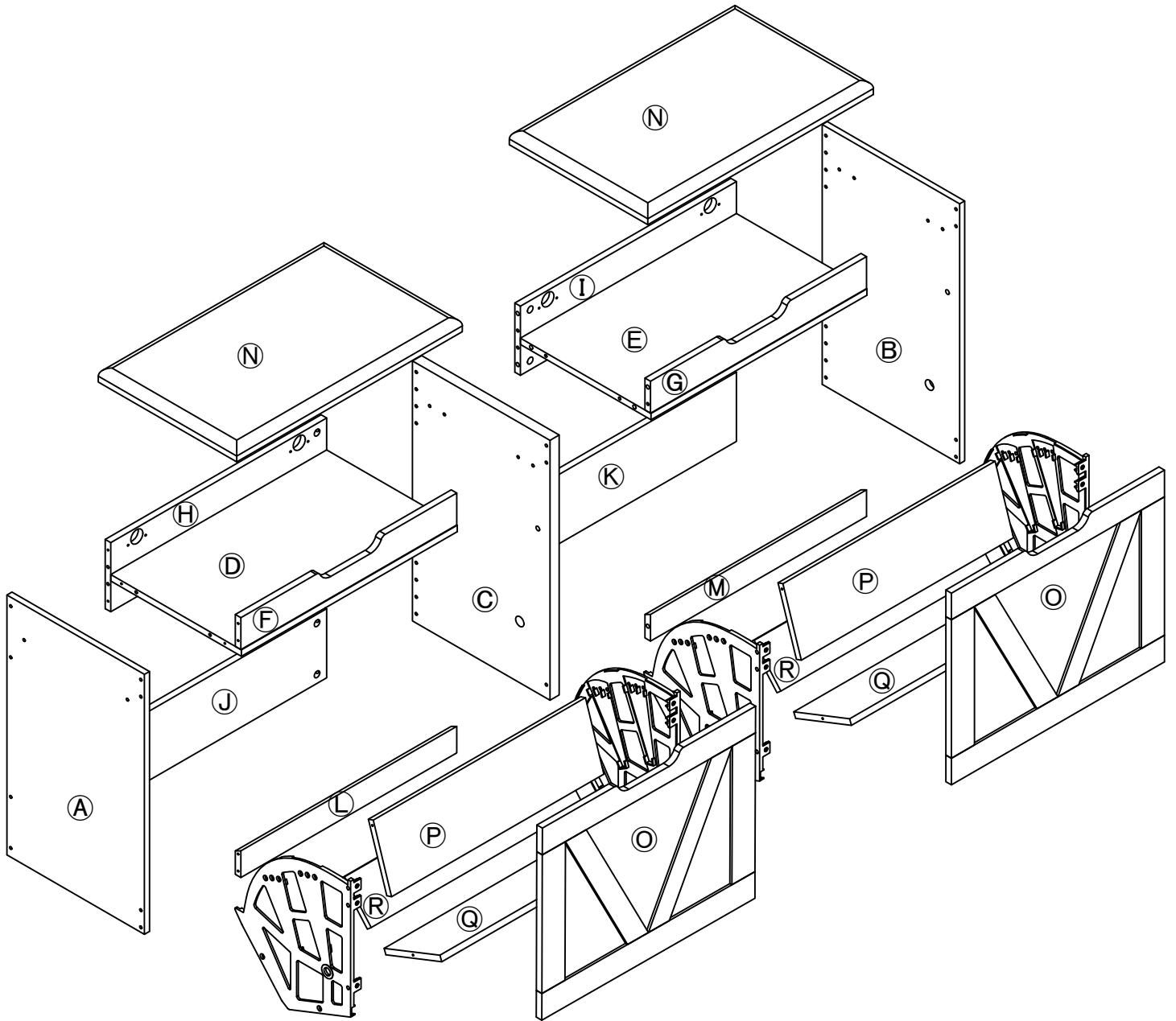
INSTRUCTION



 Part of the steps suggest
two people install

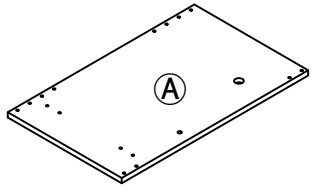
Main Components

Please check you have all the parts listed below

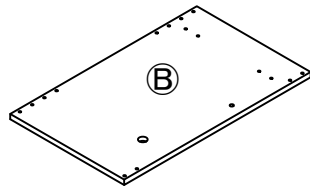


Component Panels & Part List

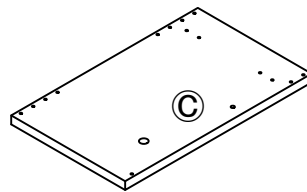
Please check you have all the panels are listed below.



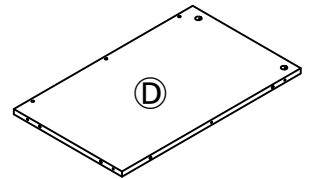
Qty:1pc



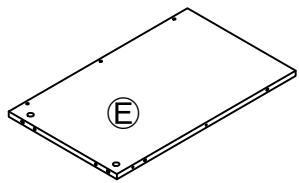
Qty:1pc



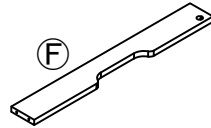
Qty:1pc



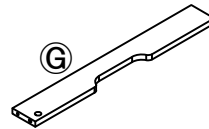
Qty:1pc



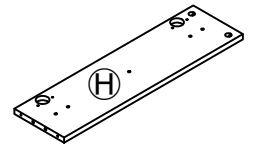
Qty:1pc



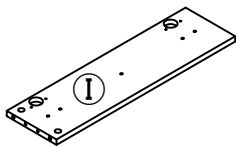
Qty:1pc



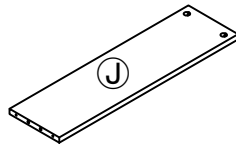
Qty:1pc



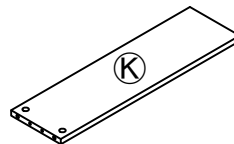
Qty:1pc



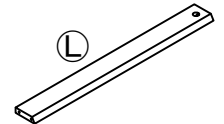
Qty:1pc



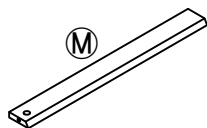
Qty:1pc



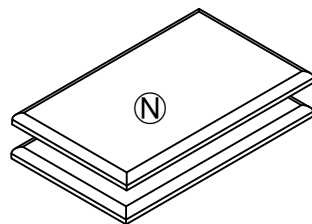
Qty:1pc



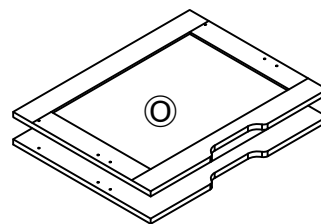
Qty:1pc



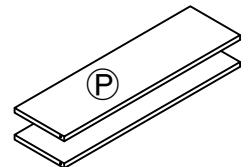
Qty:1pc



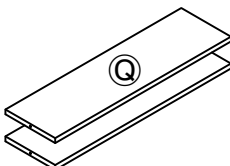
Qty:2pcs



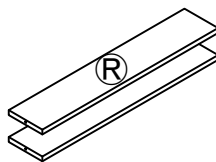
Qty:2pcs



Qty:2pcs



Qty:2pcs

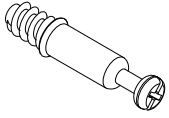


Qty:2pcs

Fixings, Fittings And Tools

Please check all the fittings listed below

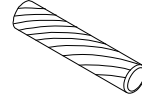
Note: The quantities below are the correct amount to complete the assembly. In some case more fittings may be supplied than be required.



① Ø6*L27mm
16pcs



② Ø12*9mm
16pcs



③ Ø5*30mm
34+1pcs



④ Ø8*Ø4*38mm
32pcs



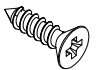
⑤ Ø8*Ø4*12mm
24+1pcs



⑥ Ø7*Ø4*8mm
4pcs



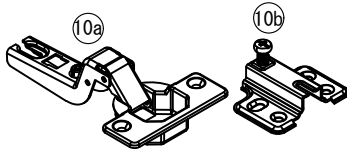
⑦ Ø8*Ø4*14mm
12pcs



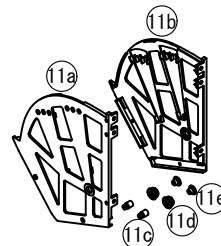
⑧ Ø7*Ø3.5*15mm
12pcs



⑨ Ø12*3.9mm
20+2pcs



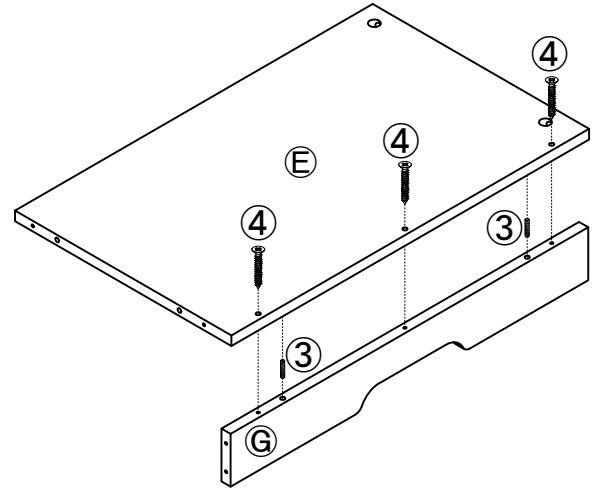
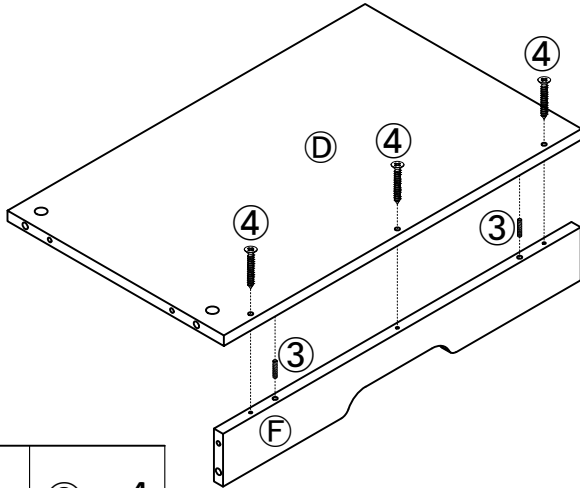
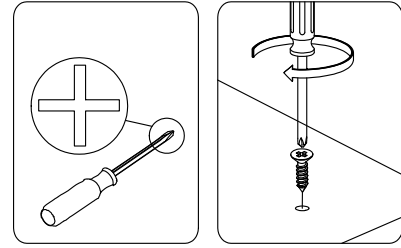
⑩ Ø26mm
4sets

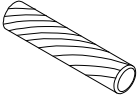



⑪ 302*250*22mm
2sets

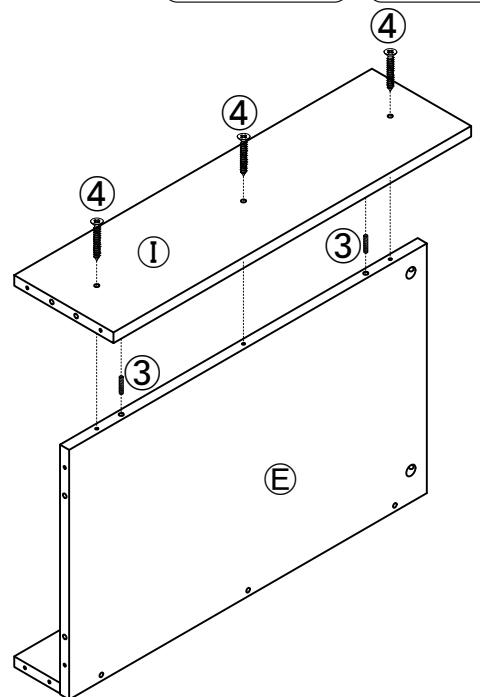
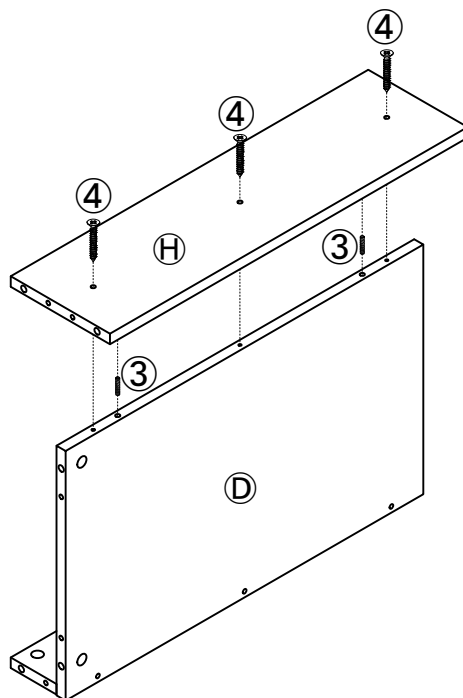
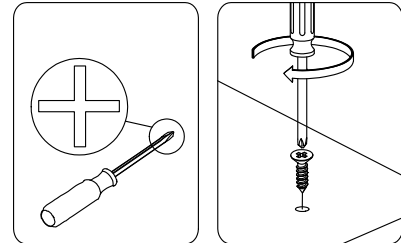
Assembly Step


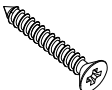
Step 1



	③ x 4
	④ x 6

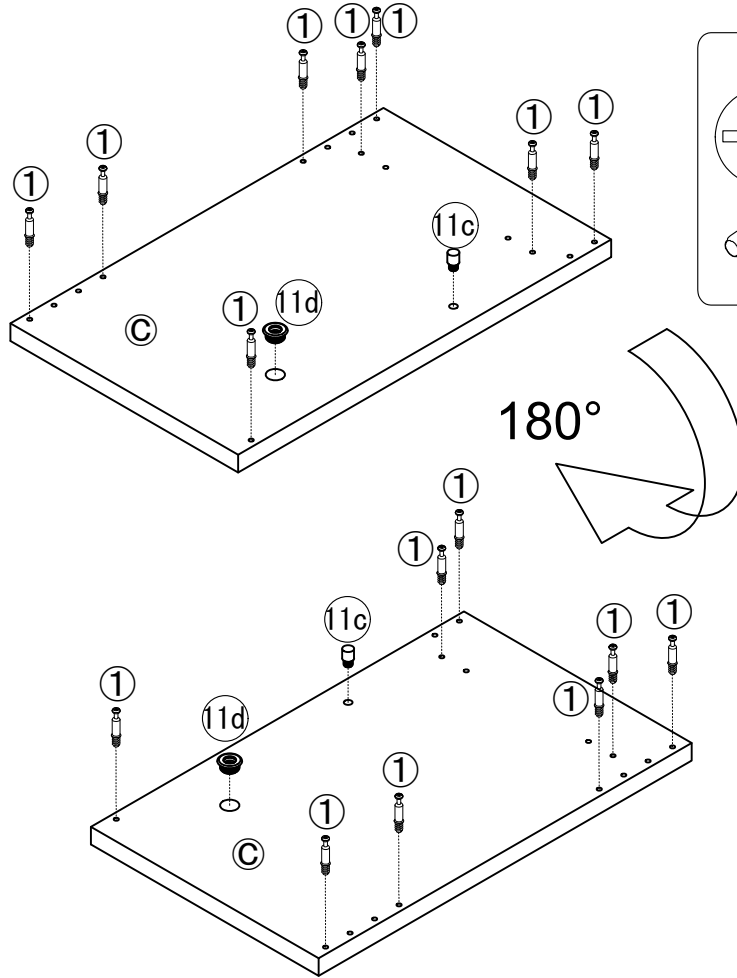
Step 2



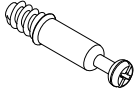


	③ x 4
	④ x 6

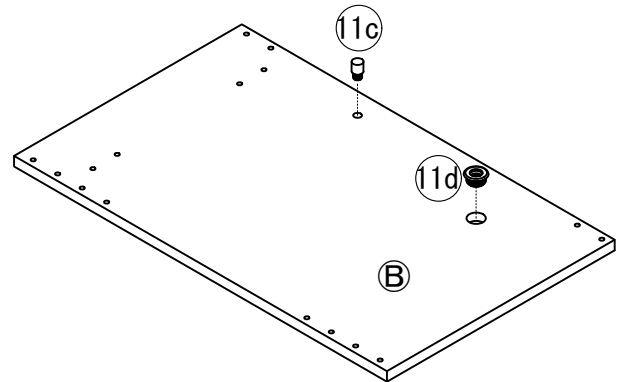
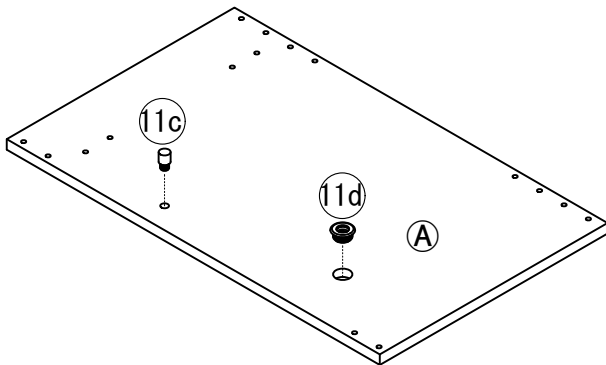
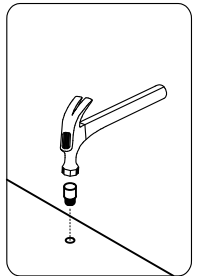
Assembly Step



Step 3



	①1c x 2
	①1d x 2
	① x 16

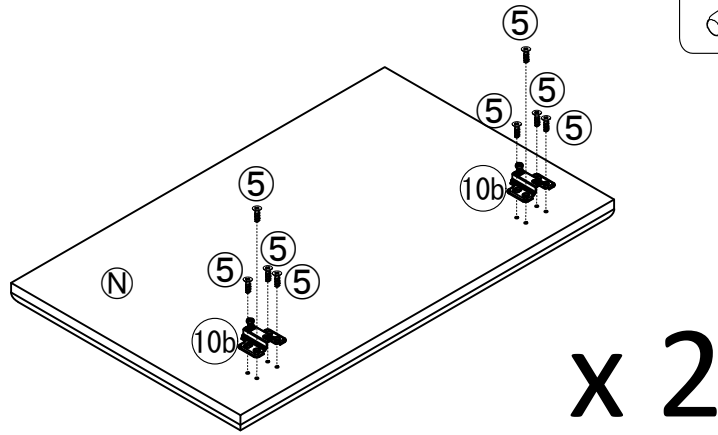
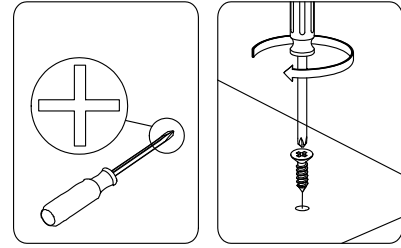
Step 4


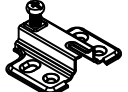


	①1c x 2
	①1d x 2

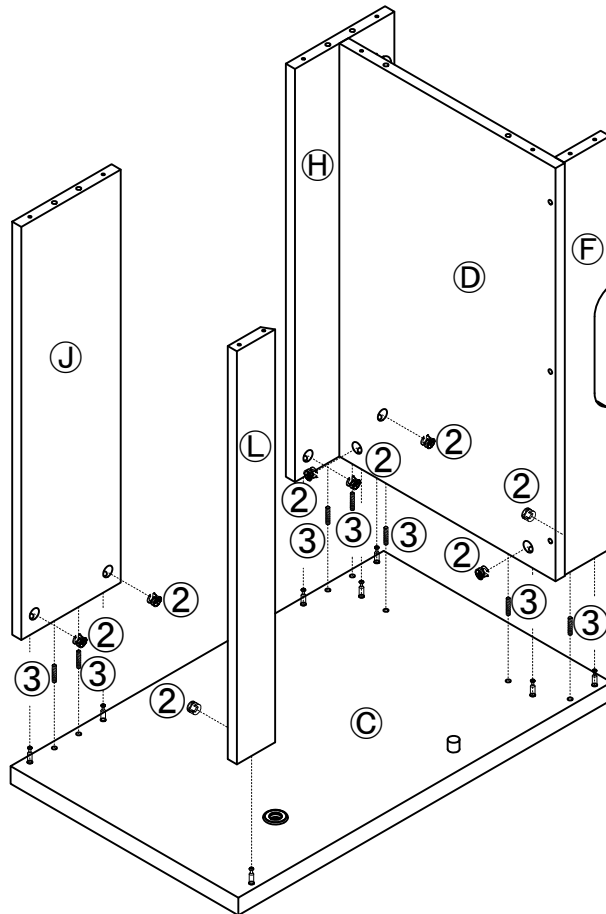
Assembly Step


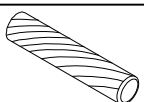
Step 5

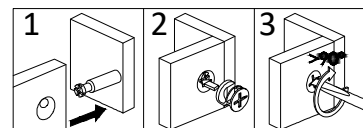


	⑤ x 16
	⑩b x 4

Step 6

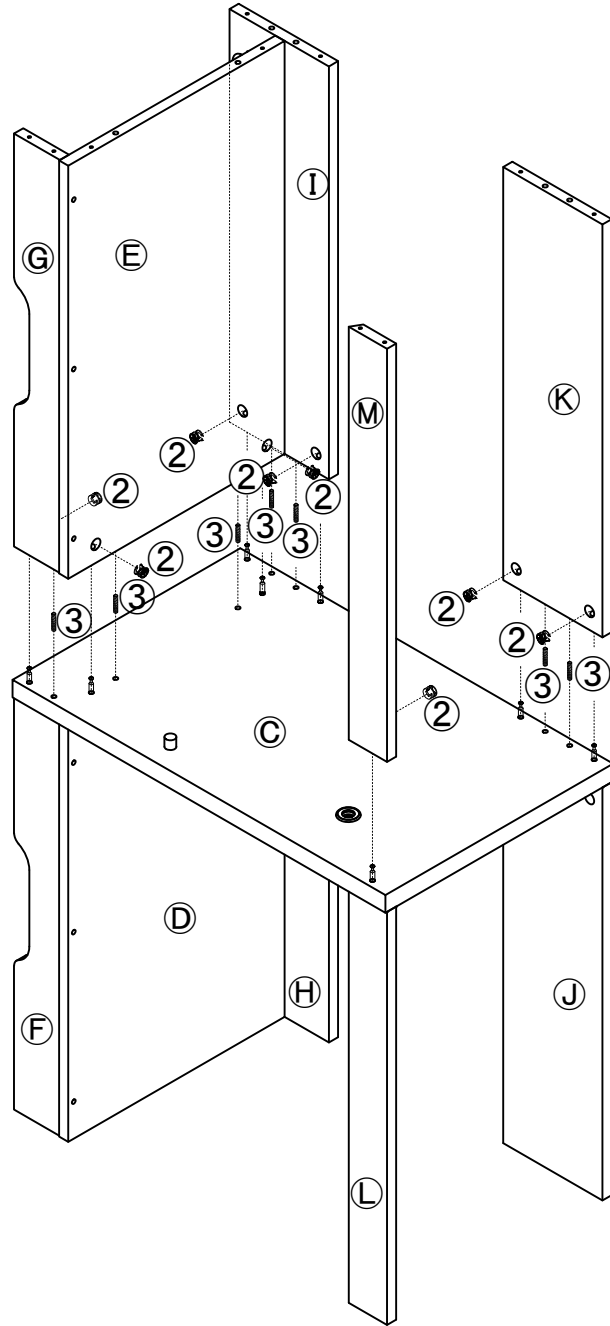



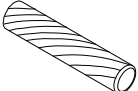
	② x 8
	③ x 7

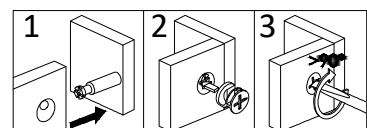


Assembly Step

Step 7

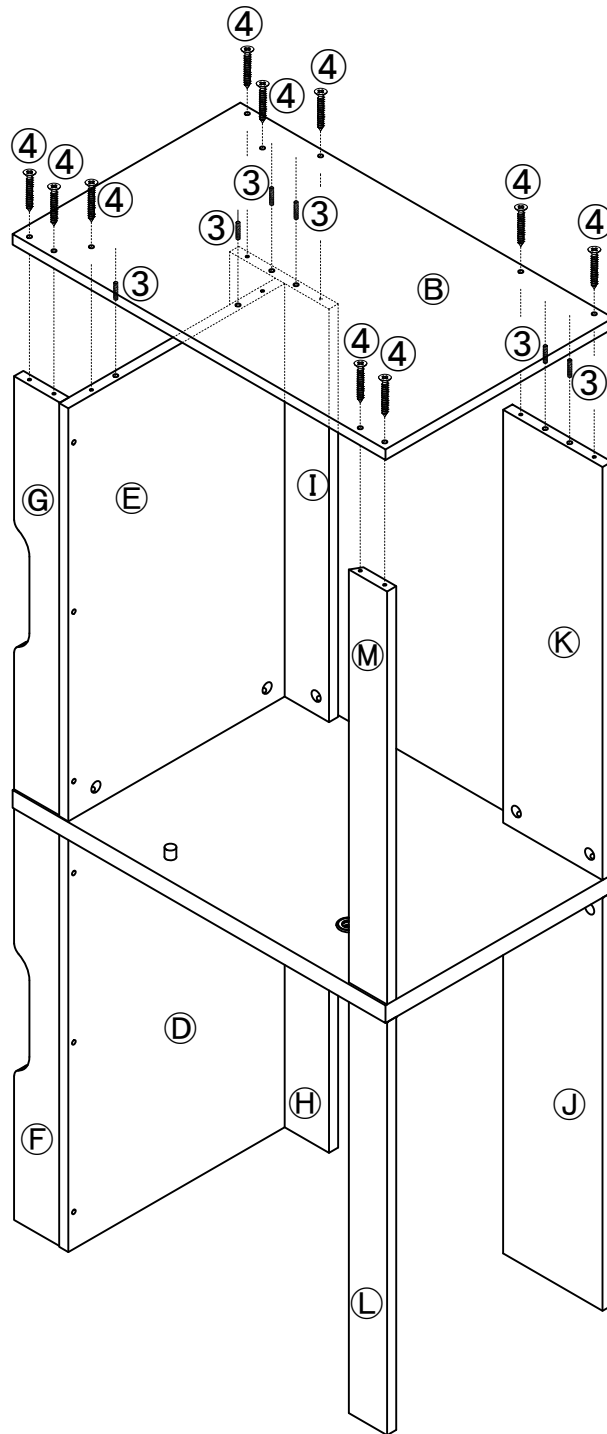
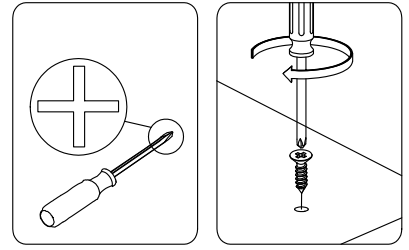


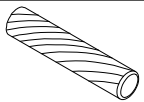

	② x 8
	③ x 7



Assembly Step

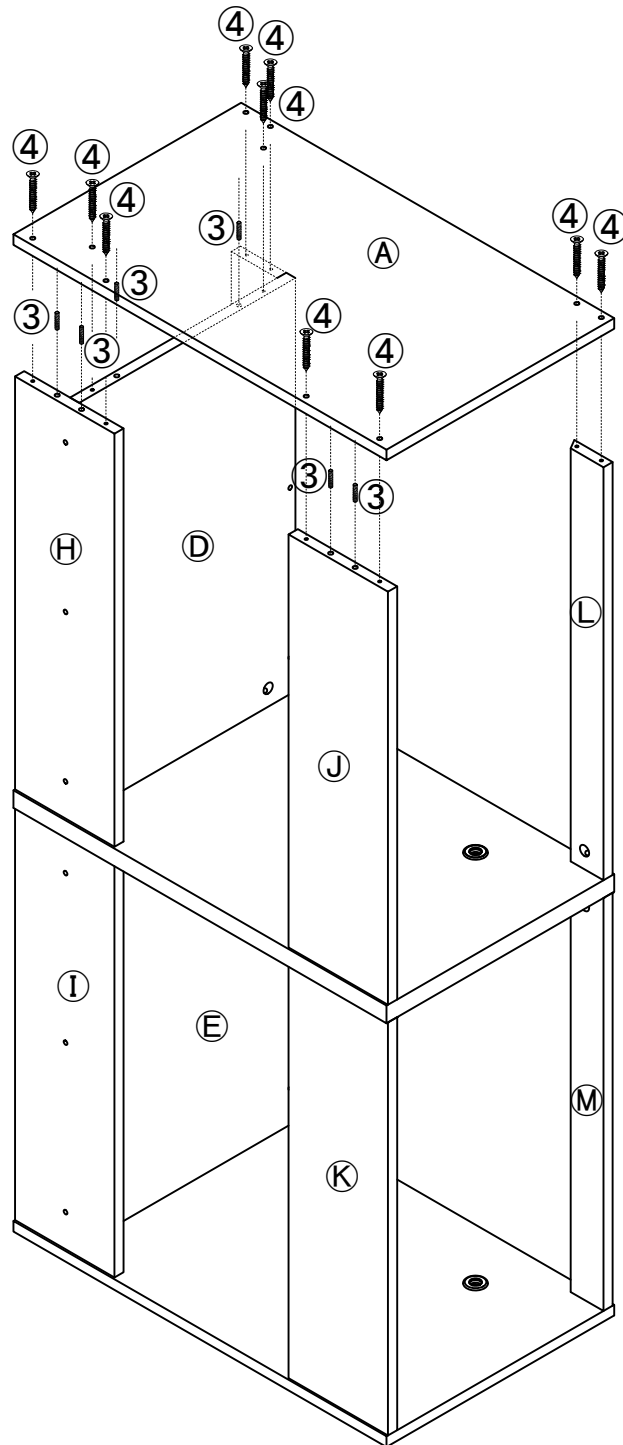
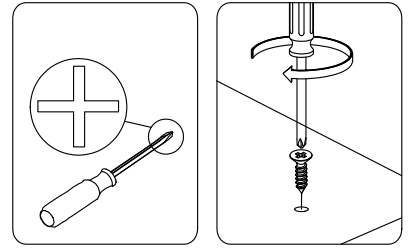
Step 8

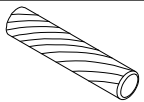



	③ x 6
	④ x 10

Assembly Step

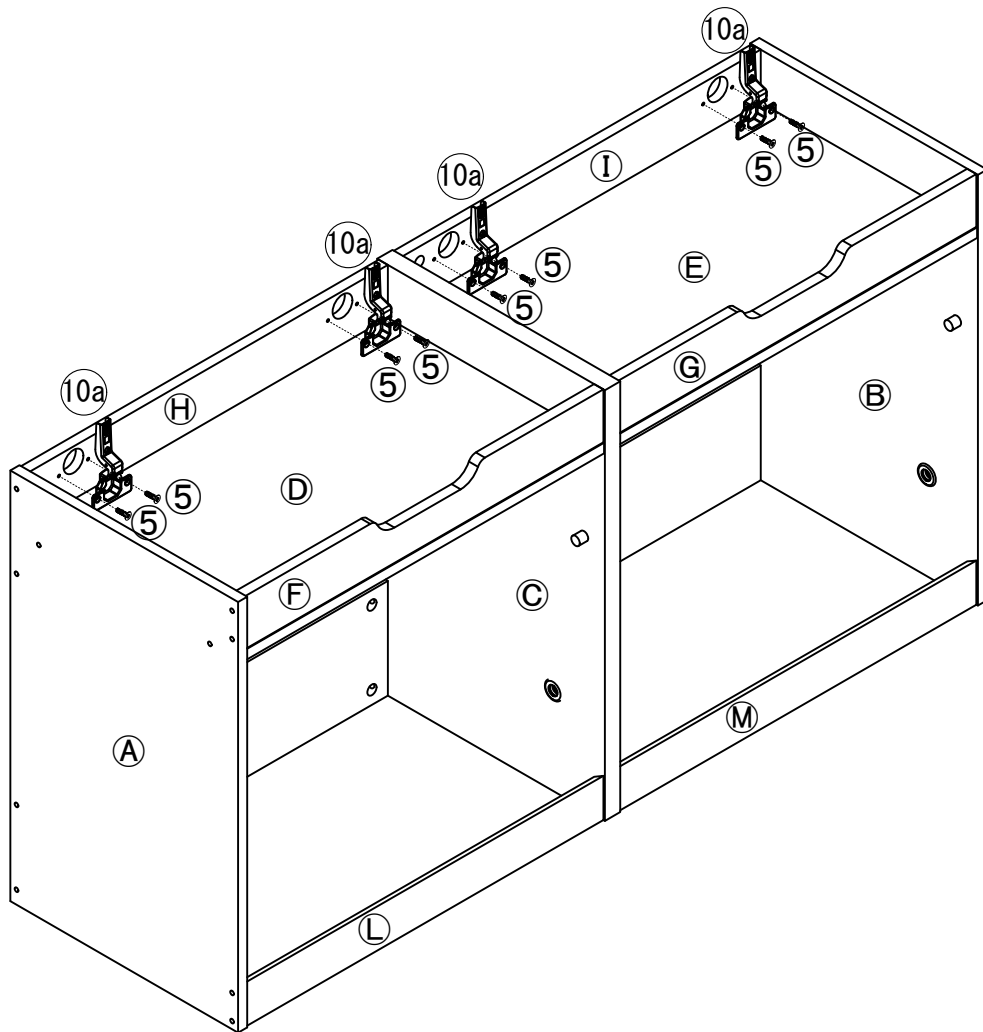
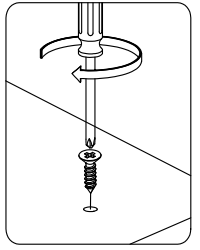
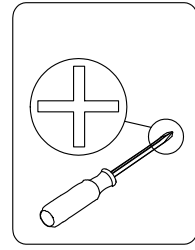
Step 9





	③ x 6
	④ x 10

Assembly Step

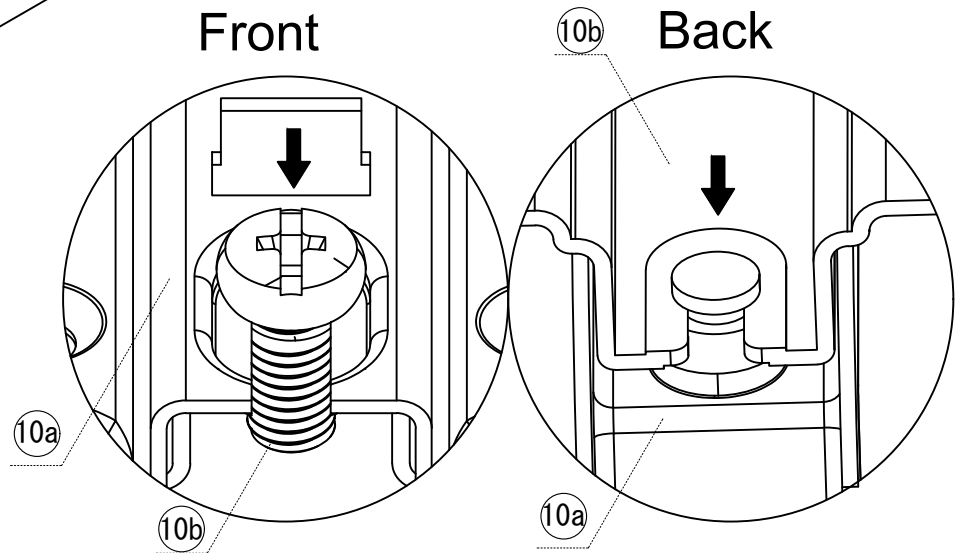
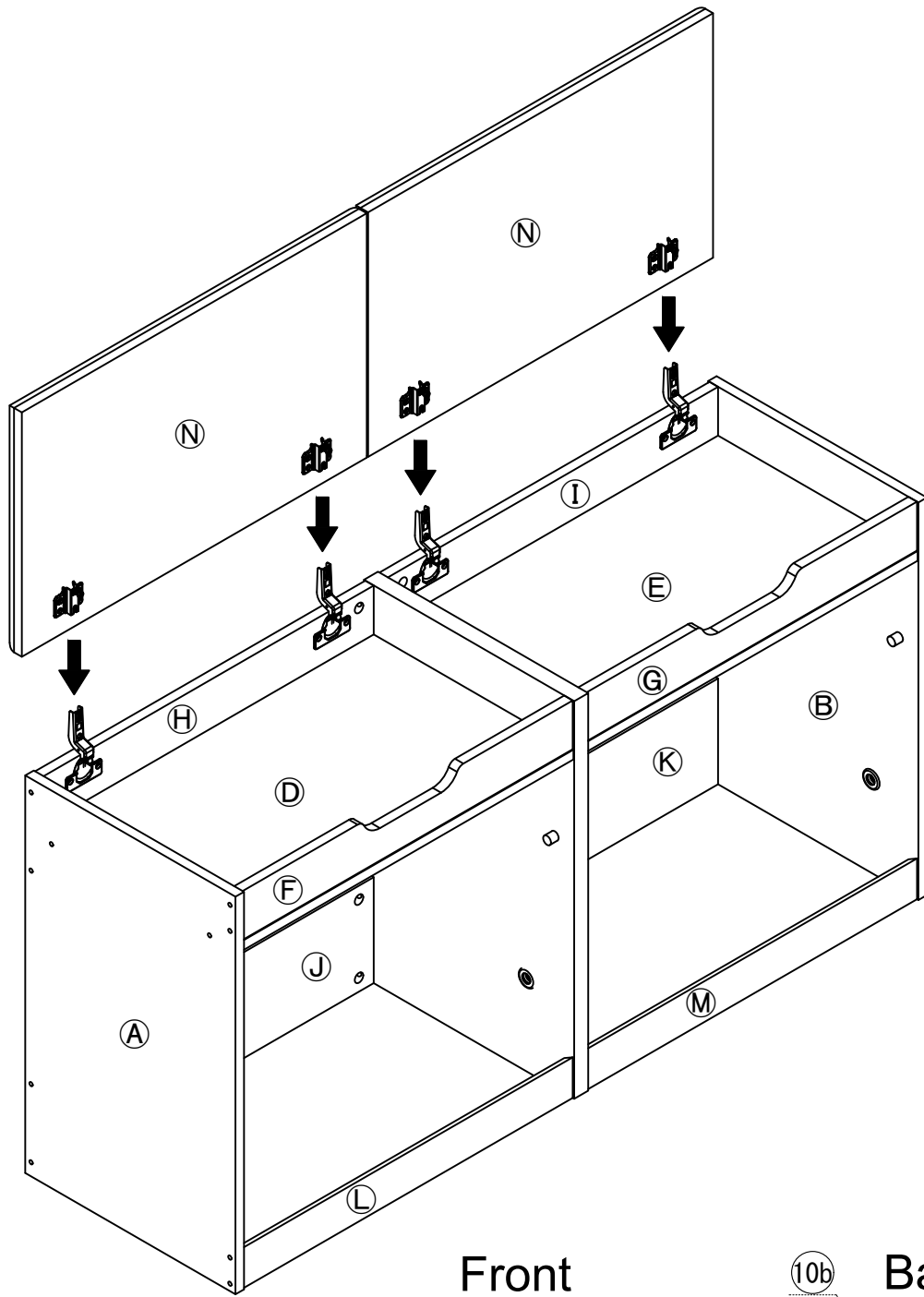
Step 10



	⑤ x 8
	⑩a x 4

Assembly Step

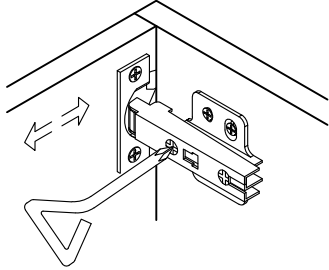
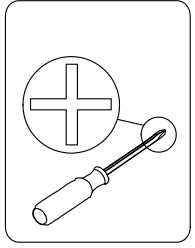
Step 11



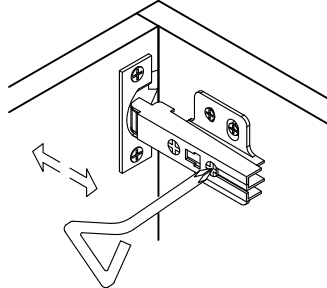
Assembly Step

Step 12

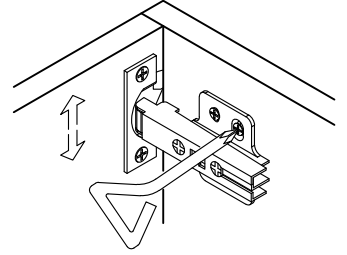
ADJUSTING POSSIBILITIES



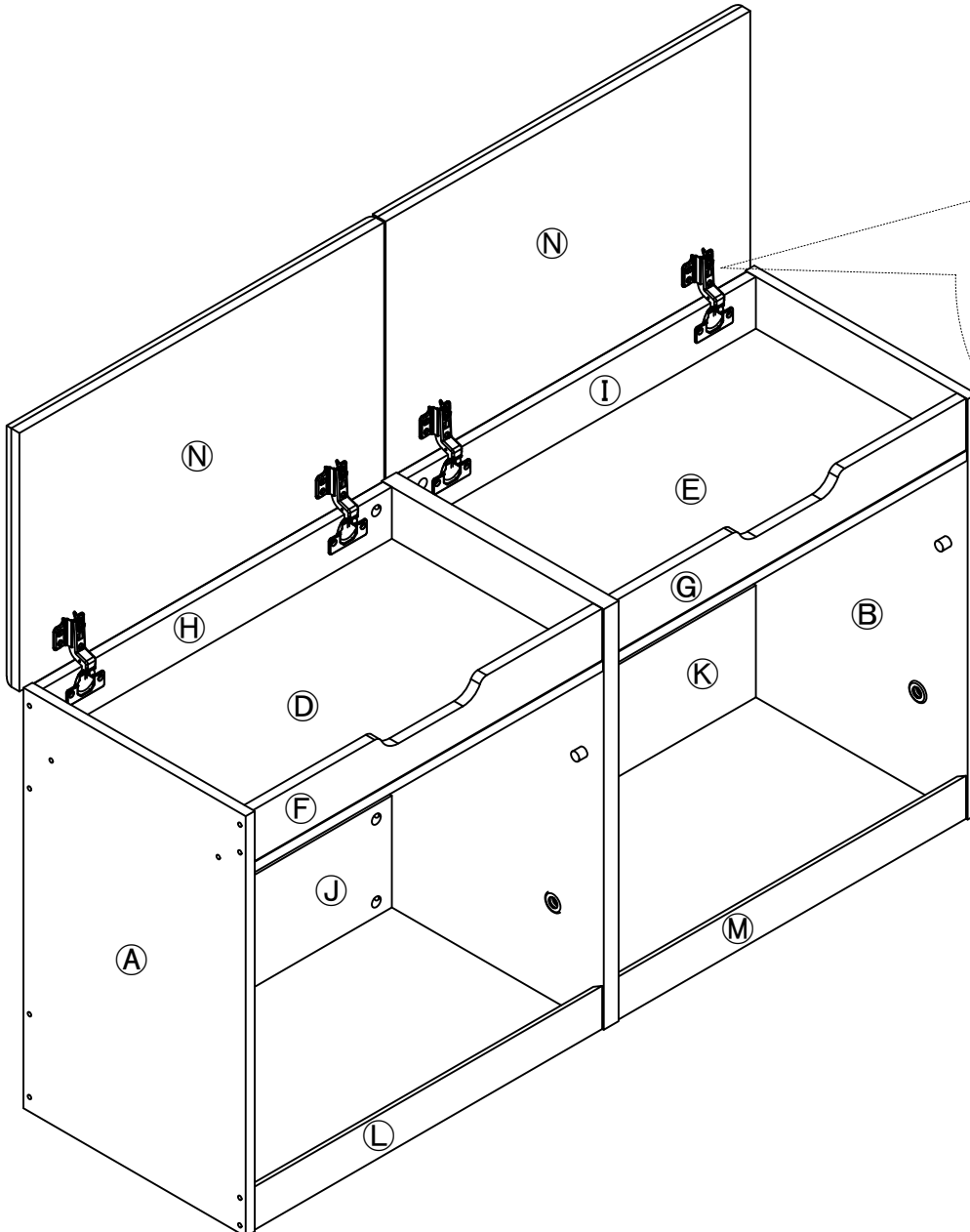
- LATERAL ADJUSTMENT BY SCREW ADJUSTMENT



- FRONT-TO-BACK BY SLACKENING THE HINGE-ARM MOUNTING SCREW

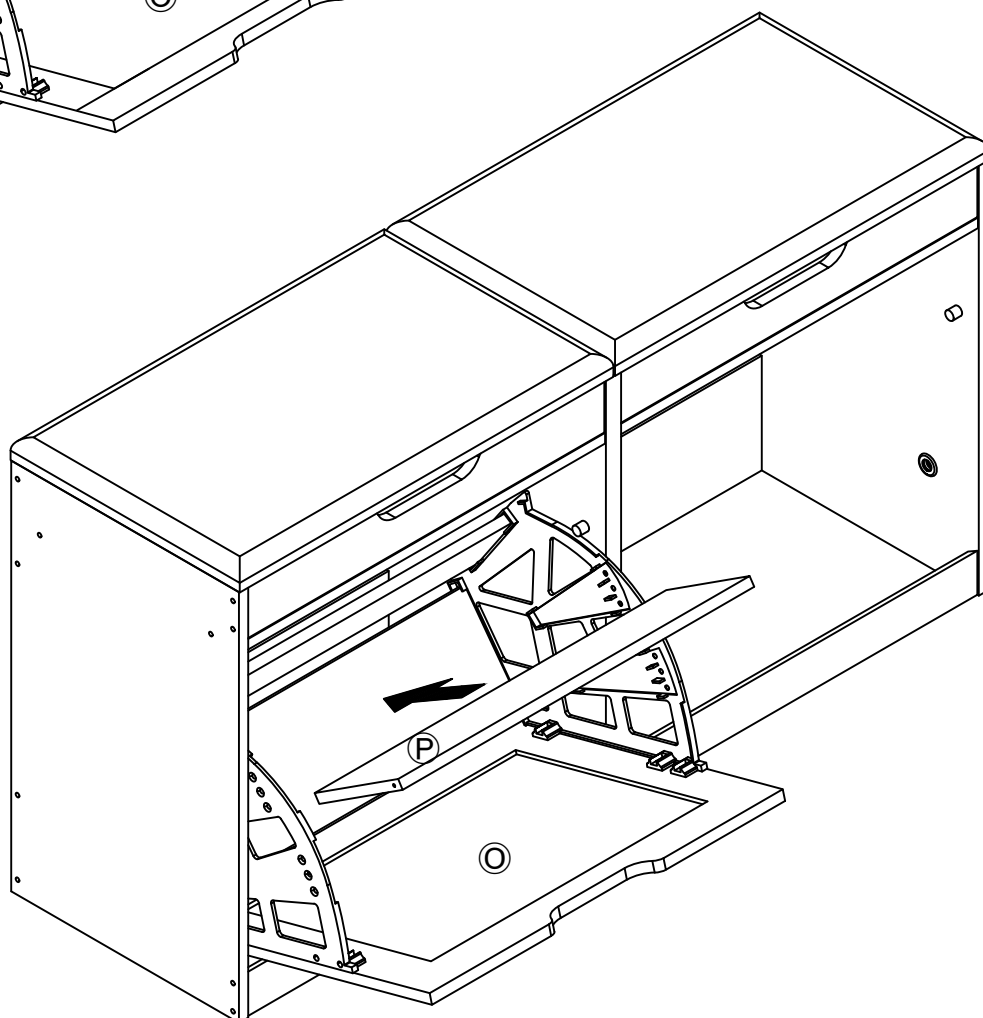
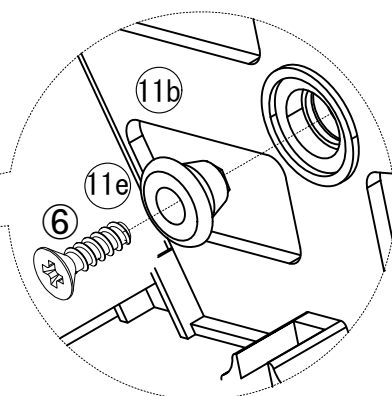
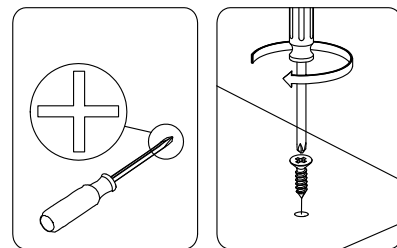
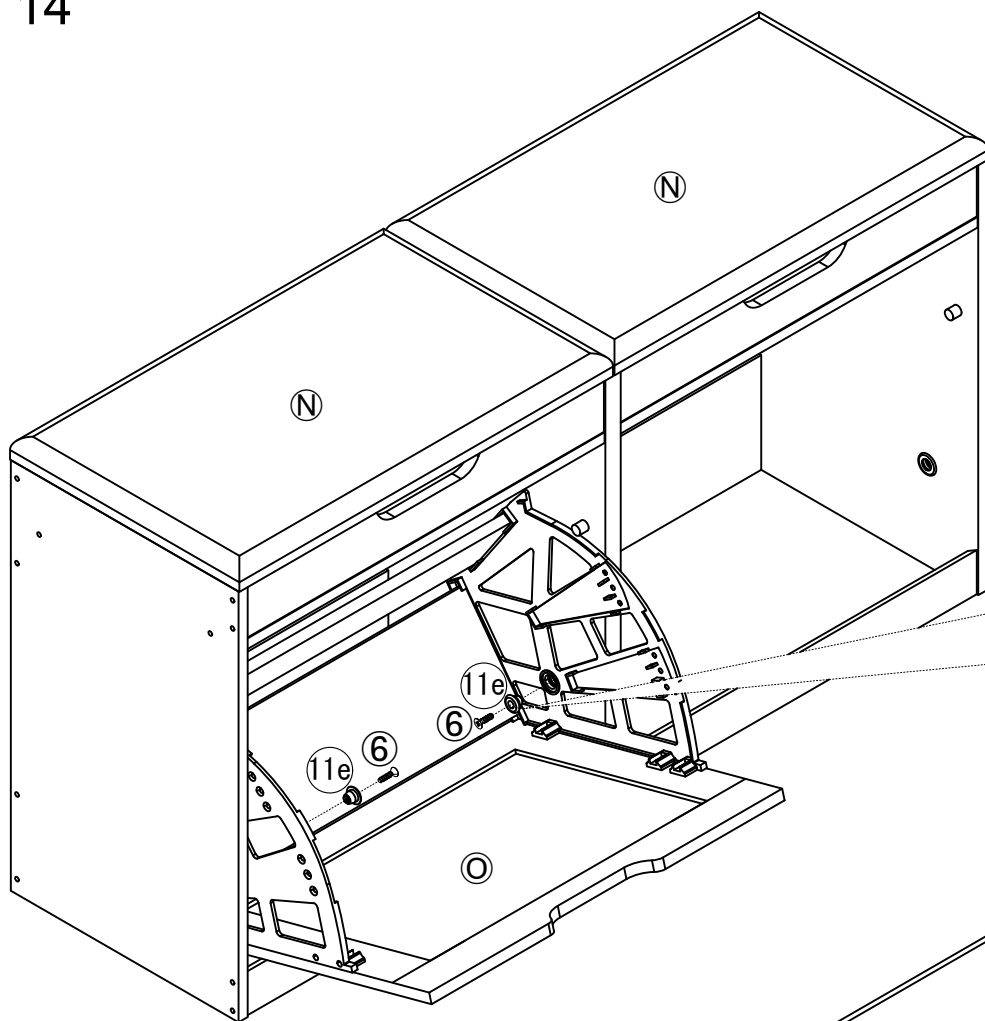



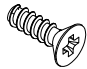
- VERTICAL ADJUSTMENT VIA MOUNTING PLATE (VIA SLOTS OR, IF IN TWO PIECES, BY SCREWS)



Assembly Step

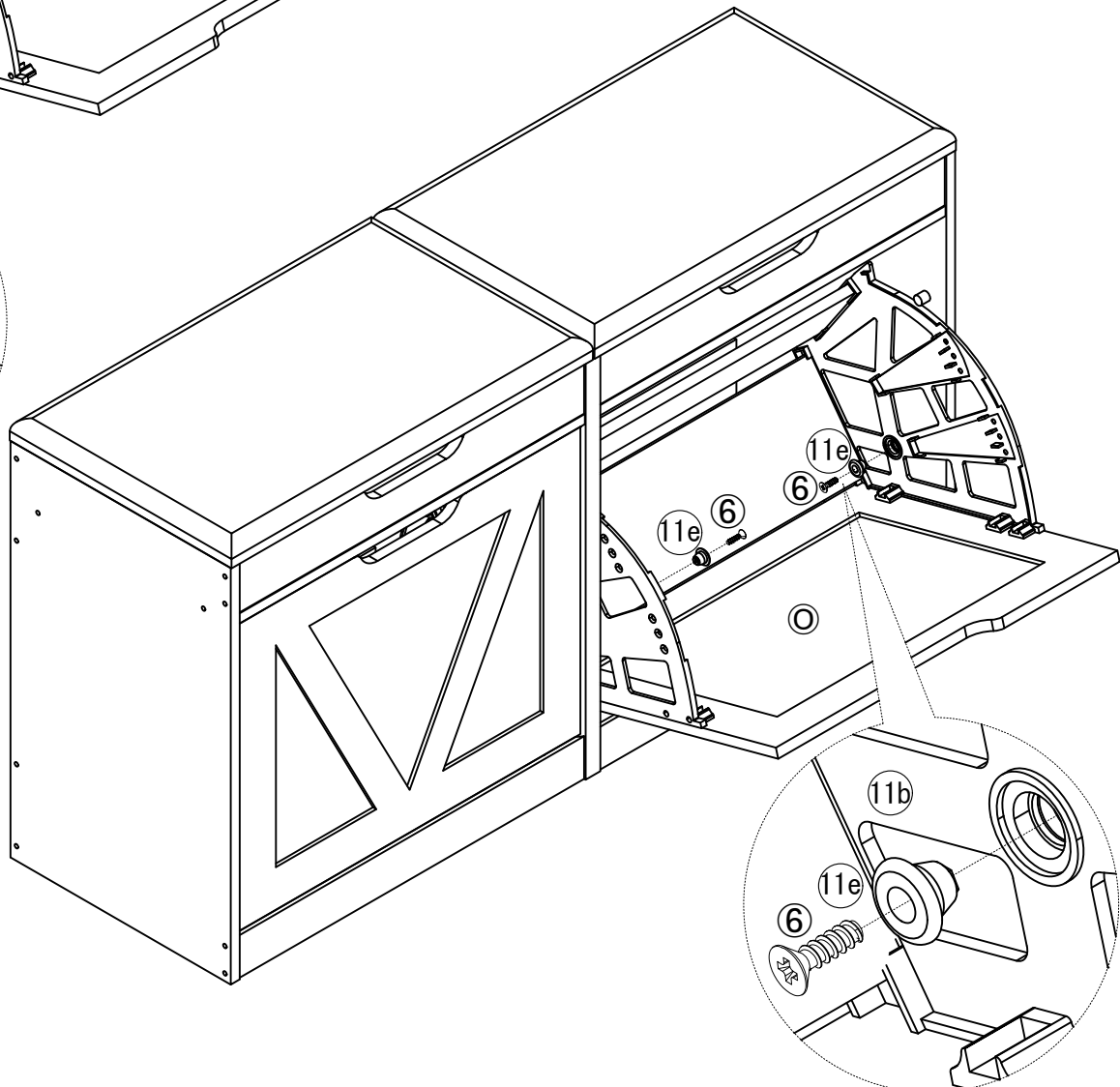
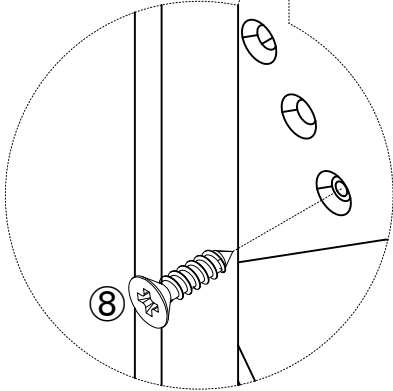
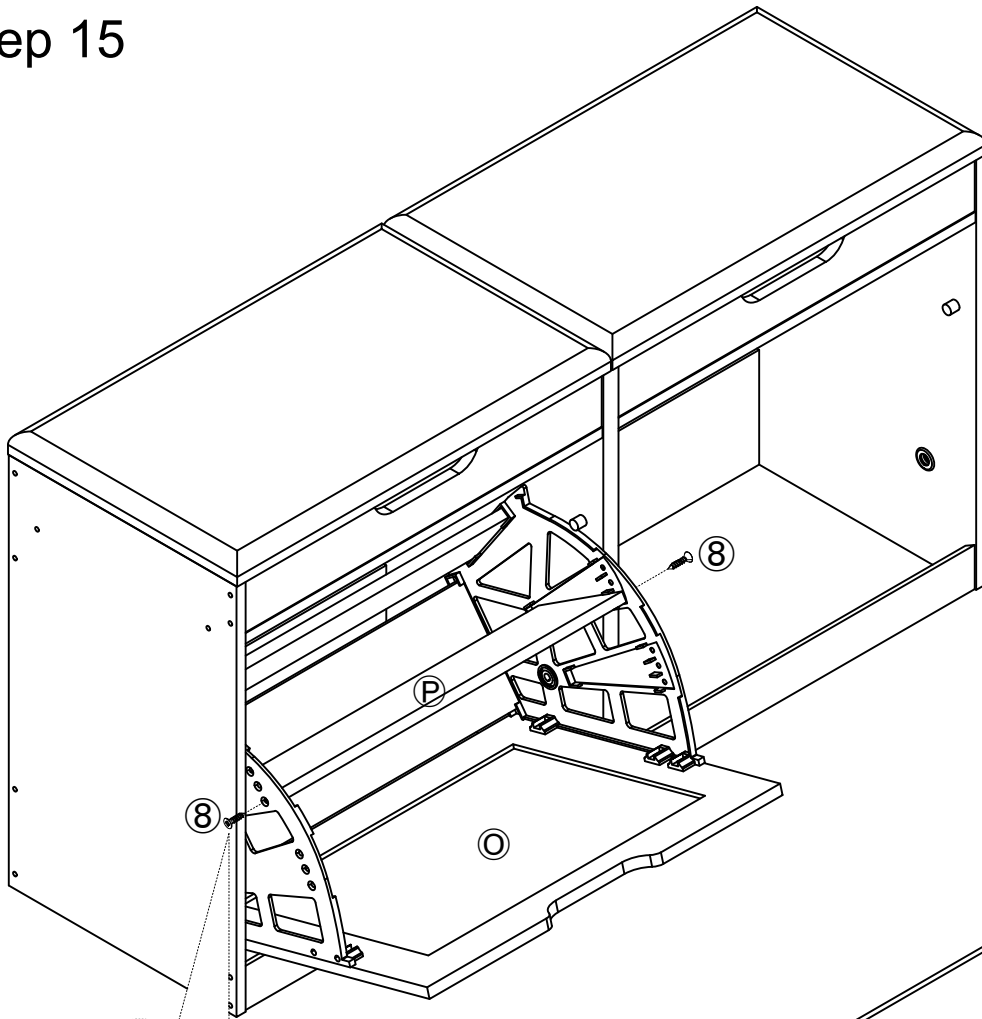
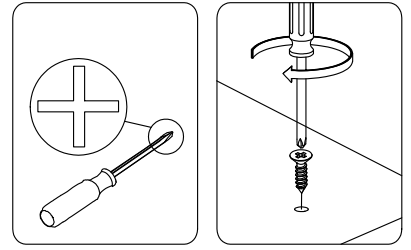
Step 14



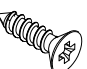


	11e x 2
	6 x 2

Assembly Step

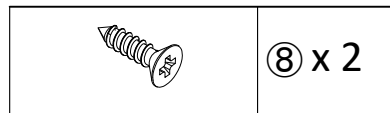
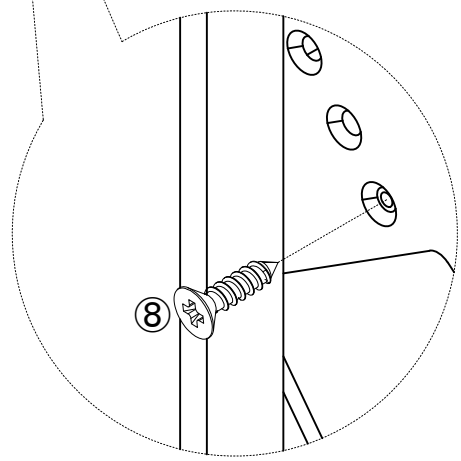
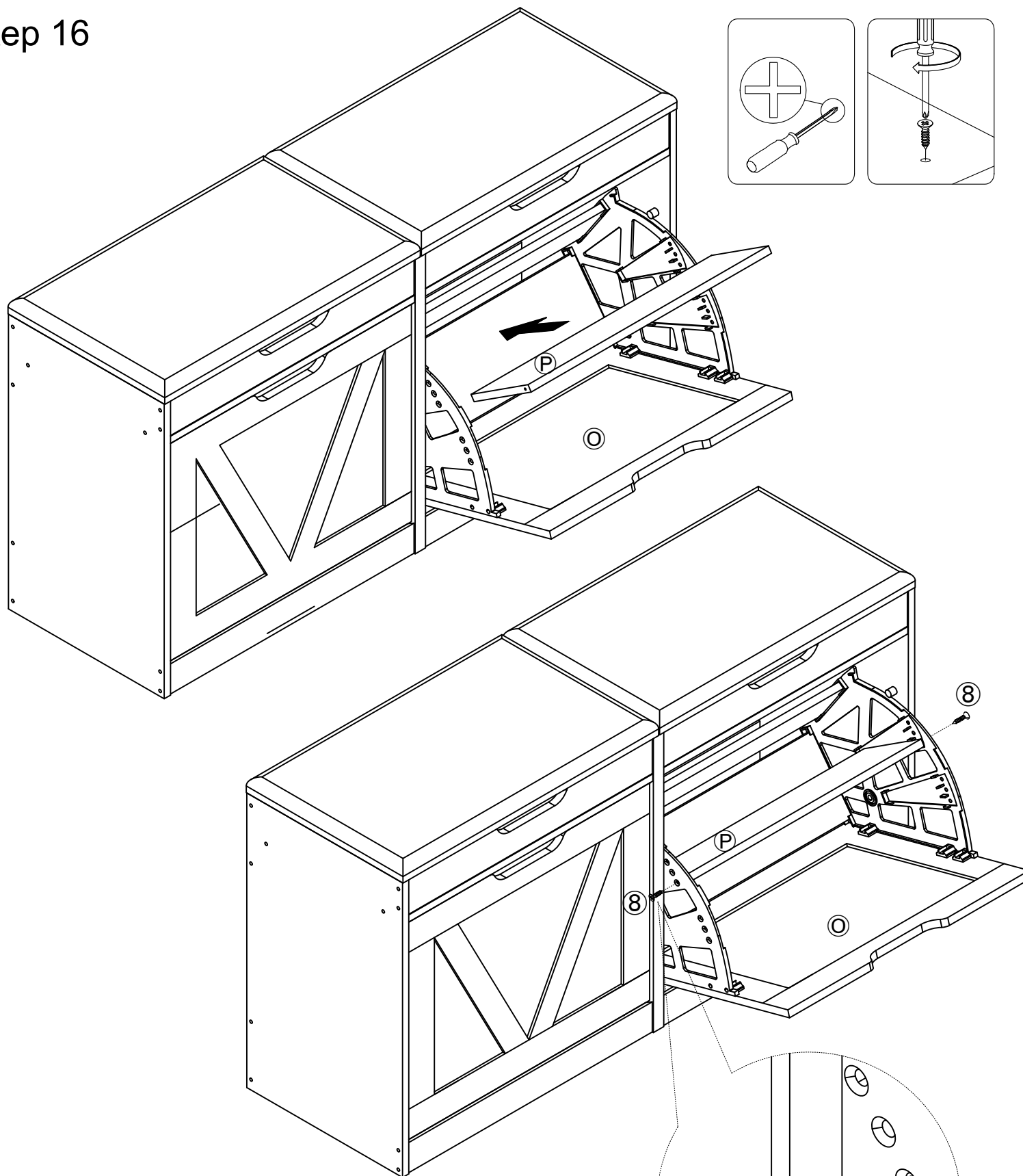
Step 15



	11e x 2
	6 x 2
	8 x 2

Assembly Step

Step 16



Assembly Step

Step 17

