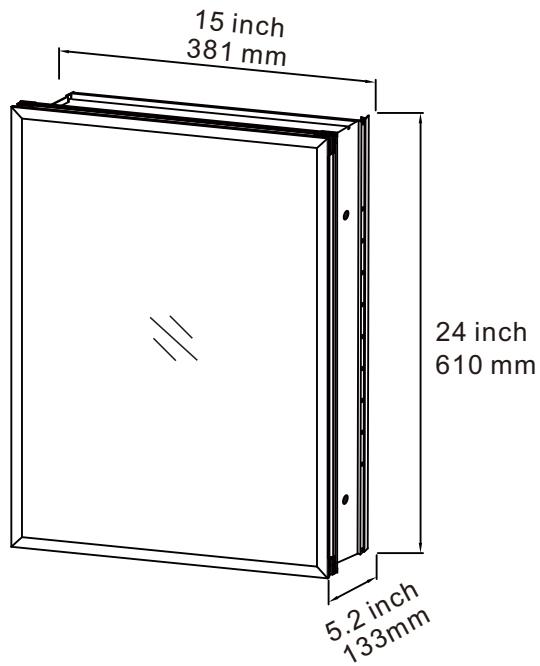
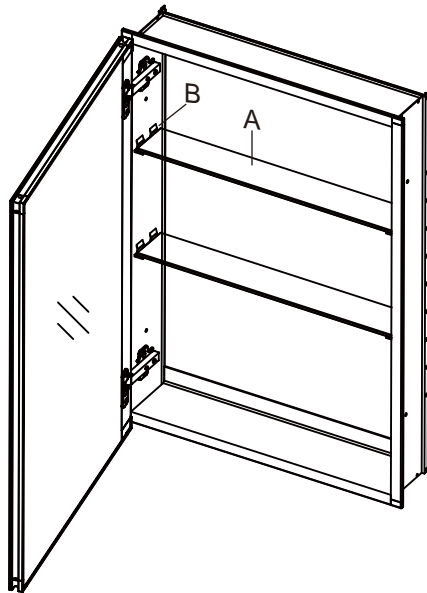


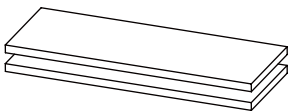
# Medicine Cabinet Instructions



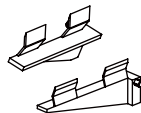
## PART LIST



## SUPPLIED HARDWARE LIST



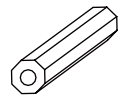
A 2x



B 2+2



C 4x



D 4x

## TOOLS REQUIRED (not supplied)



Pencil



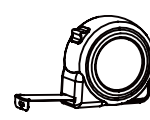
Screwdriver



Level



Rubber mallet



Measuring Tape

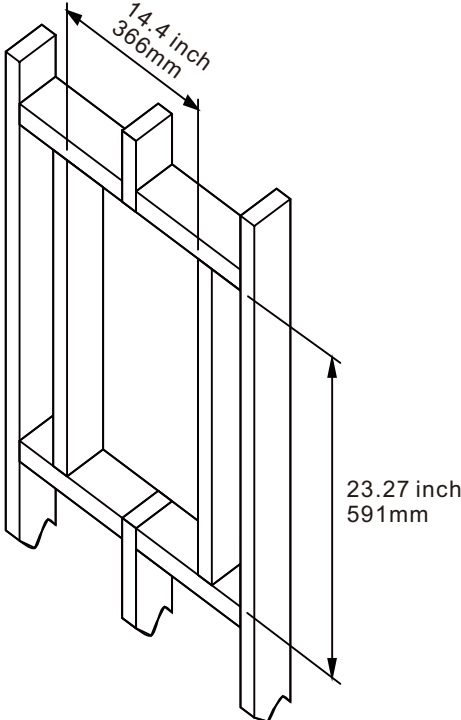


Drill

# RECESSED MOUNT INSTALLATION

## STEP 1

Draw the perimeter of the cabinet. Cut at the marked lines with the appropriate tool. Make sure that there is support on both sides of the opening to attach the cabinet box.



## STEP 2

Frame the cutout opening. Place and hold the cabinet in the cutout.

## STEP 3

Level, then secure the cabinet with screws (L).

