

## ASSEMBLY INSTRUCTIONS



**CAUTION**

- ◆ Inspect the wire insulation for any cuts, abrasions, or exposed copper that may have resulted during shipping. If there is a defect in the wire, do not attempt installation.
- ◆ Before starting installation of this fixture or removal of a previous fixture, disconnect the power by turning off the circuit breaker or by removing the fuse at the fuse box.

## TOOLS REQUIRED



**Ladder**

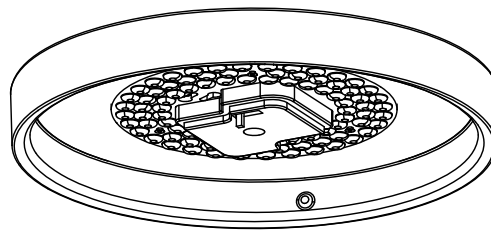


**Safety  
glasses**



**Phillips  
screwdriver**

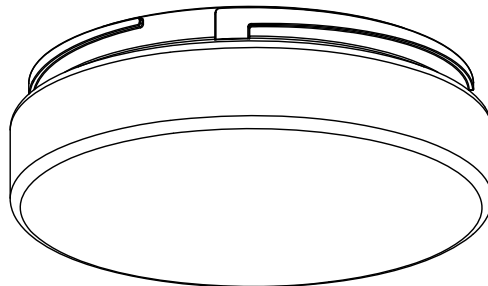
## PARTS SHOWN MAY DIFFER SLIGHTLY PER LIGHT FIXTURE



**Canopy**

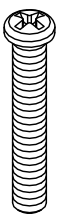


**Screw**



**Glass Shade**

### PART BAG



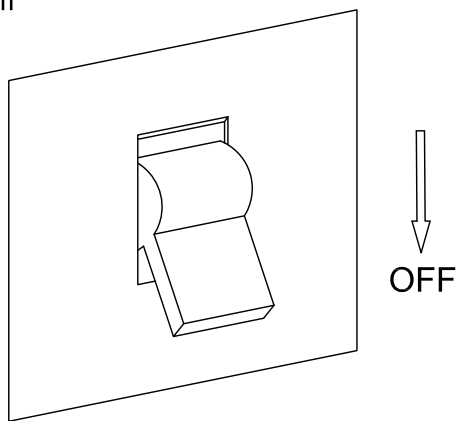
**X2**



**X3**

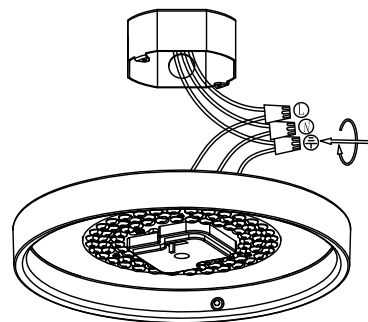
### Step 1

Power off



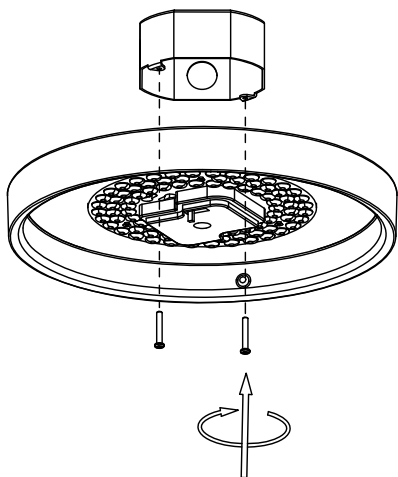
### Step 2

Connect the wire.



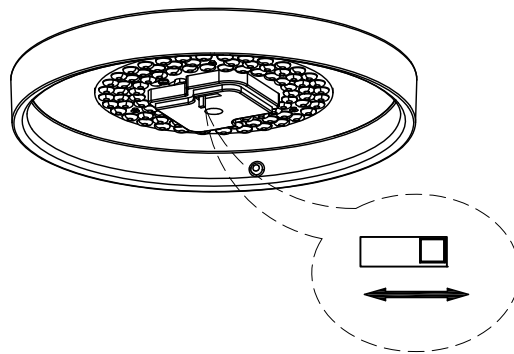
### Step 3

Install the canopy onto the junction box using the mounting screws.



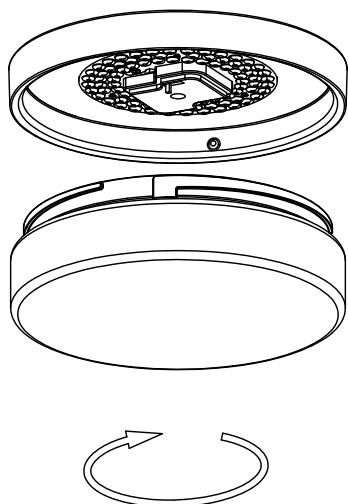
### Step 4

Choose a suitable color temperature.  
(3000K-3500K-4000K-5000K-6000K)



### Step 5

Attach the glass shade onto the canopy, and then rotate it for installation.



Ceiling lamp

