

Thank you for purchasing the our bed !
 Before you start,here is some helpful
 advice:

1.We suggest you spend a short time reading through this leaflet and then follow the simple step by step instructions.

2.Owing to the size and weight of the bed, we recommed that it is assembled by two adults,on a carpeted or padded area, in the room that it is intended for.Approx assembly time:30 minutes.



3.Please do not use any tools other than those provided or recommended in these instructions.

4.Please do not throw away any of the packaging or the instruction until you have checked all the components and hardware and the furniture is fully assembled.Please ensure that the packaging is disposed of in a safe environmentally friendly way.

5.Assemble all components loosely until advised to tighten.Depending on use, it may be necessary to tighten the components from time to time,so please save the tools that has been provided.

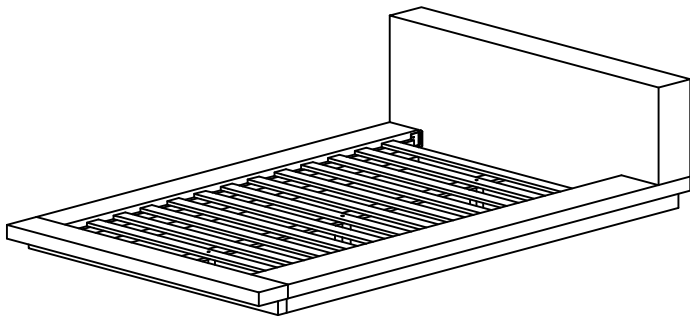
6.Please keep all fitting out of reach of children.

Hardware for Headboard

A		JCBB BOLT M8 X 16MM	x8
B		M5 ALLEN KEY	x1

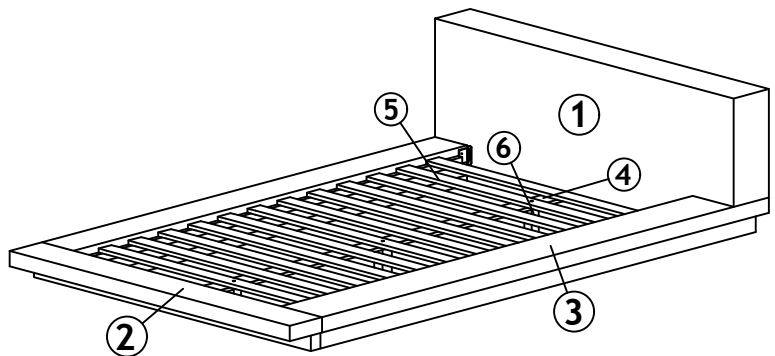
Hardware for Side rails and Footboard

C		JCBC BOLT M6 X 35MM	x2
D		JCBC BOLT M6 X 60MM	x3
E		SPRING WASHER 1/4"	x5
F		FLAT WASHER 1/4"	x2
G		CSK SCREW M4 X 32MM	x28
H		M4 ALLEN KEY (BALL SHAPE)LONG	x1



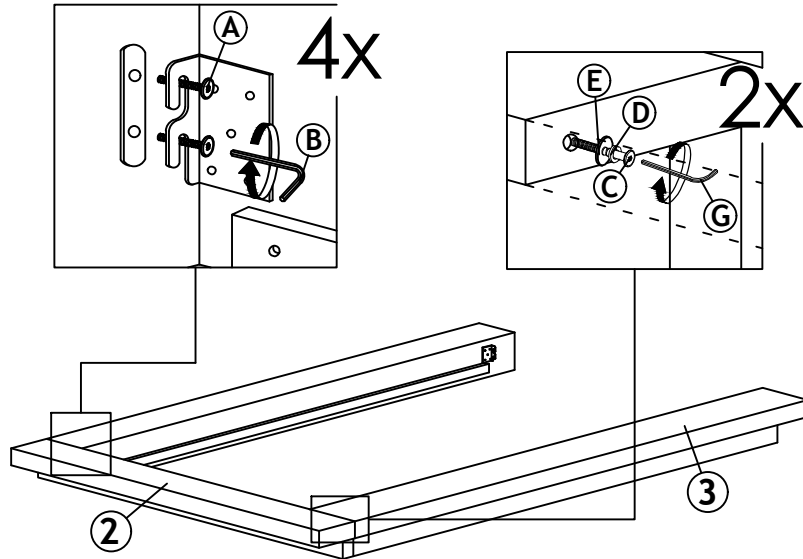
Component :







1- HEADBOARD	x1	6- LEG SUPPORT	x3
2- FOOTBOARD	x1		
3- SIDE RAILS	x2		
4- CENTER RAIL	x1		
5- RAILS	x14		



STEP 1 :

Place **SIDE RAILS (3)** and **FOOTBOARD (2)** on a carpeted or padded area as shown. Attach **FOOTBOARD (2)** with **SIDE RAILS (3)** together by inserting **JCBB BOLT M8 x 16MM (A)**. Tighten up the bolts with **M5 Allen Key (B)**. Place **SPRING WASHER ¼" (E)** and **FLAT WASHER ¼" (F)** into **JCBC BOLT M6 x 35mm (C)**. After that, inserting **JCBC BOLT M6 x 35mm (C)** at bottom side of **SIDERAILS (3)** and **FOOTBOARD (2)**. Tighten up the bolts with **M4 Allen Key (BALL SHAPE) LONG (H)**.

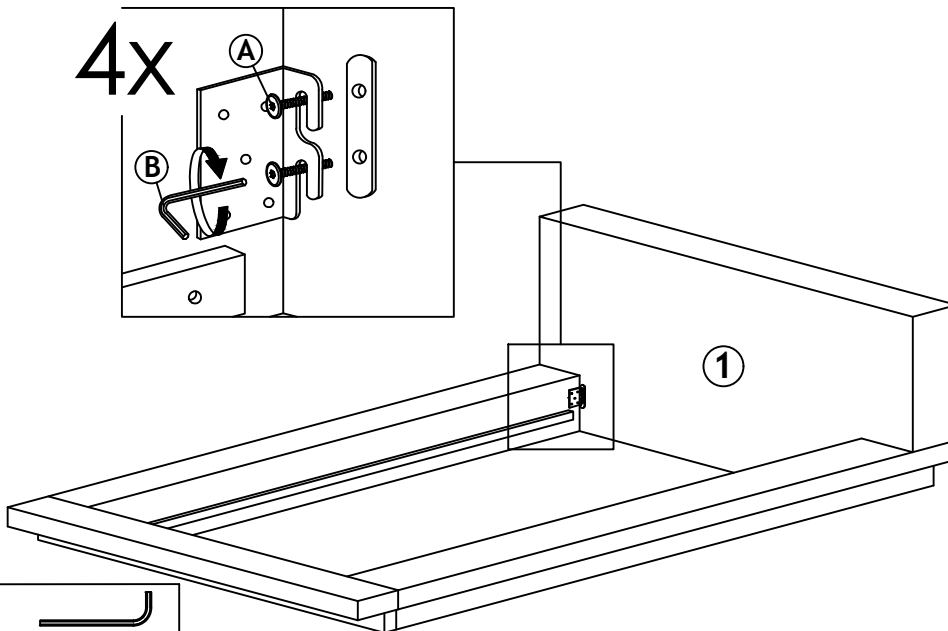




					
A x 4	C x 2	E x 2	F x 2	B x 1	H x 1

Hardware & Tool required

STEP 2 :

Attach **HEADBOARD (1)** with **SIDE RAILS (3)** together by inserting **JCBB BOLT M8 x 16MM (A)**. Tighten up the bolts with **M5 Allen Key (B)**.

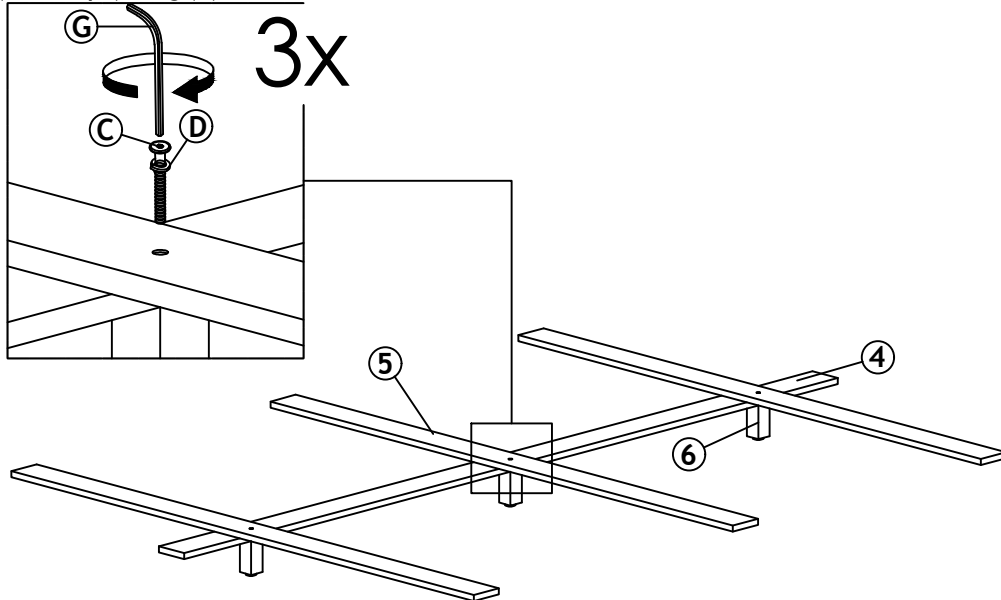





	
A x 4	B x 1

Hardware & Tool required

STEP 3 :

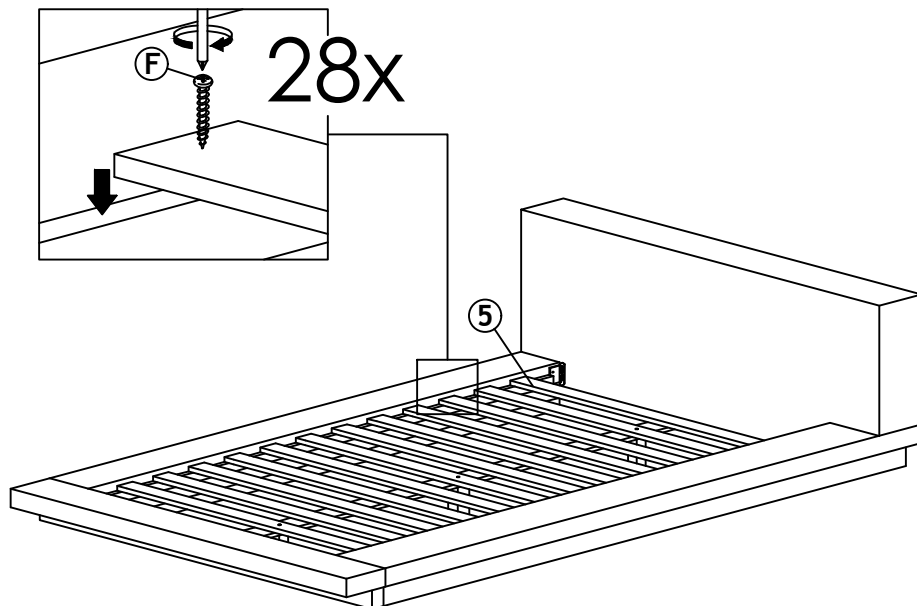
Place the **CENTER RAILS (4)** on **Leg Supports (6)**. Parallel place three **RAILS (5)** vertically on the **Center Rail (4)** as shown with the center holes lined up. Attach them together by inserting **JCBC BOLT M6 x 60mm (D)** and **Spring Washer $\frac{1}{4}$ " (E)**. Tighten it up with **M4 Allen Key (Ball Shape) Long (H)**.

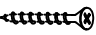


		
D x 3	E x 3	H x 1

Hardware & Tool required**STEP 4 :**

Place the balance of **Rails (5)** equally on the **Center Rail (4)**. Then screw it up with **CSK Screw M4 x 32mm (G)** on both side of **Rail (5)**.

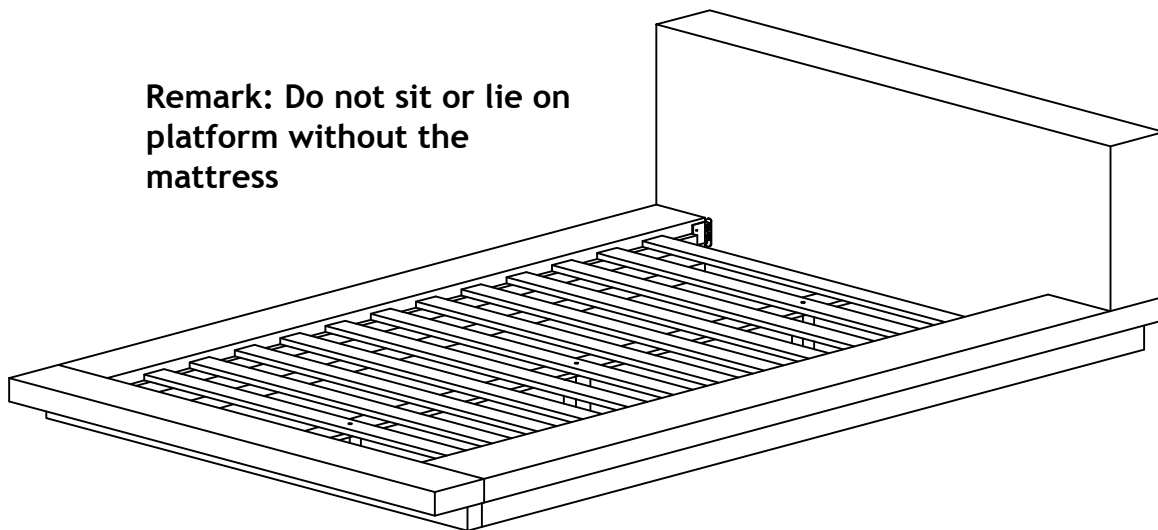



G x 28

Hardware & Tool required

STEP 5 :

Remark: Do not sit or lie on platform without the mattress



Assembly is completed. The bed is ready to enjoy now !