

## ASSEMBLING & INSTALLATION INSTRUCTIONS

The drawing shown may not exactly match the product enclosed. However, the installation instructions do apply to this product.

- ◆ **WARNING! SHUT POWER OFF AT FUSE OR CIRCUIT BREAKER.**
- ◆ **ATTENTION! COUPER LE COURANT AU FUSIBLE OU UN DISJONCTEUR.**

### ASSEMBLING THE FIXTURE (Fig.1)

1. Shut off the power at the circuit breaker box. Remove old fixture and all hardware from Junction Box. Carefully unpack your new fixture and lay out all the parts on a clear area. Take care not to lose any small parts necessary for installation.
2. Drilling four holes in the wall, distance and the same distance from the keyhole of mounting plate, then loaded plastic anchors. Attach the mounting plate to the wall, aligning the plastic anchors, lock it securely with the four wood screws. The side of the mounting plate marked "GND" must face out. **The junction box is not included.**
3. Follow wiring instructions carefully (see fig.2◆).
4. IF YOU NOT NEED CORD ASSEMBLY OF THE FIXTURE LAMP, PLEASE PAUSE AND TAKE OUT FIXTURE WIRES NUTS OF THE BACK PLATE, THEN FOLLOW WIRING INSTRUCTIONS CAREFULLY. (SEE FIG.2 AND FIG.1.1)
5. Raise the pipe(B) to bottom backplane of fixture body(A), by turning it clockwise until tight. Attach the fixture body (A) onto the mounting plate, aligning the backplane holes with screw holes of the mounting plate in side, lock it securely with the mounting screws. Determine the pipes(B) desired fixed height on the wall, please drilling two holes on the pipe side, then loaded plastic anchors, raise the clip(C) onto the anchors, lock it securely with the two wood screws.
6. Install the light bulb(not included) in accordance with the fixture's specifications.  
**NOTE: DO NOT EXCEED THE MAXIMUM WATTAGE RATING!**

### CONNECTING THE WIRES (Fig.2)

1. Connect the electrical wires as follows. Connect the Black wire from the fixture to the black house (hot) Wire. Connect the white wire from the fixture to the white (neutral) house wire. Make sure all wire nuts are secured. You may wrap the connections with electrical tape. If your junction box has a ground wires (green or bare copper) connect fixture's ground wire to it.
  - ◆ **Otherwise attach the bare copper fixture wire to the green ground screw on the mounting plate.**
2. Tuck the wire connections neatly into the wall junction box.

**Your installation is now complete. Return power to the junction box and test the fixture.**

Fig 1

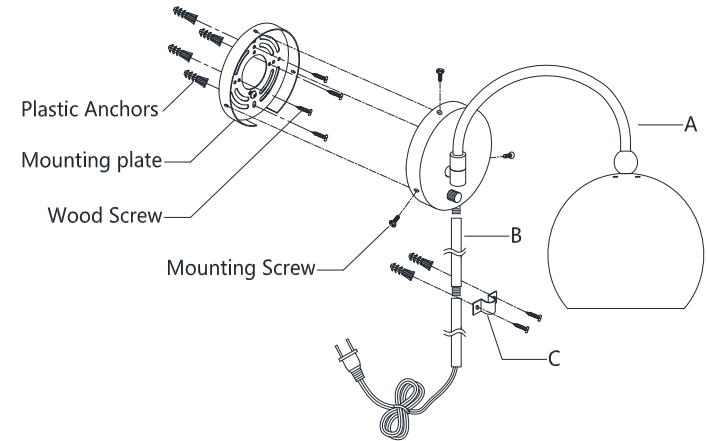


Fig 1.1

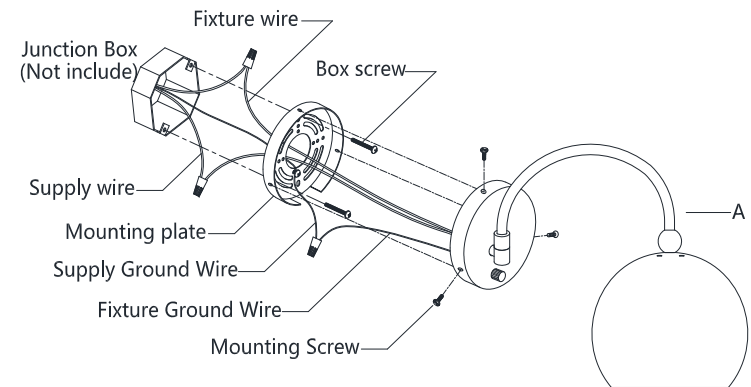


FIG.2

