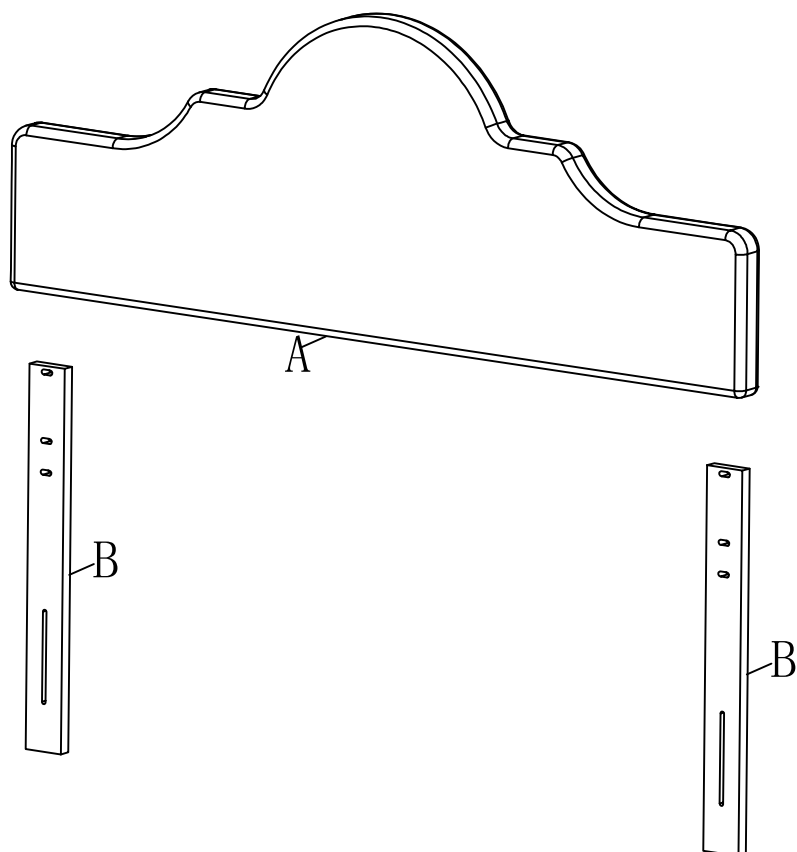


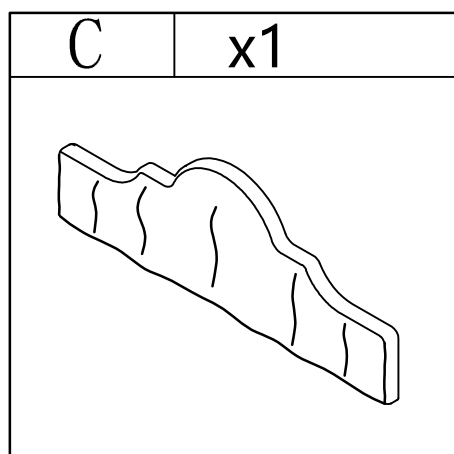
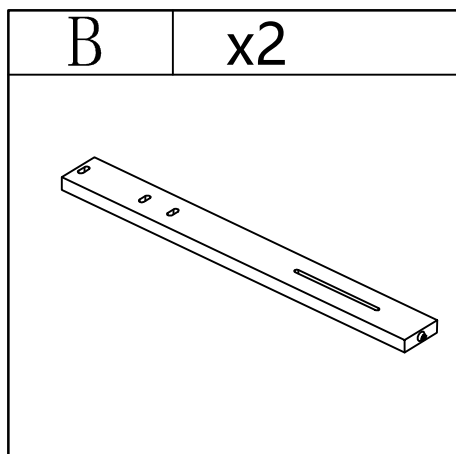
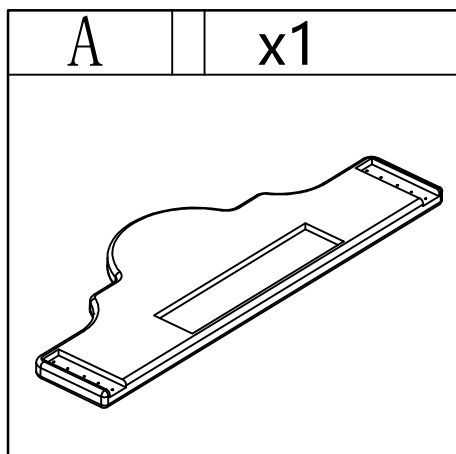
NOTE:

This brochure contains IMPORTANT safety info. Please read and keep for future reference.

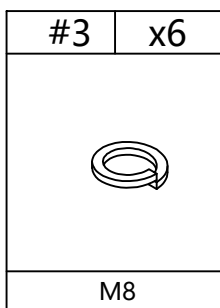
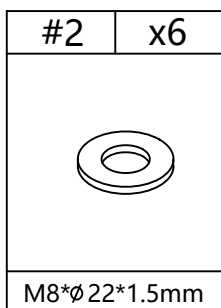
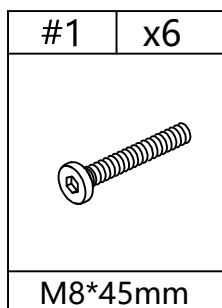
EXPLOSIVE VIEW



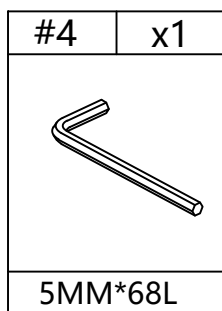
PARTS LIST



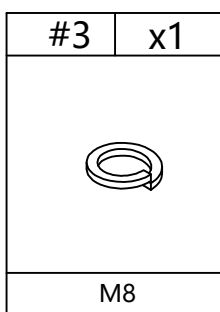
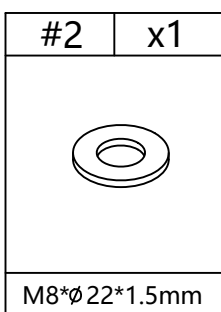
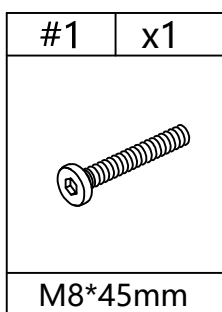
HARDWARE LIST



TOOL LIST

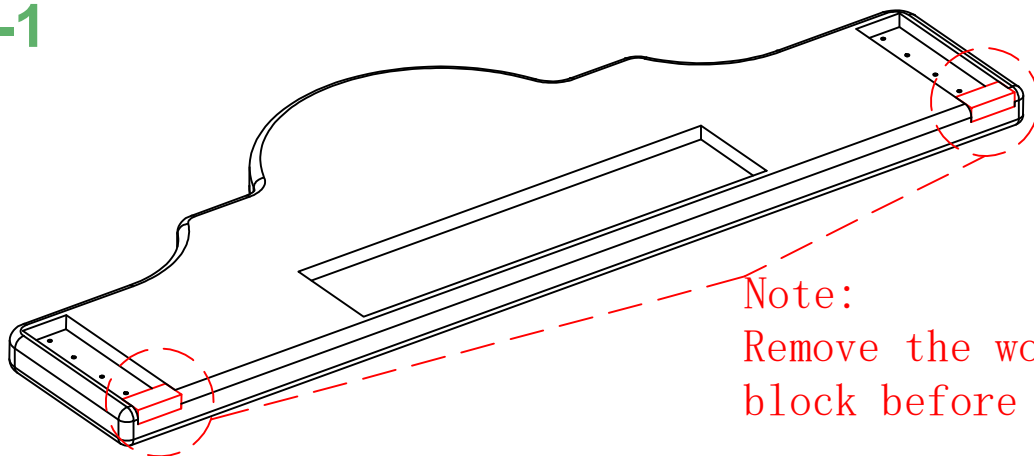


HARDWARE SPARE LIST

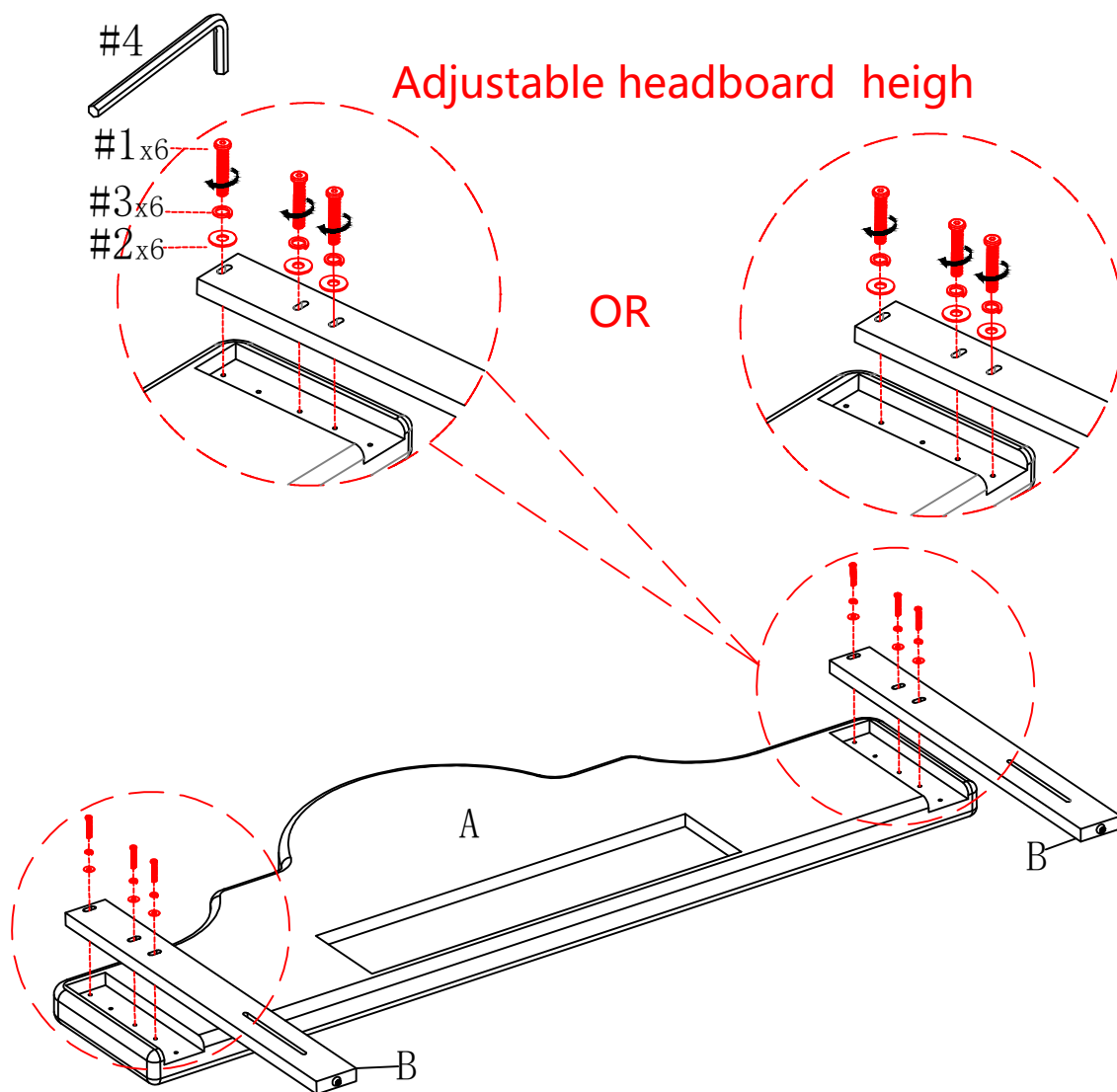


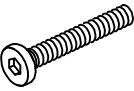


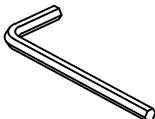
ASSEMBLY INSTRUCTIONS

STEP-1



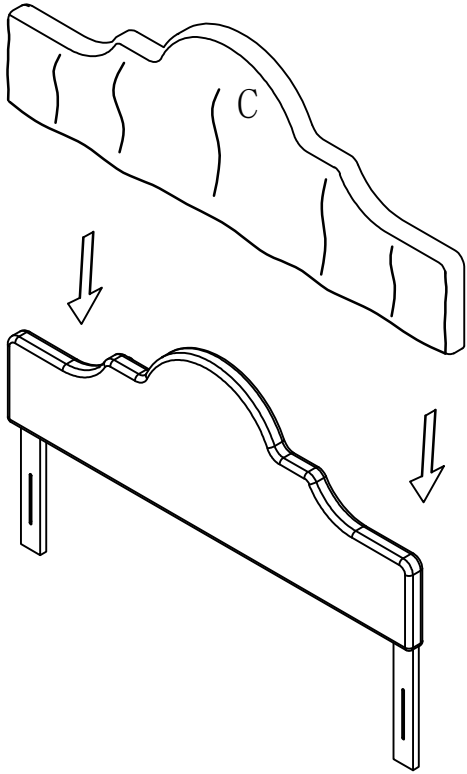
Note:
Remove the wooden
block before assembly



#1	x6	#2	x6	#3	x6	#4	x1
							
M8*45mm		M8* ϕ 22*1.5mm		M8		5MM*68L	

ASSEMBLY INSTRUCTIONS

STEP-2



Put on a bed cover and tie it up properly

