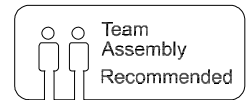
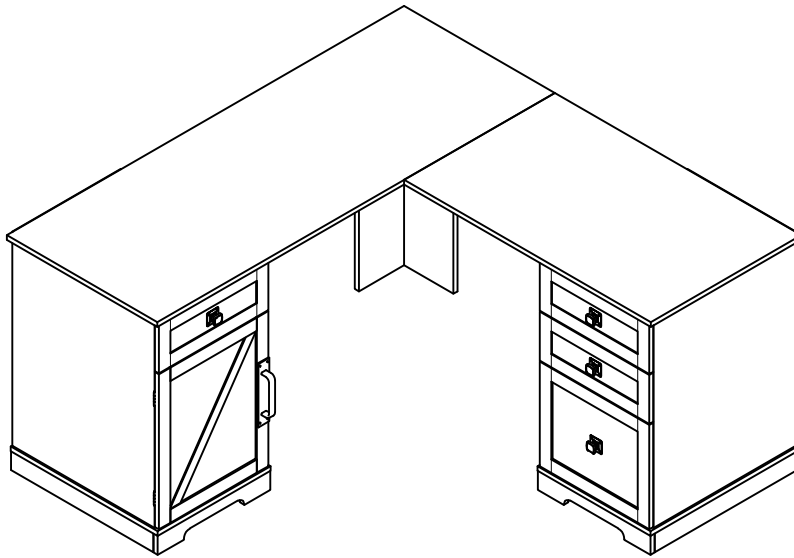


Assembly Instruction



Trouble shooting:

Missing / Wrong / Broken parts and installation issues



Send email with your question pie ,order NO. and screenshot of order details.



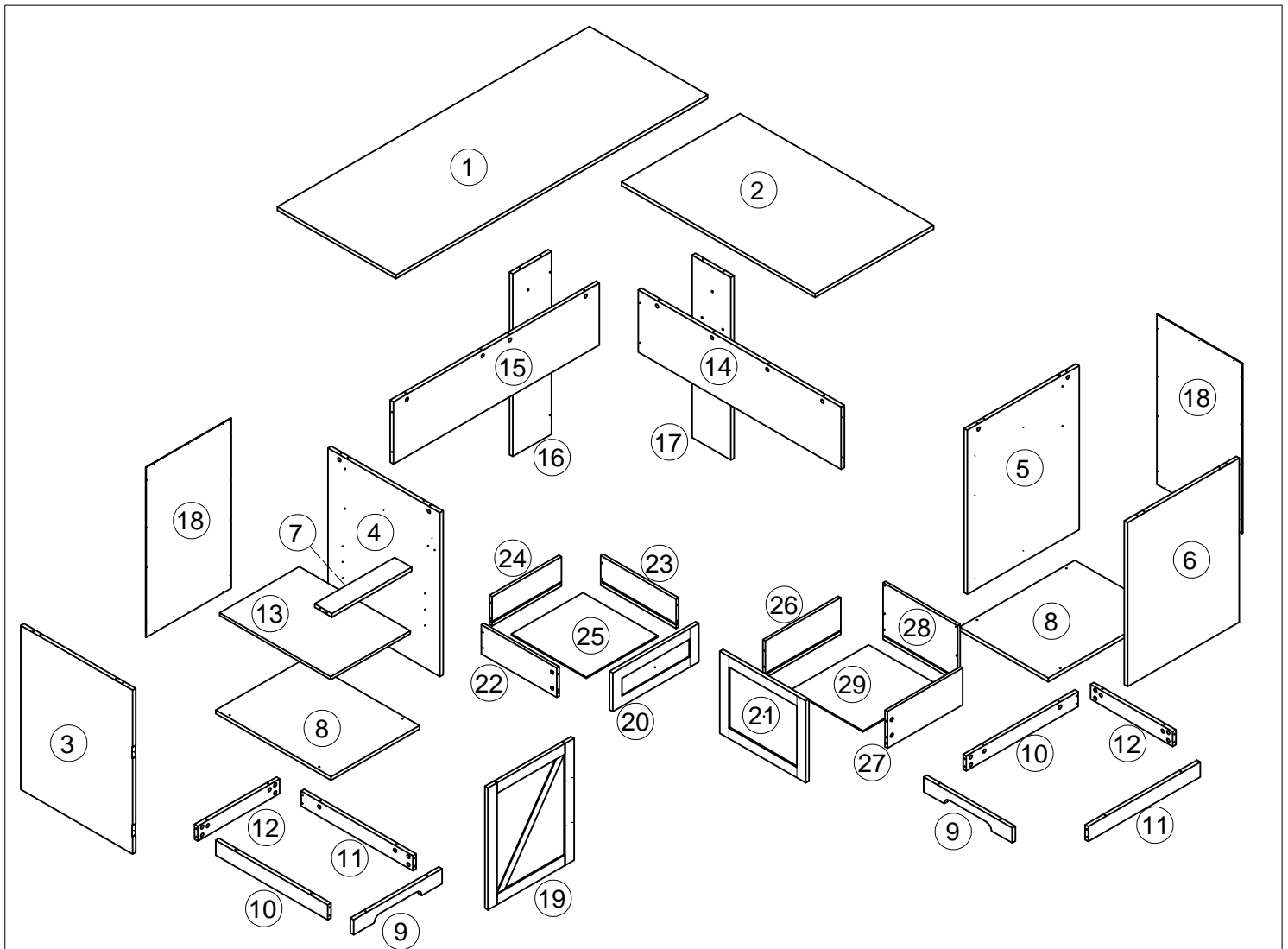
Respond within 24 hours



Issue resolved

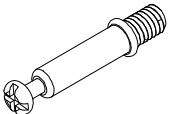
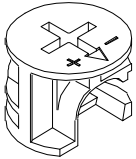
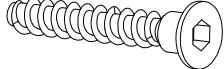
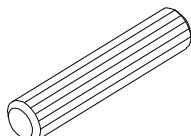
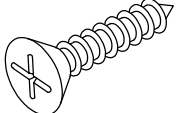
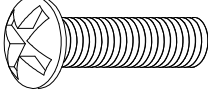
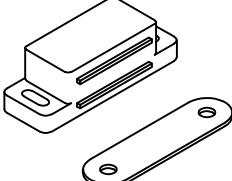
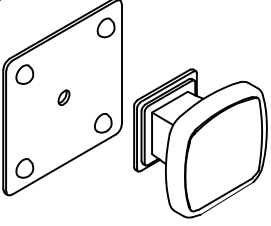
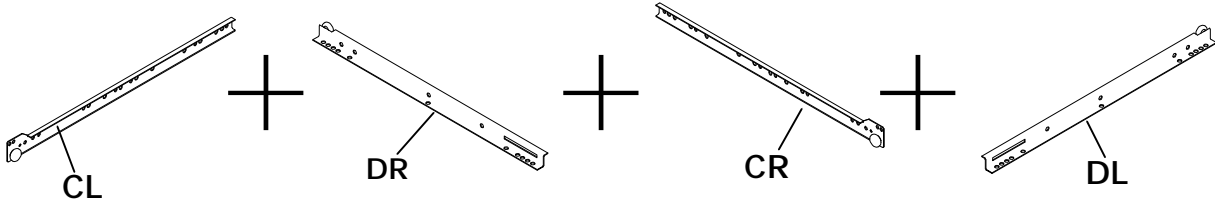
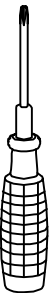
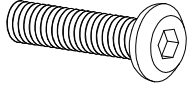
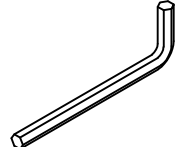
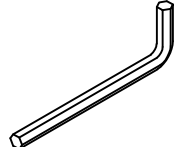
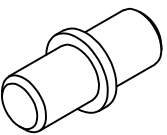
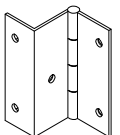
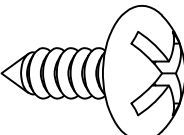
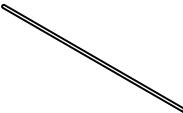
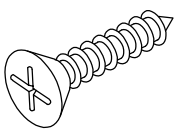
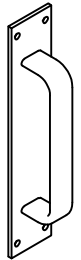
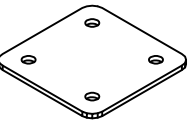
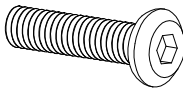
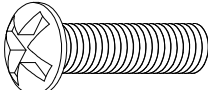
COMPONENTS ID Nr.

Part Nr.	Qty	Part Nr.	Qty	Part Nr.	Qty
1	1pcs	2	1pcs	3	1pcs
4	1pcs	5	1pcs	6	1pcs
7	1pcs	8	2pcs	9	2pcs
10	2pcs	11	2pcs	12	2pcs
13	1pcs	14	1pcs	15	1pcs
16	1pcs	17	1pcs	18	2pcs
19	1pcs	20	3pcs	21	1pcs
22	3pcs	23	3pcs	24	3pcs
25	3pcs	26	1pcs	27	1pcs
28	1pcs	29	1pcs		

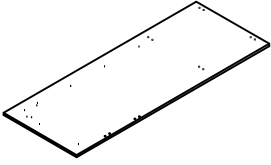
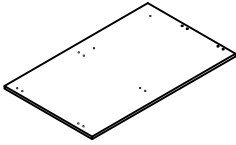
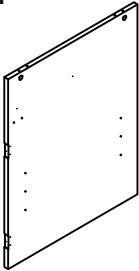
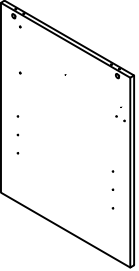
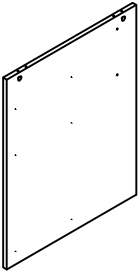
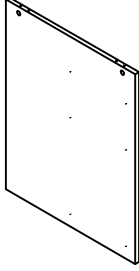
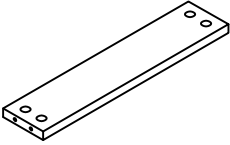
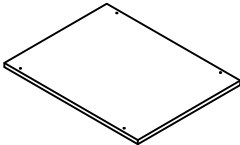
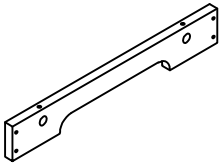
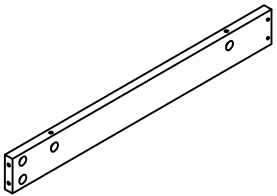
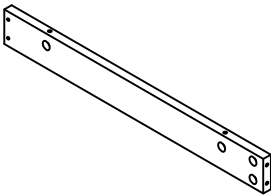
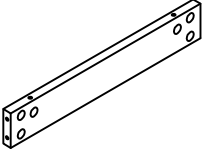
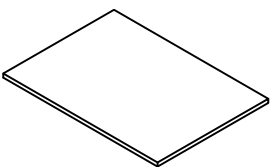
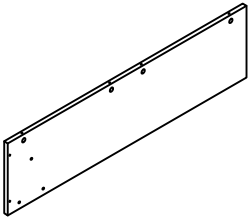
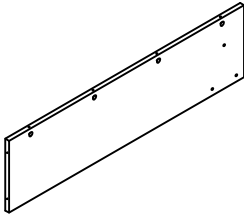


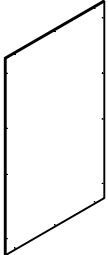
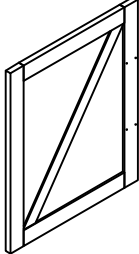
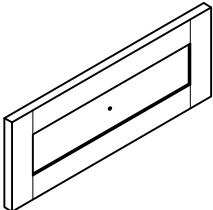
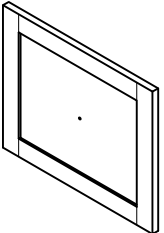
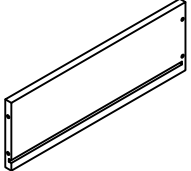
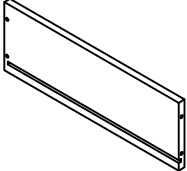
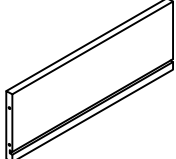


Note: Don't tighten all screws during instation.

HARDWARE LIST

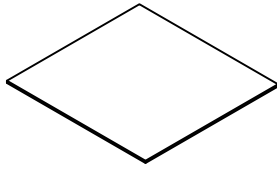
<p>(A) x 74</p> 	<p>(B) x 74</p>  <p>Ø15X9.5mm</p>	<p>(C) x 33</p>  <p>D5X40mm</p>	<p>(D) x 8</p>  <p>Ø6X30mm</p>	
<p>(E) x 48</p>  <p>D3.5X12mm</p>	<p>(F) x 3</p>  <p>M4X10mm</p>	<p>(G) x 1</p> 	<p>(H) x 4</p> 	
<p>(J) x 4</p>  <p>CL + DR + CR + DL</p> <p>14"</p>				
<p>(I) x 1</p> 	<p>(K) x 6</p>  <p>M6X25mm</p>	<p>(L) x 1</p>  <p>#3</p>	<p>(M) x 1</p>  <p>#4</p>	
<p>(N) x 4</p> 	<p>(O) x 2</p> 	<p>(P) x 28</p>  <p>Ø3.5X12mm</p>	<p>(Q) x 2</p> 	
<p>(R) x 2</p>  <p>D3X15mm</p>	<p>(S) x 1</p> 	<p>(T) x 2</p> 	<p>(U) x 8</p>  <p>M6X10mm</p>	<p>(V) x 1</p>  <p>M4X15mm</p>

HARDWARE LIST

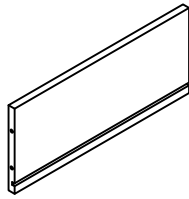
① x 1 	② x 1 	③ x 1 	④ x 1 
⑤ x 1 	⑥ x 1 	⑦ x 1 	⑧ x 2 
⑨ x 2 	⑩ x 2 	⑪ x 2 	⑫ x 2 
⑬ x 1 	⑭ x 1 	⑮ x 1 	⑯ x 1 
⑰ x 1 	⑱ x 2 	⑲ x 1 	⑳ x 3 
㉑ x 1 	㉒ x 3 	㉓ x 3 	㉔ x 3 

HARDWARE LIST

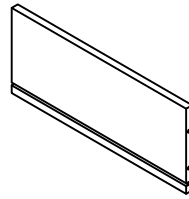
25 x 3



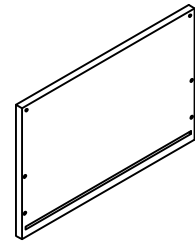
26 x 1



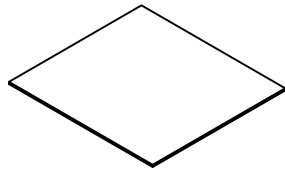
27 x 1



28 x 1

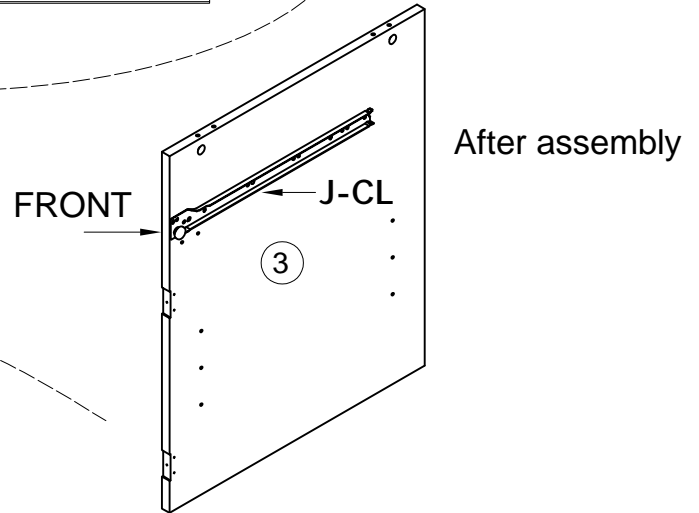
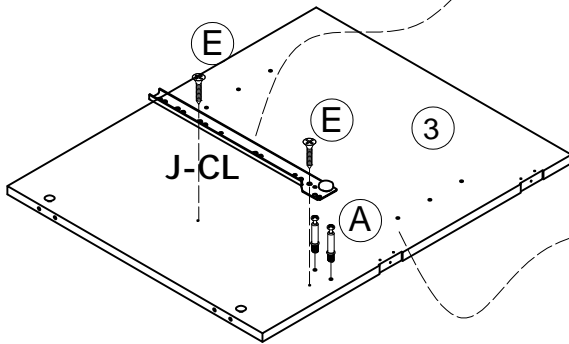
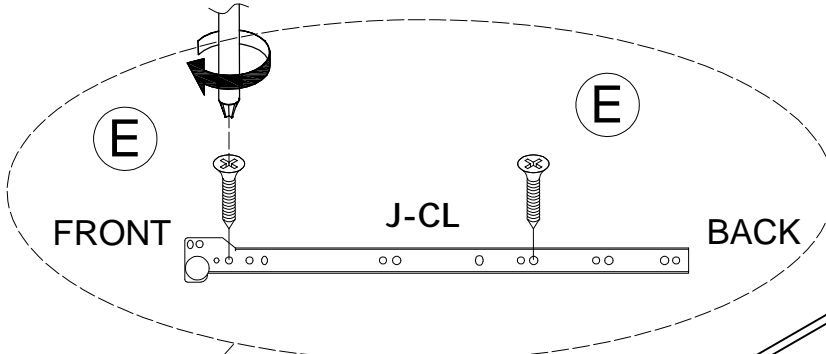
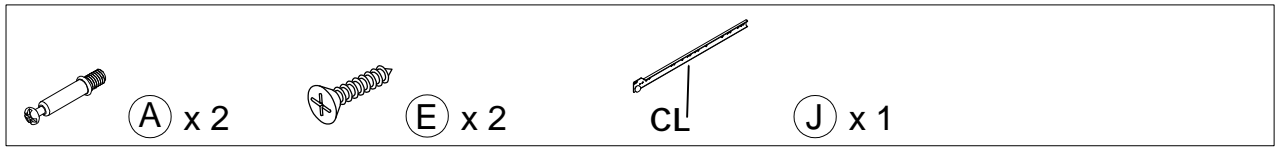


29 x 1

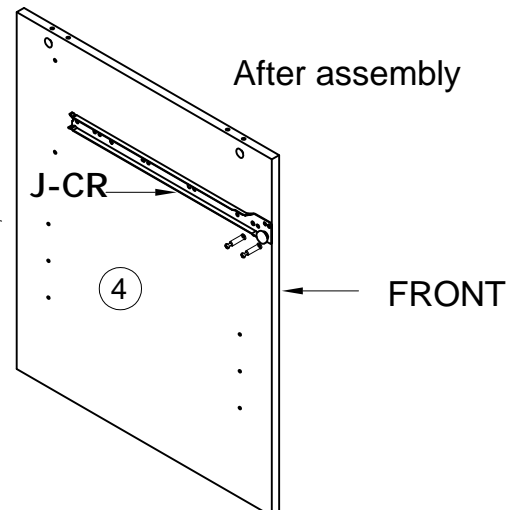
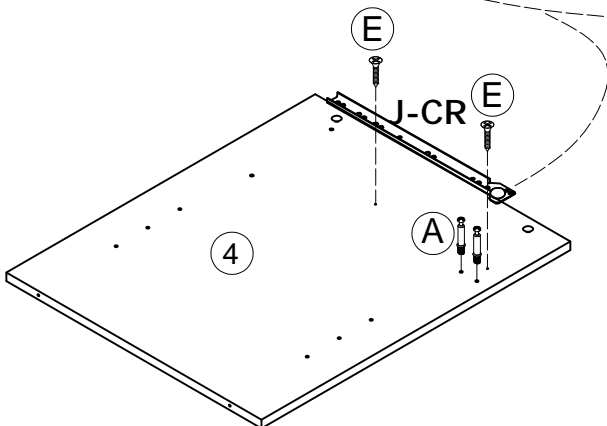
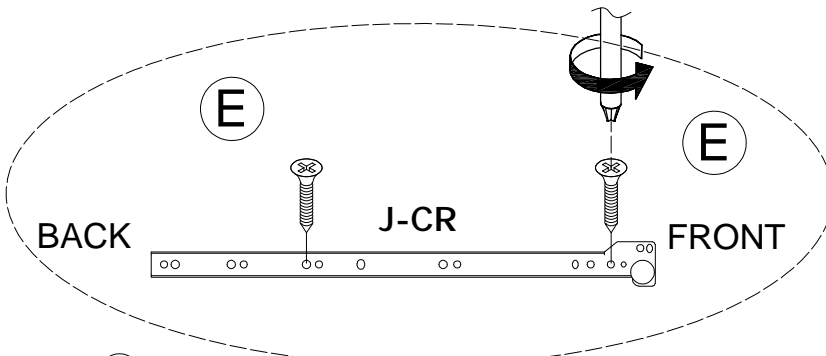
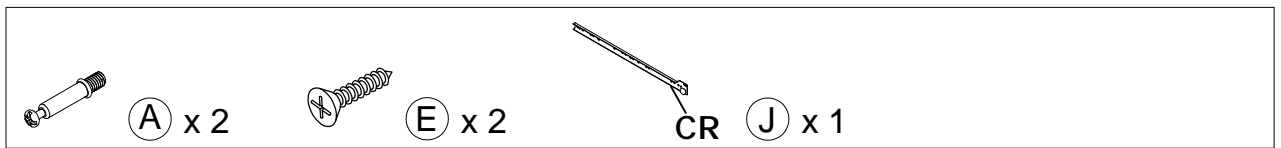


PRODUCT ASSEMBLY

1



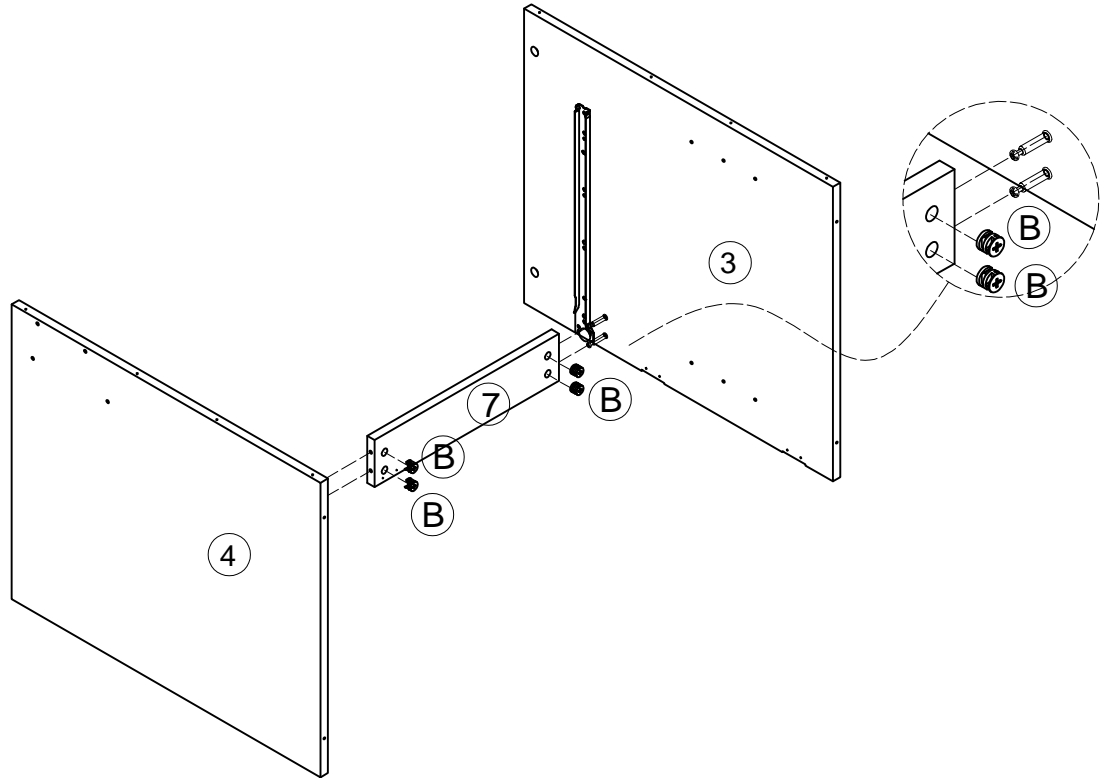
2



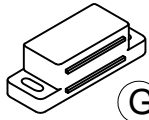
5



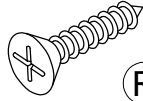
(B) x 4



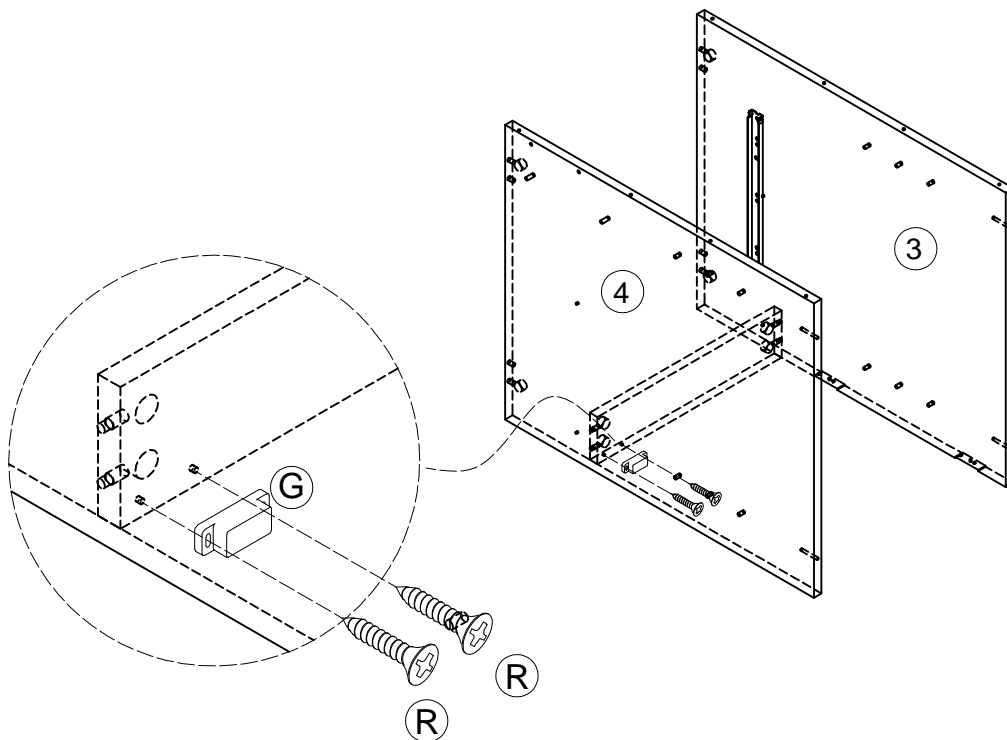
6



(G) x 1

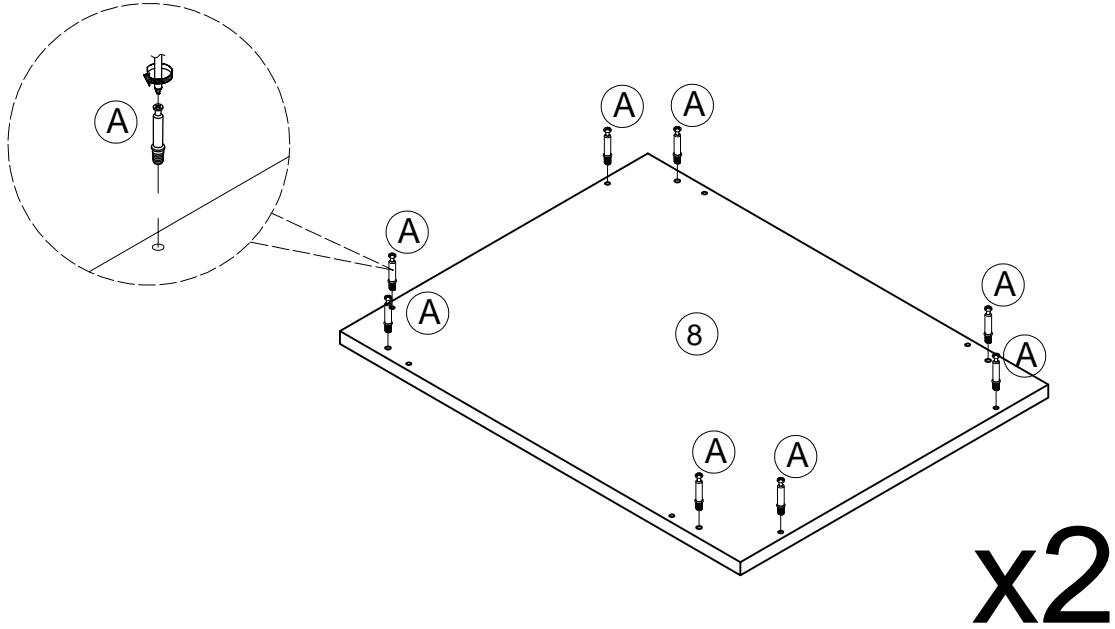


(R) x 2





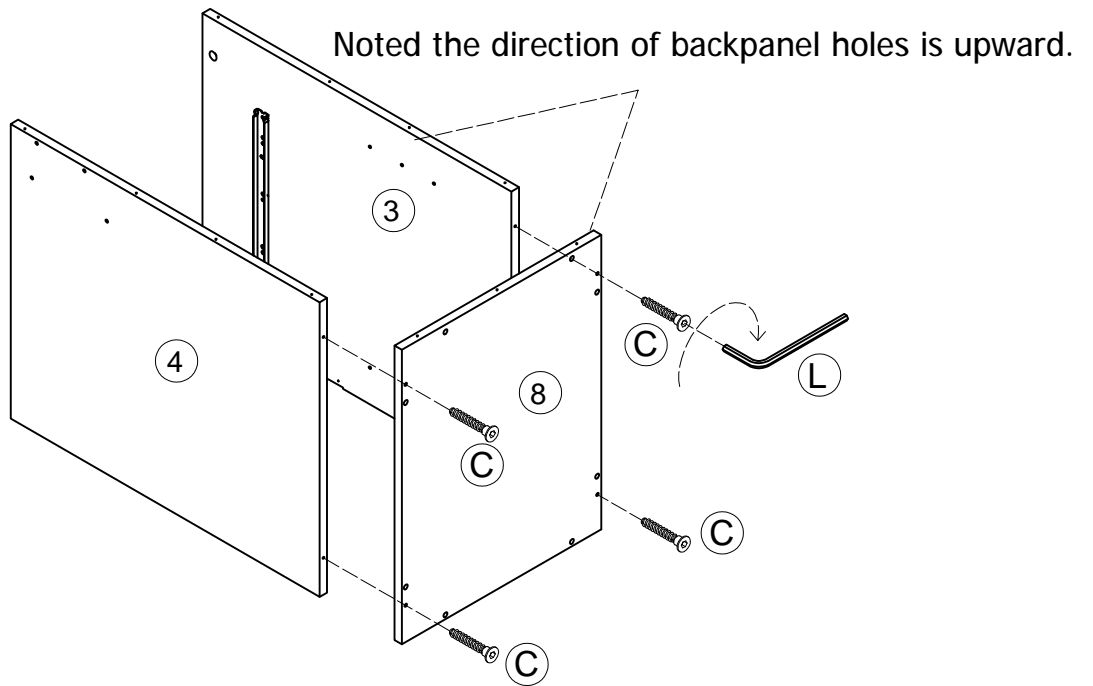
7

 (A) x 16

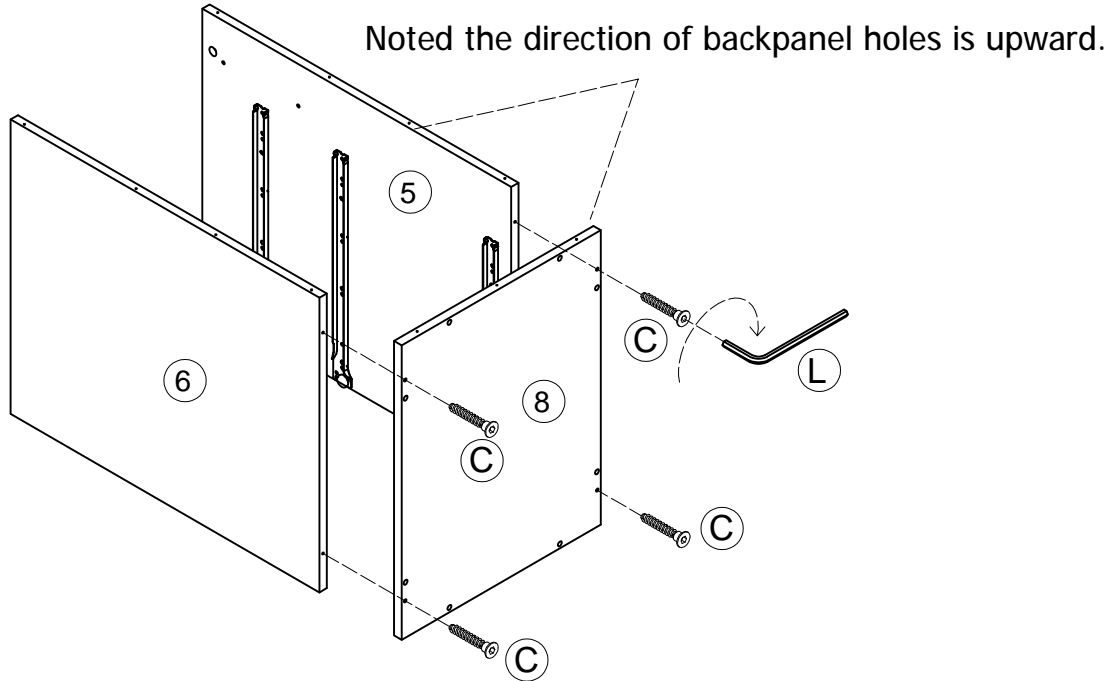


8

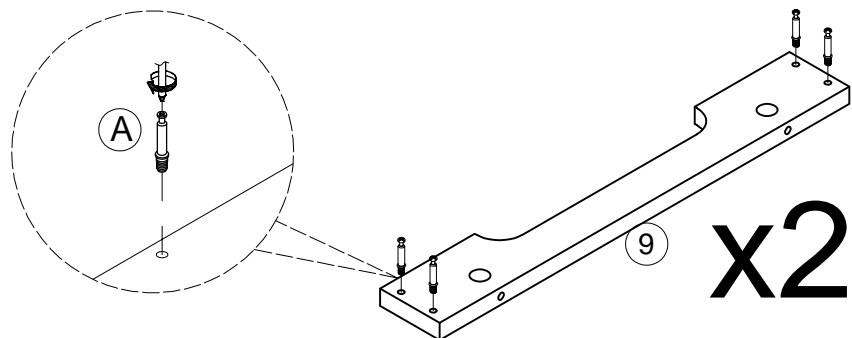
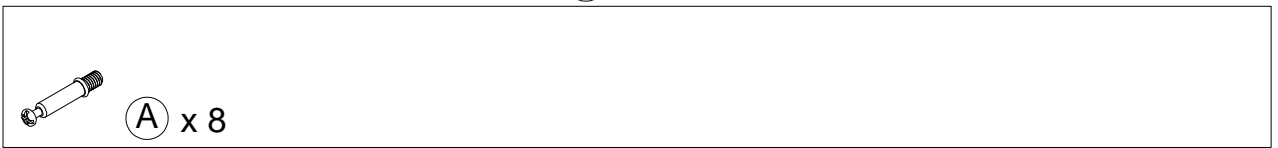
 (C) x 4  (L) x 1



9

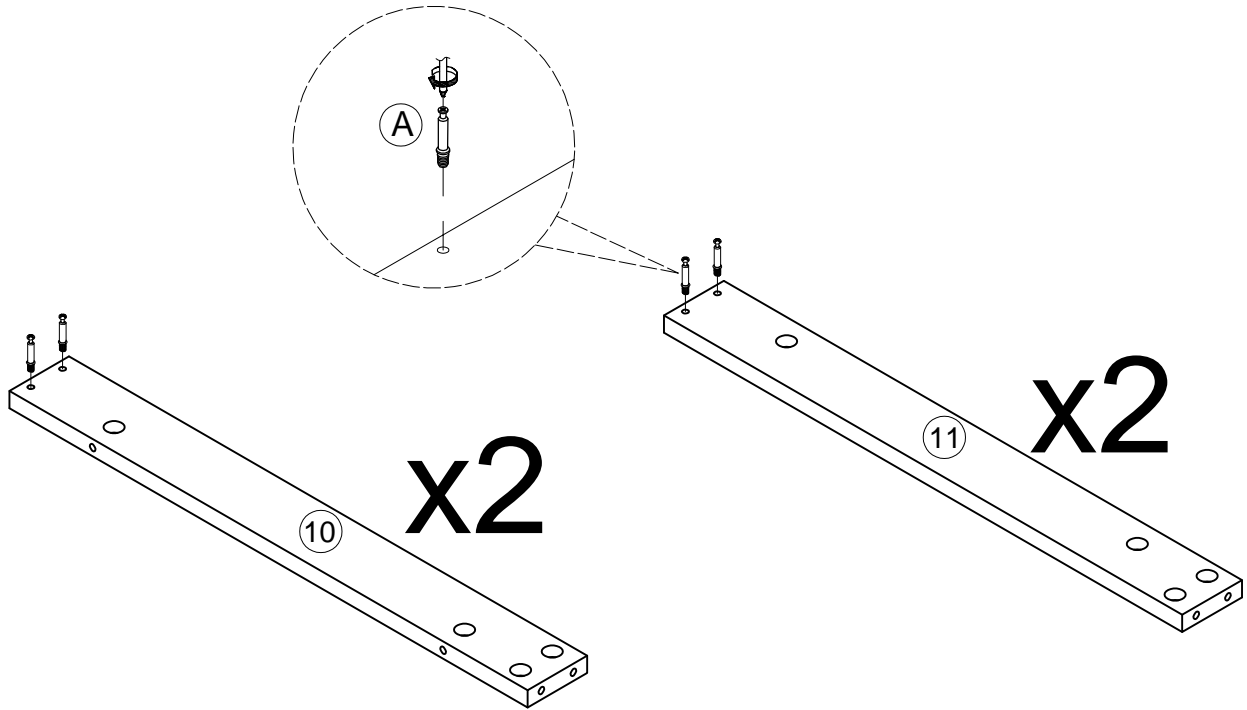


10



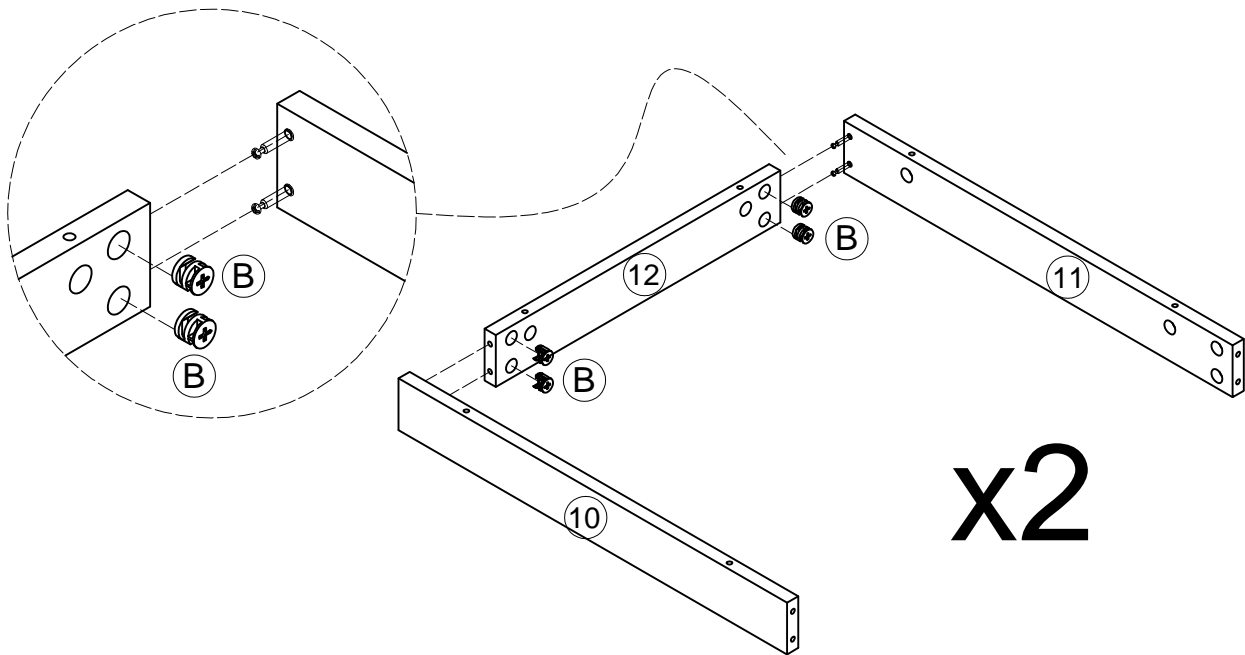
11

 (A) x 8



12

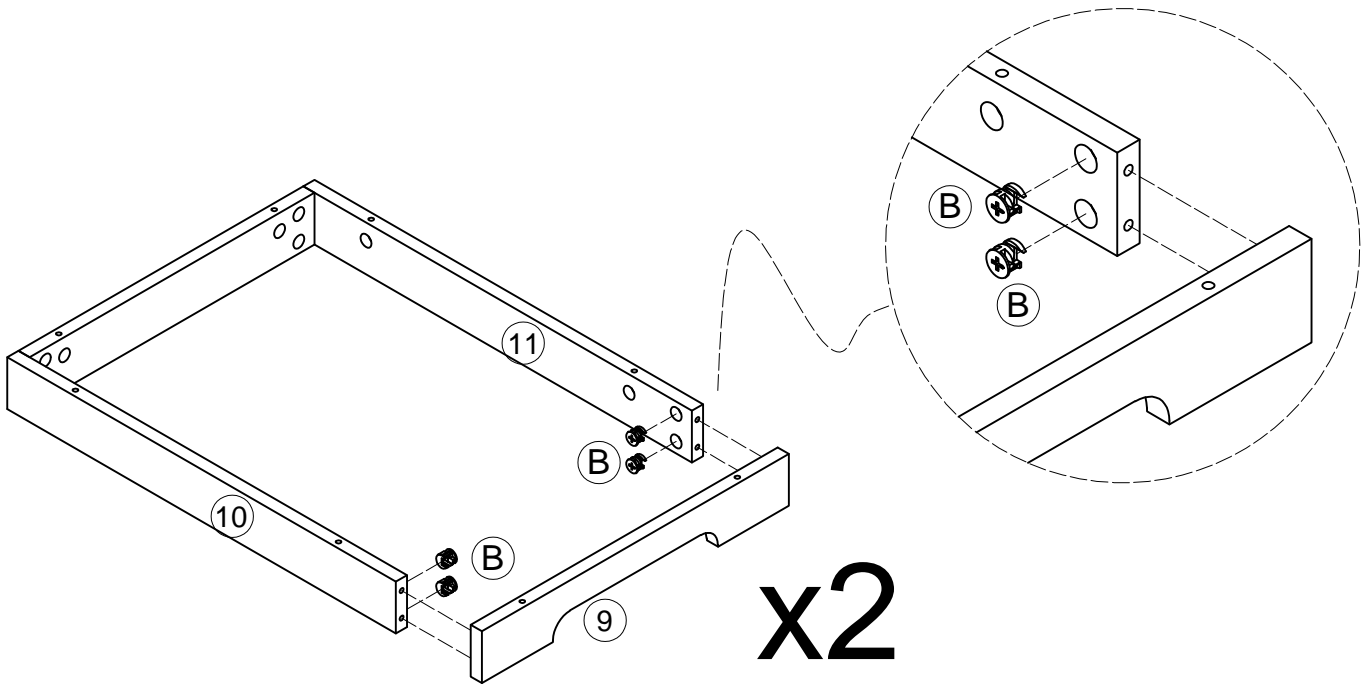
 (B) x 8



13



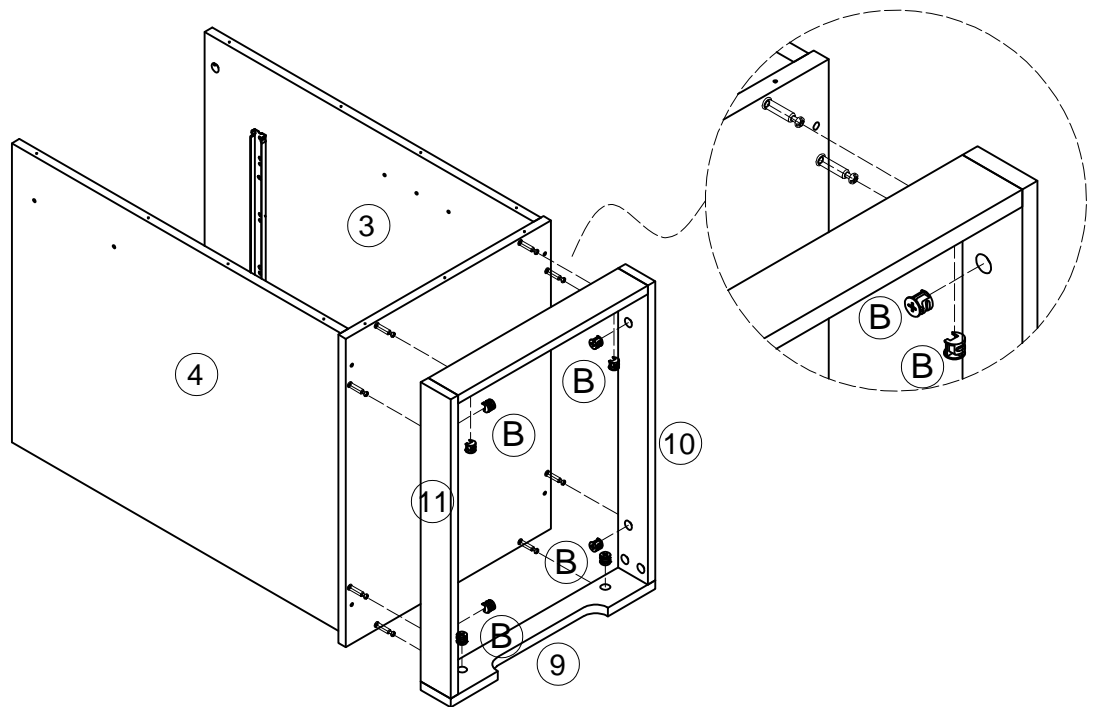
(B) x 8



14



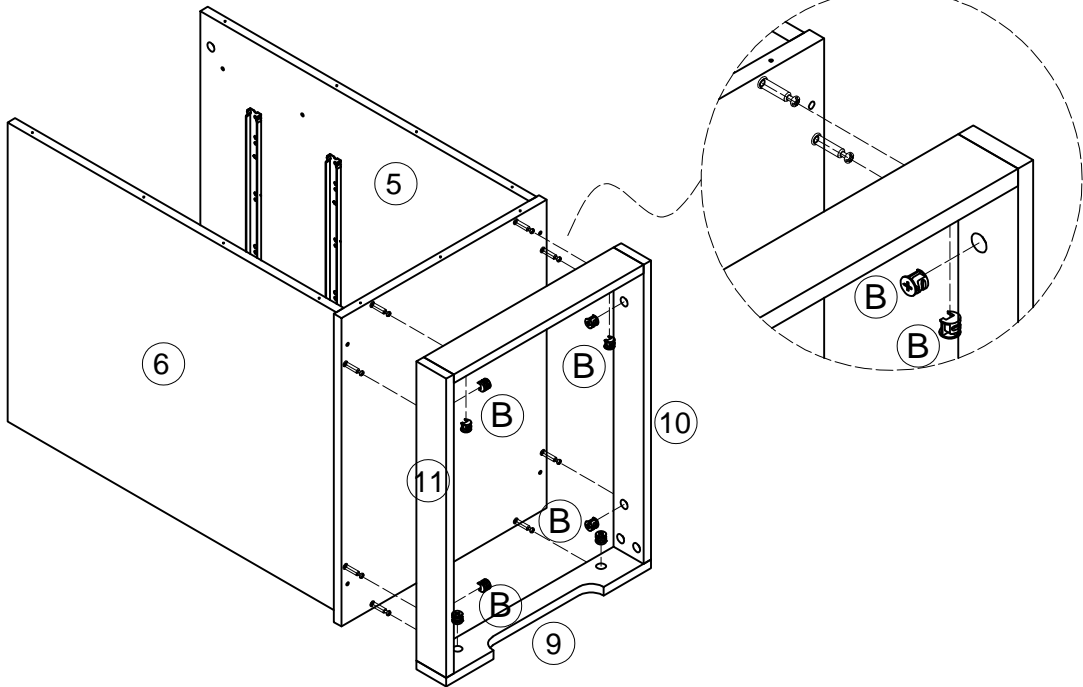
(B) x 8



15



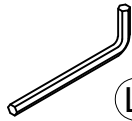
(B) x 8



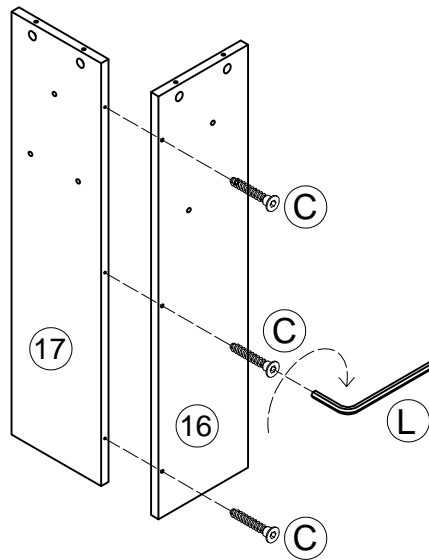
16



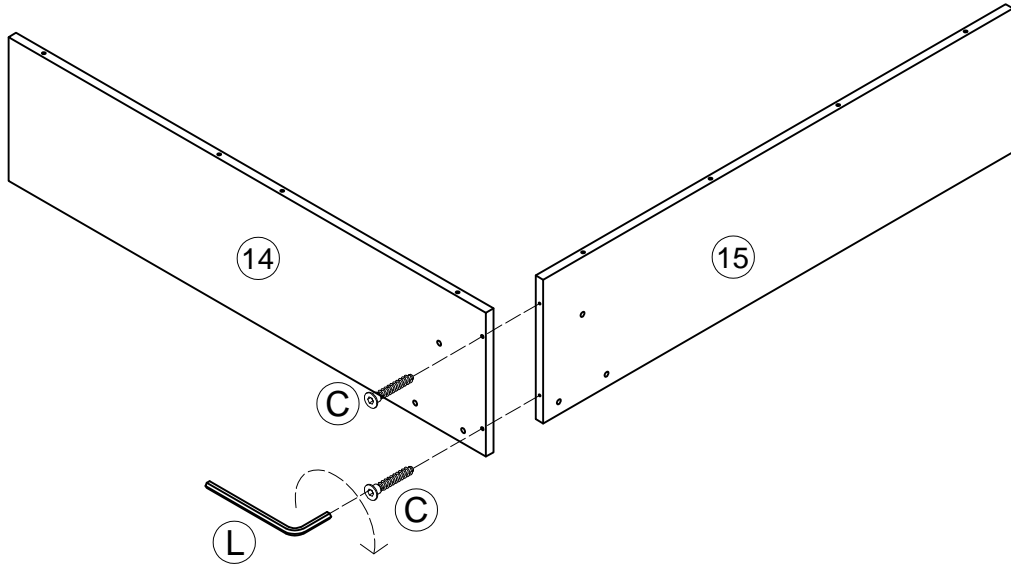
(C) x 3



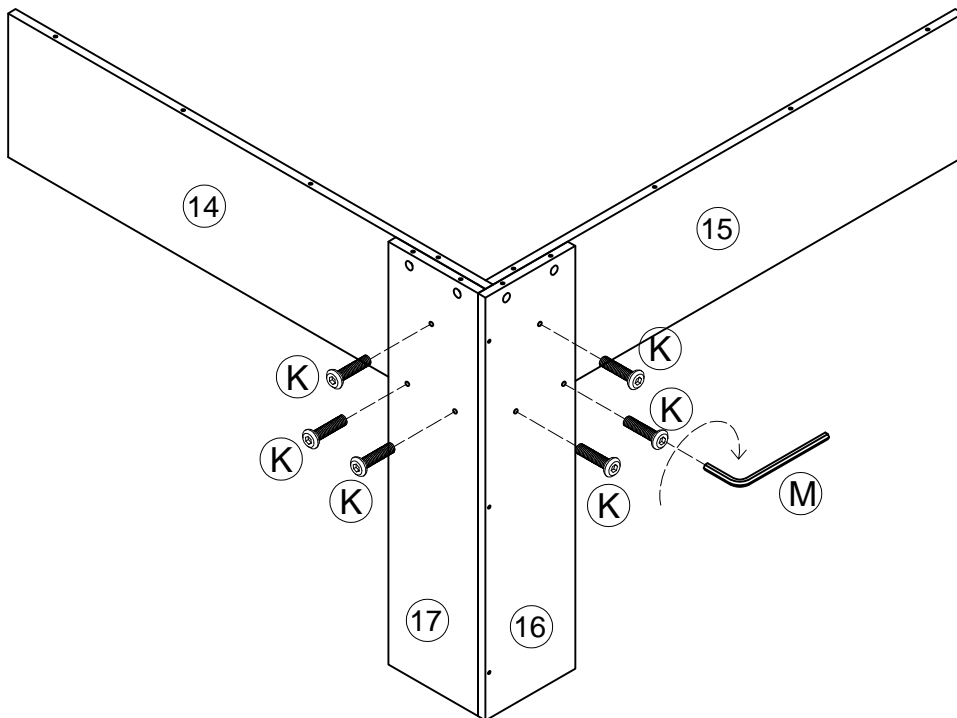
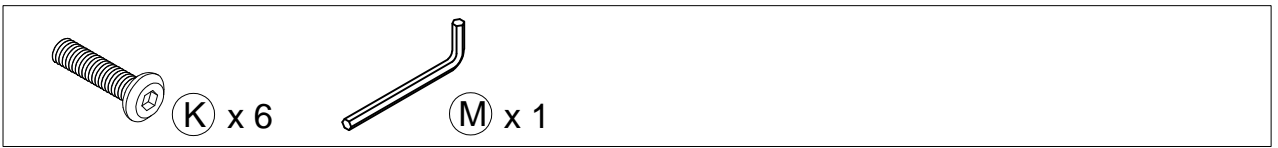
(L) x 1



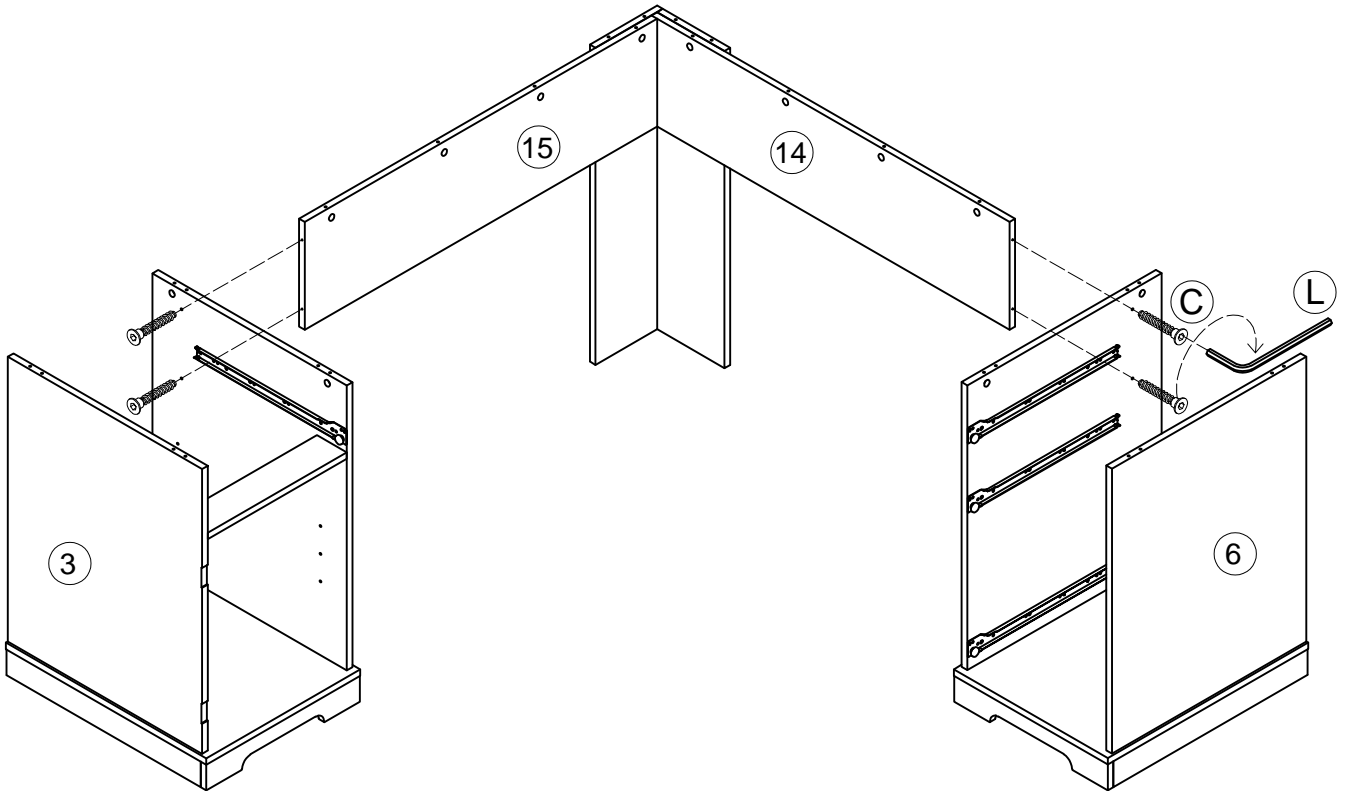
17



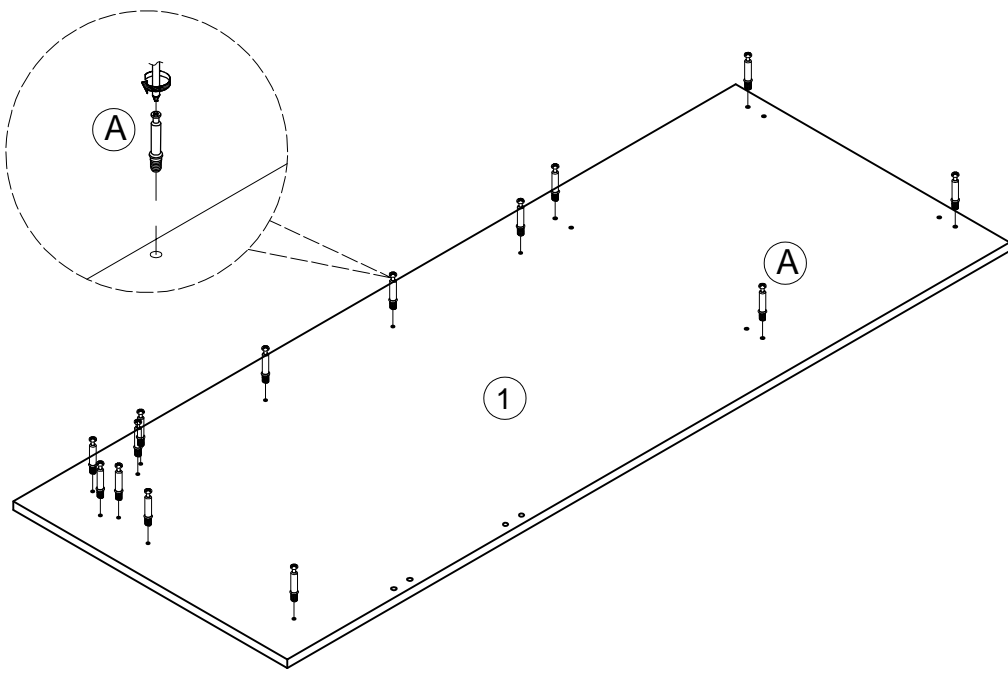
18



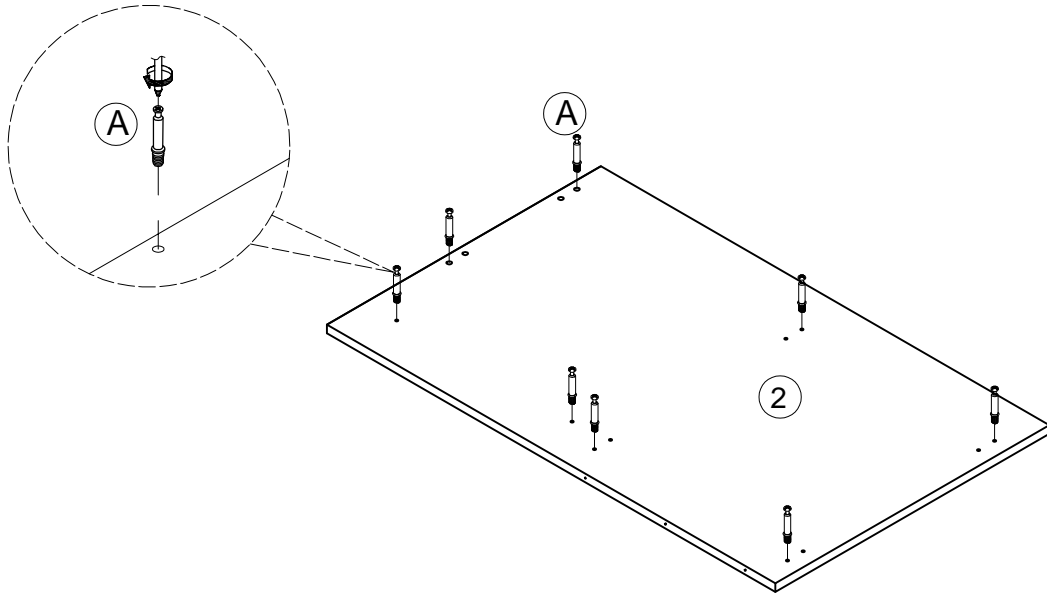
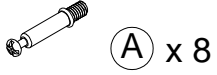
19



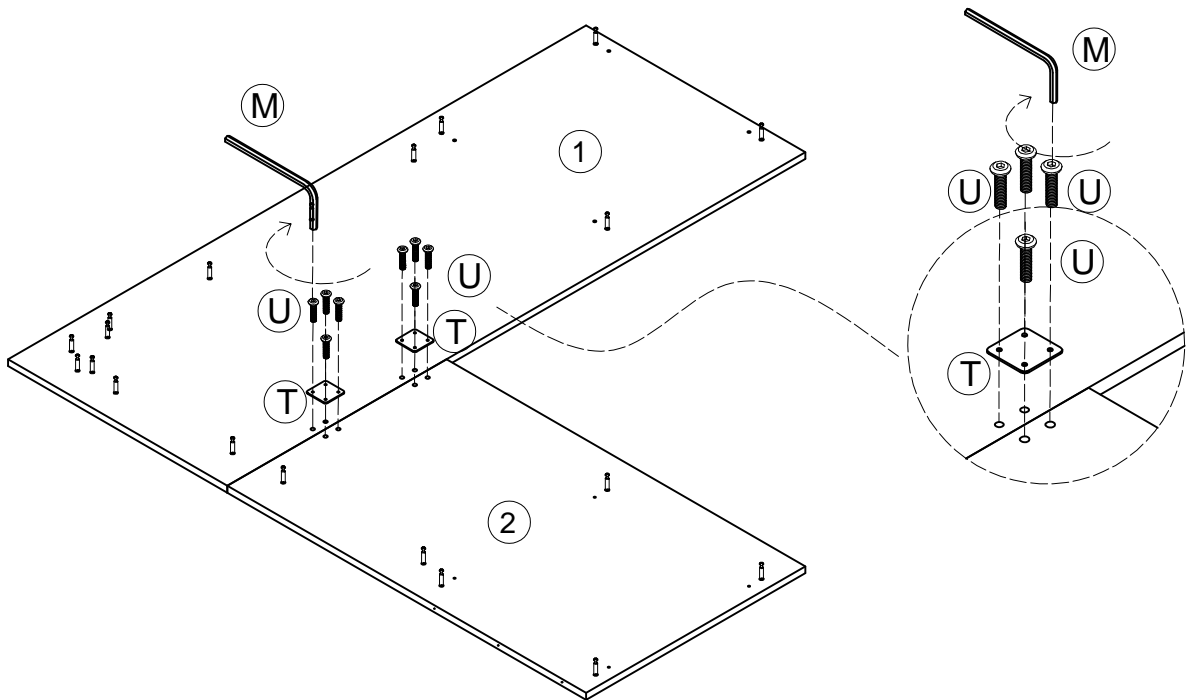
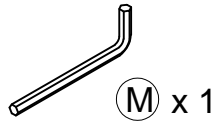
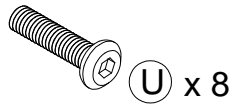
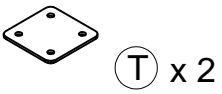
20



21



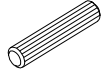
22



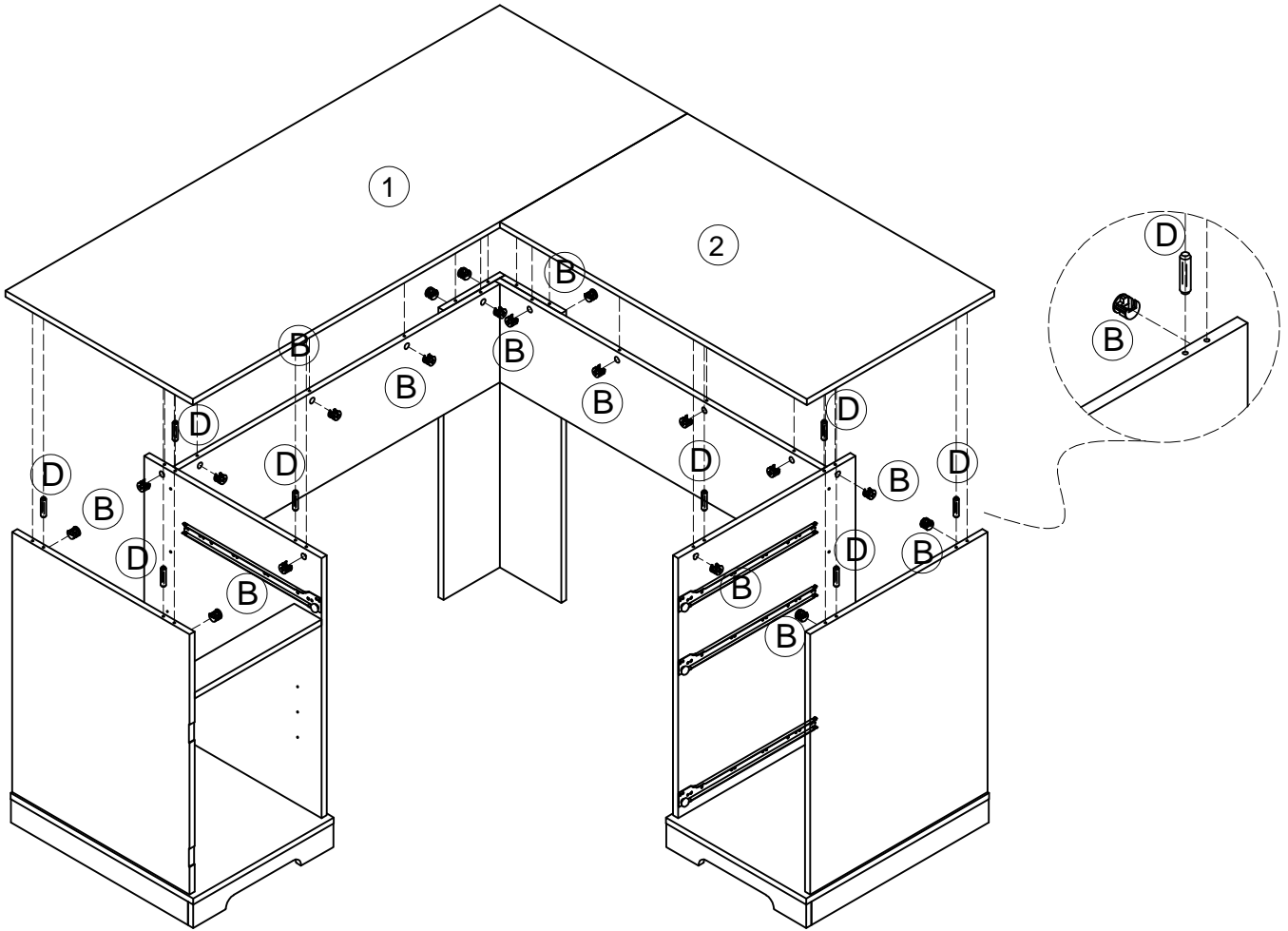
23



(B) x 22



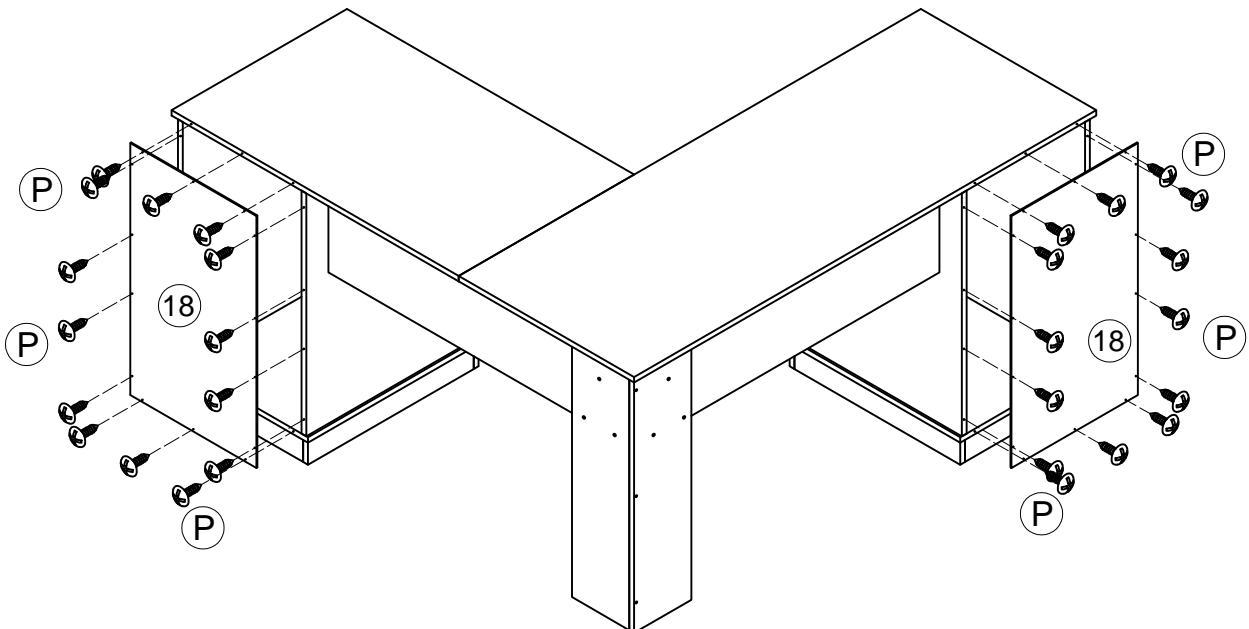
(D) x 8



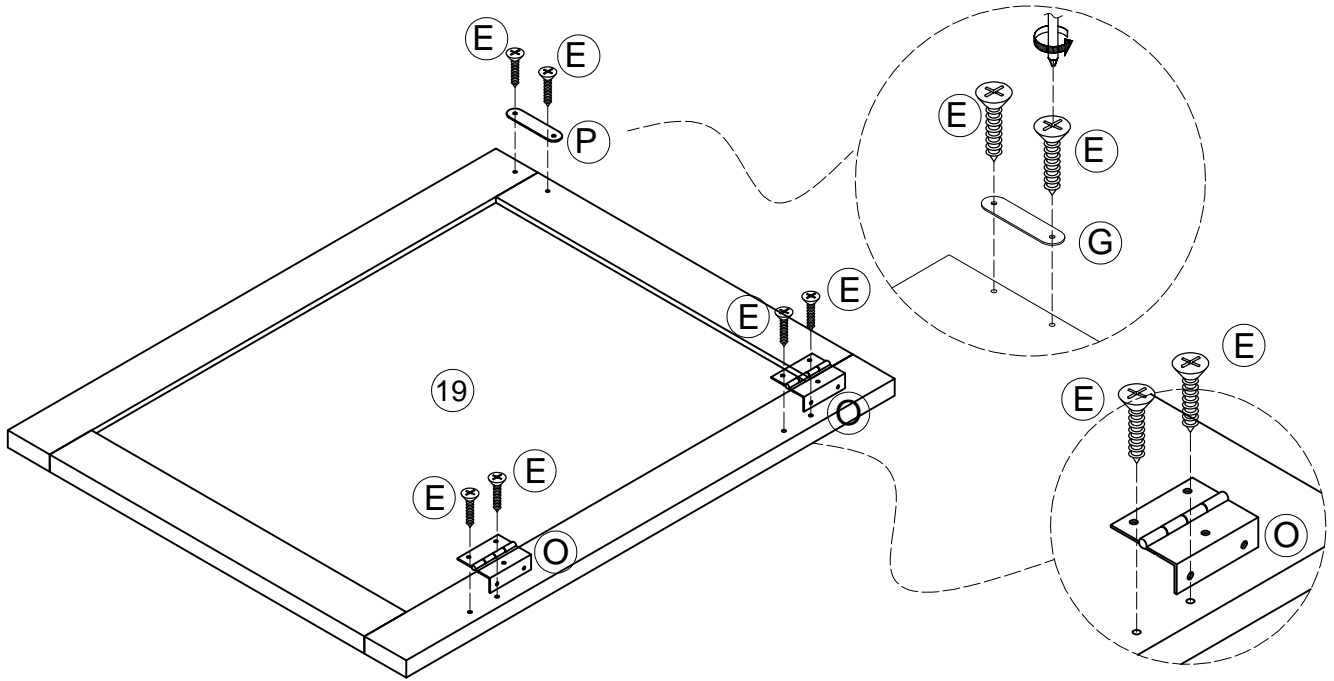
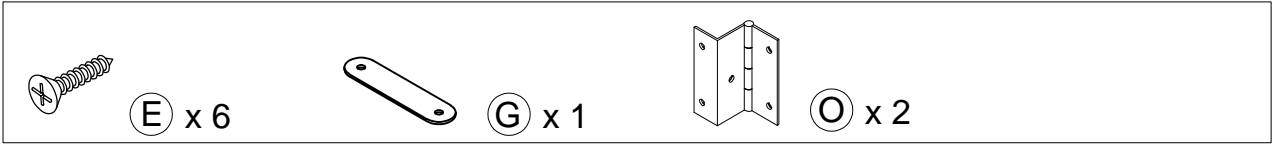
24



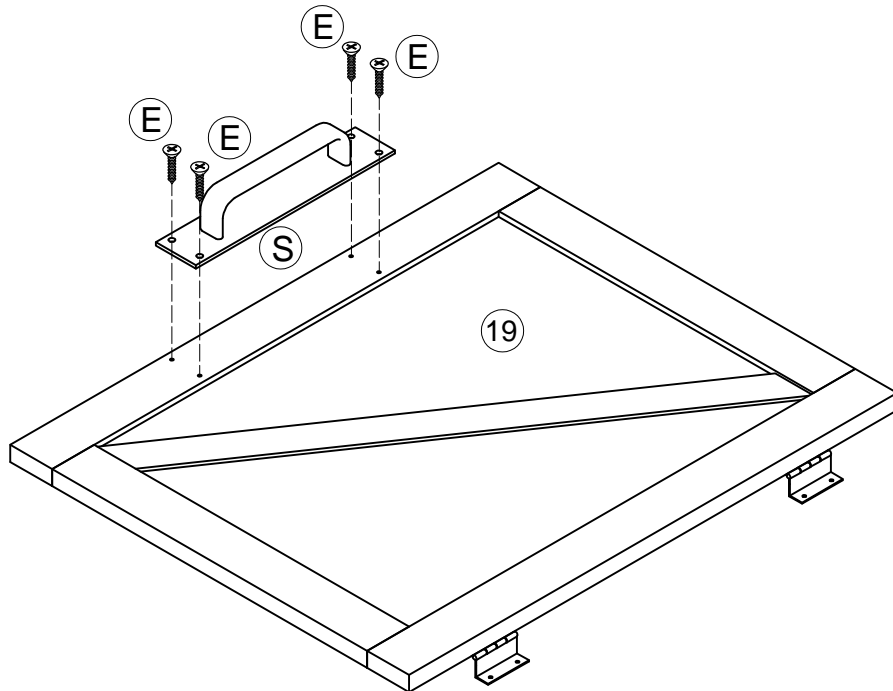
(P) x 28



25



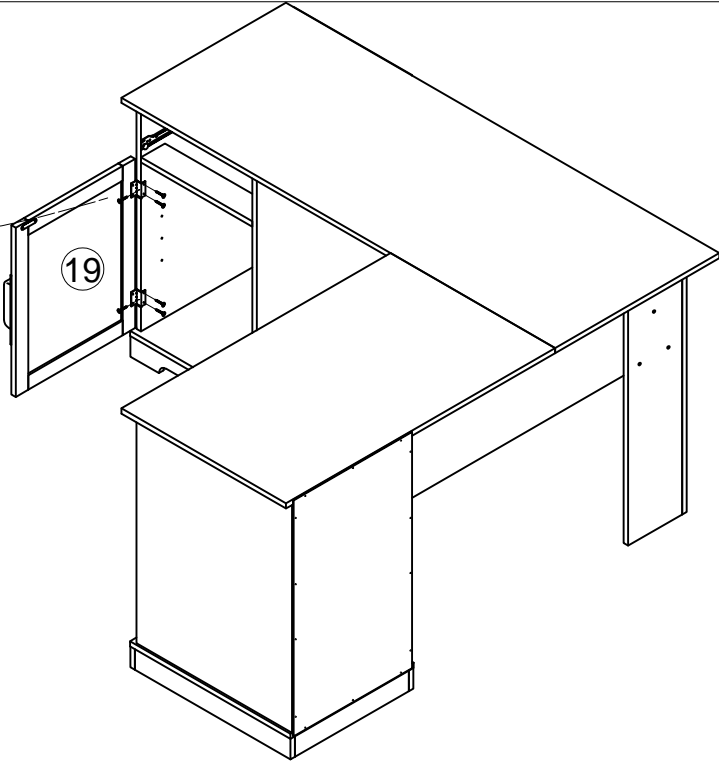
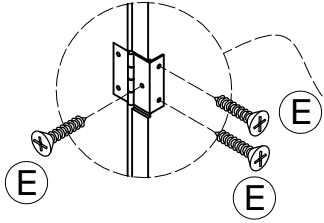
26



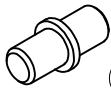
27



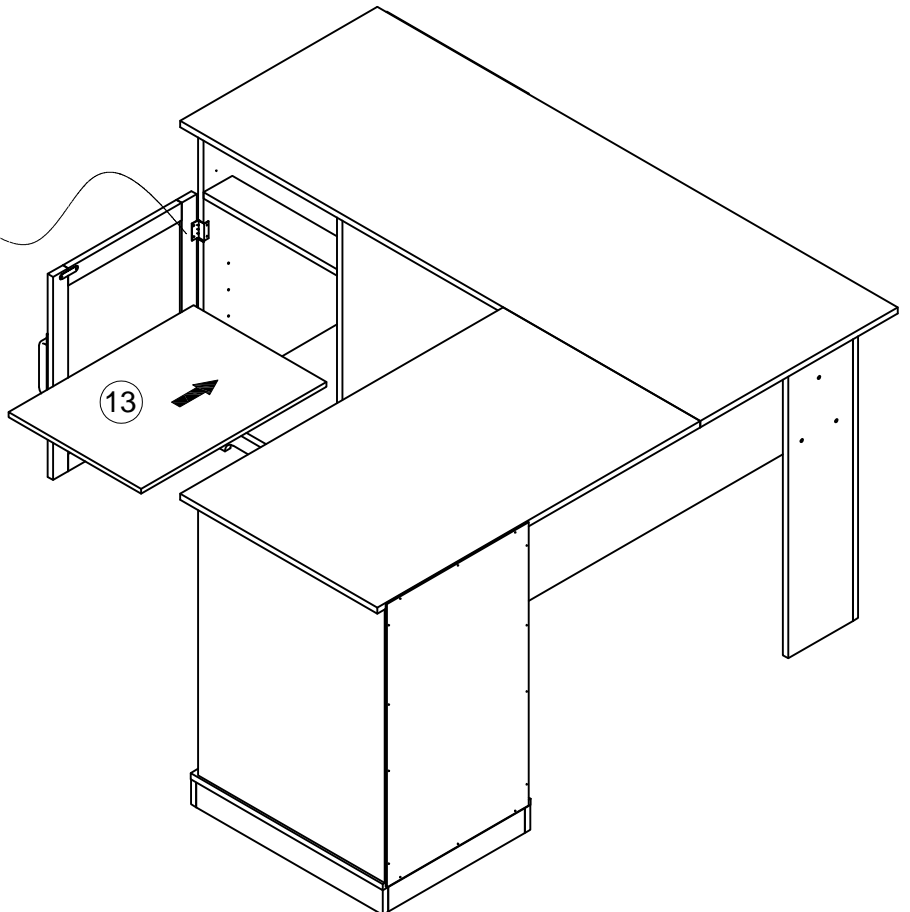
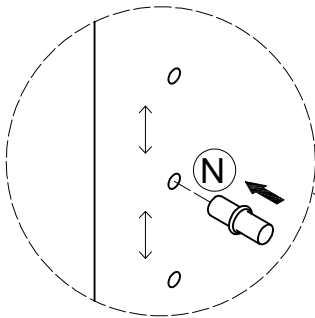
ⓔ x 6



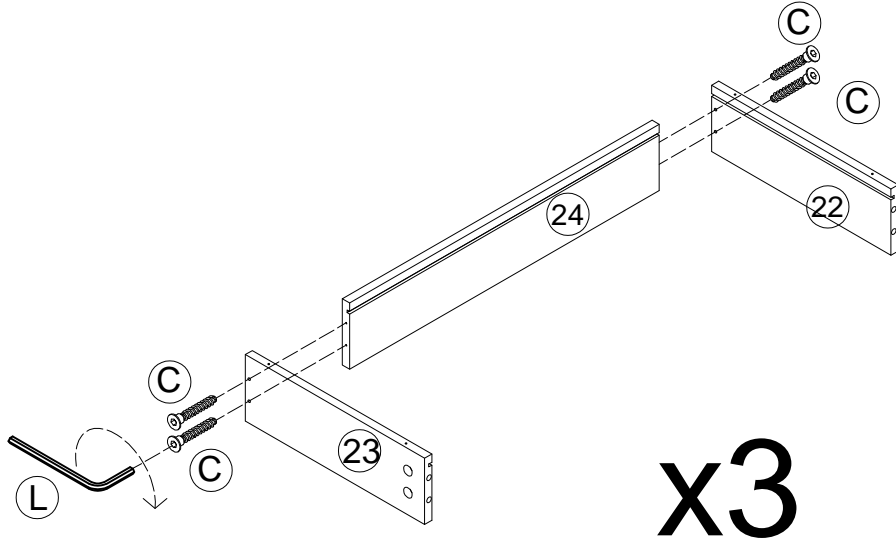
28



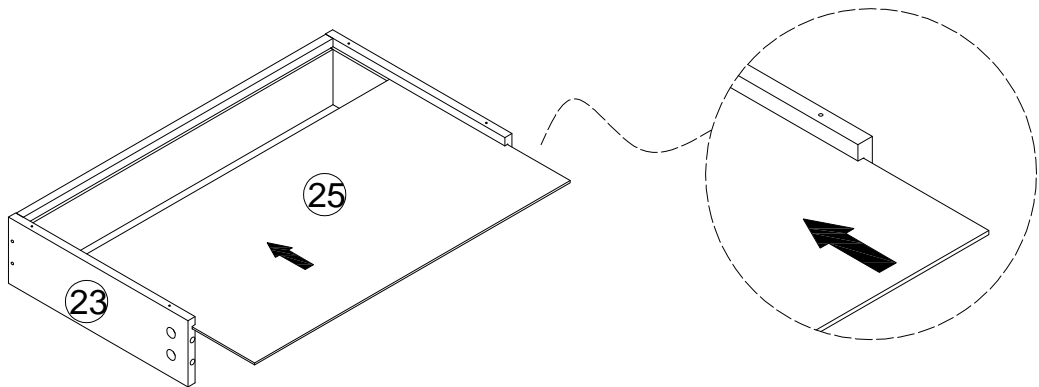
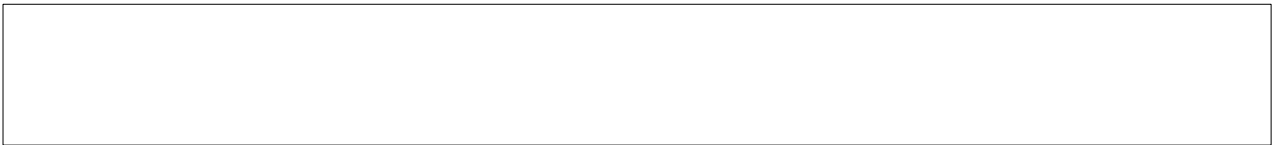
Ⓝ x 4



29



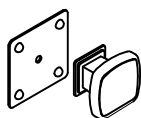
30



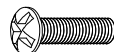
31



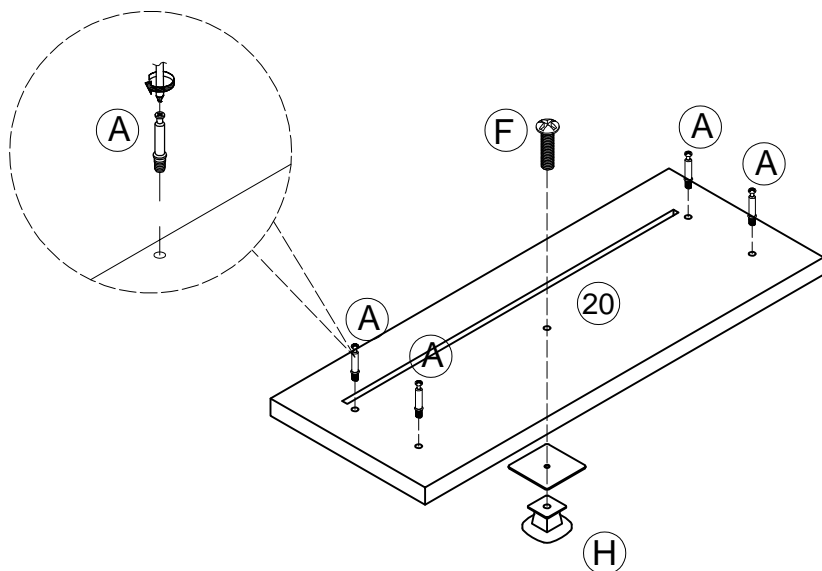
(A) x 12



(H) x 3



(F) x 3

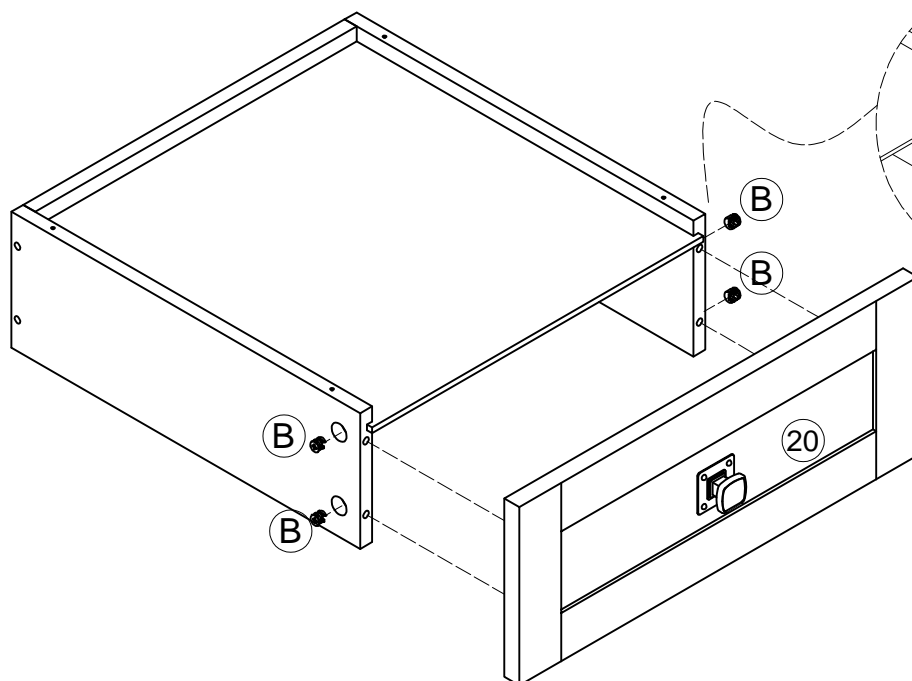


x3

32

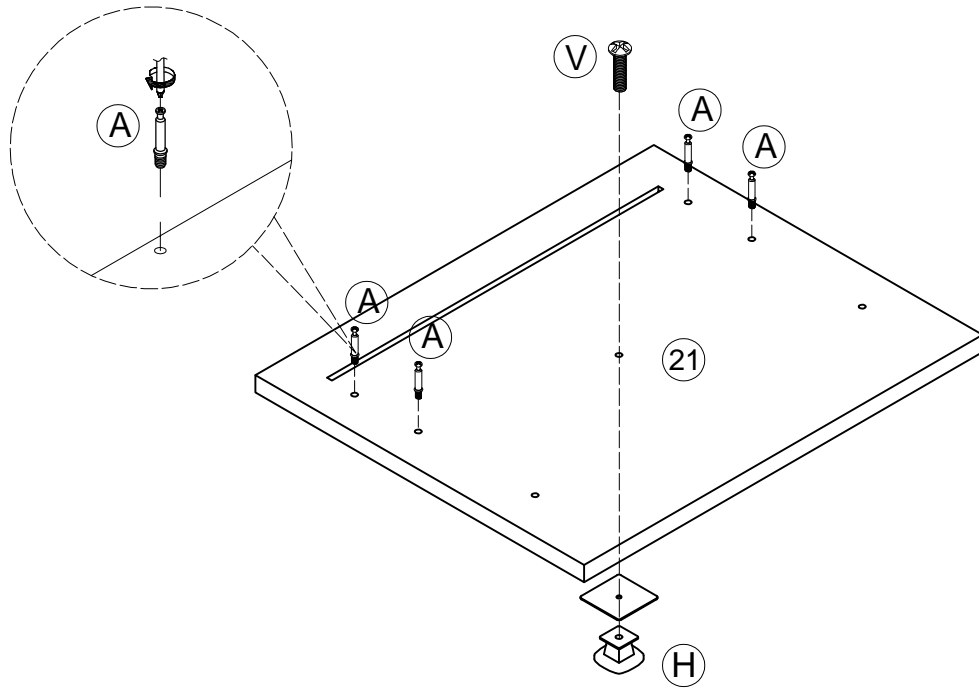
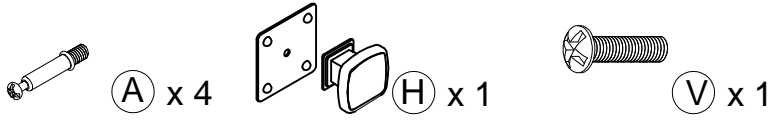


(B) x 12

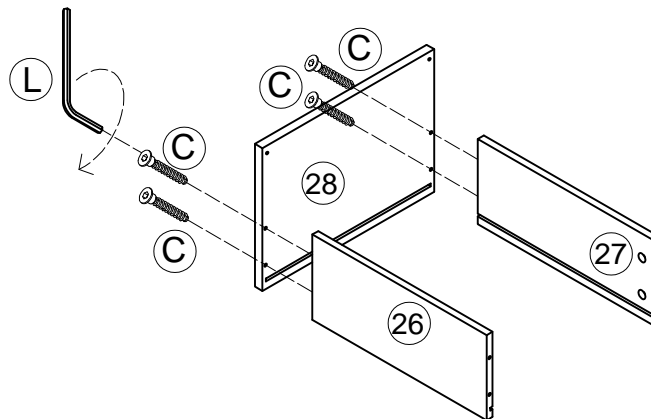
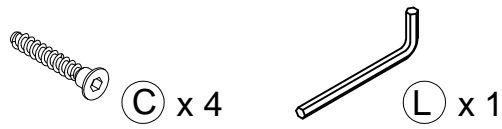


x3

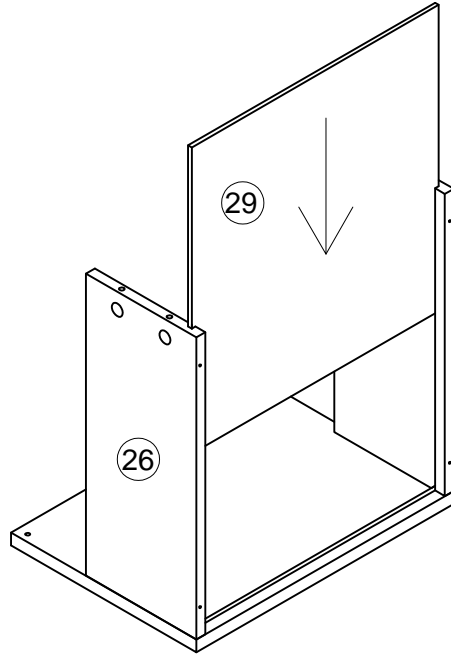
34



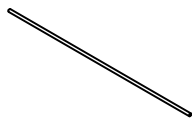
35



36



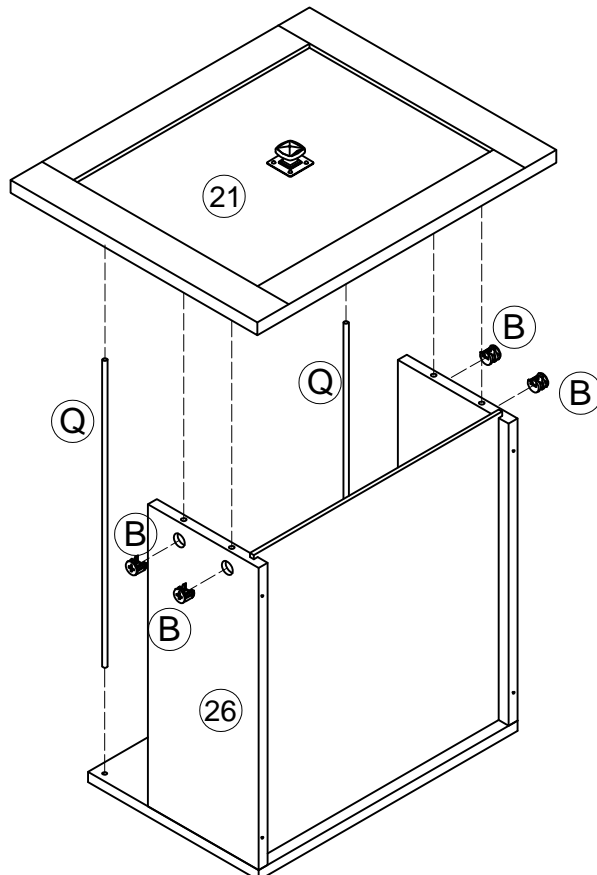
37



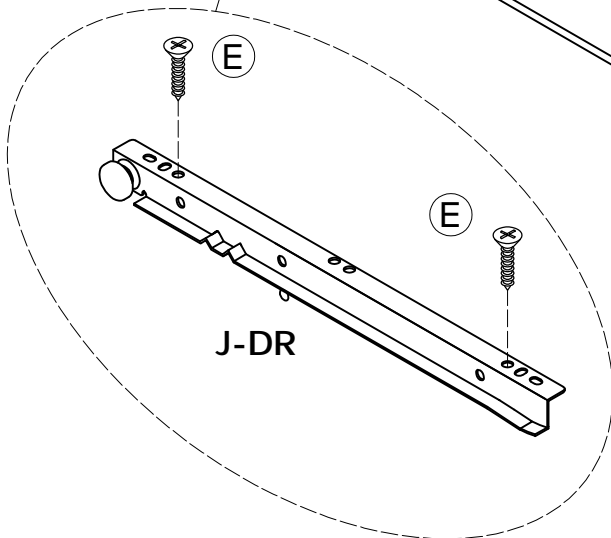
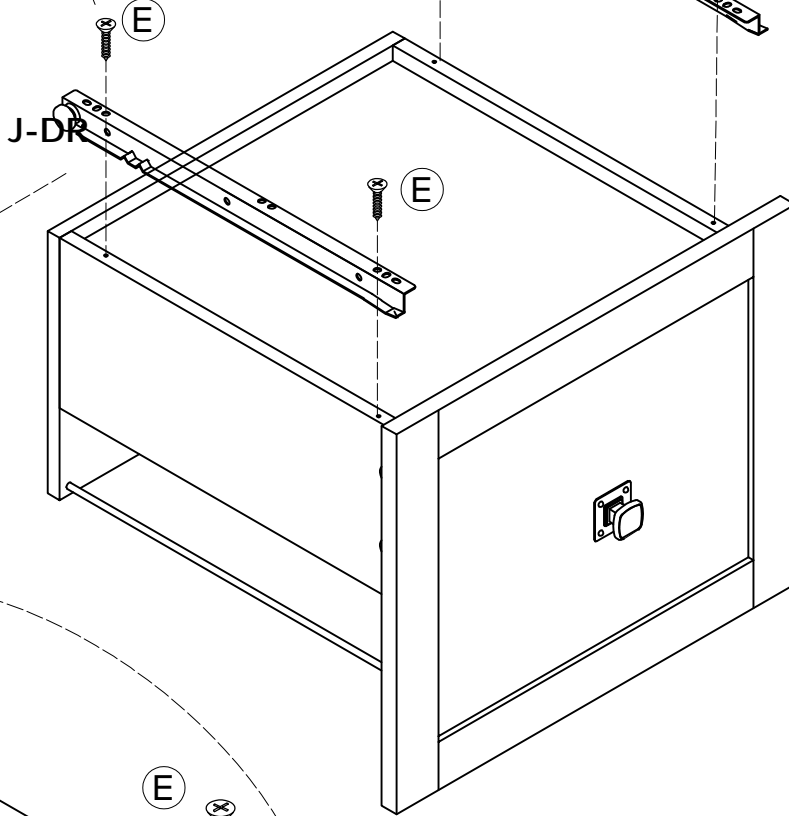
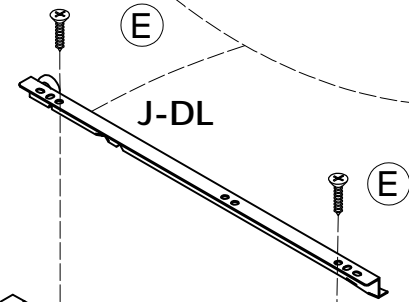
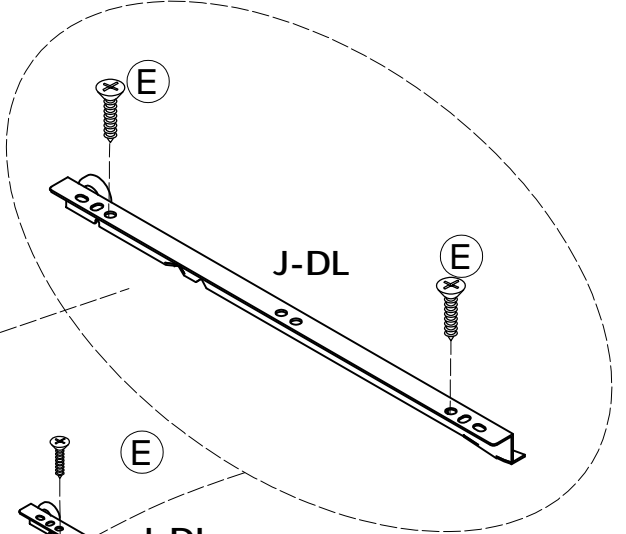
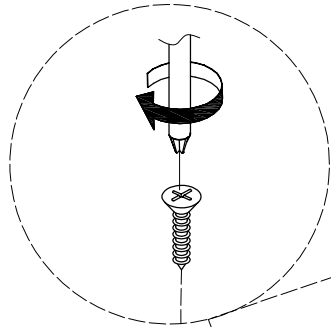
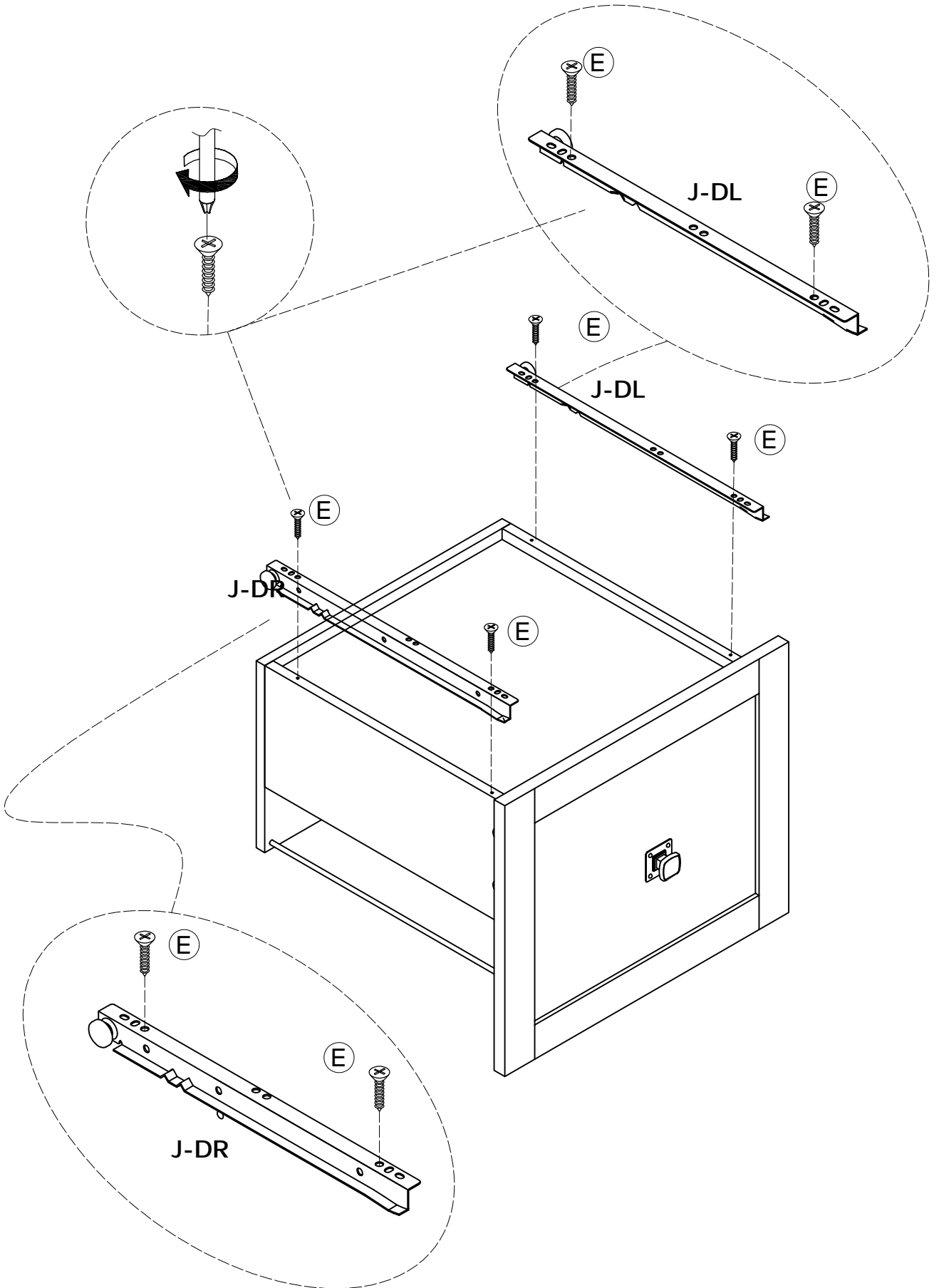
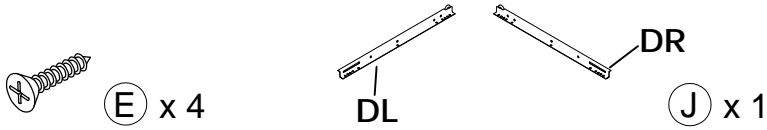
Q x 2



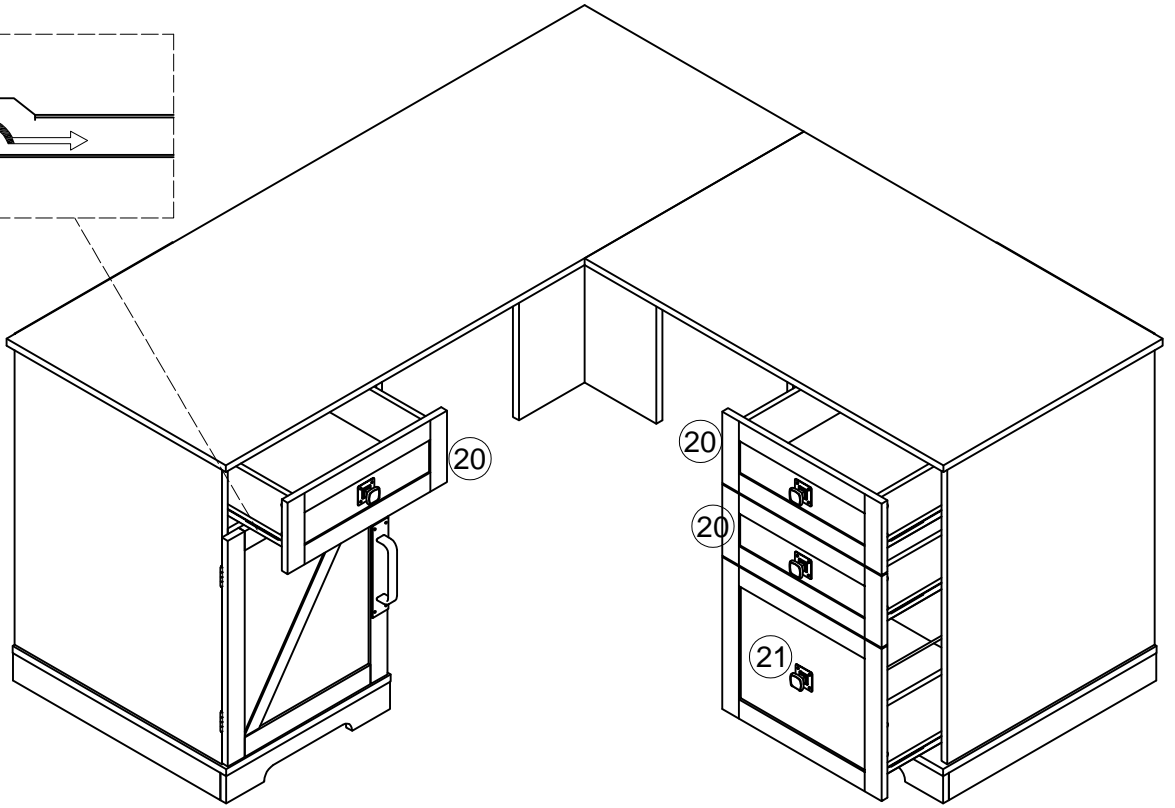
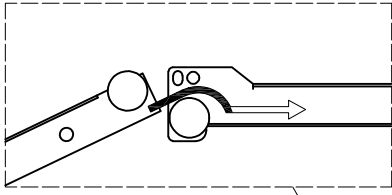
B x 4



38

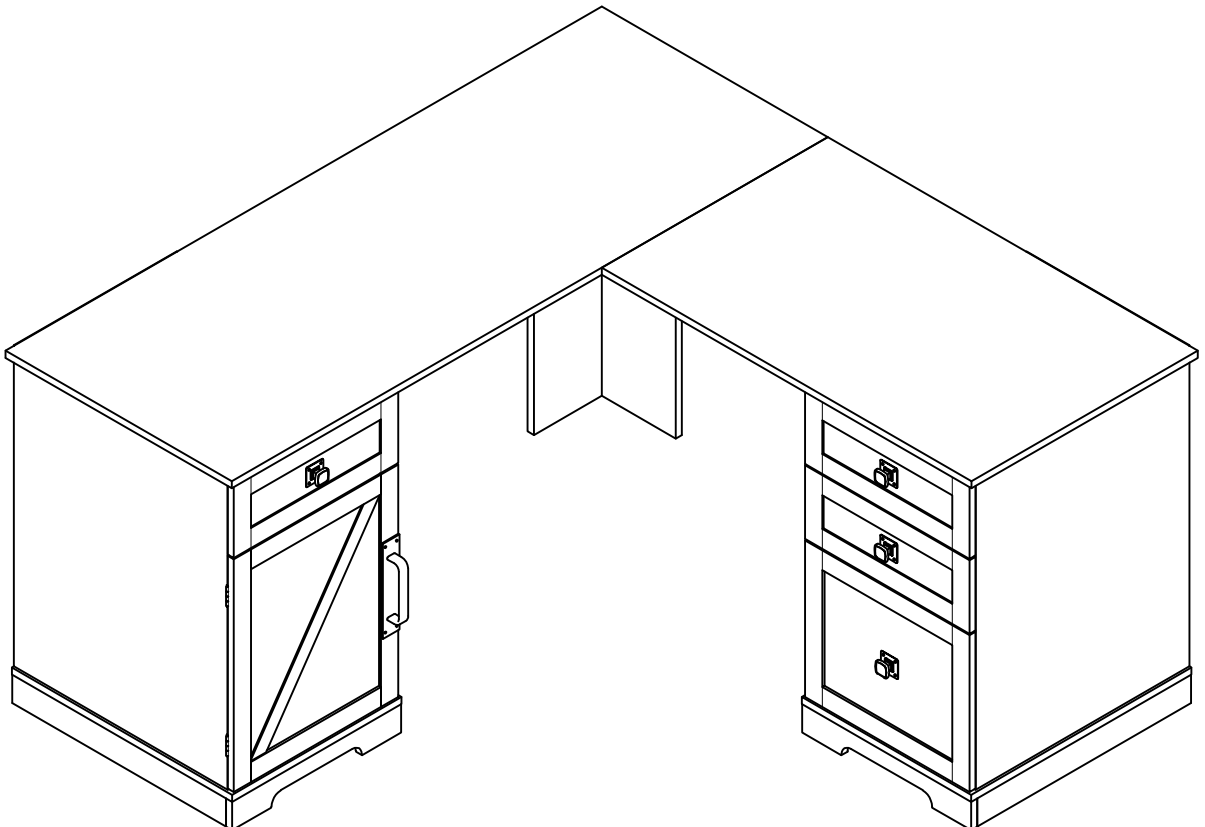


39



40

Finished assembly



IMPORTANT SAFETY INFORMATION

Please carefully read the instructions and caution warnings below before assembling the product. Following this guide will ensure that you install, use and maintain the product properly.

Please keep this installation and user manual/instructions for future reference in case you need to assemble the product.

Do not assemble if you notice serious damage such as cracks or bends.

During installation, please use work gloves for hand safety.

Please assemble the unit on carpeted floor or the flat cardboard box to avoid scratching the surface or your floor while assembling on the floor.

To assemble, please use the complimentary installation tools (Allen Wrench). Pay more attention to the direction of components at each step.

It is recommended that two people work together to assemble the product.

Please do not tighten the screws up too much, just to 80 % before you finish to make the installation go on successfully.

RETURN POLICY

We believe you will absolutely love your new product. But for some reason you want to return your item, please contact us within 30 days after receiving and ensure that the product which you want to return is in a good condition in the original box with all original certificates of purchase, manuals and accessories attached.

HOW TO MAINTAIN YOUR PRODUCT:

Check the screws of the product are not loose from regular use.

Do not use sharp instruments, rubbing alcohol, corrosive chemicals, or abrasive cleaners to clean the product.

Do not keep the product in a damp environment for a long period of time. The damp environment may cause the iron components to rust and the plates to bulge and crack.