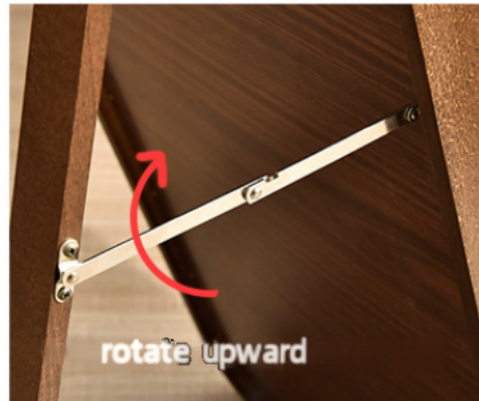


Full-Length Mirror Installation Diagram



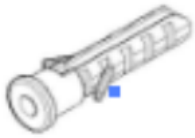
Chain in open state:



Chain in open state:



Vanity Mirror *1



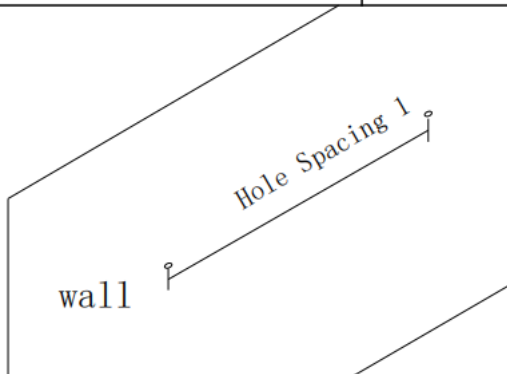
Hole Spacing 1



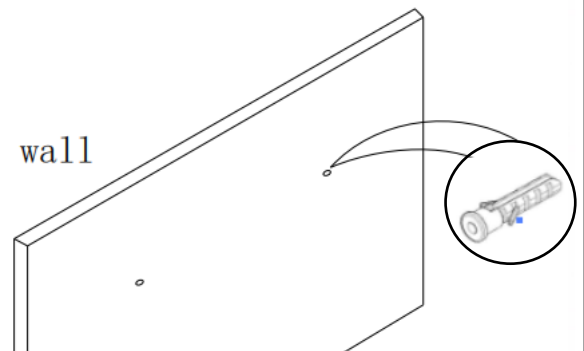
Plastic wall plug
 $\phi 8*40\text{mm}=2$

Quick-fit nut
 $\phi 5*50\text{mm}=2$

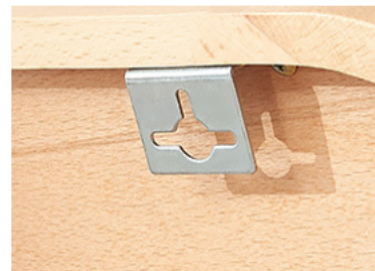
Note: When drilling holes on the wall, measure the distance between the two hardware fittings as Hole Spacing 1.



1. Drill two $\phi 8\text{mm}$ holes in the wall using an electric drill.



2. Insert the plastic wall anchors into the holes.



3. Insert the quick-fit nut into the expansion anchor, leaving 5 mm exposed; do not tighten it flush.

4: With the mirror facing outward, hang the hardware on the back of the vanity mirror onto the quick-fit nuts. Installation complete.