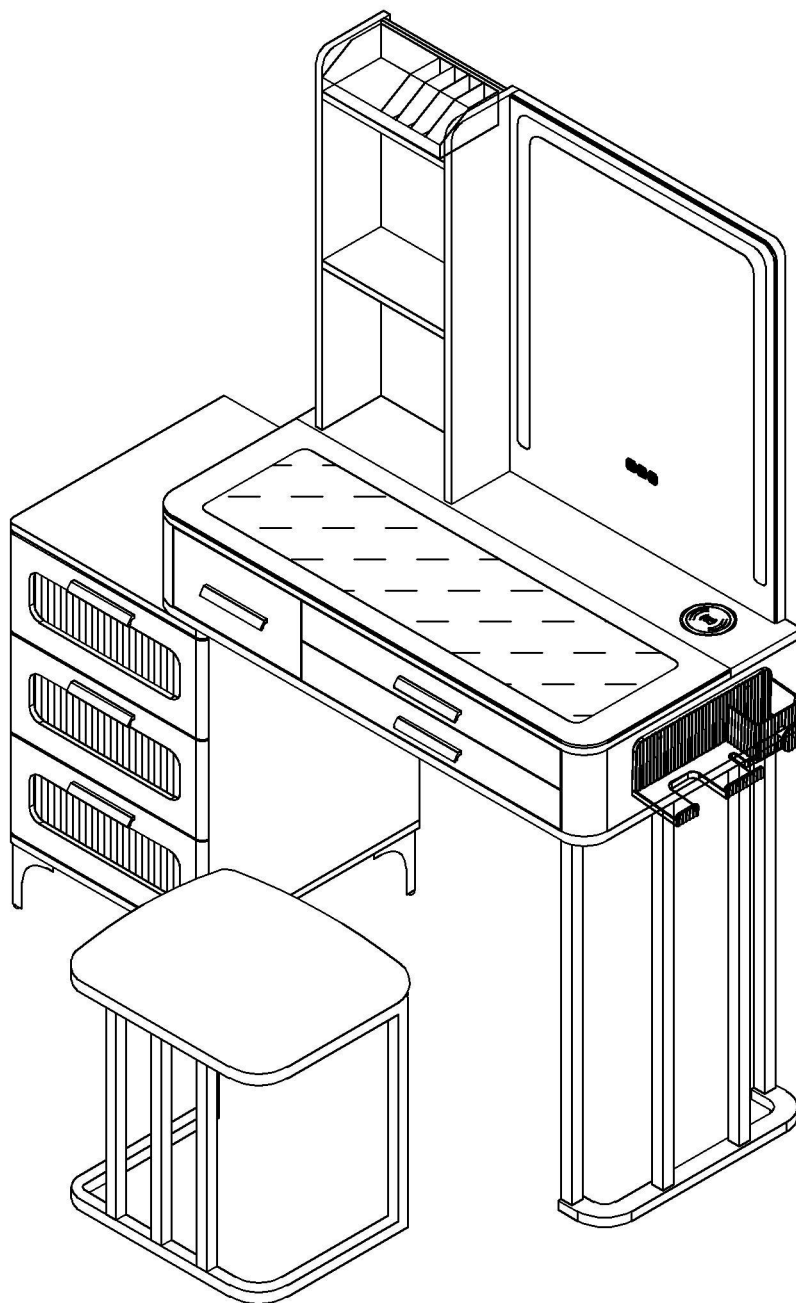
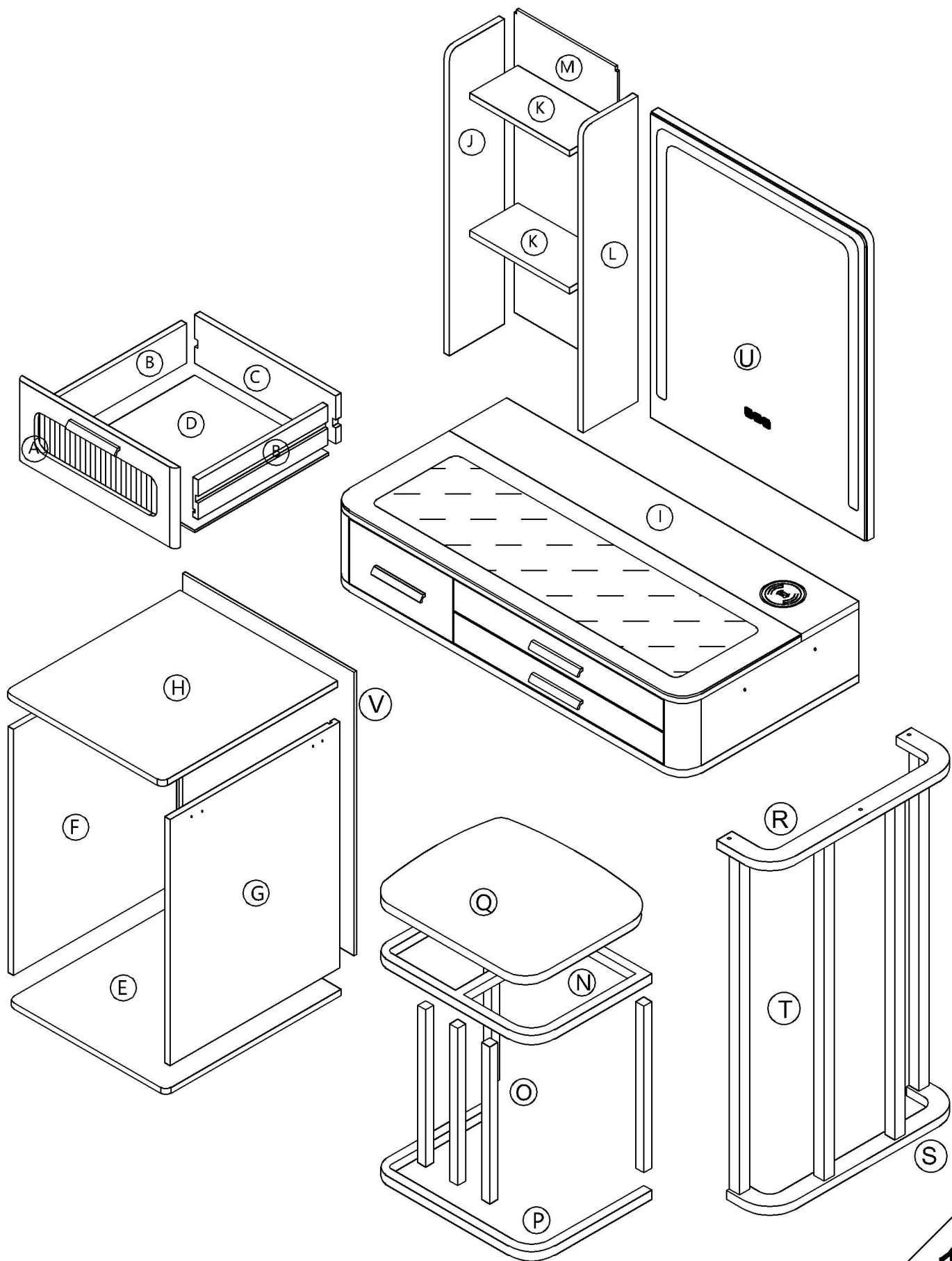


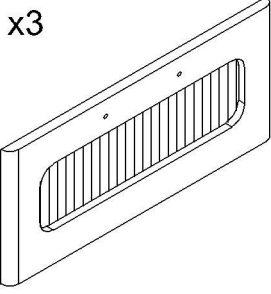
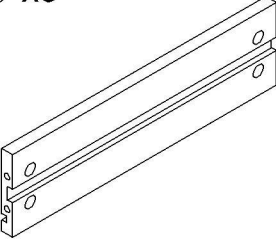
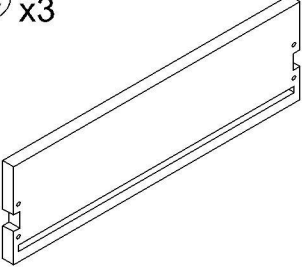
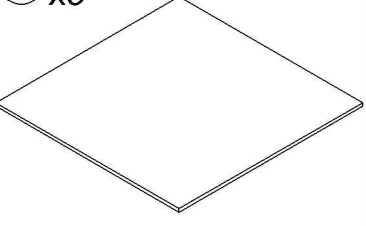
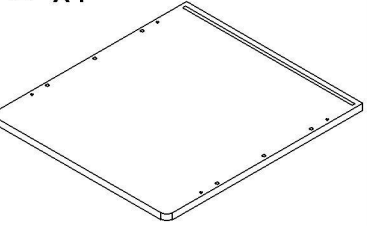
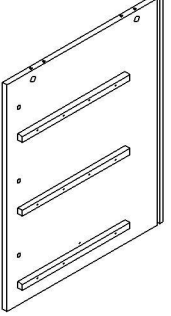
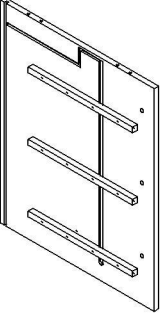
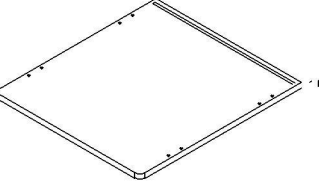
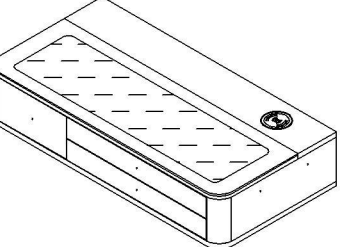

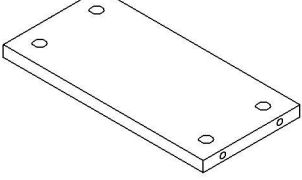


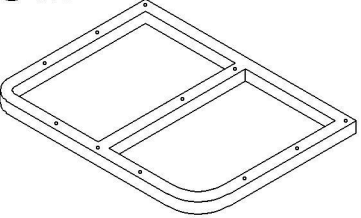

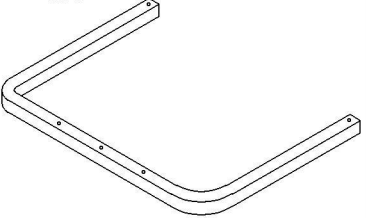
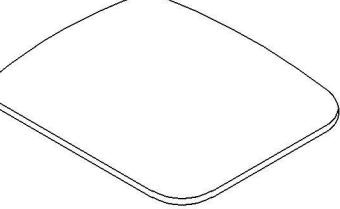
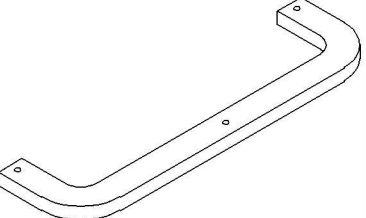
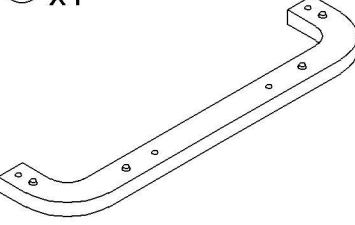

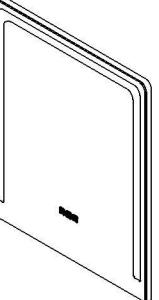
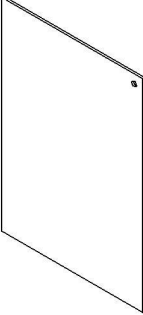

Vanity Table Manual LY85010











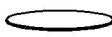





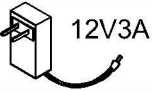




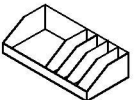



Vanity Table Manual LY85010



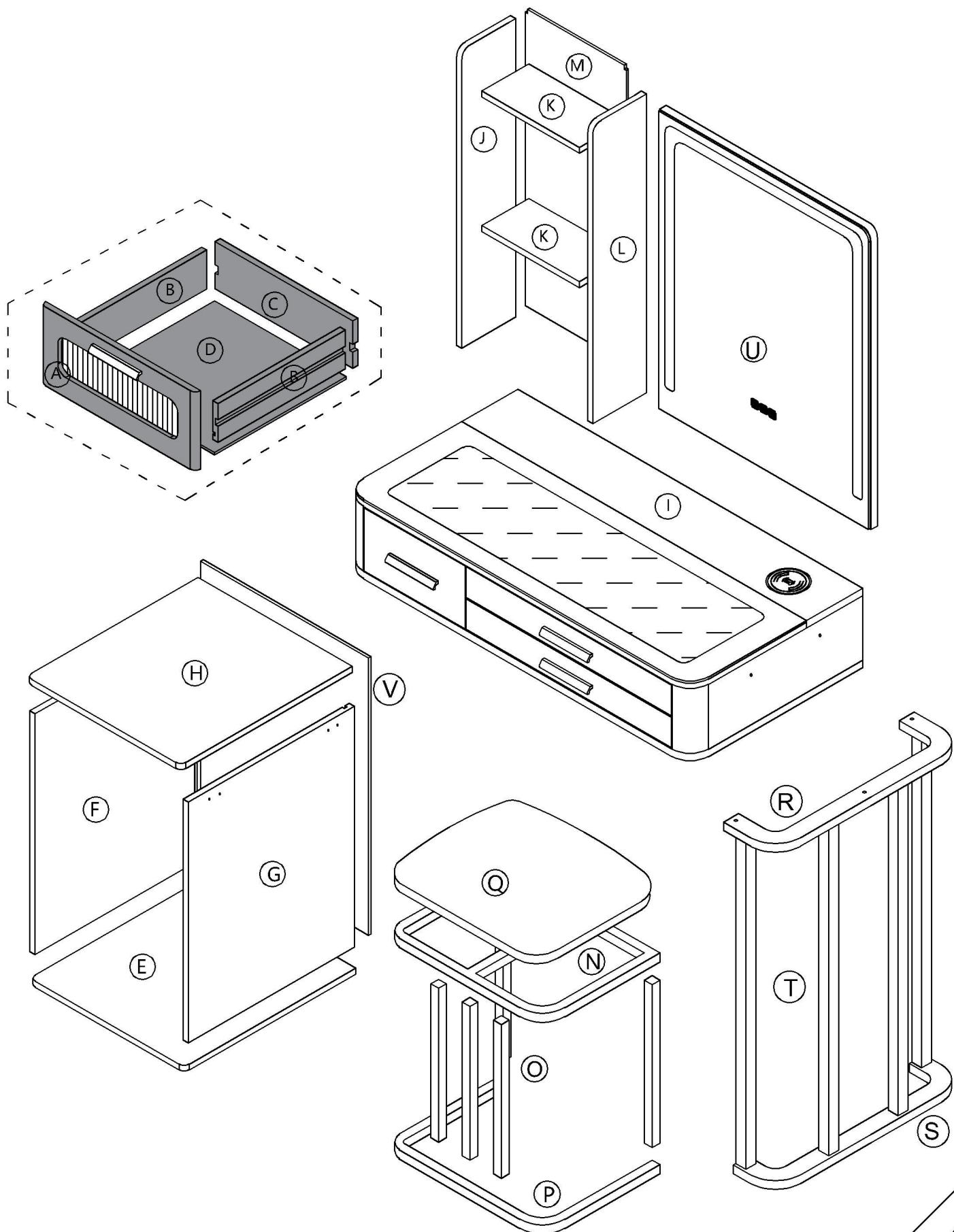
Hardware list

<p>(A) x3</p> 	<p>(B) x6</p> 	<p>(C) x3</p> 	<p>(D) x3</p> 
<p>(E) x1</p> 	<p>(F) x1</p> 	<p>(G) x1</p> 	<p>(H) x1</p> 
<p>(I) x1</p> 	<p>(J) x1</p> 	<p>(K) x2</p> 	<p>(L) x1</p> 
<p>(M) x1</p> 	<p>(N) x1</p> 	<p>(O) x5</p> 	<p>(P) x1</p> 
<p>(Q) x1</p> 	<p>(R) x1</p>  <p>Upper bracket without rubber pad</p>	<p>(S) x1</p>  <p>Lower bracket with rubber pad</p>	<p>(T) x4</p>  <p>570x20x20mm</p>
<p>(U) x1</p> 	<p>(V) x1</p> 		

Accessories list

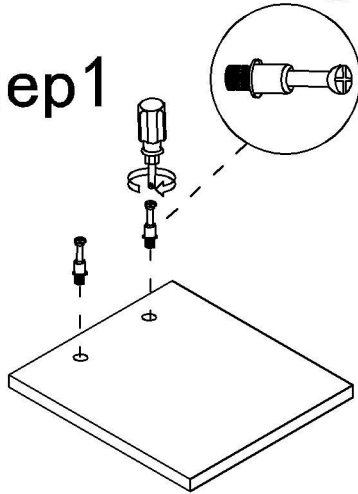
①		Two in one screw (6x28mm)	46 Pcs
②		Two in one nut (10x12mm)	46 Pcs
③		Drawer handle & Hexagonal machine wire (4x25mm)	3 Pcs
④		Wood chipping (6x30mm)	10 Pcs
⑤		Countersunk head tapping screw (3.5x12mm)	20 Pcs
⑥		Iron gasket & Self tapping screw(3x10)	2 Pcs
⑦		Hexagon socket screwdriver H4	1 Pcs
⑧		Hexagonal machine wire (6x30mm)	25 Pcs
⑨		Protective sticker	4 Pcs
⑩		Back plate buckle & Screw (3x16mm)	4 Pcs
⑪		Corner code(30x30x1.5)(3.5x12)	2 Pcs
⑫		Countersunk head tapping screw (4x45mm)	1 Pcs
⑬		anti-tipping tape	1 Pcs
⑭		Countersunk head tapping screw (4x16mm) & gasket	1 Pcs
⑮		The power adapter	1 Pcs
⑯		Cross screwdriver	1 Pcs
⑰		Cross machine wire (8x20mm)	6 Pcs
⑱		Hardware electroplating cabinet feet	4 Pcs
⑲		Acrylic hair dryer holder & Hexagonal machine wire (4x16mm)	1 Pcs
⑳		Brown acrylic lipstick grid	1 Pcs
㉑		power cord extension cord	1 Pcs
㉒		Drawer handle & Hexagonal machine wire (4x16mm)	3 Pcs
㉓		Remote control	1 Pcs

Vanity Table Manual LY85010

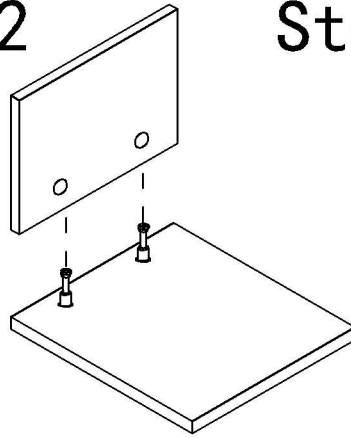


Use parts ① and ②

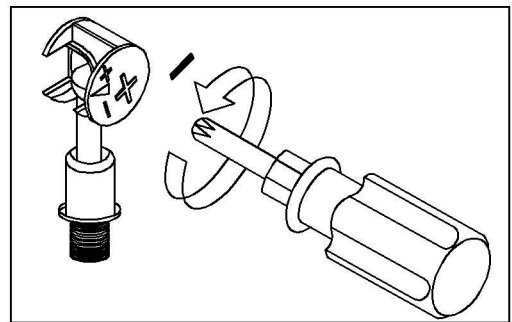
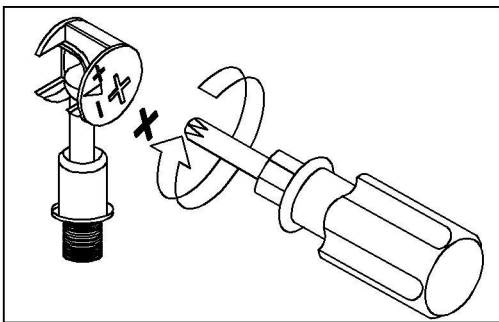
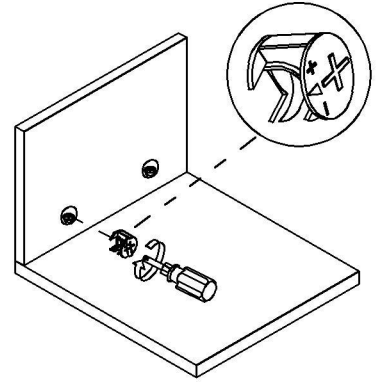
Step1



Step2



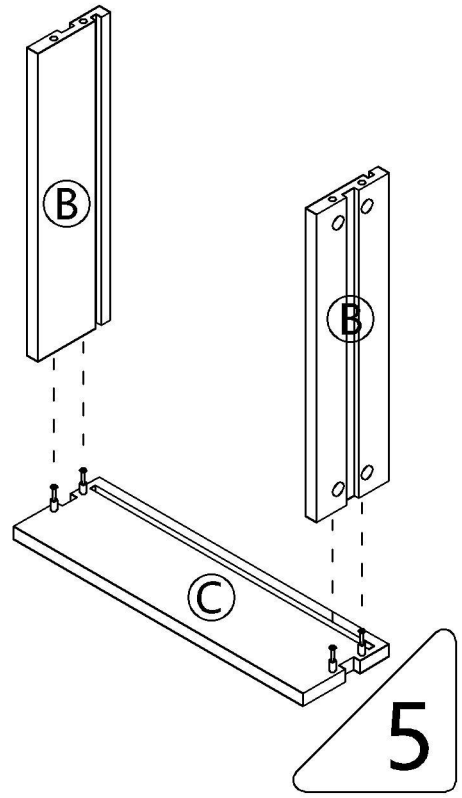
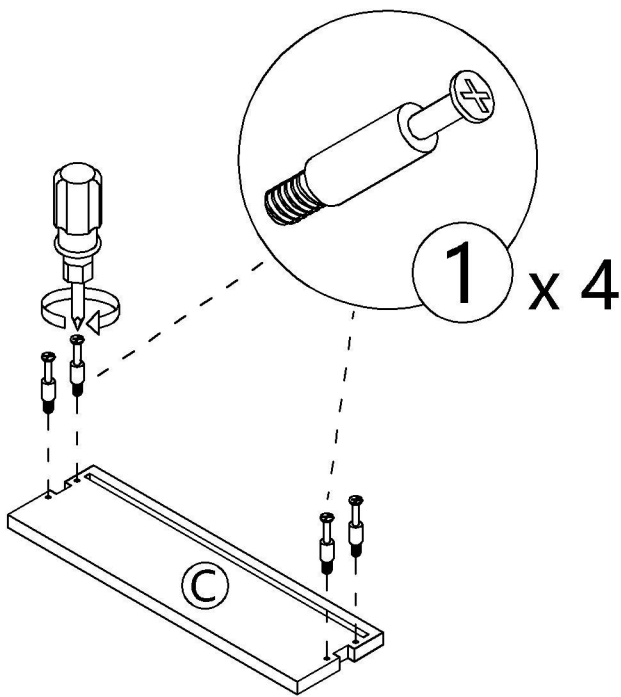
Step3



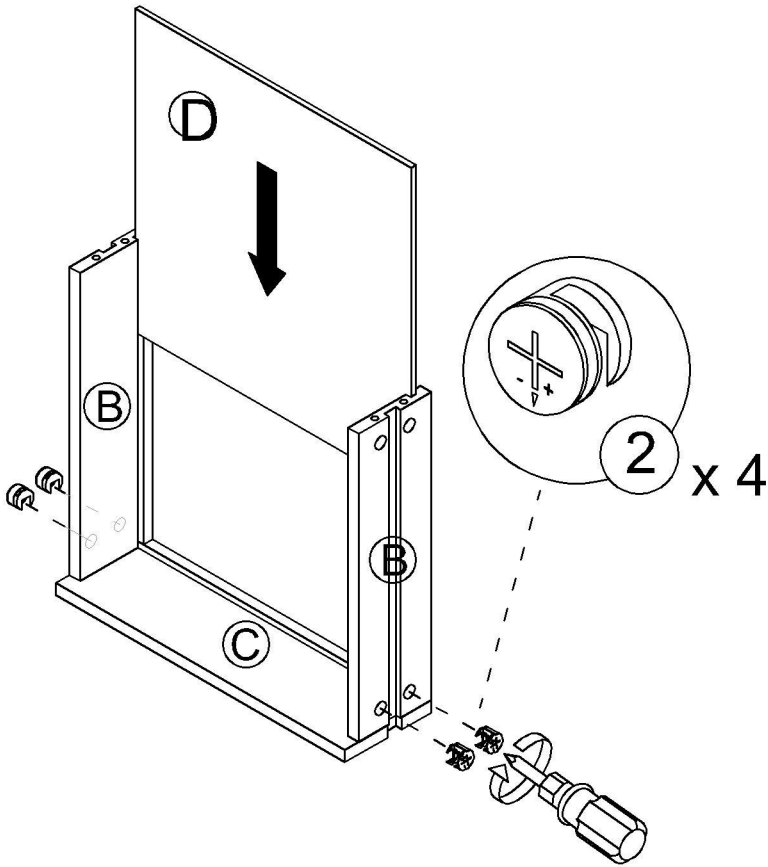
Use a screwdriver to lock in the direction of the "+" sign Disassemble along the direction of "-" sign

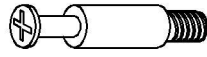

Step 1

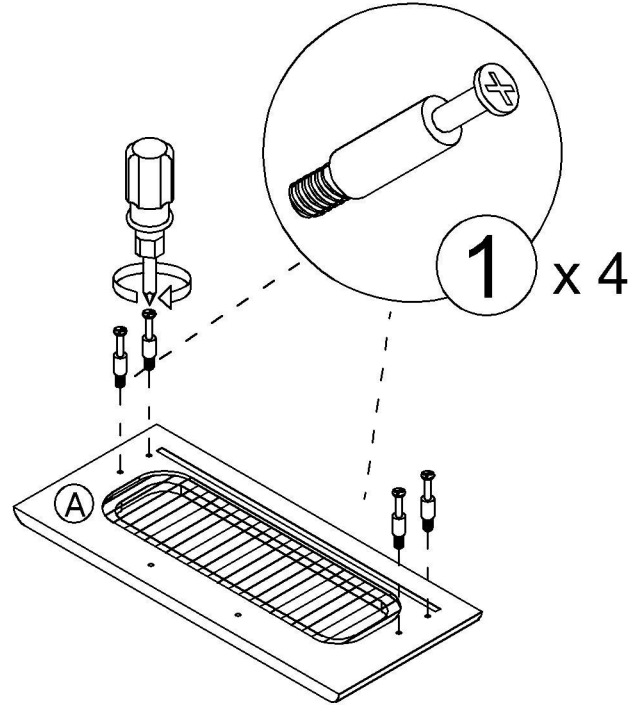
① x 4



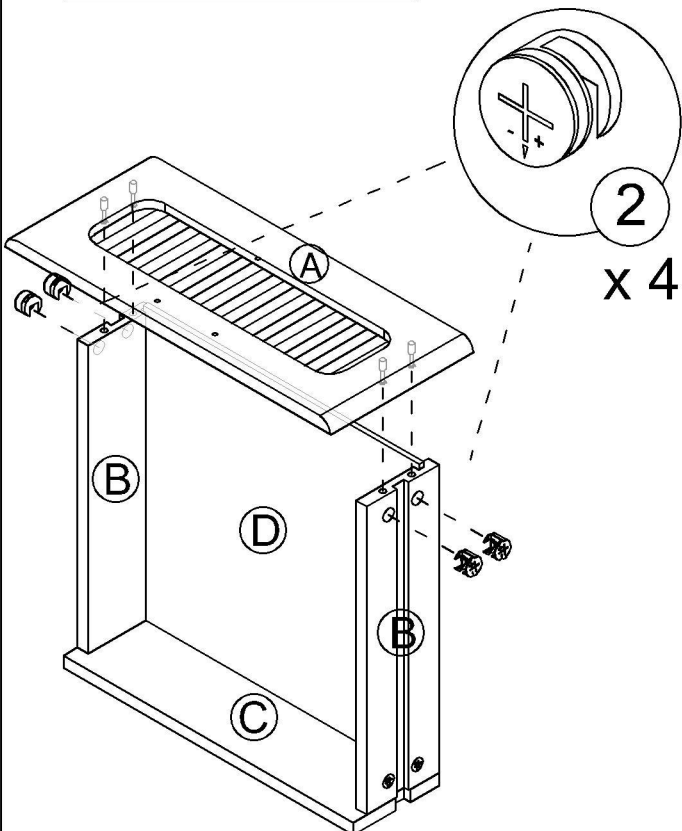
Step 2


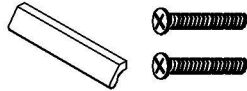


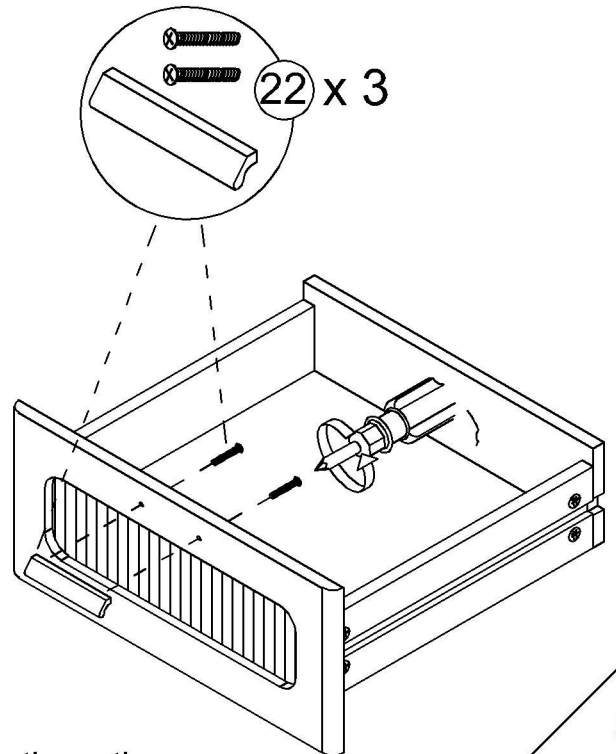
1		x 4
2		x 4



Step 3

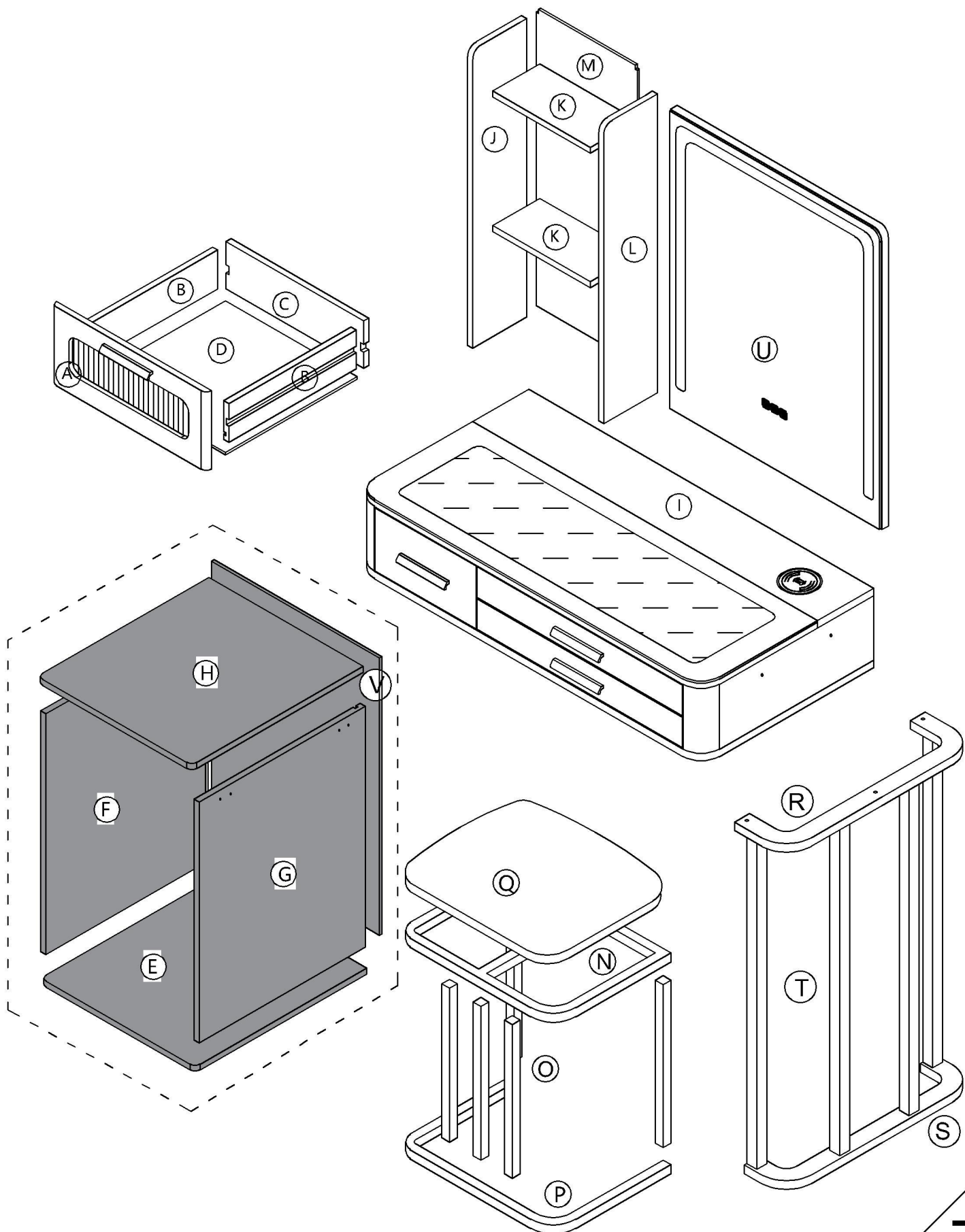


2		x 4
22		x 3

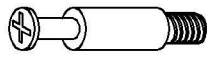
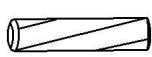


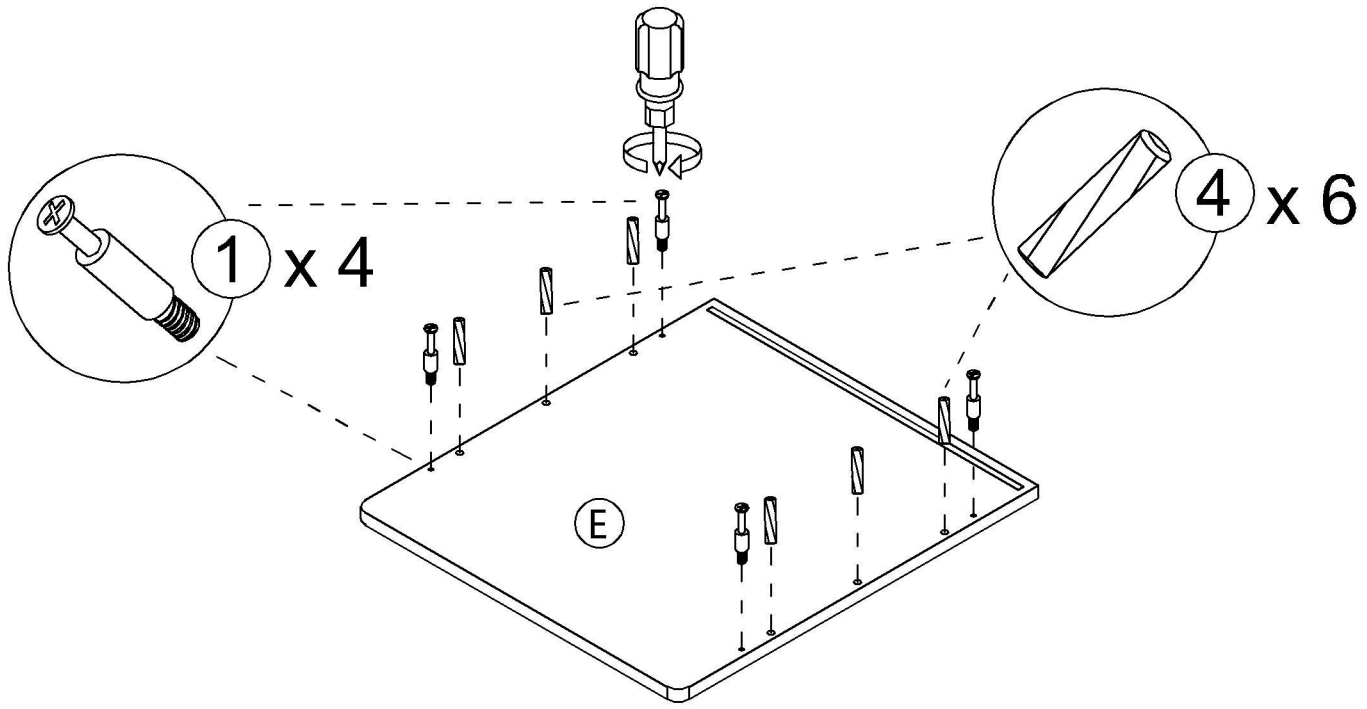
Repeat the first, second, and third steps three times.

Vanity Table Manual LY85010



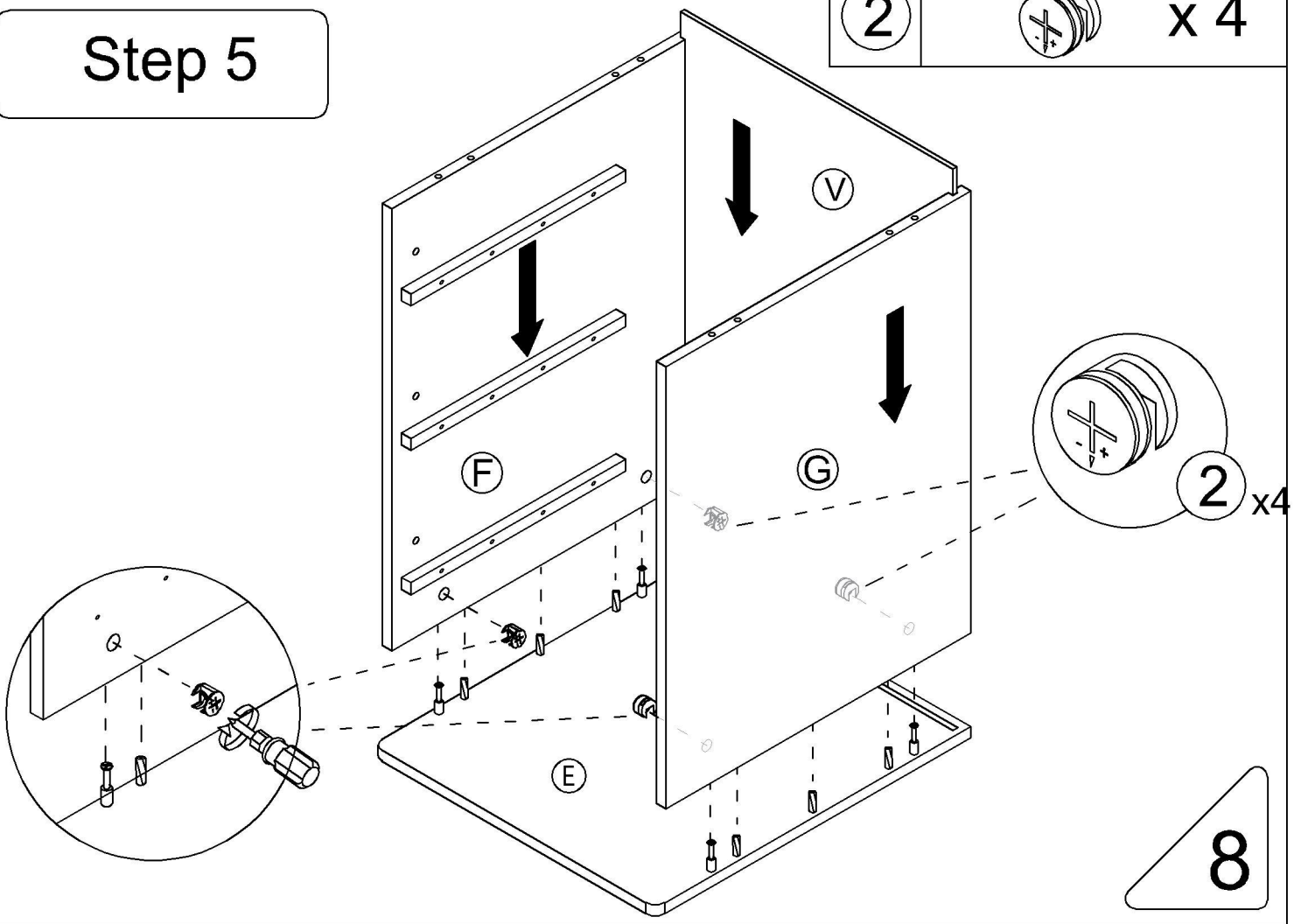
Step 4

1		x 4
4		x 6



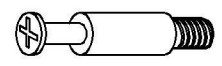
Step 5

2		x 4
---	---	-----

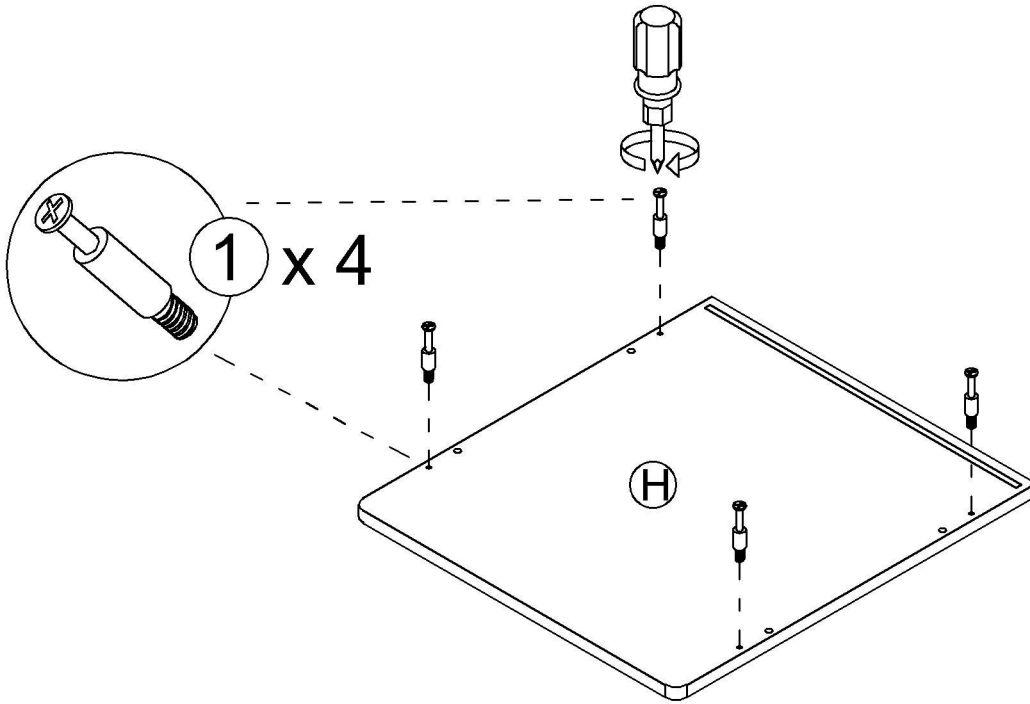


Step 6

1



x 4

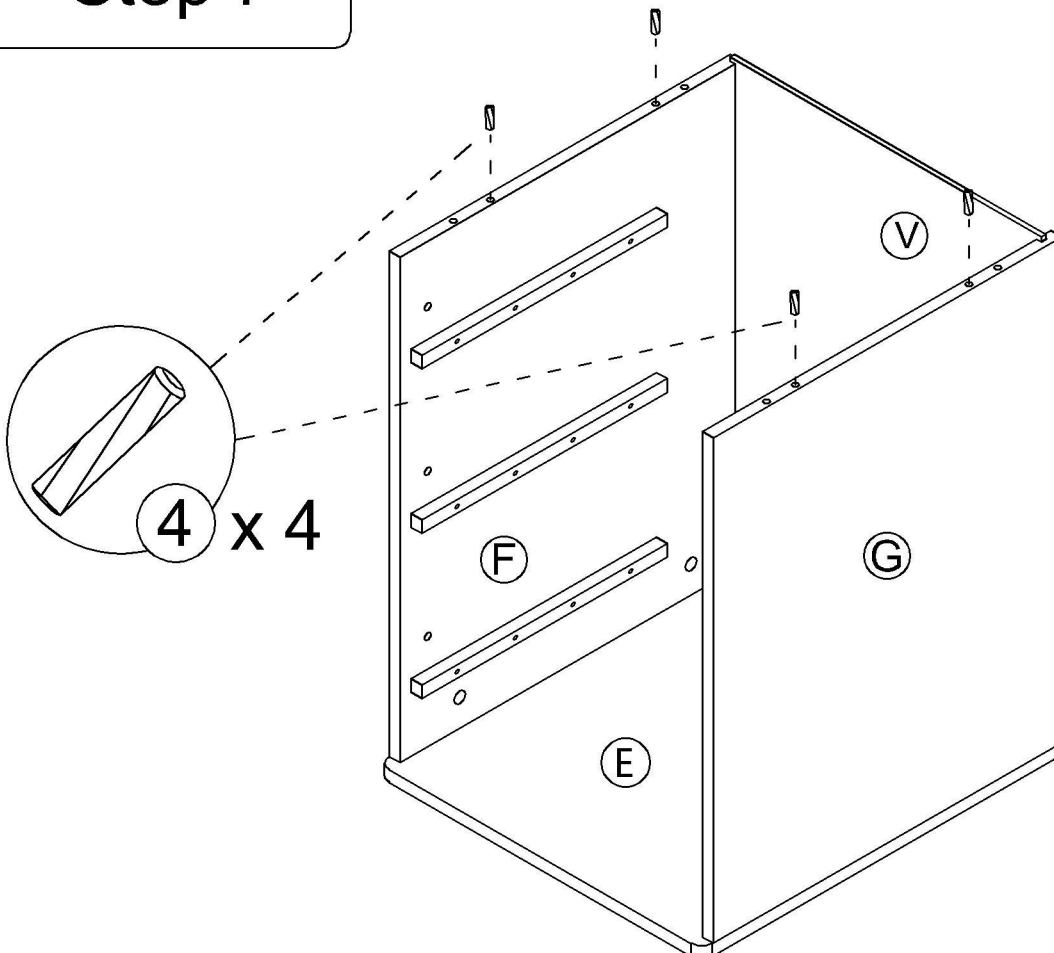


Step 7

4



x 4

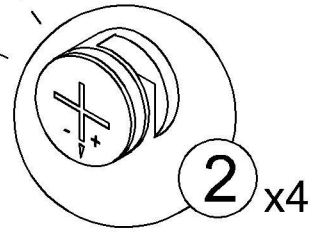
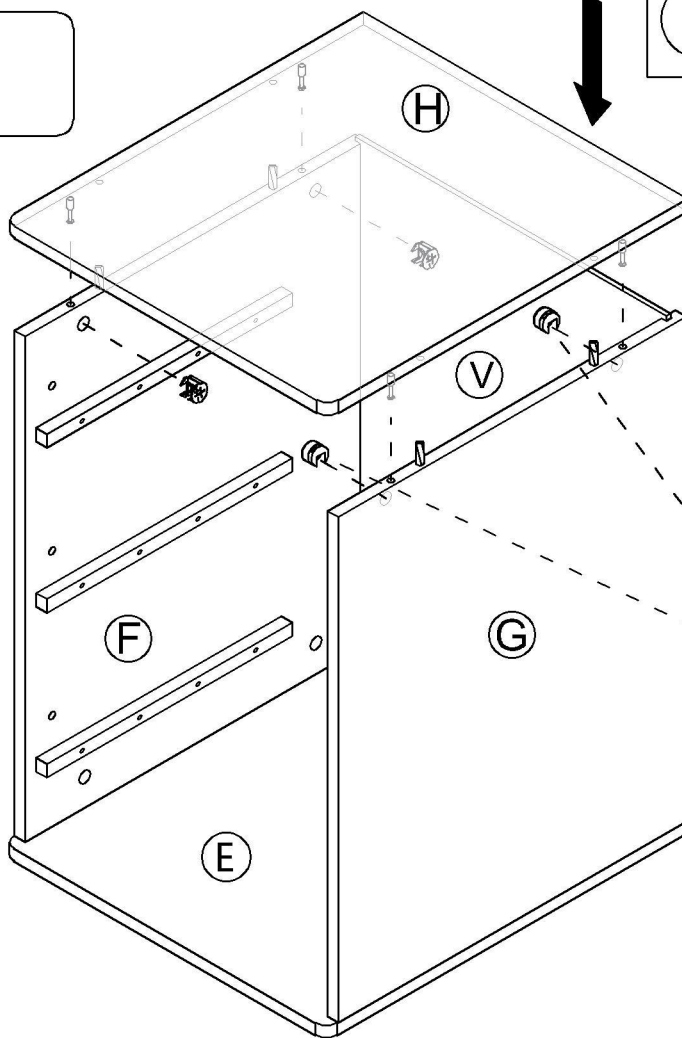


Step 8

2



x 4

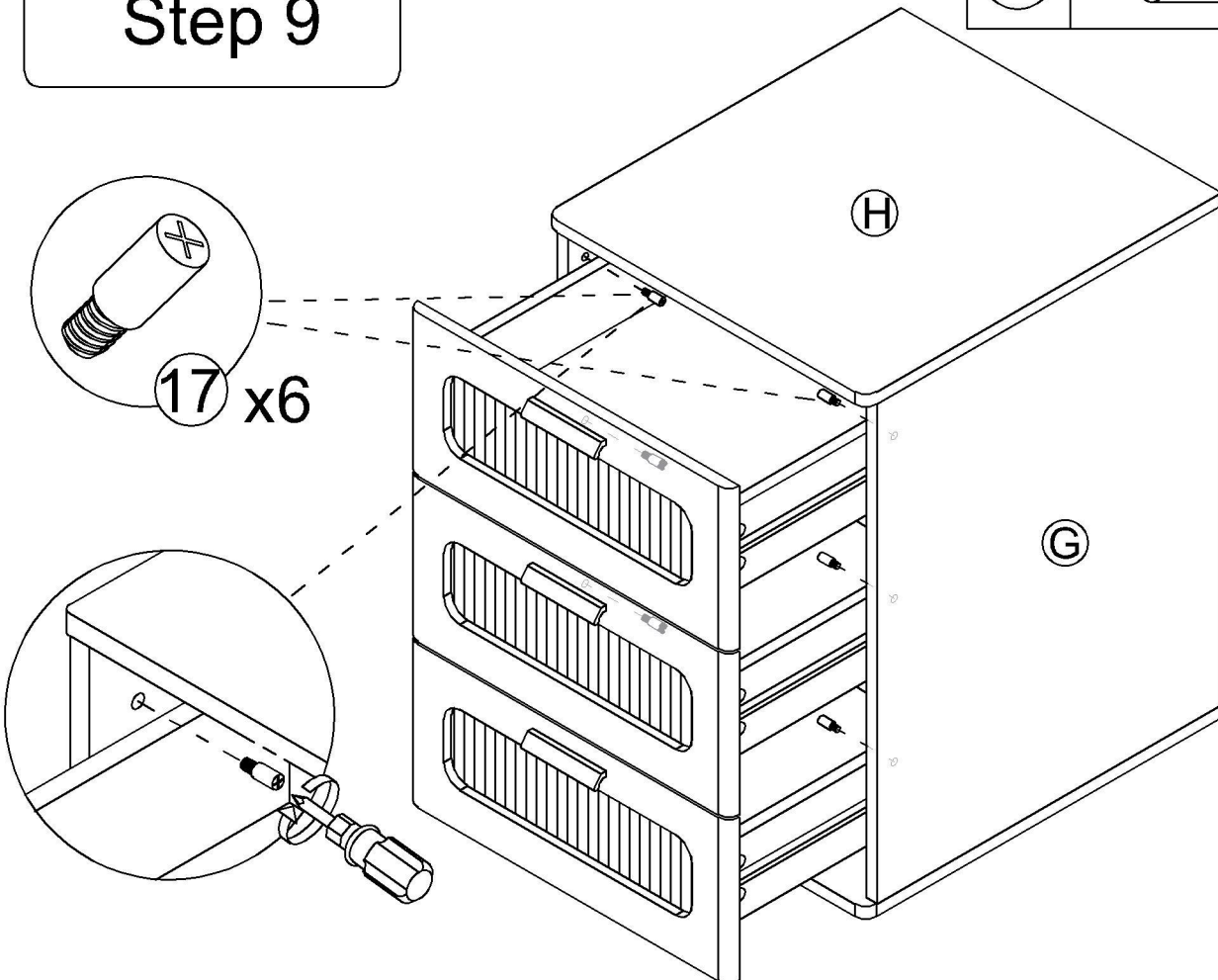


Step 9

17



x 6



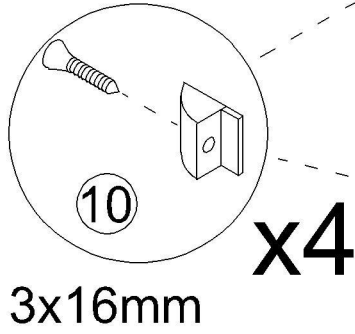
17 x6

Step 10

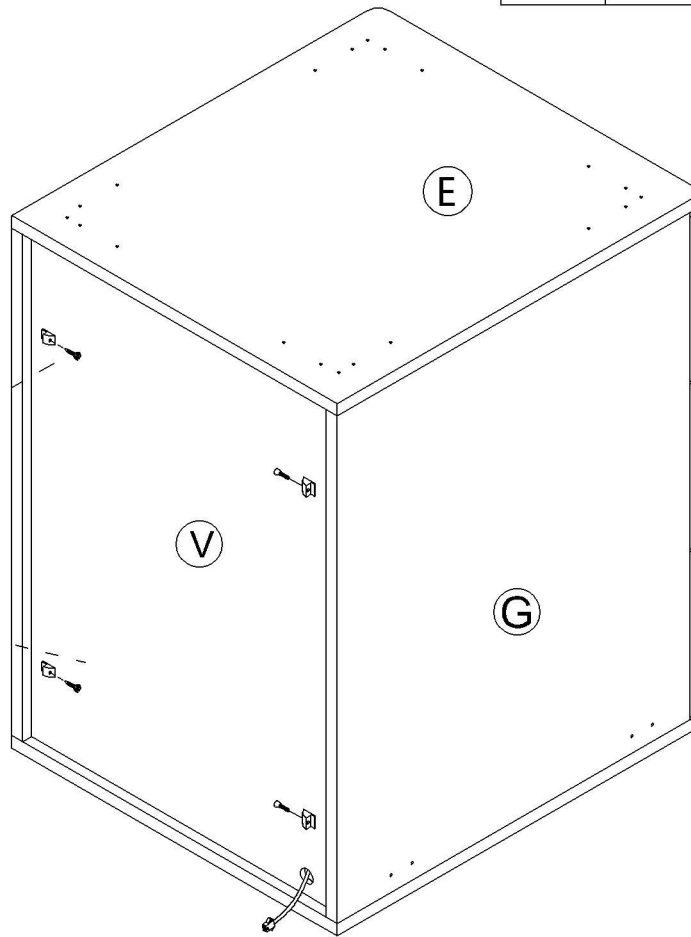
10



x 4



x4



Step 11

18

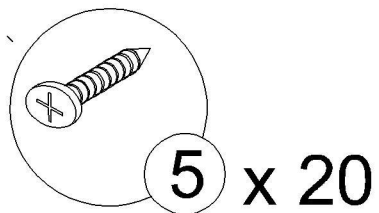
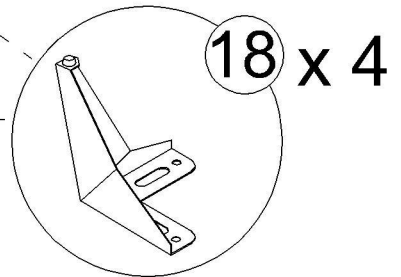
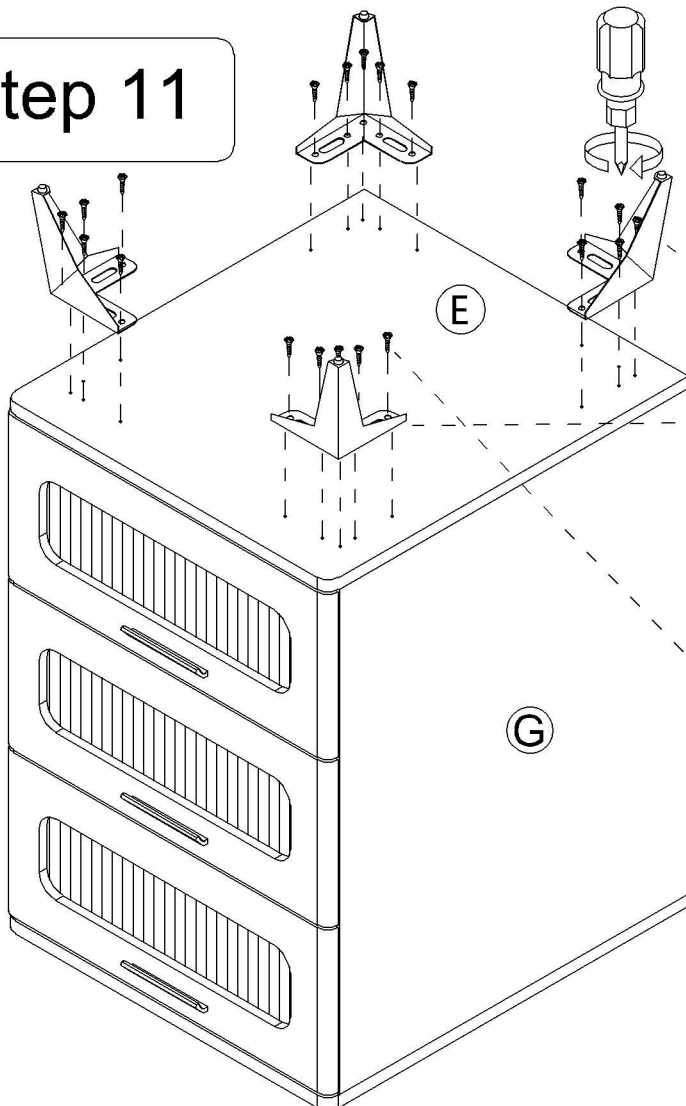


x 4

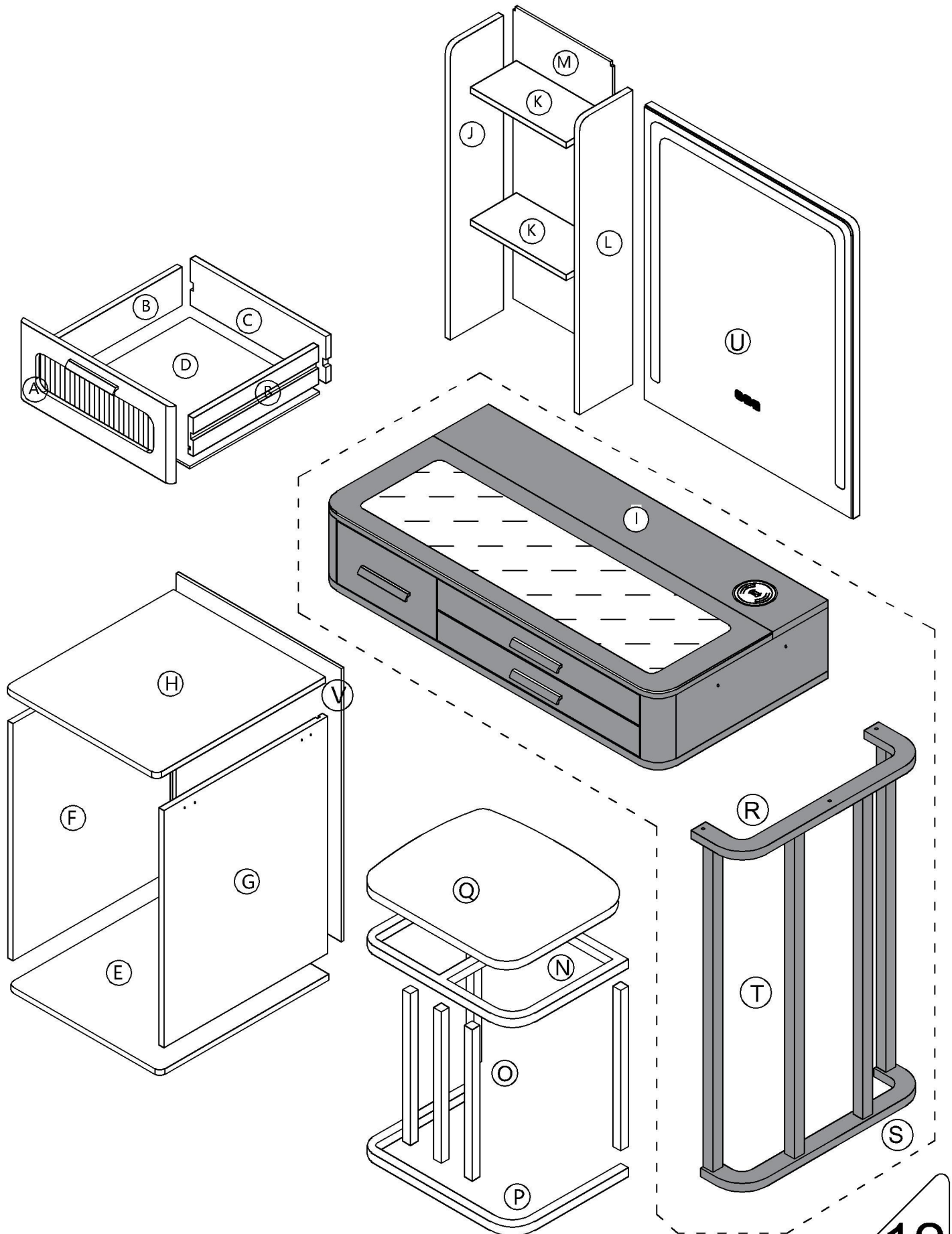
5





x 20



Vanity Table Manual LY85010

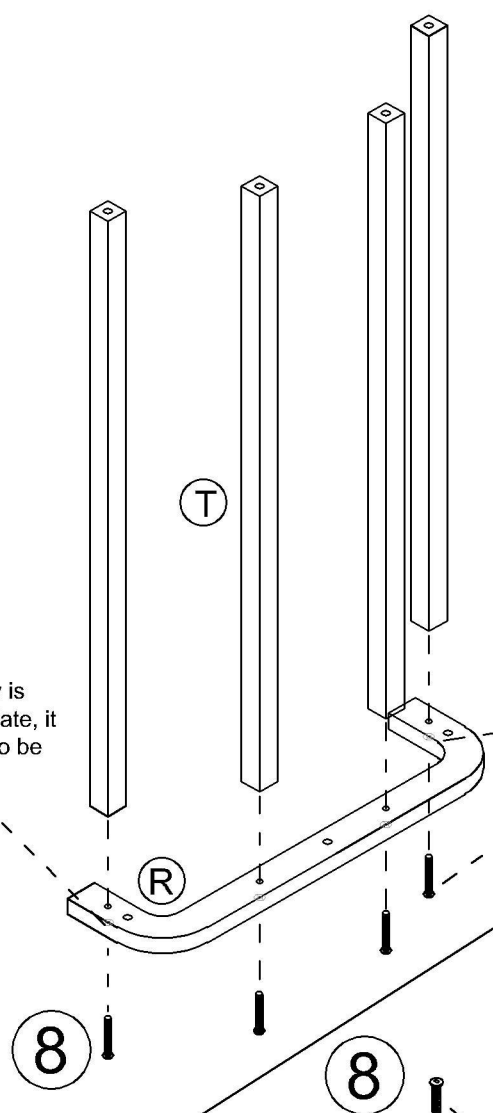



Step 12

8		x 4
7		x 1

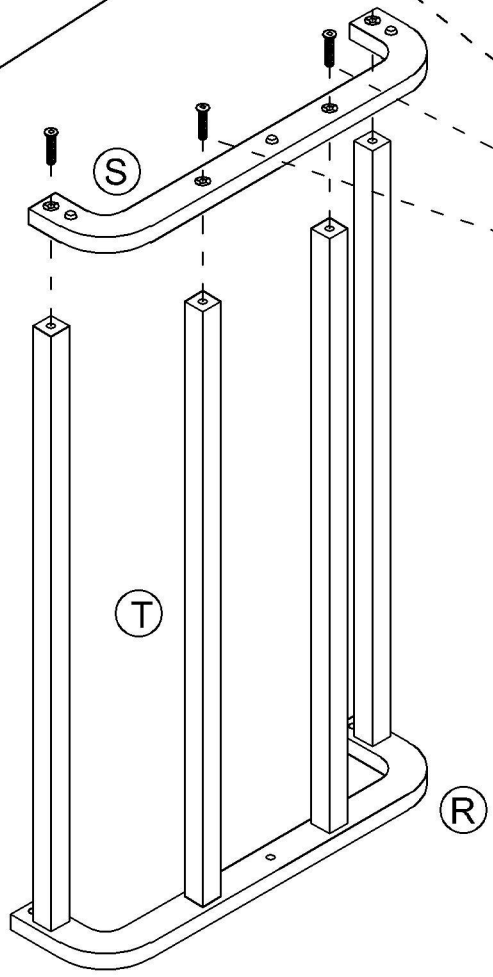
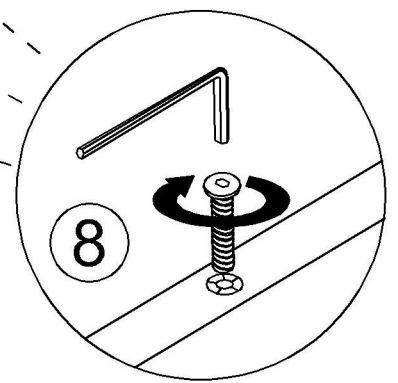
The hole design is misaligned, after the screw is installed, if the screw is higher than the iron plate, it is wrong, and the R wrought iron strip needs to be reversed and reinstalled

Install screws on the counterbore side



8		x 4
---	--	-----

Step 13



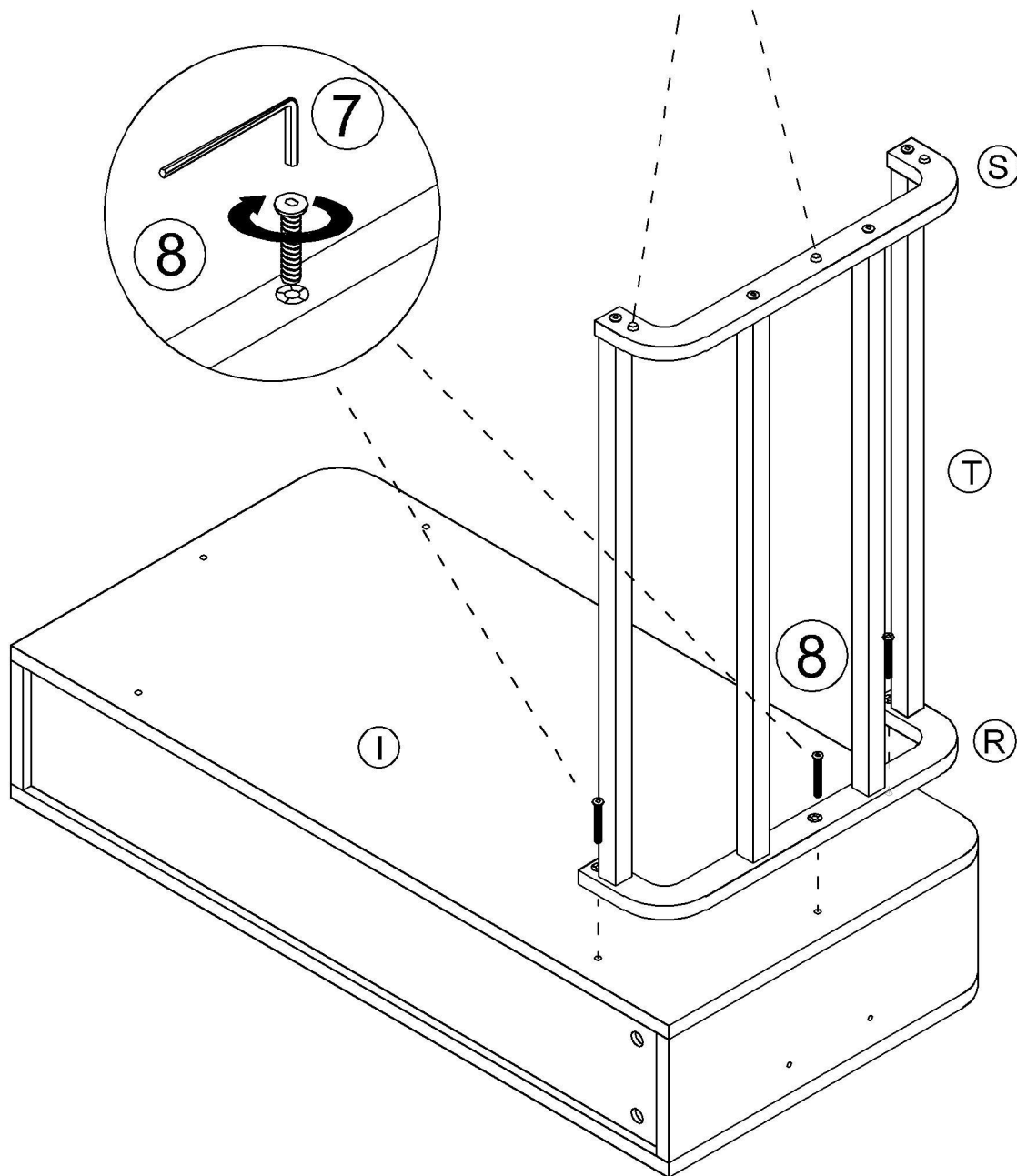
Step 14

8



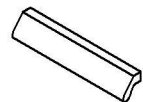
x 3

Note that the foot pad at the bottom of the iron frame S can be rotated and adjusted according to the actual situation.

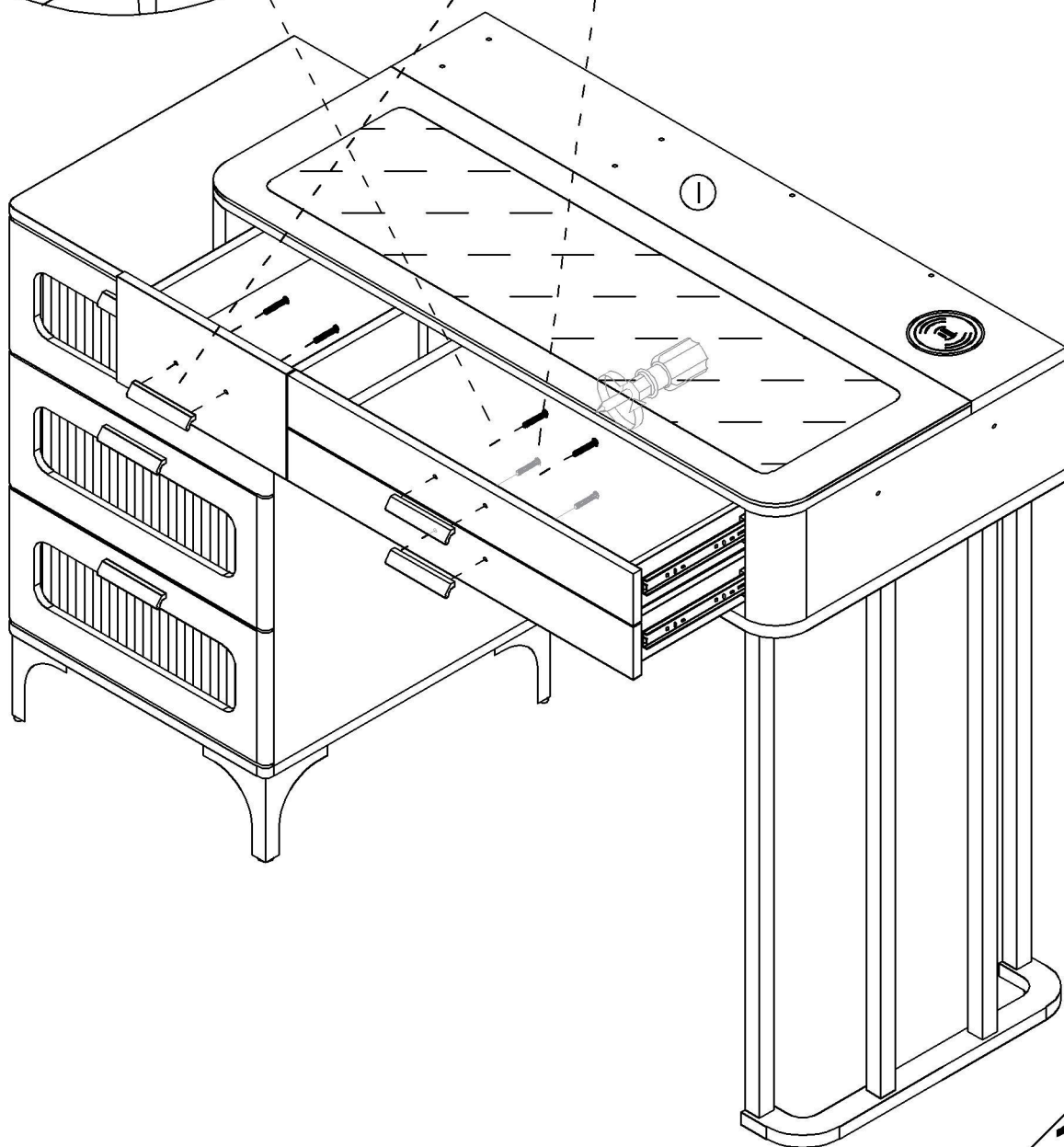
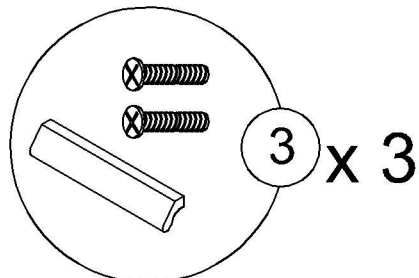
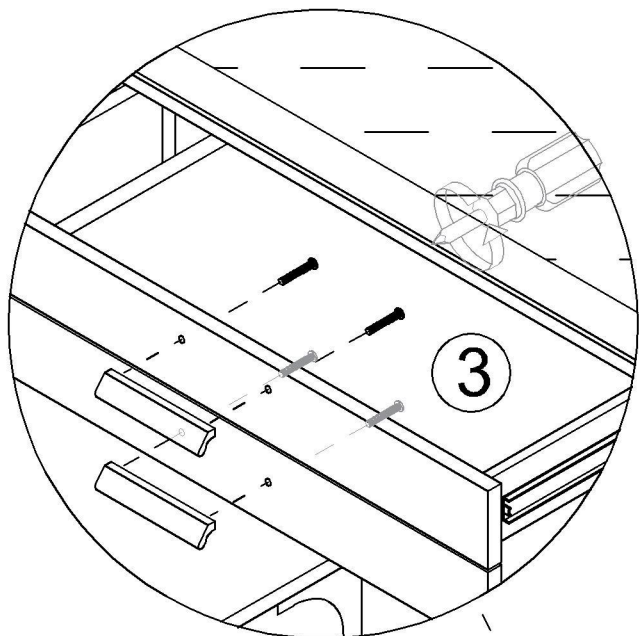


Step 15

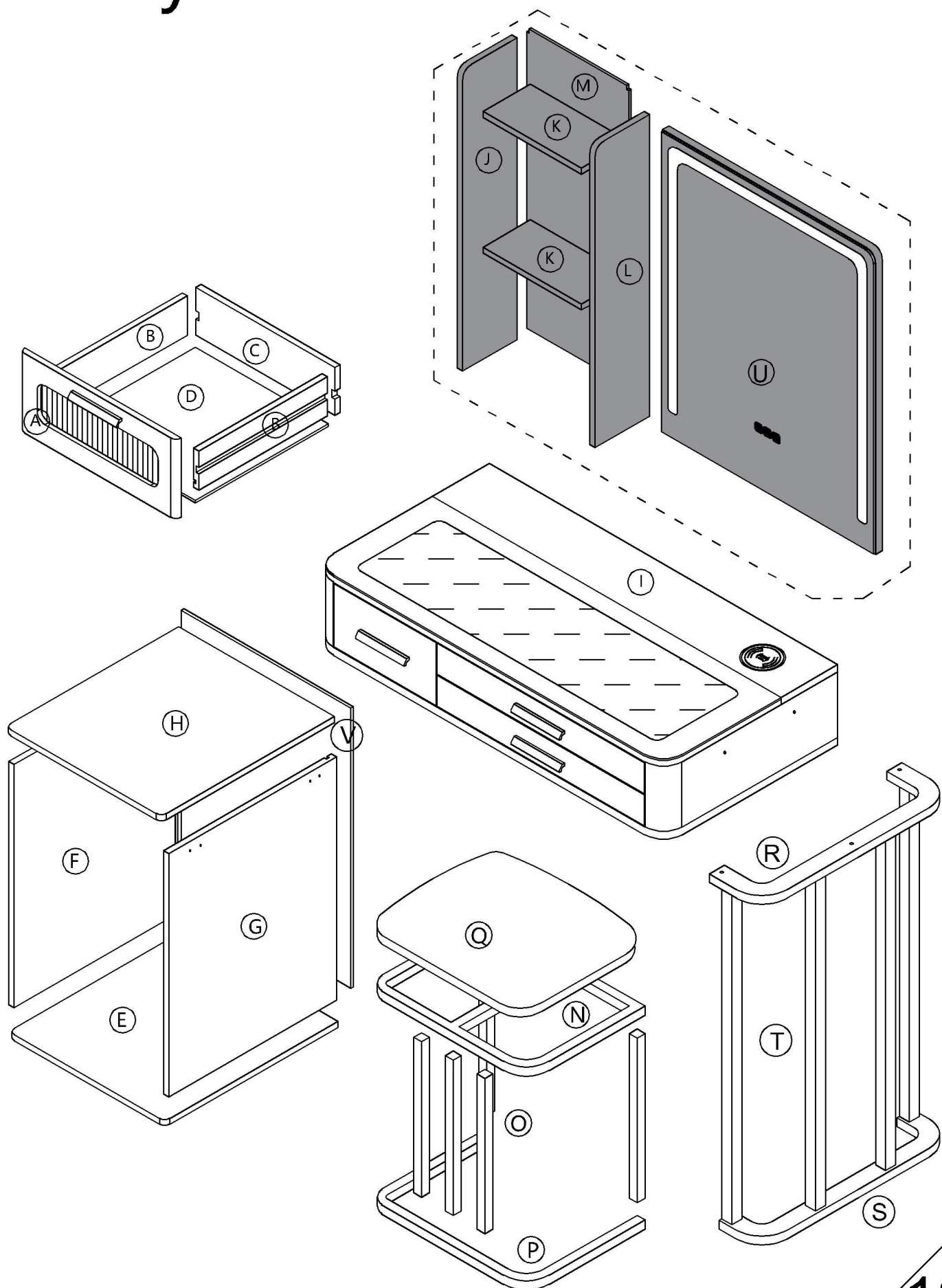
3



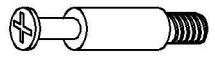
x 3

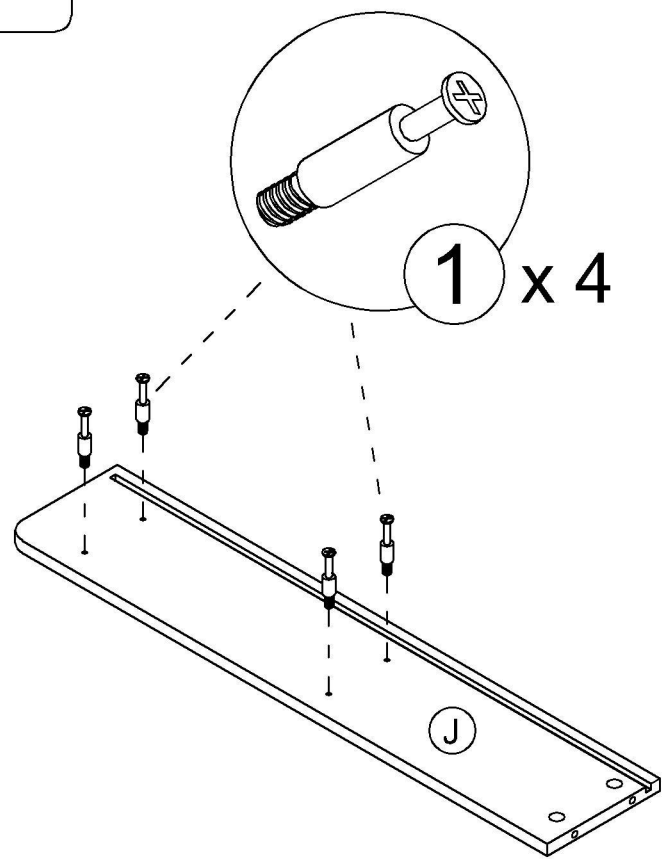


Vanity Table Manual LY85010



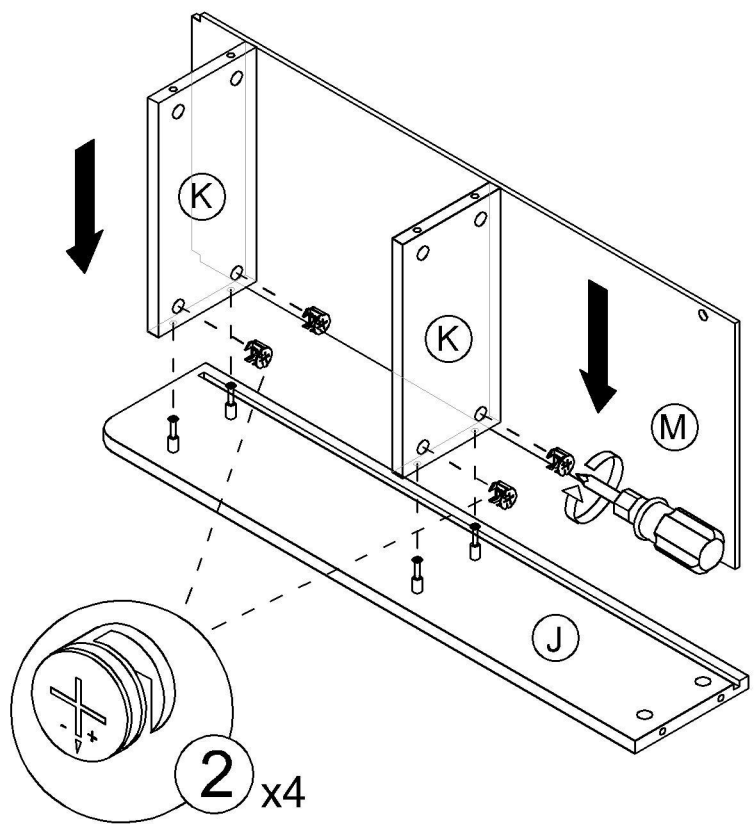
Step 16

1  x 4

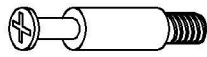



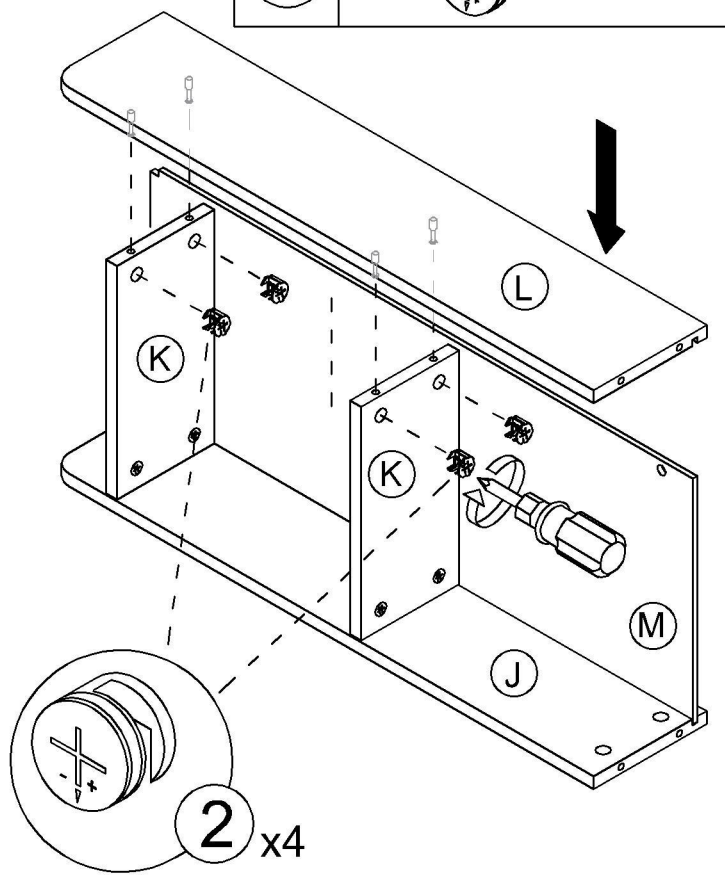
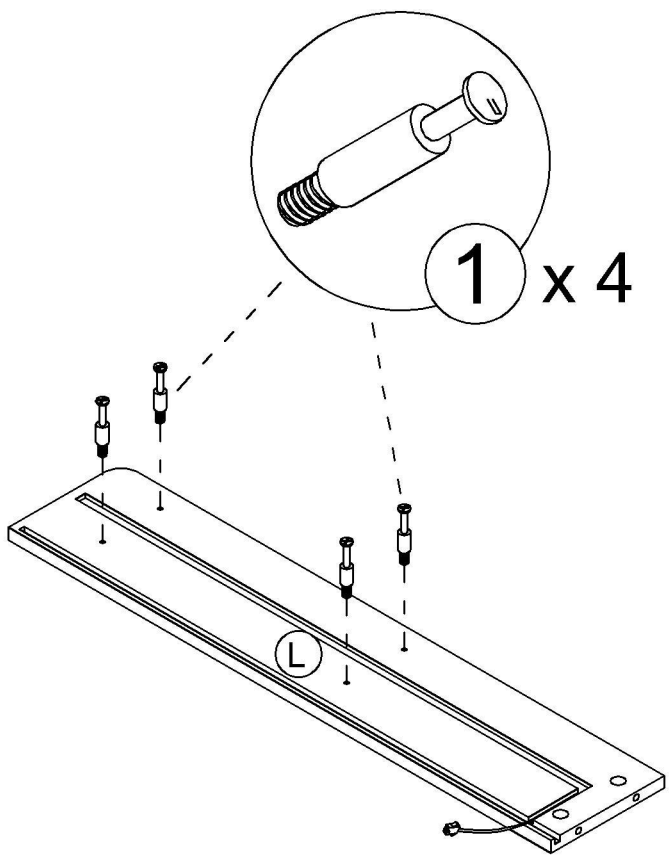
Step 17

2  x 4

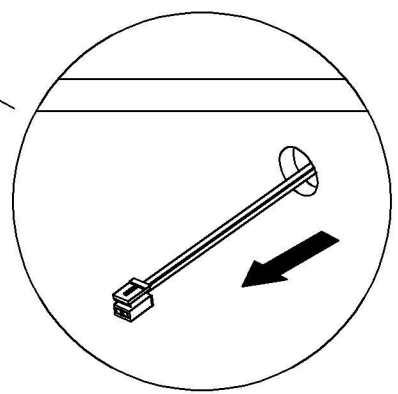
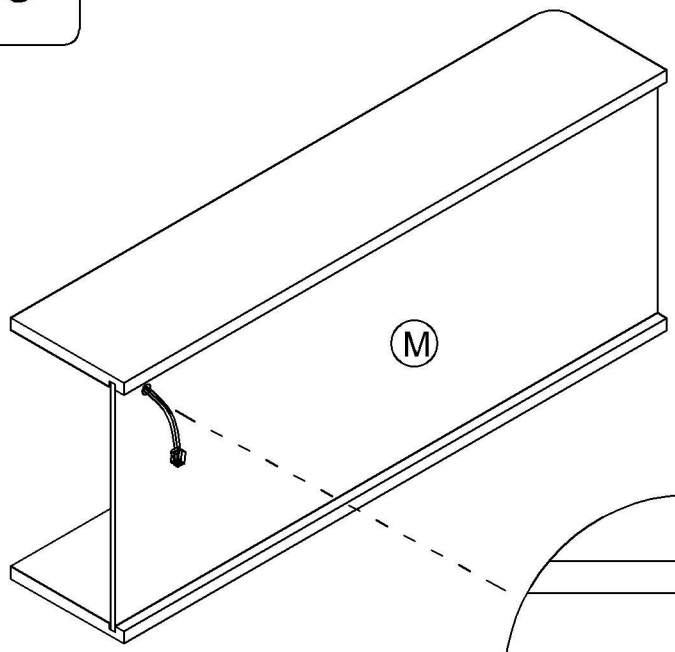


Step 18

1		x 4
2		x 4



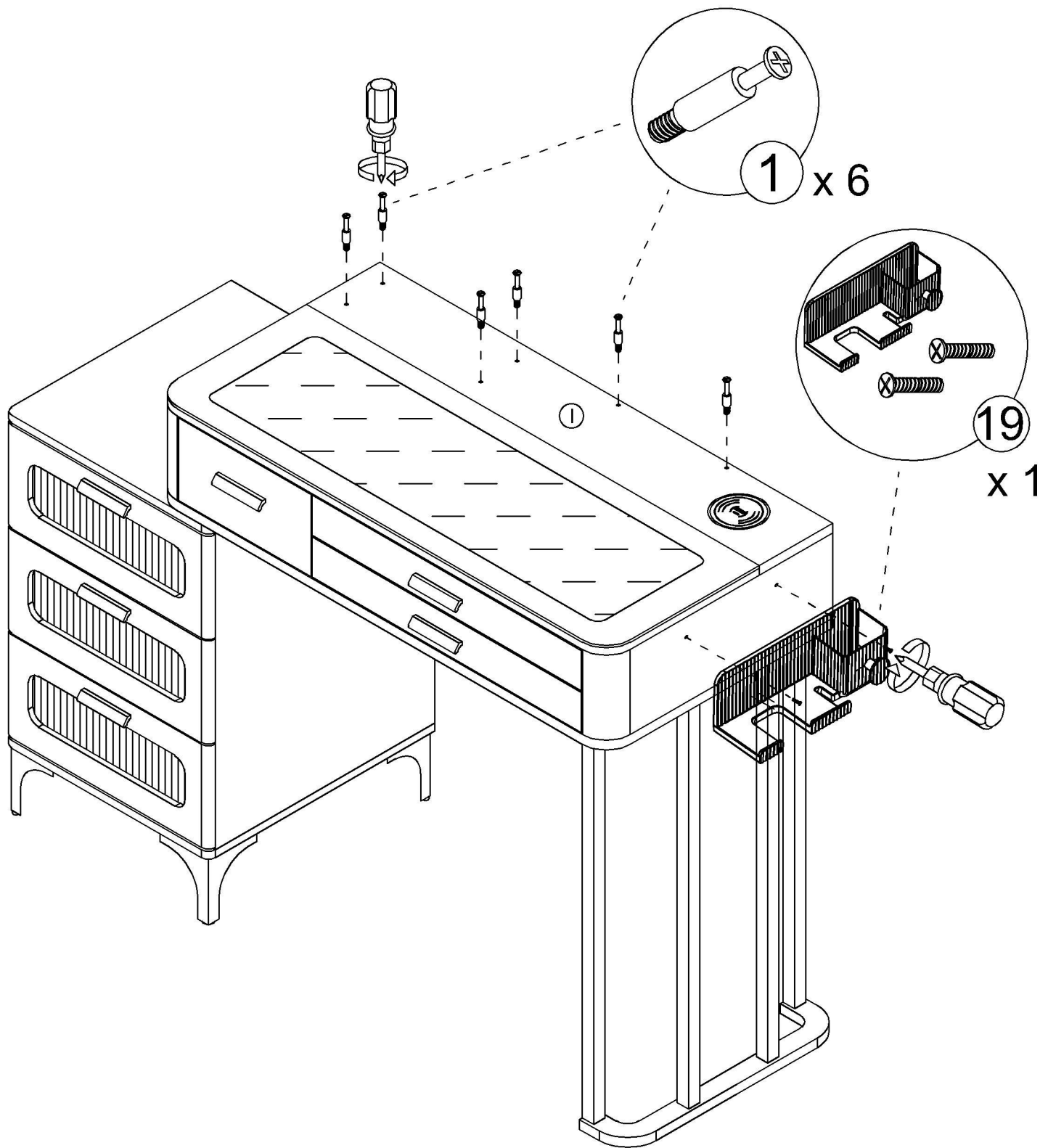
Step 19





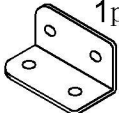

Step 20

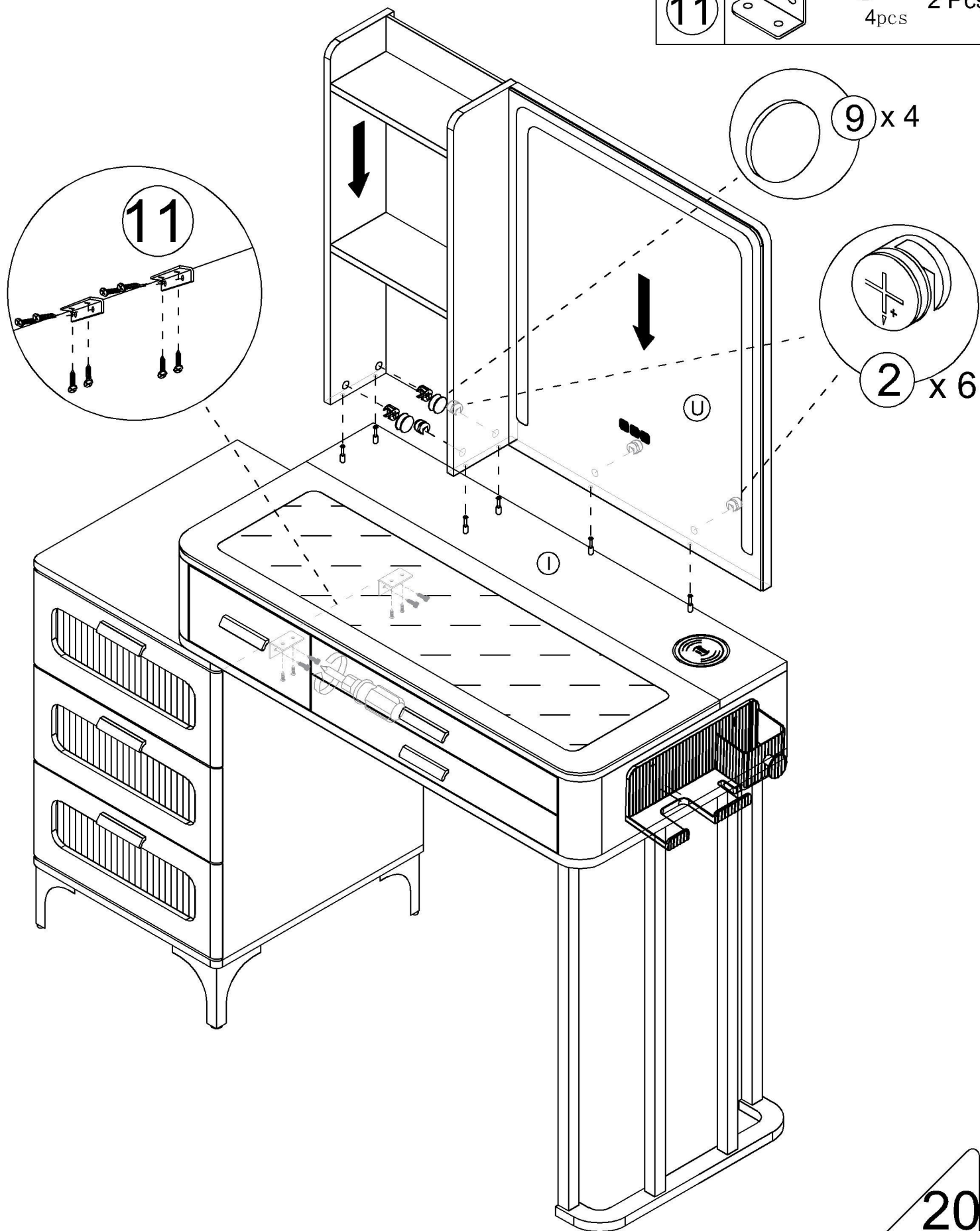
1 x6

19 x1
1 Pcs 2 Pcs

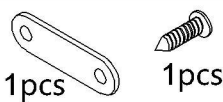





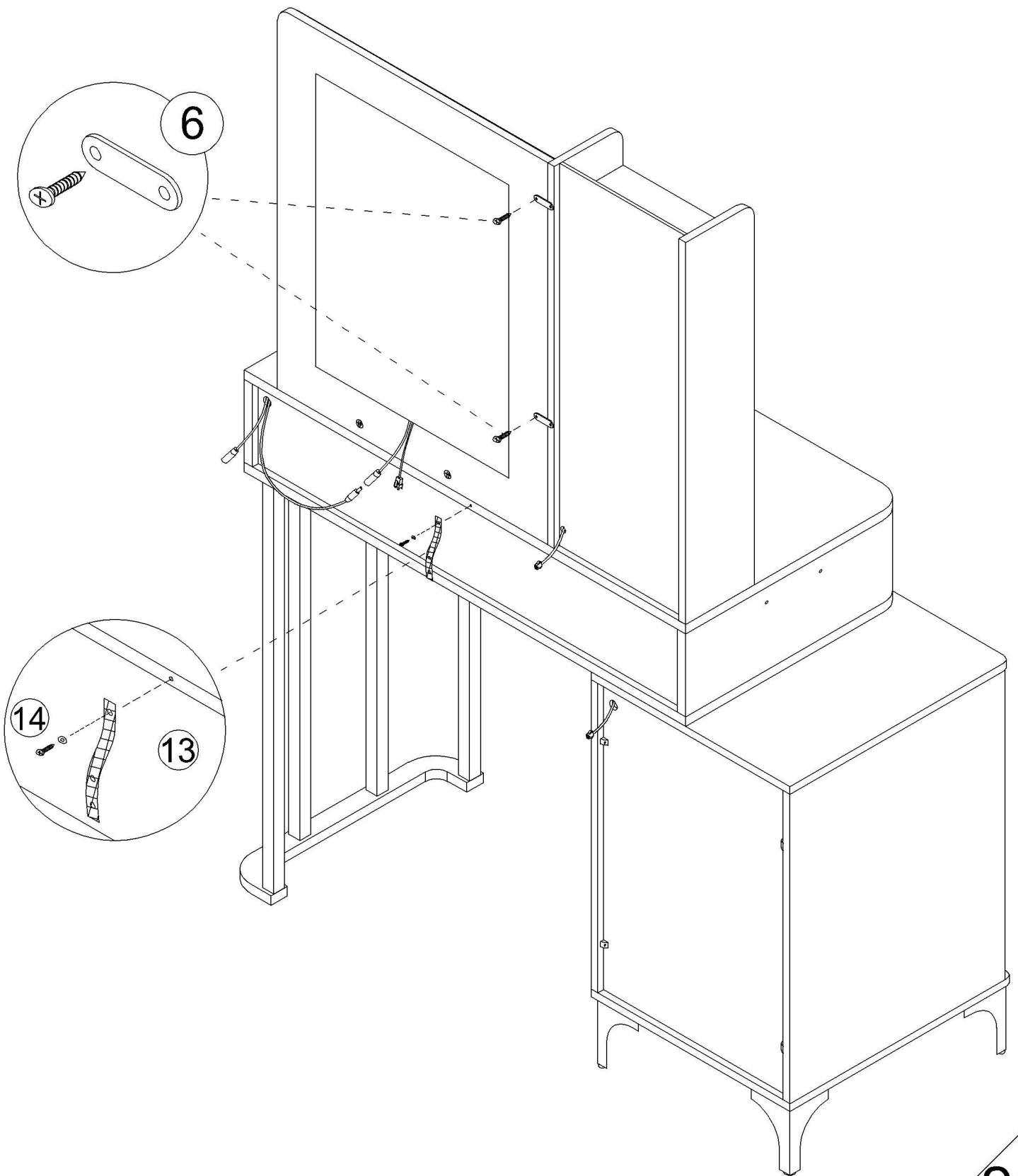
Step 21

2		x 6
9		x 4
11	 1pcs  2 Pcs 4pcs	




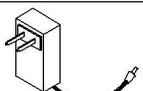


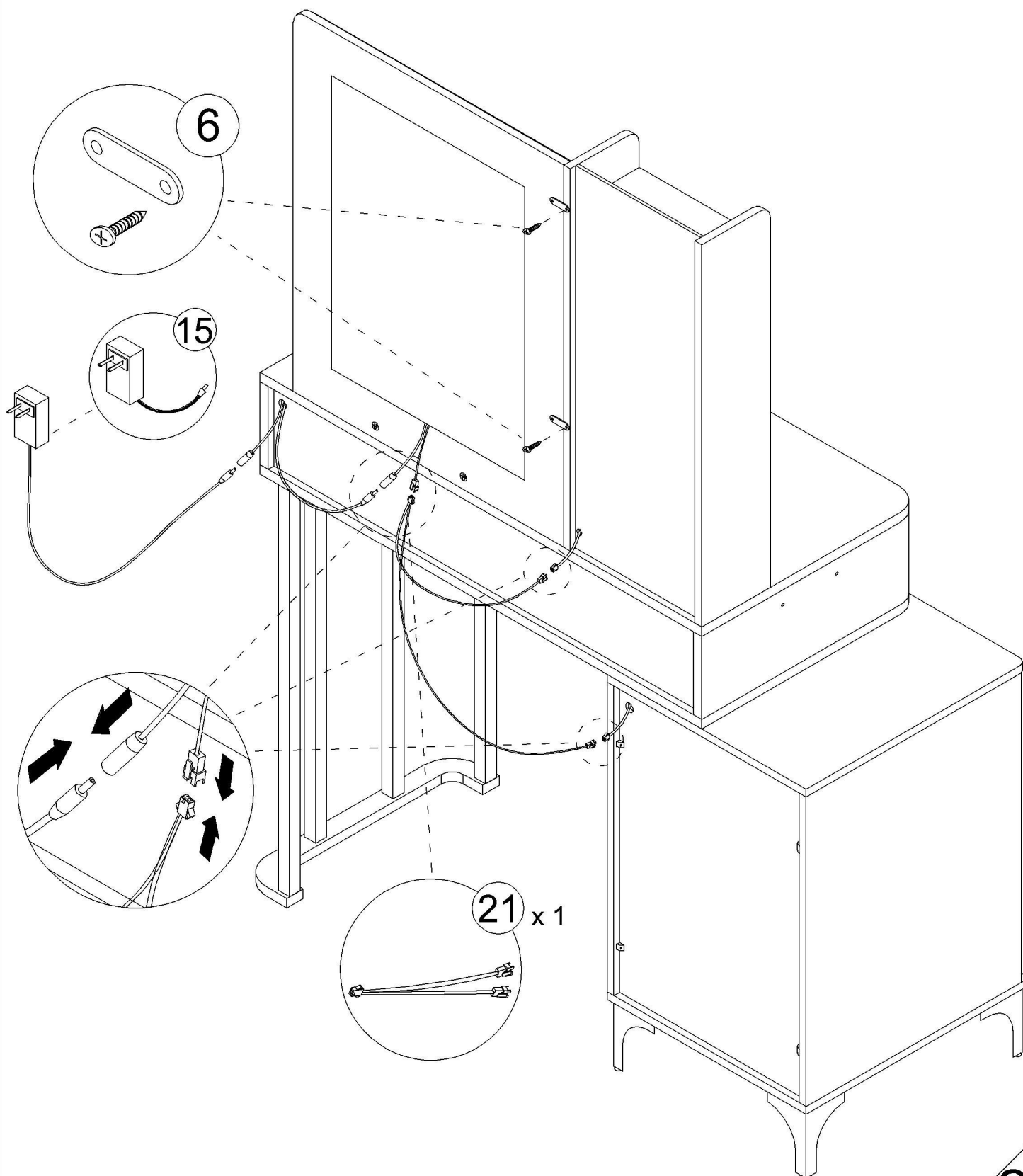
Step 22

6	 1pcs	 1pcs	x 2
14			x 1
13			x 1

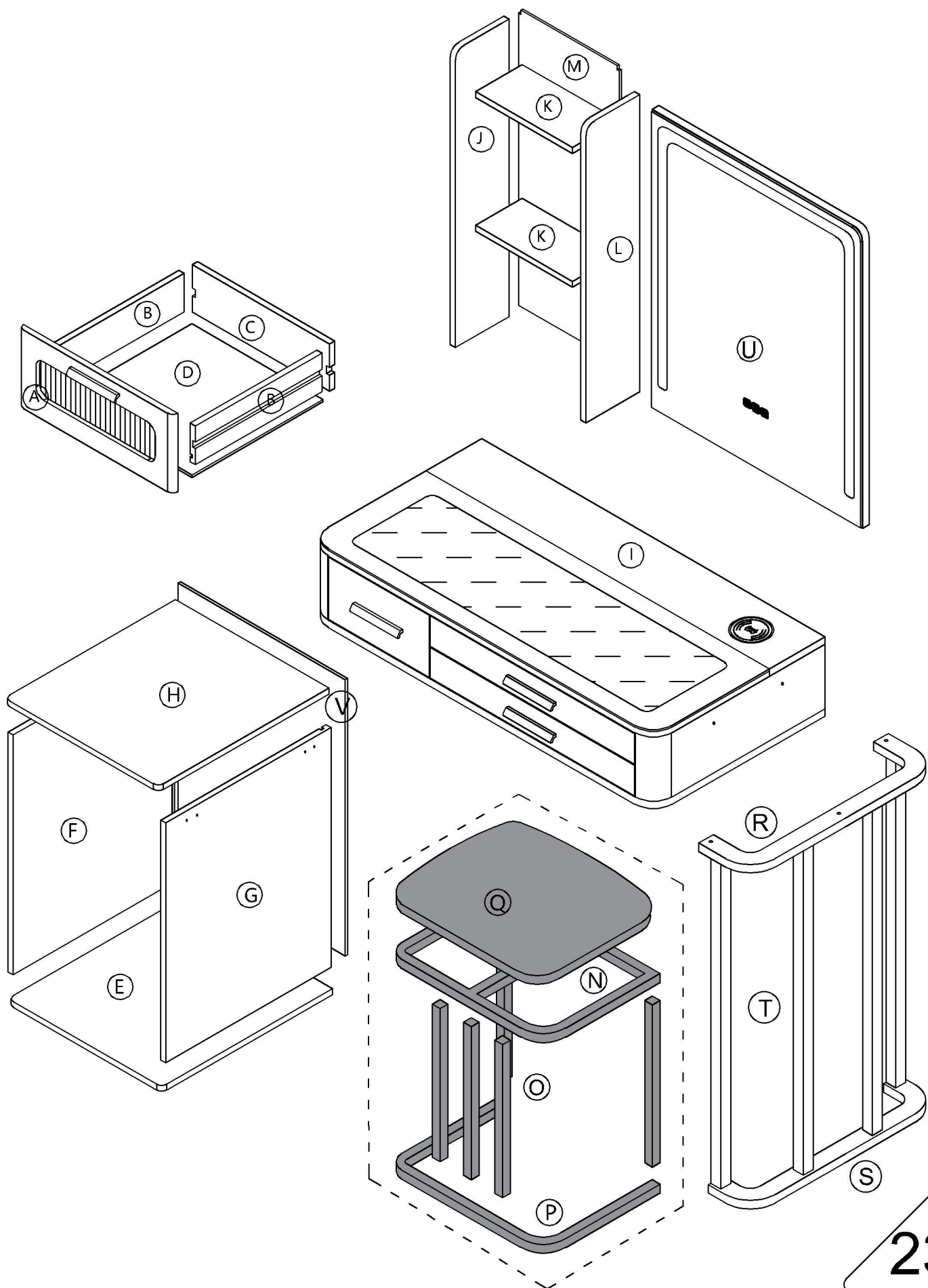


Step 23

6	 1pcs	 1pcs	x 2
21			x 1
15			1 Pcs

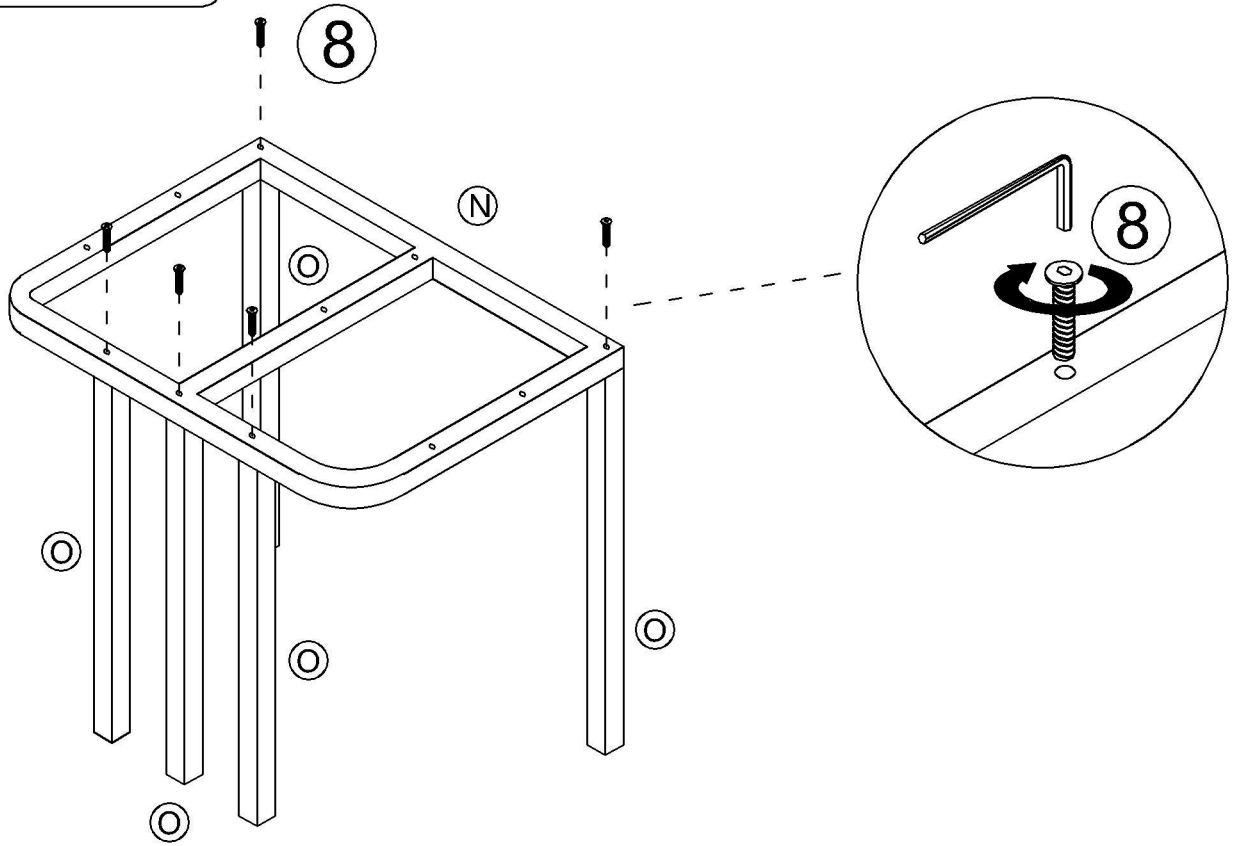


Vanity Table Manual LY85010



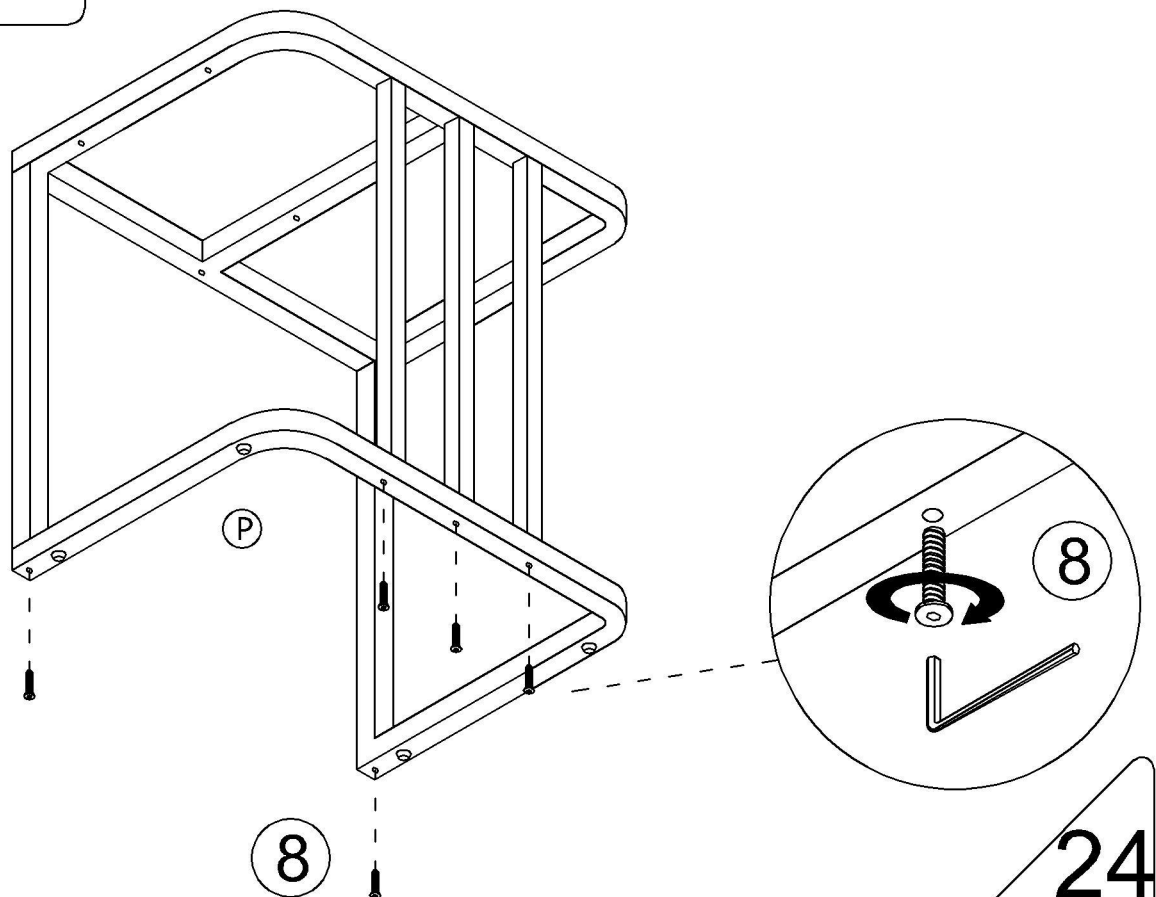
Step 24

8 x 5



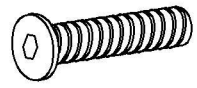
Step 25

8 x 5

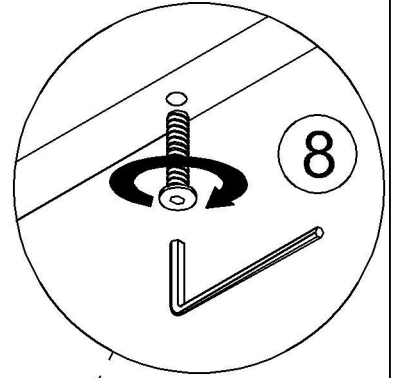
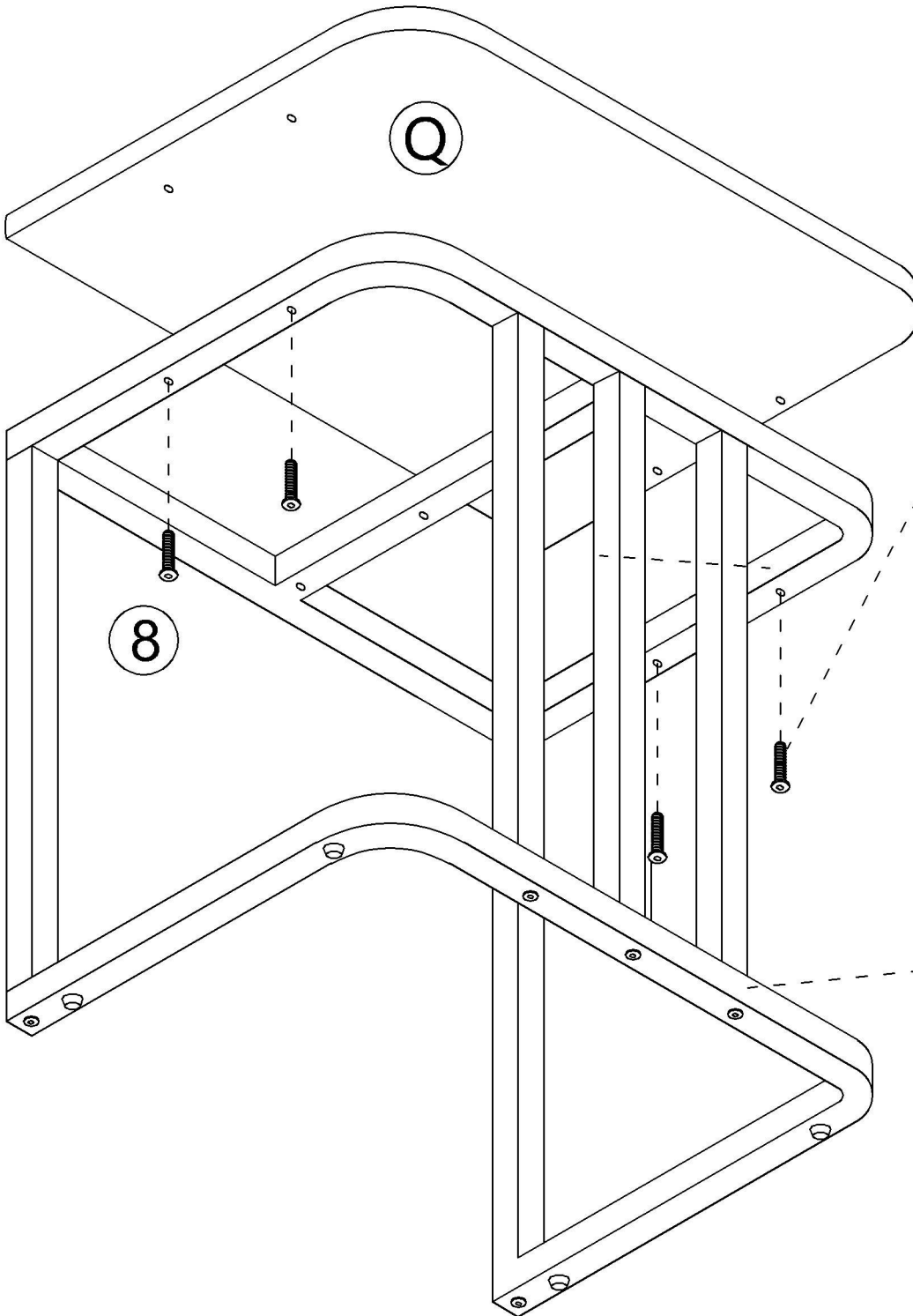


Step 26

8


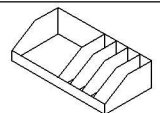


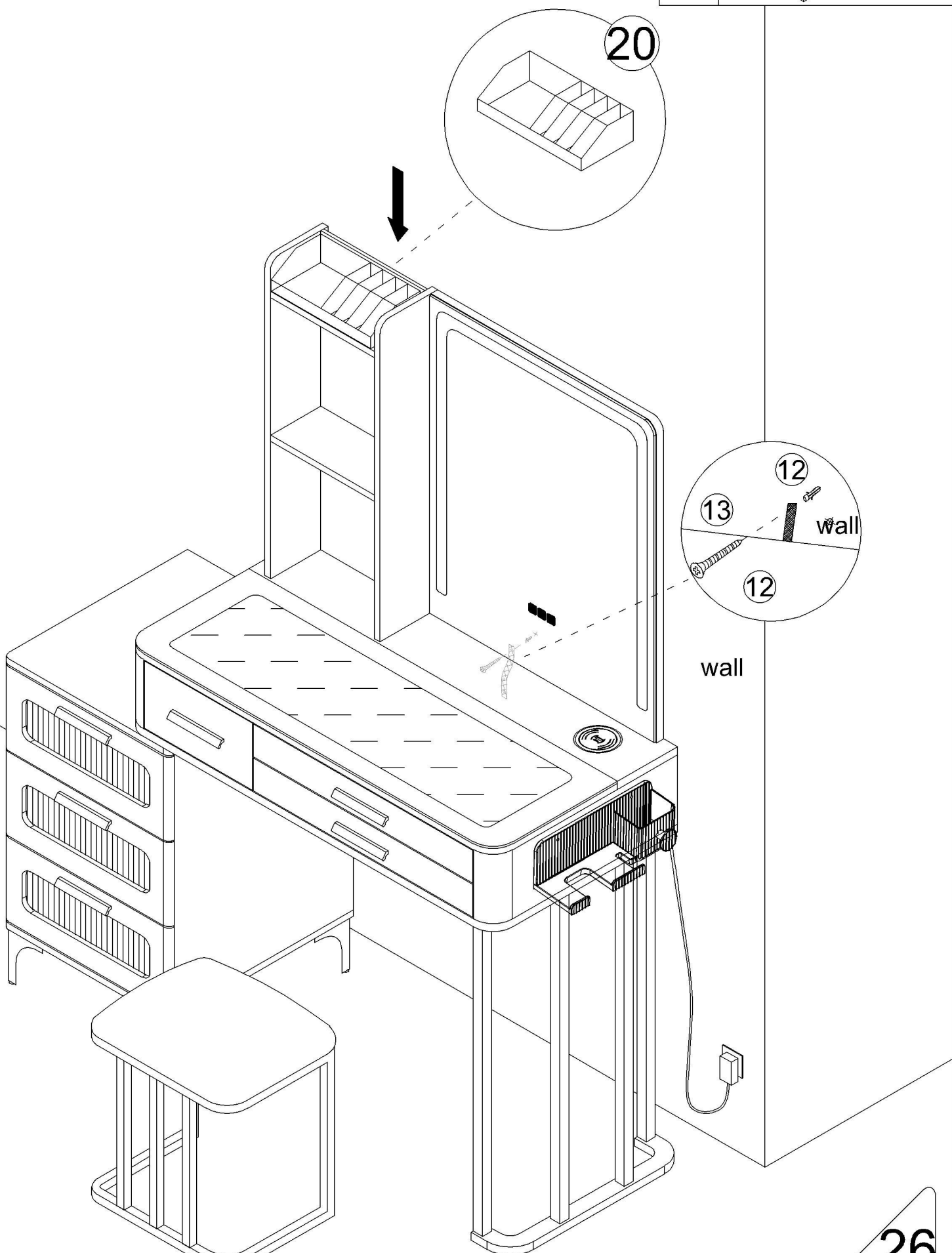
x 4



Note that the foot pad at the bottom of the iron frame R can be rotated and adjusted according to the actual situation.


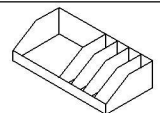
Step 27

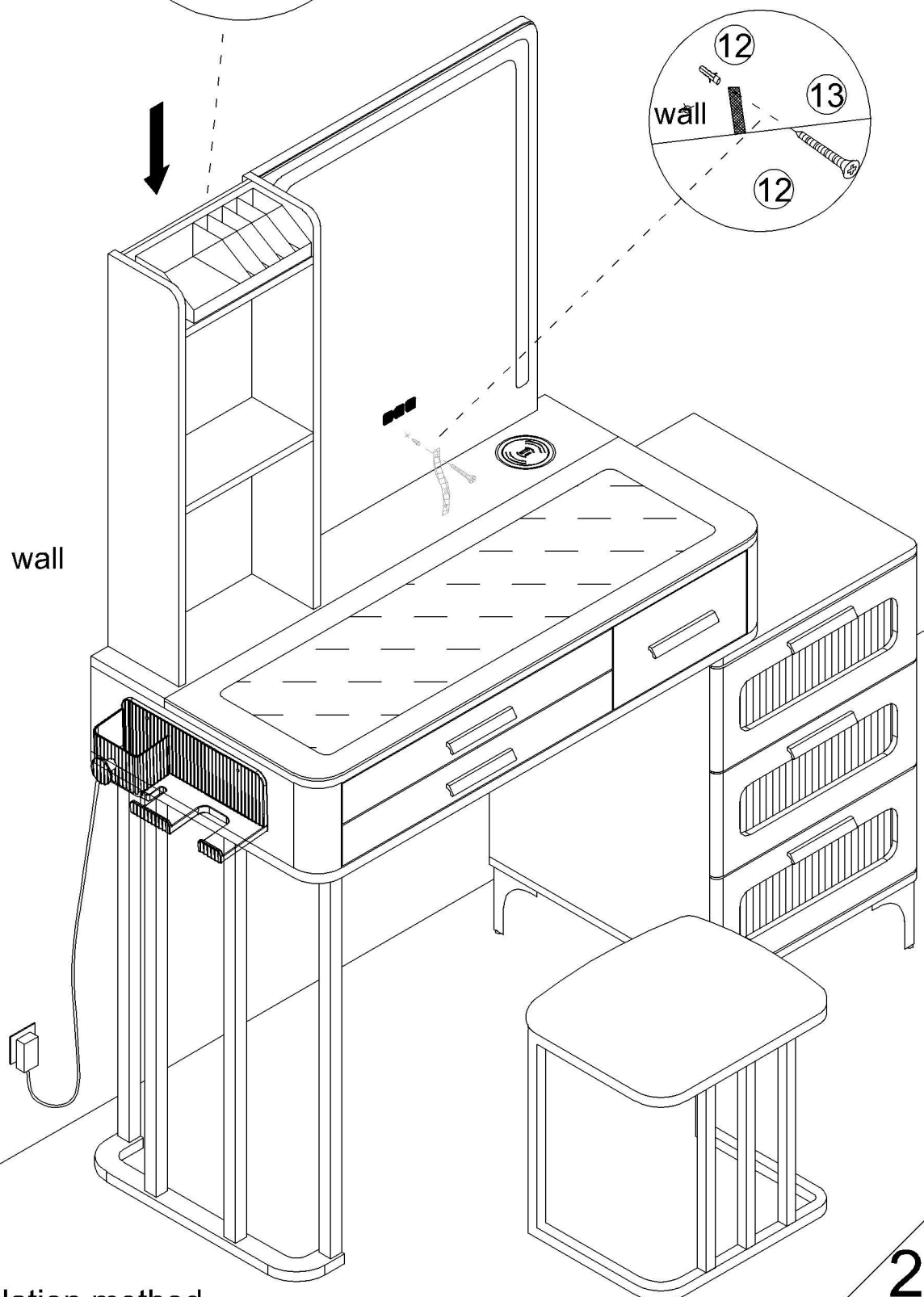
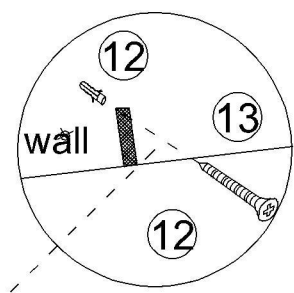
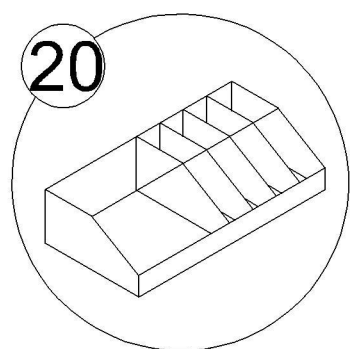
12		x 1
20		x 1



Left side installation method

Step 28

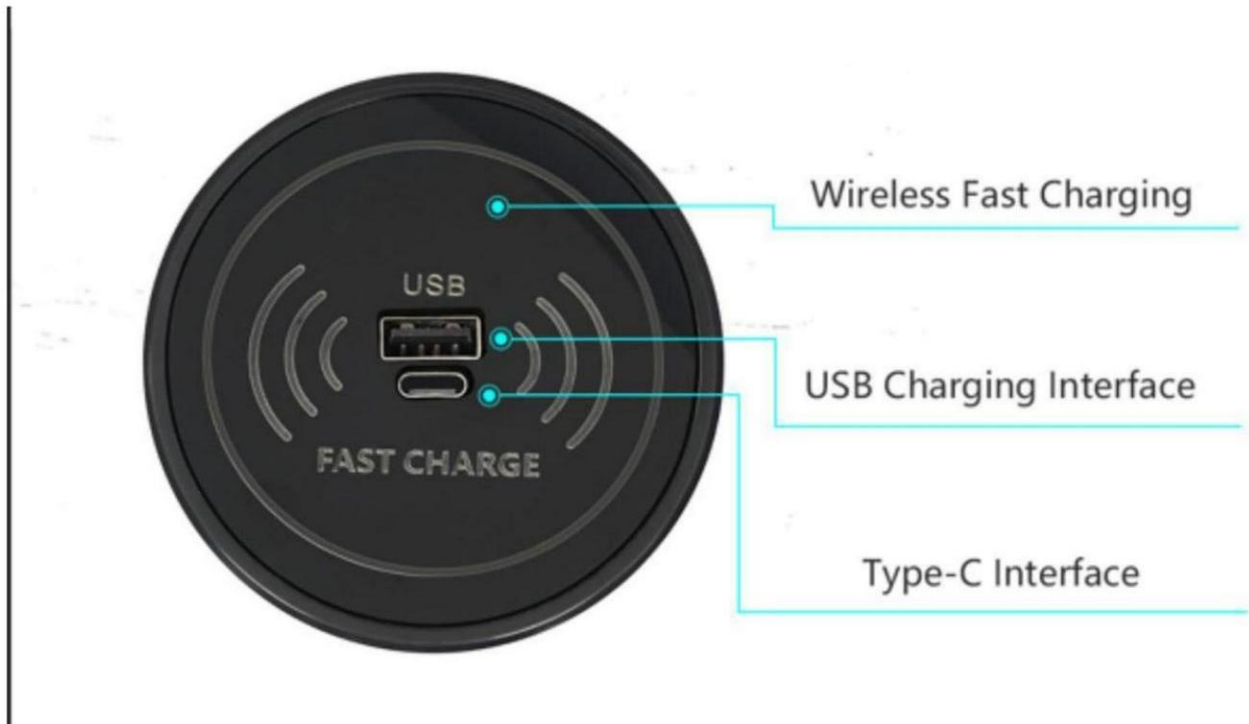
12		x 1
20		x 1



Right side installation method

15W CHARGING STATION

parameters and instructions:



Product model: 15W wireless charger

Wireless charging output: 15W/10W/7.5W/5W charging efficiency;

Wired charging output: 10W charging efficiency

Wireless charging standard: Compatible with **WPCv1.2.4** standard;

Wireless charging receiver: Support wireless-charging mobile phone and **Qi** standard receiver

Support 5W, Apple 7.5W, Samsung 10W charging

Input voltage and current: DC9-12V/2-3A

Wired USB /TYPE-C charging Power: 5V 2A, 10W

IF USB and TYPE-C charging at the same time, the charging power is 5V 1A

Working frequency: 100kHz-205kHz

Charging distance: When using wireless charging, it needs to be placed on the front of the charger. It is recommended to contact the charger at zero distance.

Safety protection: Built-in smart chip and software that effectively prevent from over-current, short-circuit, over-temperature etc.

NOTE:

1. This charging station should be kept away from high temperature ($>45^{\circ}\text{C}$) and low temperature ($<-20^{\circ}\text{C}$) environment and children.
2. Please use a soft, dry cloth to clean the surface. Chemicals, soaps or detergents are forbidden.

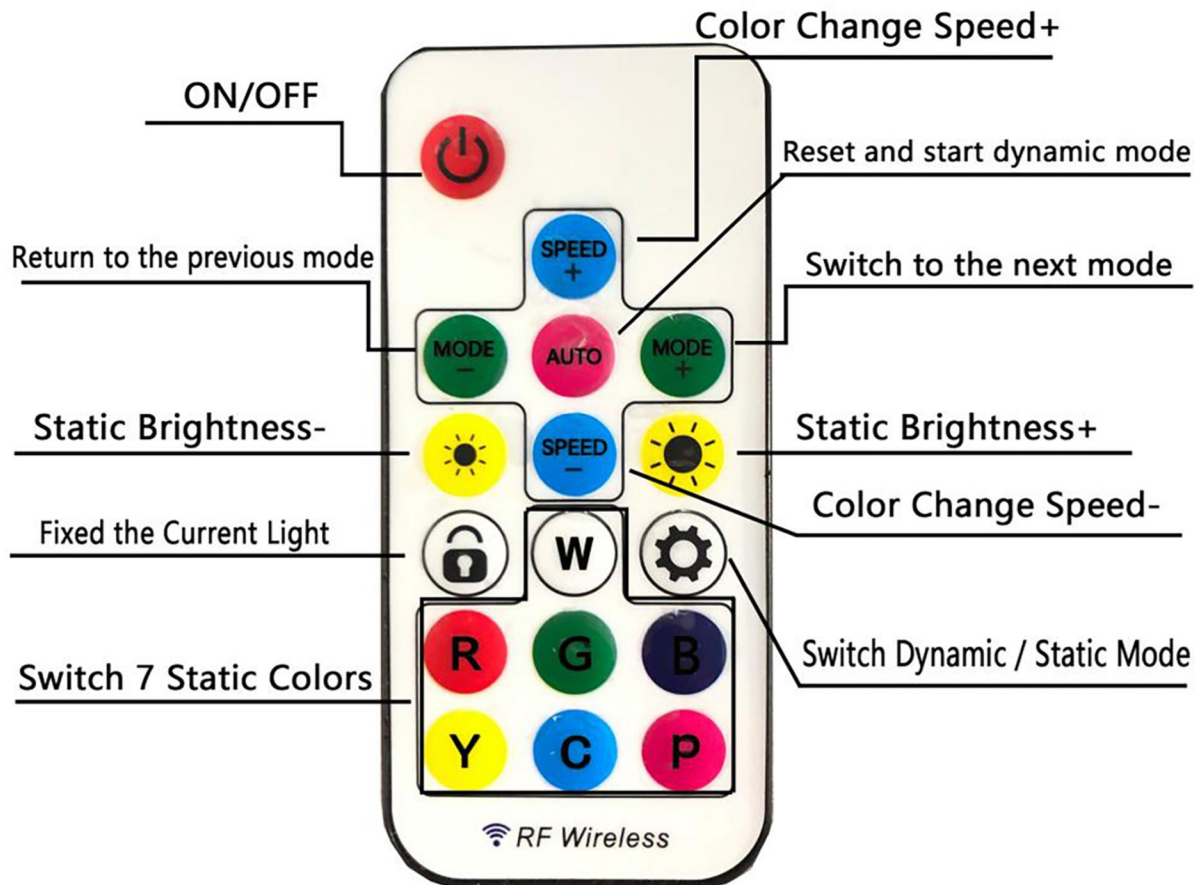
Touch button description



1. ON/OFF

2. Static Light Mode
(Long press to adjust brightness)

3. Dynamic Mode
(Long press to adjust speed)



LED Lights Controller-use instructions

Remote Battery: CR205 3V

How to use the controller?

1. After inserting the DC power adapter, you can use the remote control to control the lamp. Press the "on/Off" button to turn on the light and enter the static light mode.

Long press the "on/Off" button to turn off the light.

2. There are 7 RGB Dynamic Modes. You can press the "MODE+/-" key to choose dynamic colors that you preferred and press the "Speed+/-" key to adjust color change speed.

3. There are 7 static colors: White / Red / Green/ Blue / yellow / ice blue/ pink light. You can press the "Brightness +/-" key to adjust the brightness.

4. You can press the "lock" key to fix the color you like. When you press the "Switch Dynamic /Static Mode" key, the light will change between dynamic mode and static mode.